



1U	424
1U FLUSH	434
1U SLIM	442
1U WALL	438
2U	464
2U RECESSED	454
2U WALL	464

A	
ARCHIMEDES LED	308

B	
B4	134
B4 OUT	354
BERNARD	372
BERRIER	280, 536
BERRIER JUNIOR	264
BERRIER PENDANT	535
BERRIER SPEAKER	207
BERRIER SURFACE	206
BLOX	176
BO@L	174
BOA	231, 172
BORITI	510
BRIX	175
BRIX CEILING	396
BRIX LED IP65	392
BRIX LONG	395

C	
CEDRUS	106
CEDRUS QUANTUM	107
CHROMOS	166

D	
DADO	325
DADO S	233
DARTLING	178
DARTLING OAK	181
DIABOLO MEDIUM	216
DIABOLO SMALL	154
DICE	226
DICE EXO	138
DICE WALL	153
DIMITRI	289
DJANGO	234
DOMINO	241
DORMENT	504
DREBBEL	54
DUCTOR	448

E	
ECLIPS	119
ELITE NPG	158
ELITE XT	159
EOS LED	163

F	
FABIAN	218, 304
FABIAN OAK	220, 305
FONDA NPG	156
FORUM BEACON	382
FORUM PUCK	385
FORUM SPOT	383
FUNNEL	108
FUNNEL ELBOW	197
FUNNEL EXO	110
FUNNEL WALL	170

G	
GREG	401
GREGORIUS	399
GREGORY	400
GUARDIAN	368
GUIDO	397

H	
HABANA	168
HEB	366
HEKOWA 100 PUCK	379
HEKOWA 100 SPOT	377
HEKOWA 50 PUCK	378
HEKOWA 50 SPOT	376
HEKOWA BEACON	380
HELAX 70	91
HELAX 70 OUT	403
HELAX HALOSPHERE	94
HELAX MEDIUM	88
HELAX SML	102
HELAX SML OUT	404
HELVA	100
HUBBLE SURFACE	215
HUBBLE SUSPENDED	303

I	
INCAS	61
INTANA	57

J	
JOE DALTON	390

K	
KALEBAS	270
KAZAN	289
KING GEORGE	248

L	
LEYE	221, 307
LISDODDE	352
LUDO	476
LUZIEN	292
LUZIEN DB	293

M	
MAX 50	374
MAZ	232
MENHIR 150-250	362
MENHIR BIG 600	363
MENHIR BLUE STONE	364
MICRO ECLIPS	85
MICRO INCAS	58
MICRO OBO/UBO	
ROUND 350MA	330
MICRO OBO/UBO	
ROUND FOCUS 350MA	330
MICRO SCOOP	188
MICRO TOMMY	125
MICRO TOMMY SURFACE	229
MICRO TOMMY IP54	129
MIND THE GAP	160
MINI HELAX	87
MINI HELAX OUT	402
MINI HELVA XICATO	99
MINI INTANA XICATO	56
MINI OBO/UBO	
ROUND LED OPAL 230V	340
MINI OBO/UBO	
ROUND LED OPAL 24V	336
MINI OBO/UBO	
ROUND LED OPAL 350MA	344
MINI OBO/UBO	
ROUND LED SPOT 230V	338
MINI OBO/UBO	
ROUND LED SPOT 24V	334
MINI OBO/UBO	
ROUND LED SPOT 350MA	342
MINI OBO/UBO	
SQUARE LED OPAL 230V	340
MINI OBO/UBO	
SQUARE LED OPAL 24V	336

MINI OBO/UBO	
SQUARE LED OPAL 350MA	344
MINI OBO/UBO	
SQUARE LED SPOT 230V	338
MINI OBO/UBO	
SQUARE LED SPOT 24V	334
MINI OBO/UBO	
SQUARE LED SPOT 350MA	342
MINI OBO/UBO	
XICATO 350MA	347
MINI PROJEXXAR	65
MINI PROJEXXAR	66
MINI SCOOP DEIMOS	192, 542
MINI TOMMY	140
MINI TOMMY TRIMLESS	70

N	
NELSON SURFACE	223
NELSON SUSPENDED	286
NELSON TRACK	545
NOBEL	258
NOBEL ELBOW	184
NOBEL PI	260
NOBEL OAK PI	261
NOBEL SFEROS	82
NUTS	272

O	
ODIL	238
ODILON	137
OLIJF	290, 532
ORBITAL	33
OSCAR	488

P	
PANDORA	236
PARIS	278, 530
PROTUT	408
PRINCESS ANNA	254

Q	
QUAD	130
QUEEN ELIZABETH	252

R	
ROBAN	210, 298
ROBAN OAK	210, 301
ROBBER	360
ROLLO SURFACE	212
ROLLO SUSPENDED	302

ROSEAU FLOOR	318, 358
ROSEAU PIN	356

S	
SIGMA	524
SIMPLON	116
SNAKE	320
SOLID	113
SPINA	96,
SPINA ELBOW	203, 538
SPINA ON	198
SPINA ON SPLASH	201
SPINOLA	276
SURFACE KITS	242

T	
TAGLIO	418
TELESCOOP SURFACE	222
TELESCOOP SUSPENDED	284
TELESCOOP SUSPENDED M10	286
TELESCOOP TRACK	544
THOR	208, 288
TIMBER	221, 306
TOMMY	145
TOMMY TRIMLESS	74
TOOTEM BEACON	388
TOOTEM PUCK	386

V	
VIENNA	256

W	
WINSTON	268, 529
WODAN BEAUFORT ²	
.....	224, 324, 310, 528

TAL

TECHNICAL
ARCHITECTURAL
LIGHTING



TAL Belgium (headquarters)

Moortelmeers 23, 8740 Pittem

Tel +32 (0)51 46 43 41 • Fax +32 (0)51 46 43 42

info@tal.be • www.tal.be

TAL Kuwait

Shuwaikh Industrial Area - SunCity Complex, Block-B, Mezzanine Floor,

Office No 19 & 22 P O BOX : 887 Qortoba 73508 Kuwait

Tel +965 22241201 • Tel +965 22241202 • Fax +965 24919230

tal-kuwait@tal-lighting.net

TAL dealers, see website

All rights reserved

The information in this catalogue is provided without liability.

All TAL products are supplied without lamps.

TAL reserves the right to change materials, characteristics and dimensions without prior notice.

Read all instructions carefully. TAL general conditions of sale apply.

Nothing in this catalogue may be reproduced without written permission from TAL.

This catalogue supersedes and replaces all previous catalogues.

Printed with vegetable-based ink.

Concept & Creation: Tal nv

Photography: toope.be

Responsible publisher: Karel Festjens

Special thanks to the complete TAL-team

“You might call us light addicts... light is vital, it needs to be functional, efficient, controllable but at the same time we need light for our well-being, as a creator of colour, warmth and atmosphere...”

TAL's mission is one of technical and aesthetical innovation. Groundbreaking technology can be found in our Halosphere, Beaufort, Beaufort², Haloled and Orbital series. We take pride in exquisite collections such as our all-time favorite Black & Gold, Think Small., Cu₂₉, the natural ensemble of Dalsgaard and our Layers collection. For many of our outstanding products and collections, we have collaborated with reputable designers such as Sylvain Willenz and Bruno Erpicum. The above mentioned product families, technology and collections are witness to our mission and they are paving the way to a constant growth and success.

TAL has a total dedication to quality but for us, this word is interpreted in the broadest sense possible. This not only entails the use of the best available materials and finishes but also covers topics such as innovation, competitive pricing, good deliveries, attractive and user-friendly catalogue material, support both pre- and post sales and the flexibility to constantly produce trendsetting and exciting designs.



King George
collection



Orbital
collection



New
collection



Cu₂₉
collection



Black+Gold
collection



Dalsgaard
collection



Think Small
collection



Layers
collection



Beaufort
technology

2



Beaufort²
technology



Haloled
technology

Collections


**King
George**

DESIGN BY MICHEL DE NYN



Visit our website
and compose your
own King George.

www.tal.be/kinggeorge



KING GEORGE VIII **TEXT.BLACK**

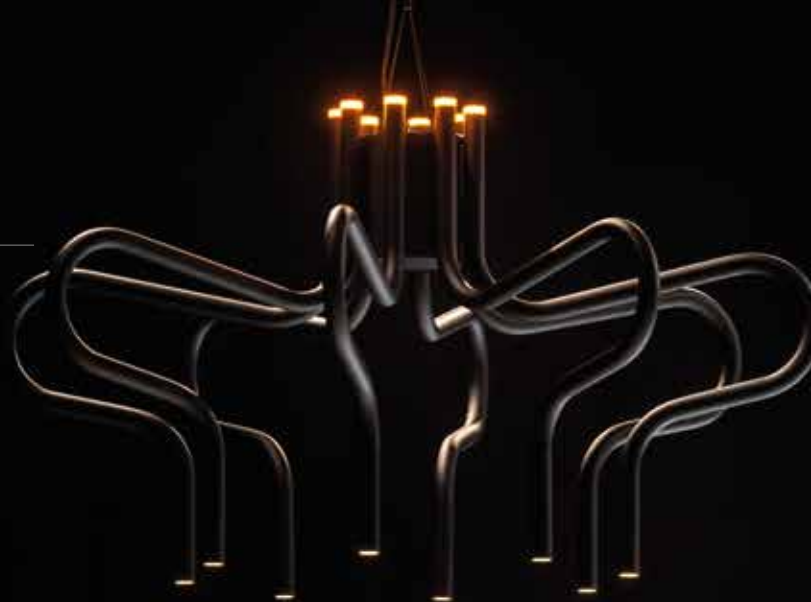
(GOLD FOCUS DOWN 2700K +
BLACK&FROSTED UP AMBER)

435986

KING GEORGE XII **TEXT.BLACK**

(GOLD FOCUS DOWN 2700K +
BLACK&FROSTED UP AMBER)

435926



With KING GEORGE, TAL has gone all out with its contemporary interpretation of the classical chandelier.

The idea: you take a luxurious chandelier and strip it of all its frills and glitz and a brand-new light fitting appears. TAL takes this idea very far; in the case of KING GEORGE only the outlines of the chandelier remain, and all the lighting fits in the design itself. KING GEORGE is a jewel of simplicity, purity and technical ingenuity.

The design of the chandelier consists of several pipes. Of course, as it befits a majestic light fitting, the light this chandelier emits comes from the latest state-of-the-art LED technology. There are three different versions of the chandelier available, analogous to the number of their arms: KING GEORGE XII has twelve pipes, KING GEORGE VIII and KING GEORGE VI have eight and six pipes respectively. The arms are finished with a texture finish which provides it with a clean, yet tactile effect.

Less is more, you would think? Not quite. Even though KING GEORGE has a sleek design, TAL still offers the customer the opportunity to tweak this chandelier to their own liking. For a start, this can be done by choosing

the finish in any desired colour; imagine an entirely black version like a tarantula weaving its frightful web down from the ceiling. Adjustments to the pipes are also possible. For example: an end part in a different colour or texture (for instance chrome to embellish the crown with some bling) may be fitted, both on top and at the bottom. And even more splendour may be added to the chandelier by fitting the KING GEORGE with modern lampshades. Another idea would be to fix special light switches to the arms, which causes the light no longer to emanate from the pipes but from the crown caps. In short, there are numerous possibilities to create a unique KING GEORGE.

In addition to its illuminating quality, a chandelier also has a decorative function and this is very much true for the KING GEORGE, too. A modern or pimped KING GEORGE will add a royal touch to both modern and the more classic interiors.

Collections



QUEEN ELIZABETH

You heard right, the KING has found himself a spouse:
QUEEN ELIZABETH.

This chandelier retains the formal vocabulary and design of its spouse
but is a bit smaller in diameter and proportion.

As a result, Queen Elizabeth fits well within compact interiors too.
People say its shape resembles that of a crinoline but feel free to judge
for yourself.



PRINCESS ANNA

Hear ye, Hear ye! A royal baby has been born. We welcome with honorably duty Princess Anna, weighing 7 kg. Our beautiful princess is the first born of His Royal Highness King George and Her Majesty Queen Elizabeth. This love child was bound to happen and will prove to be a truly exceptional one. Whereas her parents both have an equal number of arms, Princess Anna consists of five arms and is thus always asymmetrical.

The princess has the same majestic appearance as the King and Queen and shines her light upwards as well as downwards. Her splendour comes from the latest state-of-the-art LED technology and she can be equipped with a special diffuser in order to avoid dark spots when used above a table. May Princess Anna be long lived and shine her glorious light upon her humble disciples.



Visit our website and compose your own Queen Elizabeth or Princess Anna.

www.tal.be/kinggeorge

Collections

New products



B4 NPG 134



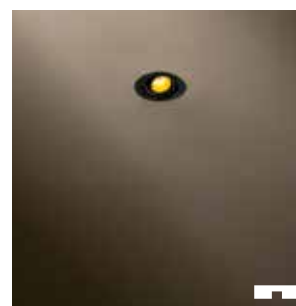
CEDRUS QUANTUM 107



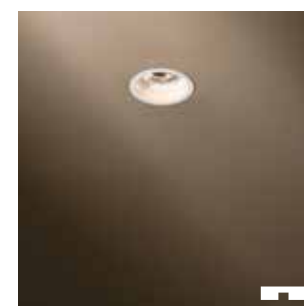
FORUM BEACON 382



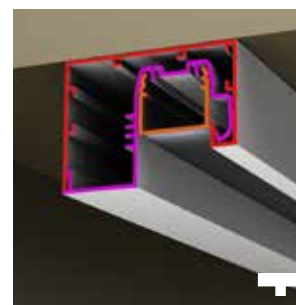
FUNNEL EXO 110



MICRO ECLIPS 85



MINI HELVA XICATO 99



OSCAR 488



PRINCESS ANNA 254



DARTLING OAK 181



DIABOLO MEDIUM 216



DIABOLO SMALL 154



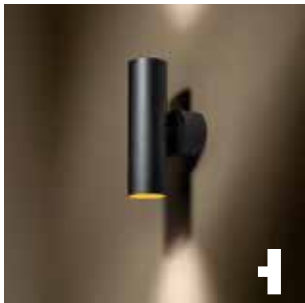
DICE EXO 138



DICE WALL 153



DOMINO SFEROS 241



FUNNEL WALL 170



HEKOWA BEACON 380



HELAX HALOSPHERE 94



LEYE 221



LISDODDE 352



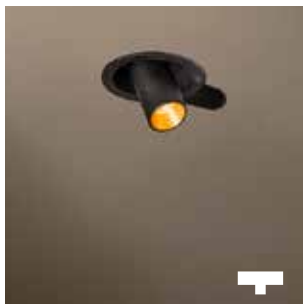
LUDO 476



MINI INTANA XICATO 56



MINI SCOOP DEIMOS 192



NOBEL SFEROS 82



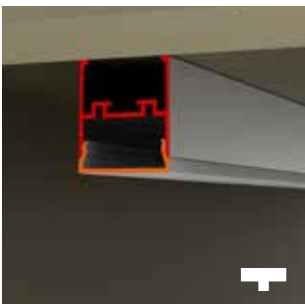
ODILNPG 238



ODILON NPG 137



ORBITAL ORBITAL



PROTUT 408



SPINA ON SPLASH 201



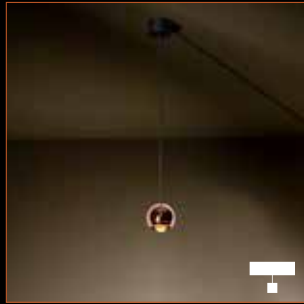
TOOTEM BEACON 388

Collections

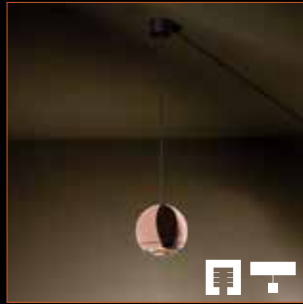


Cu₂₉

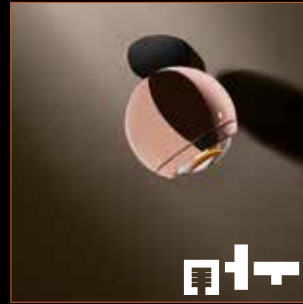




BERRIER JUNIOR 264



BERRIER 280



BERRIER SURFACE 206



BLOX 176



DARTLING 178



HABANA 168



KALEBAS 270



LUZIEN 292



MICRO SCOOP 188



NELSON SUSPENDED 286



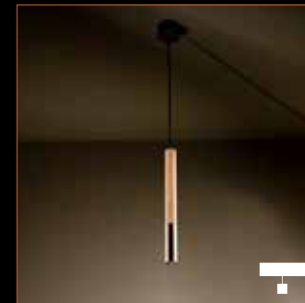
NELSON 223



NOBEL/ELBOW 258



NOBEL PI 261



NOBEL OAK PI 260



NUTS 272



PARIS 278



ROLLO 212



ROLLO SUSPENDED 302



SNAKE 320



SPINOLA 276

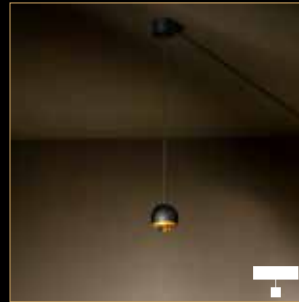
Collections

Black
GOLD reflector

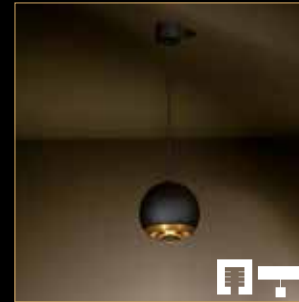


BLACK
+GOLD

Black on the outside
Gold on the inside



BERRIER JUNIOR 264



BERRIER 280



BERRIER SURFACE 206



BOA 231



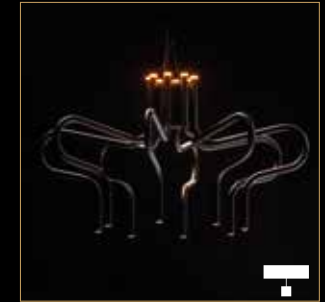
FUNNEL WALL 170



HABANA 168



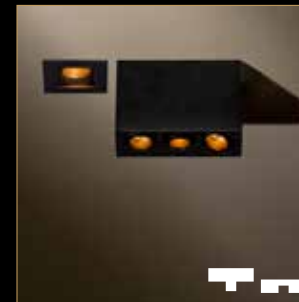
KAZAN 289



KING GEORGE 248



MICRO OBO/UBO 330



MICRO TOMMY/CEILING 125-229



MIND THE GAP 160



MINI TOMMY 70 - 140



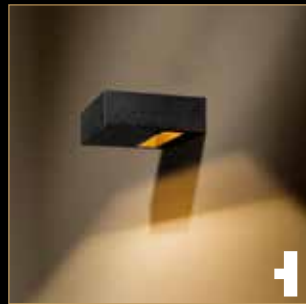
SPINA 96 - 198 - 201 - 203



SPINOLA 276



BOA WALL 172



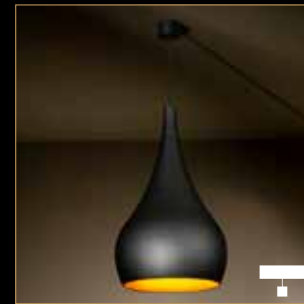
BOQL 174



BLOX 176



DARTLING/OAK 178



DIMITRI 289



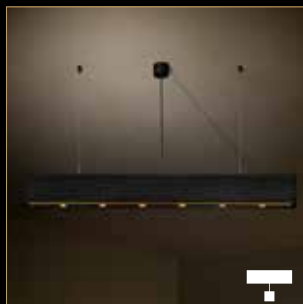
EOS 163



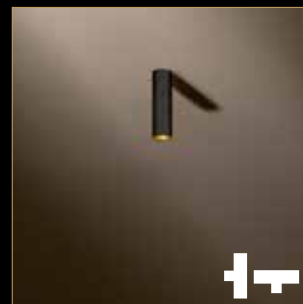
LUZIEN 292



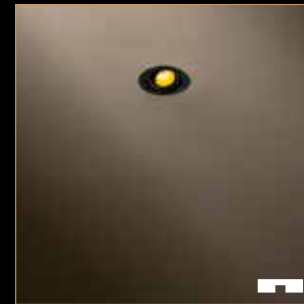
LEYE 221



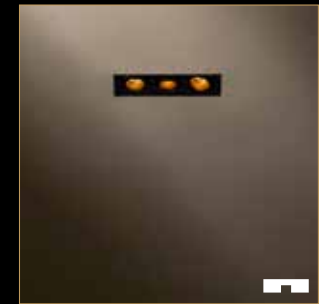
LEYE SUSPENDED 307



MICRO SCOOP 188



MICRO ECLIPS 85



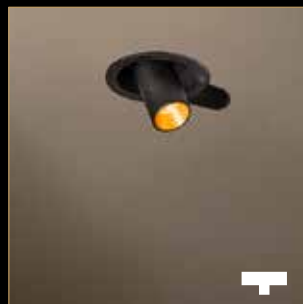
MICRO INCAS 58



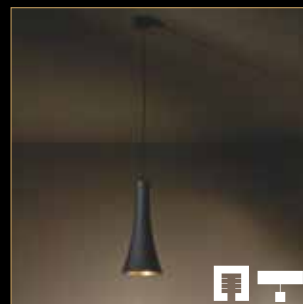
NOBEL ELBOW 184 - 187



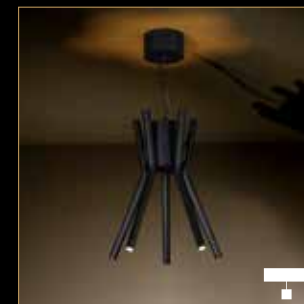
NOBEL/NOBEL PI 258



NOBEL SFEROS 82



PARIS 278



PRINCESS ANNA 254



ROBAN 210 - 298

GOLD ANO
CEDRUS 106
DREBBEL 54

BRASS
KALEBAS 271
NELSON 223 - 286
ROBAN OAK 210 - 301
ROLLO 212 - 302

24K GOLD
BERRIER NXT 206
BERRIER JUNIOR 264
BERRIER SUSPENDED 280
BERRIER ON TRACK 535 - 536
DIABOLO S 154
NOBEL 258
NOBEL ELBOW 184 - 187
NOBEL PI 260 - 261
NUTS 272 - 274
OLIJF 290
SNAKE 320

Collections



DALSGAARD

Selected out of an oak forest, deep woodgrains.
Embracing a soft comforting light.

ex-defender - SV Zulte Waregem

HENRIK DALSGAARD

27 july 1989 - Viborg, Denmark - 1,92 m - 81 kg

On March 9, 2016, following an impressive start at Zulte Waregem, Dalsgaard was, for the first time ever, selected for the Denmark national football team. He made his debut against Iceland in a friendly on March 24, 2016, playing all 90 minutes in the 2-1 win.



DARTLING OAK 181



FABIAN PENDANT 305



FABIAN SURFACE 220



KALEBAS 270



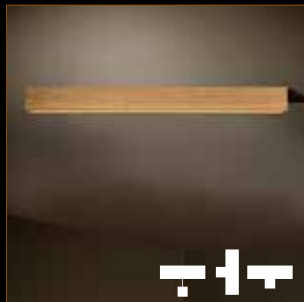
NOBEL OAK PI 260



ROBAN PENDANT 301



ROBAN SURFACE 210



TIMBER 221



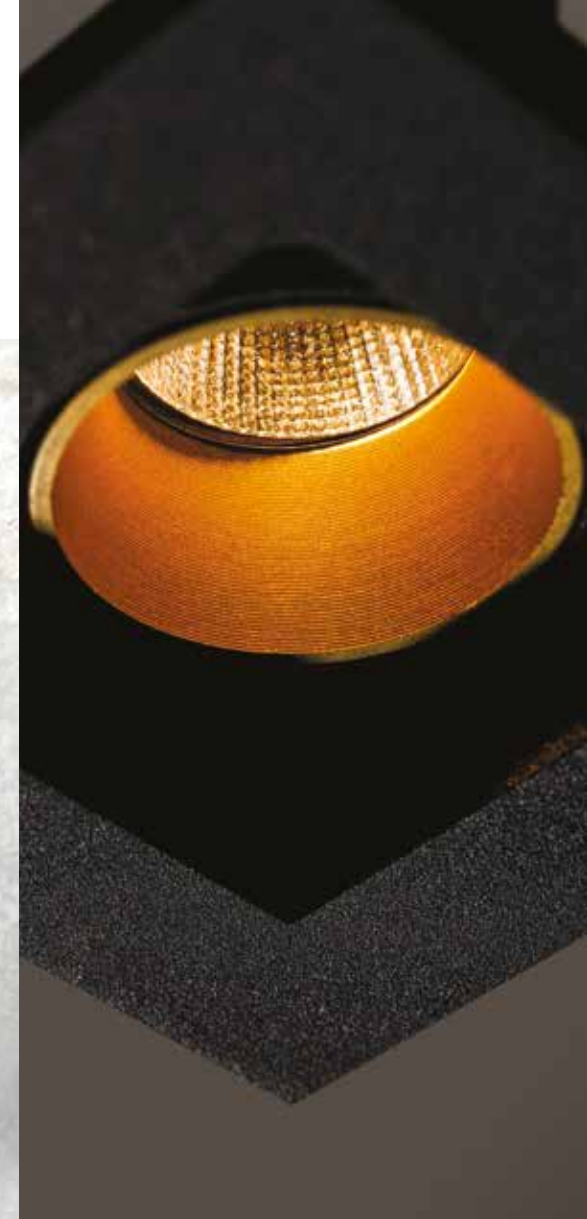
VIENNA 256



Collections



THINKsmall

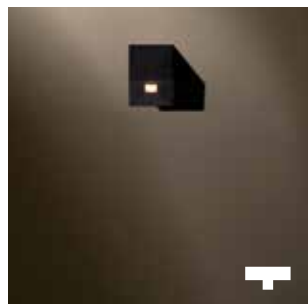


Pure Renaissance. As if designed by Michelangelo himself.





BARRIER JUNIOR 264



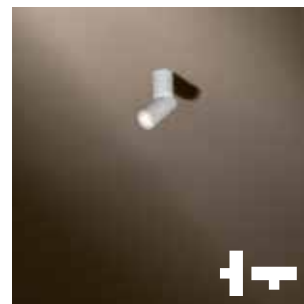
DICE 226



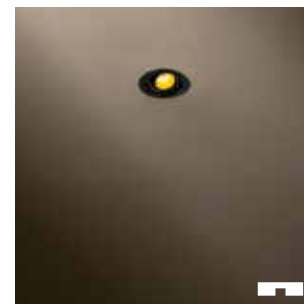
DICE EXO 138



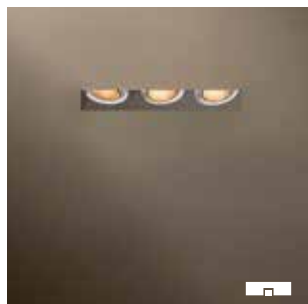
HABANA 168



MICRO SCOOP 188



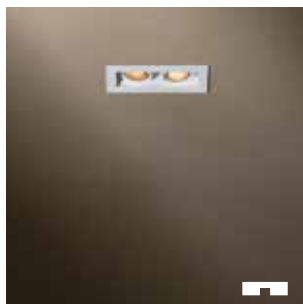
MICRO ECLIPS 85



MICRO INCAS 3 58



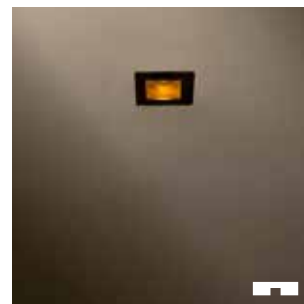
MICRO OBO / MICRO UBO 330



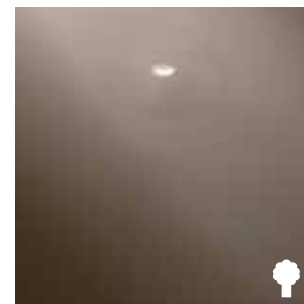
MICRO TOMMY 125



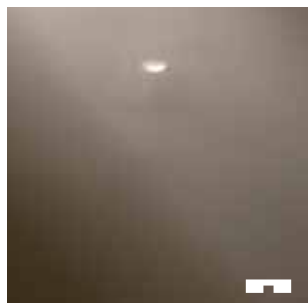
MICRO TOMMY SURFACE 228



MICRO TOMMY IP 54 129



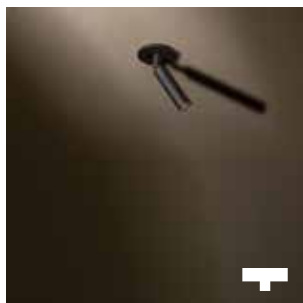
MINI HELAX OUT 402



MINI HELAX 87



NOBEL 258



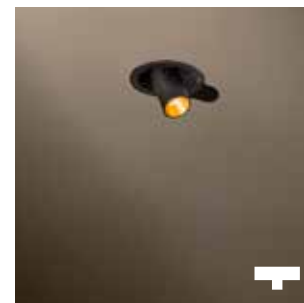
NOBEL ELBOW 184



NOBEL PI 261



NOBEL OAK PI 260



NOBEL SFEROS 82

LAYERS



◀ TELESCOOP SUSPENDED
TEXTURED BLACK

▲ TELESCOOP SURFACE
TEXTURED BLACK



▲ ROLLO SUSPENDED
TEXTURED WHITE + BRASS



◀ ROLLO SUSPENDED
TEXT. WHITE + BRASS



SYLVAIN
WILLENZ
—
DESIGN
OFFICE

LAYERS COLLECTION

'Layers' refers to the design project of lighting company TAL and reputable designer Sylvain Willenz.

Before Willenz got to work, he defined TAL's DNA - TAL is known for its technical knowhow. To this DNA he added a new applicable dimension. "By playing with shapes, materials, dimensions and technique 'layers' are formed. The designs express their finesse through these different layers," the designer explains.

The collection looks quite simple in the first instance. "That is just an illusion," says Willenz. "Its complexity is hidden within the designs' layers. Its flexibility is likewise contained in the various layers which the lighting is composed of."



NELSON SUSPENDED 286



NELSON SUSPENDED M10 286



NELSON SURFACE 223



NELSON TRACK 545



TELESCOOP SUSPENDED 284



TELESCOOP SUSPENDED M10 286



TELESCOOP SURFACE 222



TELESCOOP TRACK 544



ROLLO SUSPENDED 302



ROLLO SURFACE 212



HUBBLE SUSPENDED 303



HUBBLE SURFACE 215

Technology

BEAU FORT

2700K	6,22W	758 lm	≈121 lm/W	180mA
3000K	6,22W	793 lm	≈127 lm/W	180mA

CRI92



CEDRUS 106



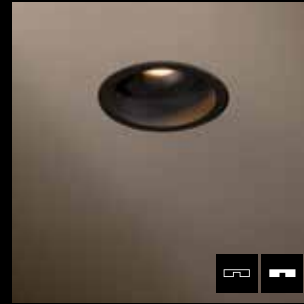
DOMINO 241



ECLIPS ROUND 119



ECLIPS SQUARE 119



HELVA 100



INCAS 61



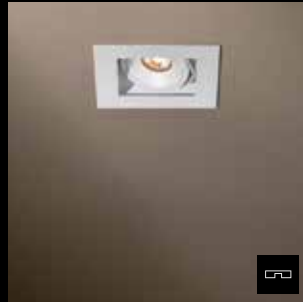
INTANA 57



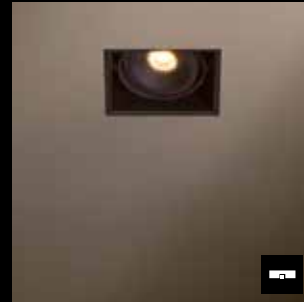
MINI PROJEXAR 65



MINI RASPUTIN 66



MINI TOMMY 140



MINI TOMMY TRIMLESS 70



QUAD 130



QUAD ASSYMETRIC 133



SIMPLON 116

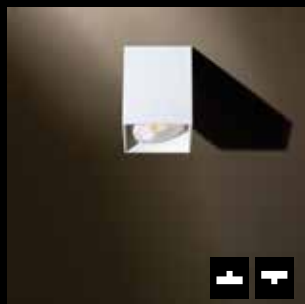
BEAU FORT

Two light colours available

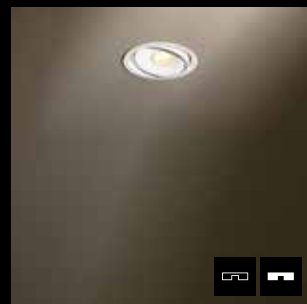
BEAUFORT² is available in two colour temperatures. You may opt for 3000K, which is a warm white light and perfect for the project market as general or accent lighting. Alternatively you may choose 2700K which provides more gentle light and therefore is more suitable for hospitality and residential applications.

A++ Label

The Beaufort² technology is efficient to such extent that in fact it is one of the first light sources Europe has granted the A++ label. The Beaufort² module can be driven up to 500mA. At 500mA it will provide about 2000lumen, which comes down to an efficiency of more than 110lumen/W. Provided the Beaufort² module is driven at 350mA it will still provide 1500lumen, which equals an efficiency of 115lumen/W.



DADO 233



ECLIPS 120



HELAX SML 105



INCAS 63



ROBAN 211



ROBAN SUSPENDED 298



THOR 208



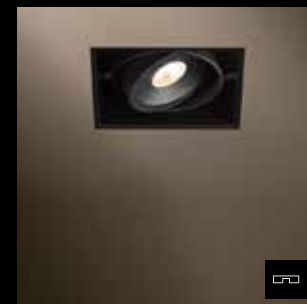
THOR TWIN 209



THOR SUSPENDED 288



SURFACE KITS + TOMMY 243



TOMMY TRIMLESS 74



TOMMY 145



WODAN TRACK 528



WODAN 224 - 324 - 310

Technology



After Beaufort and its successor Beaufort², TAL once again develops pioneering LED technology. This time Haloted is introduced, a technology that combines the looks of a halogen lamp, more specifically a QR-C51 lamp, with all the advantages of LED lamps. It is not a coincidence that the name 'Haloted' is a compound consisting of the words 'halogen' and 'LED'.



Luxeon M

Do not be mistaken: the Haloted certainly does use LEDs. High-quality LEDs, as one would expect from TAL. As with the Think Small. collection, TAL uses a specific type of LEDs for the LUXEON collection which yields a particularly high level of light quality and energy efficiency. In addition, LUXEON M equals 'freedom from binning', which means that the LEDs are so uniform that the same light colour is guaranteed throughout the entire project. In short, LUXEON M has all the essential factors that allow a lighting manufacturer such as TAL to work on creating an innovative lighting solution.

Back to the future

Therefore, it should come as no surprise that a technology like Haloted sees the light of day. Consumers can hardly keep up with the evolution in the field of LEDs. Today there is a suitable LED-based solution for every application. Using a technology like 'Haloted', TAL offers consumers the ultimate alternative to traditional lighting solutions such as

the halogen lamps we know from the olden days. Haloted combines LED, lens and cooling module and is perfectly integrated into the device. You no longer need to scour shop shelves in search of that one suitable lamp.

The consumer has a fully finished product at his disposal without having to worry about its lifespan. Furthermore, we can substantially limit the installation depth thanks to this LED module. Because of this limited installation depth, a device with Haloted is ideally suited for passive houses. A device containing Haloted technology can be controlled at 700 mA, yielding 725 lumen. With a Vf (Forward Voltage) of only 11.2, more than one device can easily be connected to one convertor. Haloted produces a warm, pleasant 2700K light (3000K is available on request) at a lovely 36° beam angle, as is the case with the popular QR-C51 lamp.

The Haloted technology is currently available in Simplon, Solid and Funnel products, but will in future also be implemented in various other TAL devices.

Haloled



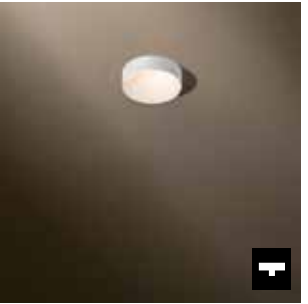
DJANGO 234



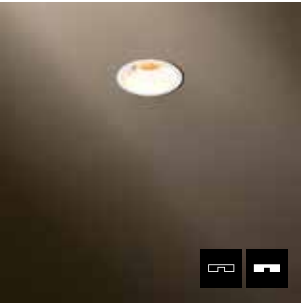
DREBBEL 54



FUNNEL ELBOW 197



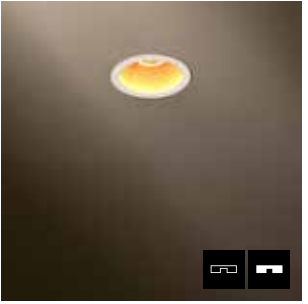
FUNNEL EXO 110



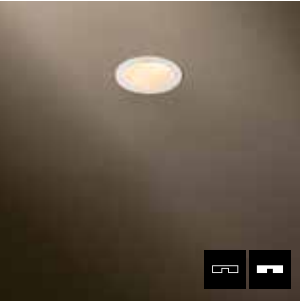
FUNNEL FIX/FLEX 108



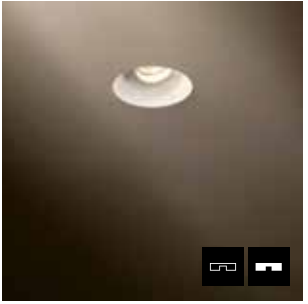
HELAX 70 91



HELAX SML 104



HELAX OUT 403



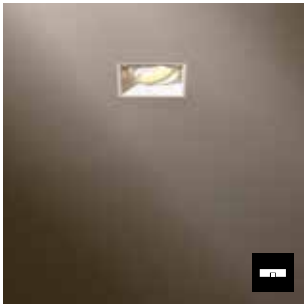
INTANA 57



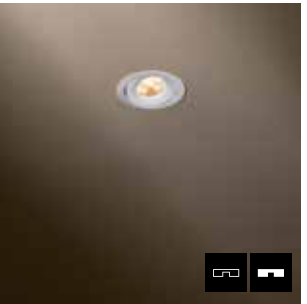
MINI RASPUTIN 69



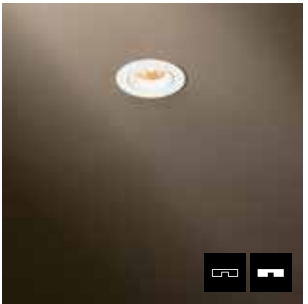
MINI TOMMY 143



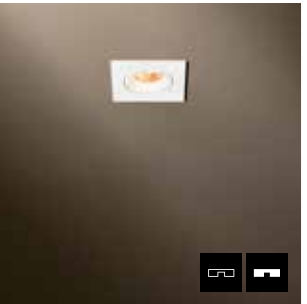
MINI TOMMY TRIMLESS 73



SIMPLON 118



SOLID ROUND 113



SOLID SQUARE 115



SPINA 96



SPINA ELBOW 203



SPINA ELBOW TRACK 538



SPINA ON 198



SPINOLA 276

how to use

Lamp type | **Product name** | **Application**

TOMMY 1 BEAUFORT²

Accessory | **Product dimensions** | **Energy label** | **Lamp type + power** | **Supply** | **Dim protocol** | **Light output** | **Adjustability**

CITIZEN 18W
max. 500mA DC
dimmable PWM
2000 lumen
↻ 30° ↻ 30°

A++

Cut out dimensions | **Finish of the product** | **Obligatory accessories to be ordered separately** | **Color temperature (for LED only)** | **Beam angle** | **Reference number** | **Cut out dimensions** | **Reference number/page number** | **Features**

	2700K		3000K	
	35°	70°	35°	70°
TEXT. WHITE	740137	740117	740138	740118
TEXT. BLACK	108146	108136	108147	108137

○ **FRAME FOR PLASTER** 700109 185 x 185 x 120 mm
 ○ **FRAME + BOX FOR VISIBLE CONCRETE** 702010 230 x 305 x 170 mm
 ○ **FRAME FOR PLASTERED CONCRETE (3 MM)** 702012 316 x H 120 mm
 ○ **SURFACE KIT LARGE 1 CI 500mA TEXT.WHITE** 796628 p.299
 ○ **SURFACE KIT LARGE 1 CI 500mA TEXT.BLACK** 796636 p.299

CONVERTER p.679

Recommended drivers
colour indicates type of converter

CE | IP 20 | F | 1,2 | 1,8

95 mm | Installation height 100 (85) mm

Product weight | Indoor / outdoor use | Flammability index | IP rate | Electrical class | Gear type | European conformity | Dimensions and form cut out | Installation height in hollow ceilings | Installation height in solid ceilings

essentials



orbital



trimless

trimless - rahmenlos - randloos - sin marco - senza cornice



downlights

encastre plafond - einbauleuchten - inbouwtoestellen
lampara empotrada - incasso soffitto



wall recessed

encastre mural - wandeinbauleuchte - inbouw wandtoestellen
empotrada a pared - parete incasso



wall surface

applique mural - wandaufbau - wandtoestellen
montaje a pared - parete



ceiling mounted

plafonnier - deckenaufbau - plafond opbouw
montaje a techo - soffitto



suspended

suspension - abgependelt - pendeltoestellen
suspendida sopeso



stand alone

lampe à poser - freistehend - vrijstaand
lampara de mesa a piantana



inground uplight

Encastre sol - Bodeneinbauleuchten - inbouw vloerspots
lampada da incasso nel pavimento - incassi suolo



exterior

éclairage extérieur - Aussenleuchten - buitenverlichting
illuminazione per esterni - iluminación exterior



profiles

profilés - Profile - Profielsystemen - profili - perfiles



track lighting

éclairage sur rail - Track Schiene - railverlichting
Illuminazione a binario - Iluminación para carril





the collection

Configure the Orbital conform to your wishes.

ORBITAL
WE WENT THE DISTANCE

ORBITAL
THREE IN ONE



CONVENTIONAL VALVE
VENTILATION



CONVENTIONAL
SPOT



EMERGENCY
LIGHTING



ORBITAL
WE WENT THE DISTANCE

One futuristic lighting fixture has it all.

With the aesthetics in mind, every project has the same difficulty: where do we have to install (or hide) the visually unappealing ventilation holes that harm the pureness of the interior. TAL has developed the answer with the Orbital range; well-engineered devices with a refined and elegant look that simply combine the ventilation system with a downlight.

Orbital is the perfect tool for any project and suits a great variety of applications. High-end lighting merged with ventilation, as well as sound, smoke and motion detection. A standard downlight can turn into an extensive toolbox, to which you can simply add your desired features. Its smooth curves blend into the architecture for optimal visual comfort.

The Orbital is available in a standard version (installation via leaf springs) and a trimless version (installation via dedicated frame) that merges flush with the ceiling. The device comes in textured white or textured black powder coated finish.

The basic light comes from the outer circle of any Orbital device and provides a profitable efficacy of 150 lumens per watt, which leads to +1000 lumens. The Orbital can be equipped with leds with a colour temperature of 2700K & 3000K and also with the halosphere technology (dim to warm).

The innovative Orbital with integrated ventilation turns your home or office into a healthy environment. Choose between the throughflow or flow control system to create movement of purified air, beneficial to your indoor climate and extends the lifespan of the general light. A smooth designed union of lighting with high quality ventilation in aluminum casing leads to a cost effective and durable product.

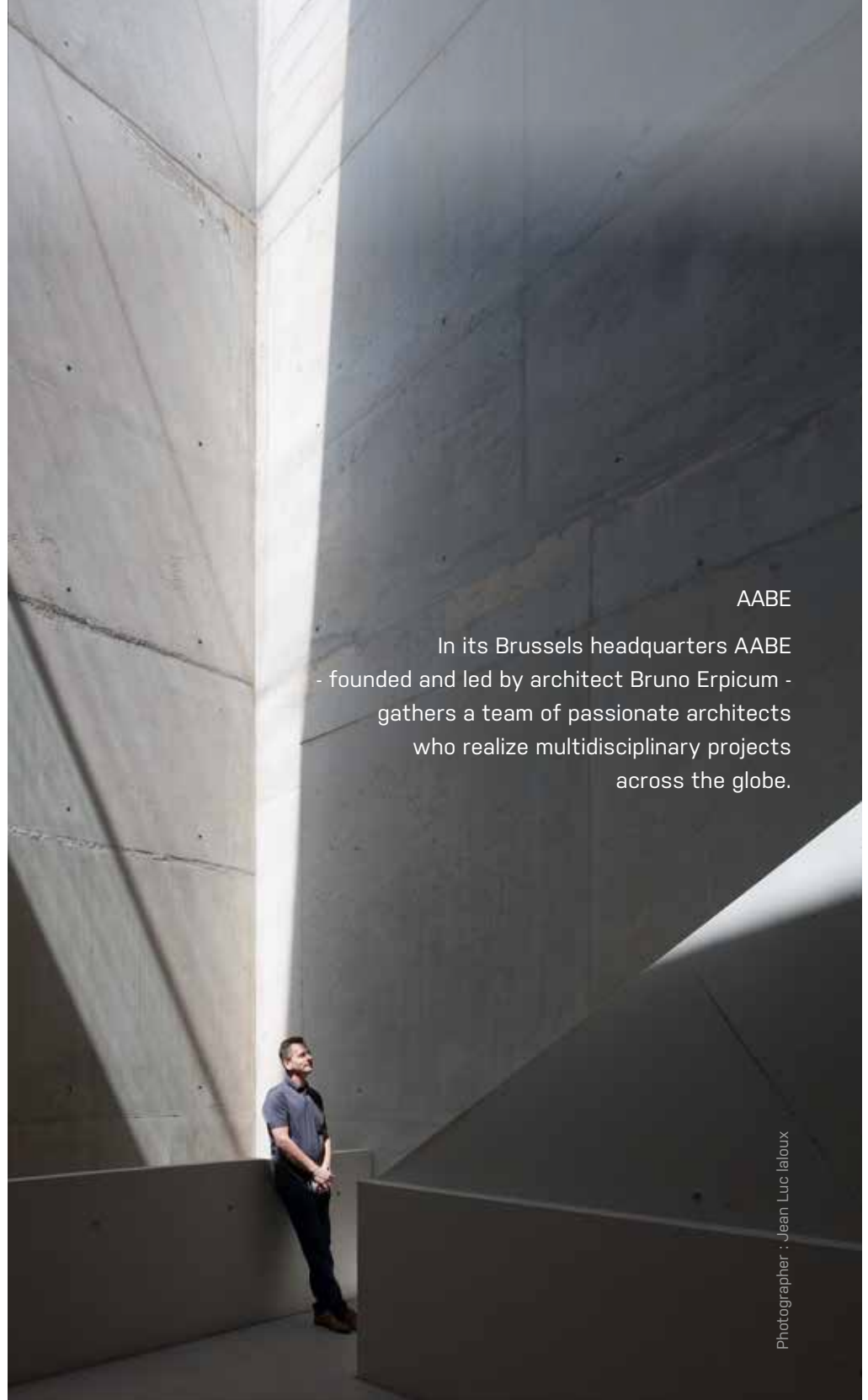
by *Erpicum*

**Modern Architecture is limitless.
Throughout the process
of designing a product
– from the basic concept to
determining the smallest detail –
the ambition should remain the same:
eliminate all redundant elements
in view of retaining only the essential.**

More than 30 years of experience have resulted in the realization of different types of projects including private dwellings set in an urban context, secluded villa's located on a remote hilltop yet also buildings with a more public function such as museums, office buildings, hotels, commercial real estate, etc.

The numerous publications and awards granted to AABE underpin the worldwide appreciation for the Atelier's architectural philosophy.

The Atelier consists of 15 architects and is hence big enough to master multidisciplinary projects, yet small enough to function as a team collaborating to achieve a unique project - time and time again.



AABE

In its Brussels headquarters AABE
- founded and led by architect Bruno Erpicum -
gathers a team of passionate architects
who realize multidisciplinary projects
across the globe.

ABOUT THE DESIGNER

Bruno Erpicum

"Eliminate all redundant in view
of retaining only the essential."



ORBITAL

A ceiling represents the sky of a room. Almost never decorated nor 'littered' with furniture but instead often the only free surface in a room. And yet, very little attention is paid to the design of a ceiling. Lighting, aeration, music, AC, movement detectors, etc. The panoply of techniques required in today's rooms, leads to the fact that 'designing' the ceiling in a uniform color is often the highest achievable goal.

The architects at the Brussels' based studio Bruno Erpicum, have been dreaming for many years about a uniform and standard object that integrates all of the abovementioned techniques and has found the perfect partner in lighting company TAL to realize this objective. The ambition was clear from the start: designing a basic object that hides all of these techniques from the eye.

The Orbital was created: a minimalistic cylinder integrating a wide array of techniques in an ingenious manner.
The result: a pristine ceiling whereby merely a few vacant cut-aways cluster the techniques.
Ratio? There is more in less.

VENTILATION
FLOW CONTROL

VENTILATION
THROUGH FLOW

SMOKE

GENERAL
LIGHT

SOUND

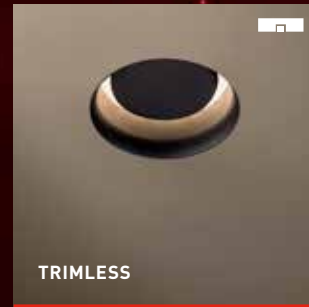
SPOTLIGHT



ORBITAL

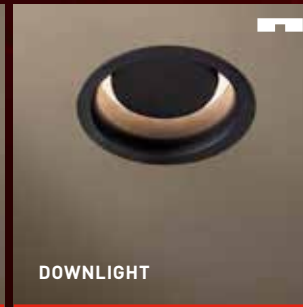
TAL
TECHNICAL
ARCHITECTURAL
LIGHTING

by *Epicum*



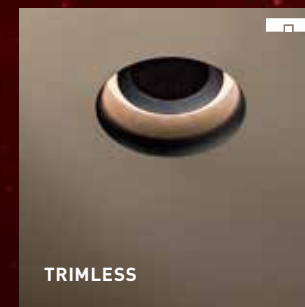
TRIMLESS

ORBITAL
+ FLOW CONTROL 35



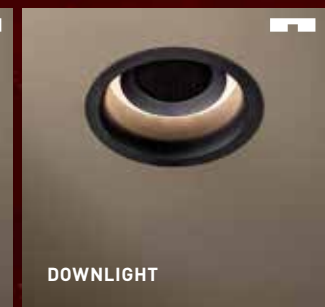
DOWNLIGHT

ORBITAL
+ FLOW CONTROL 43



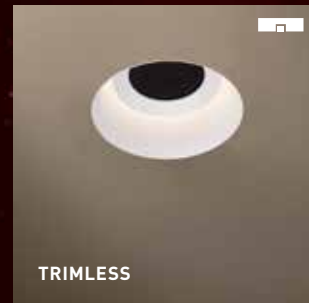
TRIMLESS

ORBITAL
+ THROUGH FLOW 37



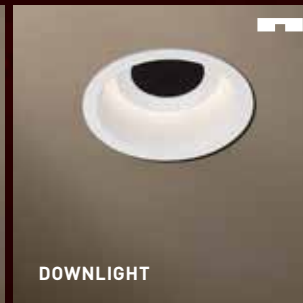
DOWNLIGHT

ORBITAL
+ THROUGH FLOW 45



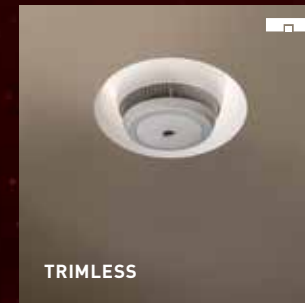
TRIMLESS

ORBITAL
+ LOUDSPEAKER 38



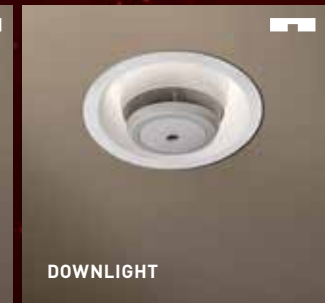
DOWNLIGHT

ORBITAL
+ LOUDSPEAKER 46



TRIMLESS

ORBITAL
+ SMOKE DETECTOR 39



DOWNLIGHT

ORBITAL
+ SMOKE DETECTOR 47

One futuristic lighting fixture has it all.

ORBITAL FLOW CONTROL

trimless

FLOW CONTROL TRIMLESS



ANNULAR LED ARRAY 11,4W
 max. 350mA DC (32,5 Vf)
 dimmable PWM or CCR (Halosphere only CCR)
 beam 120°
 CRI 92 (Halosphere CRI 97)

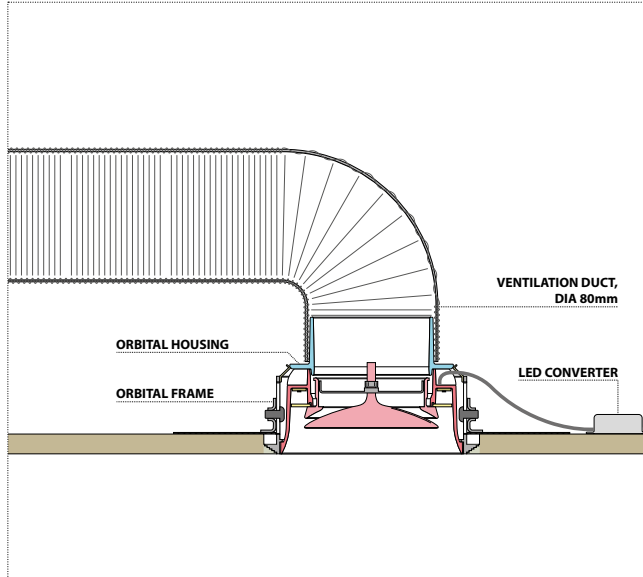
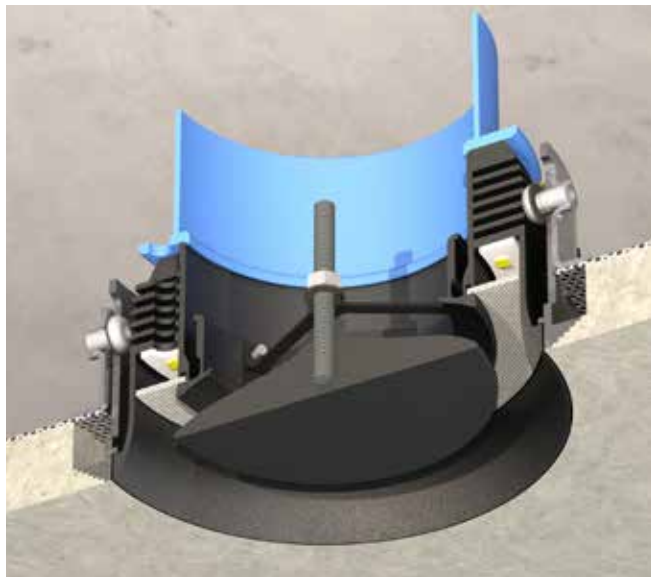
A+

140 mm
 Installation height 180 mm
 (when using flexible ventilation valve ø80mm)

	2700K	3000K	HALOSPHERE				
TEXT. WHITE	650247	650267	650287				
TEXT. BLACK	650246	650266	650286				
	1365 lumen	1400 lumen	1110 lumen				

TRIMLESS FRAME
701112
 140 x H 130 mm

HALOSPHERE: dim to warm 3000K-1800K



FLOW CONTROL = VENTILATION VALVE

- SUPPLY VALVE / EXTRACT VALVE
- INCORPORATED ADJUSTABLE FLOW REGULATOR

MAX FLOW (THEORETICAL)

- @V = 1,0M/S: 47M³/S
- @V = 2,0M/S: 94M³/S
- @V = 3,0M/S: 141M³/S

trimless

LIGHT ONLY (FLOW CONTROL LOOK)

ORBITAL



FLOW CONTROL LOOK TRIMLESS



ANNULAR LED ARRAY 11,4W
 max. 350mA DC (32,5 Vf)
 dimmable PWM or CCR
 (Halosphere only CCR)
 beam 120°
 CRI 92
 (Halosphere CRI 97)

A+

⌀ 140 mm
 Installation height 130 mm



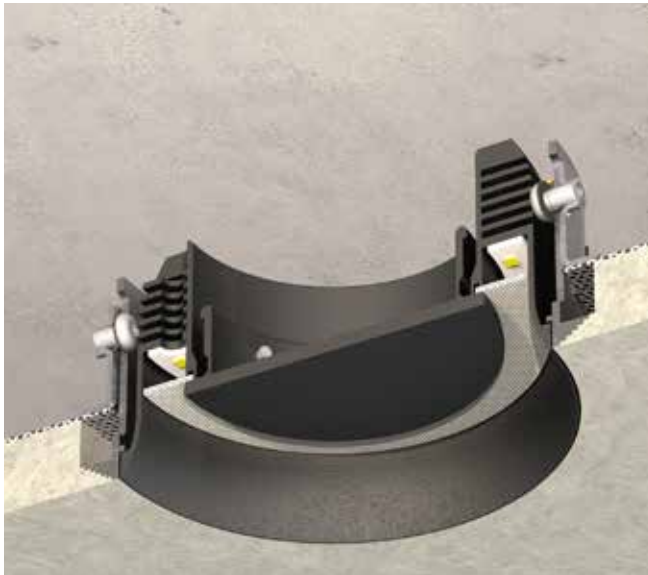
	2700K	3000K	HALOSPHERE
TEXT. WHITE	650047	650067	650087
TEXT. BLACK	650046	650066	650086
	1365 lumen	1400 lumen	1110 lumen

◉ TRIMLESS FRAME

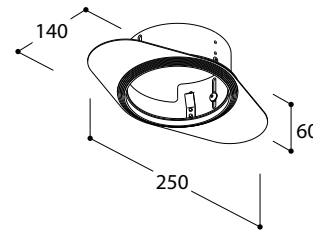
701112 ⌀140 x H 130 mm

HALOSPHERE: dim to warm 3000K-1800K

TRIMLESS FRAME



⌀ 140mm



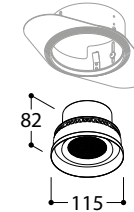
TRIMLESS FRAME 701112

ORBITAL THROUGH FLOW

trimless



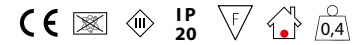
THROUGH FLOW TRIMLESS



ANNULAR LED ARRAY 11,4W
 max. 350mA DC (32,5 Vf)
 dimmable PWM or CCR
 (Halosphere only CCR)
 beam 120°
 CRI 92
 (Halosphere CRI 97)

A+

Ø 140 mm
 Installation height 180 mm
 (when using flexible ventilation
 valve ø80mm)

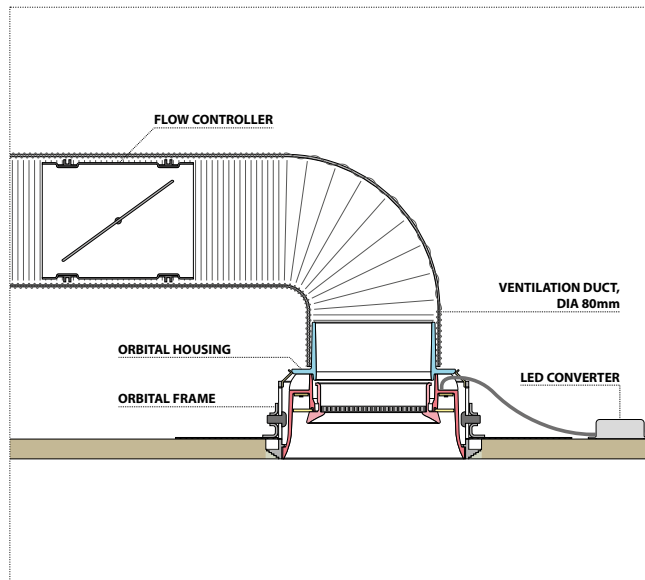
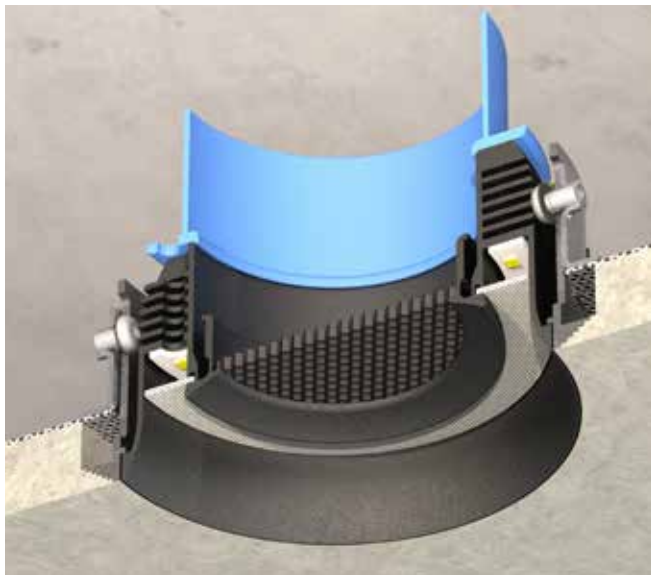


	2700K	3000K	HALOSPHERE
TEXT. WHITE	650147	650167	650187
TEXT. BLACK	650146	650166	650186
	1365 lumen	1400 lumen	1110 lumen

◉ TRIMLESS FRAME

701112 Ø140 x H 130 mm

HALOSPHERE: dim to warm 3000K-1800K



THROUGH FLOW = VENTILATION VALVE

- SUPPLY VALVE / EXTRACT VALVE
- FLOW REGULATOR MUST BE PROVIDED IN AIR DUCTS

MAX FLOW (THEORETICAL)

- @V = 1,0M/S: 42M³/S
- @V = 2,0M/S: 84M³/S
- @V = 3,0M/S: 126M³/S

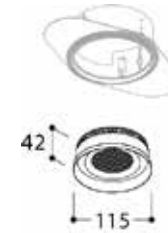
trimless

LIGHT ONLY [THROUGH FLOW LOOK]

ORBITAL



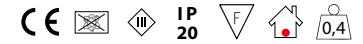
THROUGH FLOW LOOK TRIMLESS



ANNULAR LED ARRAY 11,4W
 max. 350mA DC (32,5 Vf)
 dimmable PWM or CCR
 (Halosphere only CCR)
 beam 120°
 CRI 92
 (Halosphere CRI 97)

A+

⌀ 140 mm
 Installation height 130 mm



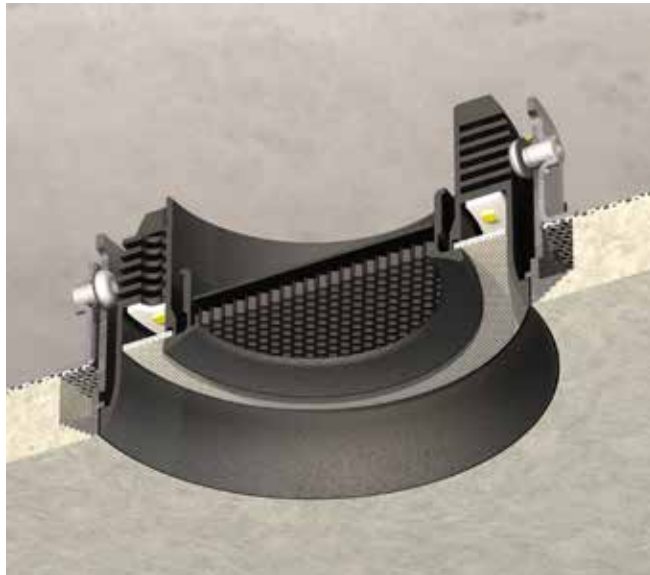
	2700K	3000K	HALOSPHERE
TEXT. WHITE	650044	650064	650084
TEXT. BLACK	650042	650062	650082
	1365 lumen	1400 lumen	1110 lumen

◉ TRIMLESS FRAME

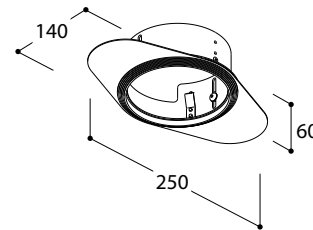
701112 ⌀140 x H 130 mm

HALOSPHERE: dim to warm 3000K-1800K

TRIMLESS FRAME



⌀ 140mm

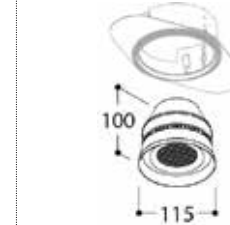


TRIMLESS FRAME 701112

ORBITAL LOUDSPEAKER

trimless

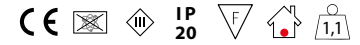
LOUDSPEAKER TRIMLESS



ANNULAR LED ARRAY 11,4W
 max. 350mA DC (32,5 Vf)
 dimmable PWM or CCR
 (Halosphere only CCR)
 beam 120°
 CRI 92
 (Halosphere CRI 97)

A+

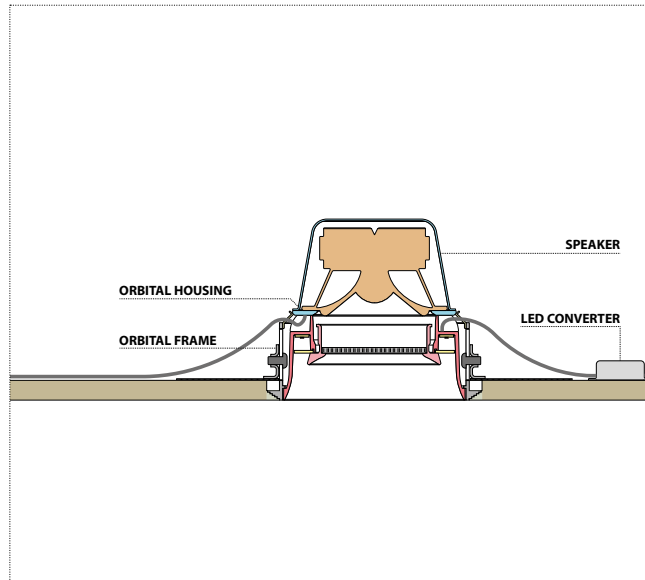
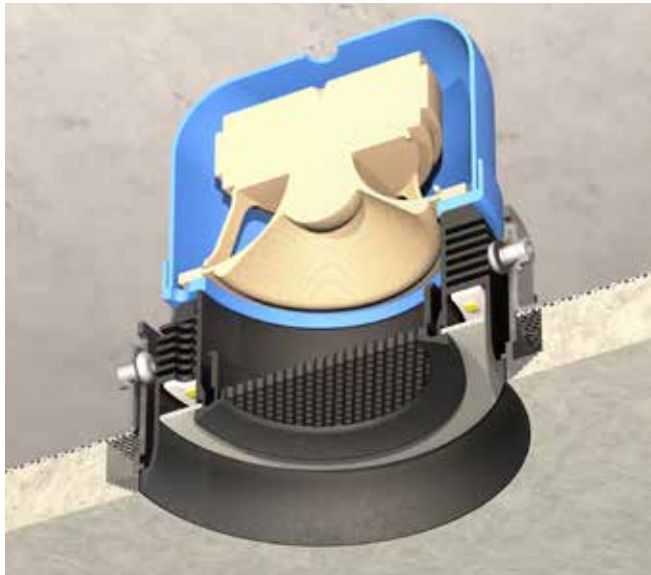
140 mm
 Installation height 130 mm



	2700K	3000K	HALOSPHERE
TEXT. WHITE	650347	650367	650387
TEXT. BLACK	650346	650366	650386
	1365 lumen	1400 lumen	1110 lumen

TRIMLESS FRAME 701112 140 x H 130 mm

HALOSPHERE: dim to warm 3000K-1800K



SOUND = 3" FULL RANGE SPEAKER

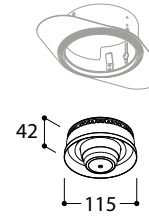
- MAX. POWER = 30W
- RATED POWER INPUT = 15W
- NOMINAL IMPEDANCE = 80Hm
- DCR IMPEDANCE = 6,60Hm
- SENSITIVITY 1W/1M = 88DB
- FREQUENCY RESPONSE = 75HZ-20KHZ

trimless

SMOKE DETECTOR ORBITAL



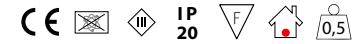
SMOKE DETECTOR TRIMLESS



ANNULAR LED ARRAY 11,4W
 max. 350mA DC (32,5 Vf)
 dimmable PWM or CCR
 (Halosphere only CCR)
 beam 120°
 CRI 92
 (Halosphere CRI 97)

A+

140 mm
 Installation height 130 mm



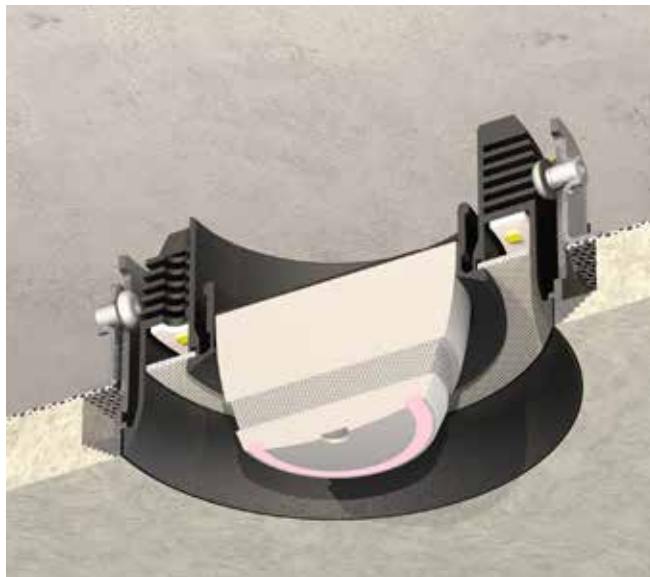
	2700K	3000K	HALOSPHERE
TEXT. WHITE	650447	650467	650487
TEXT. BLACK	650446	650466	650486
	1365 lumen	1400 lumen	1110 lumen

TRIMLESS FRAME

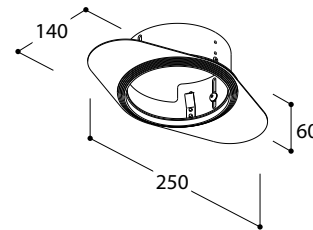
701112 140 x H 130 mm

HALOSPHERE: dim to warm 3000K-1800K

TRIMLESS FRAME



140mm



TRIMLESS FRAME 701112

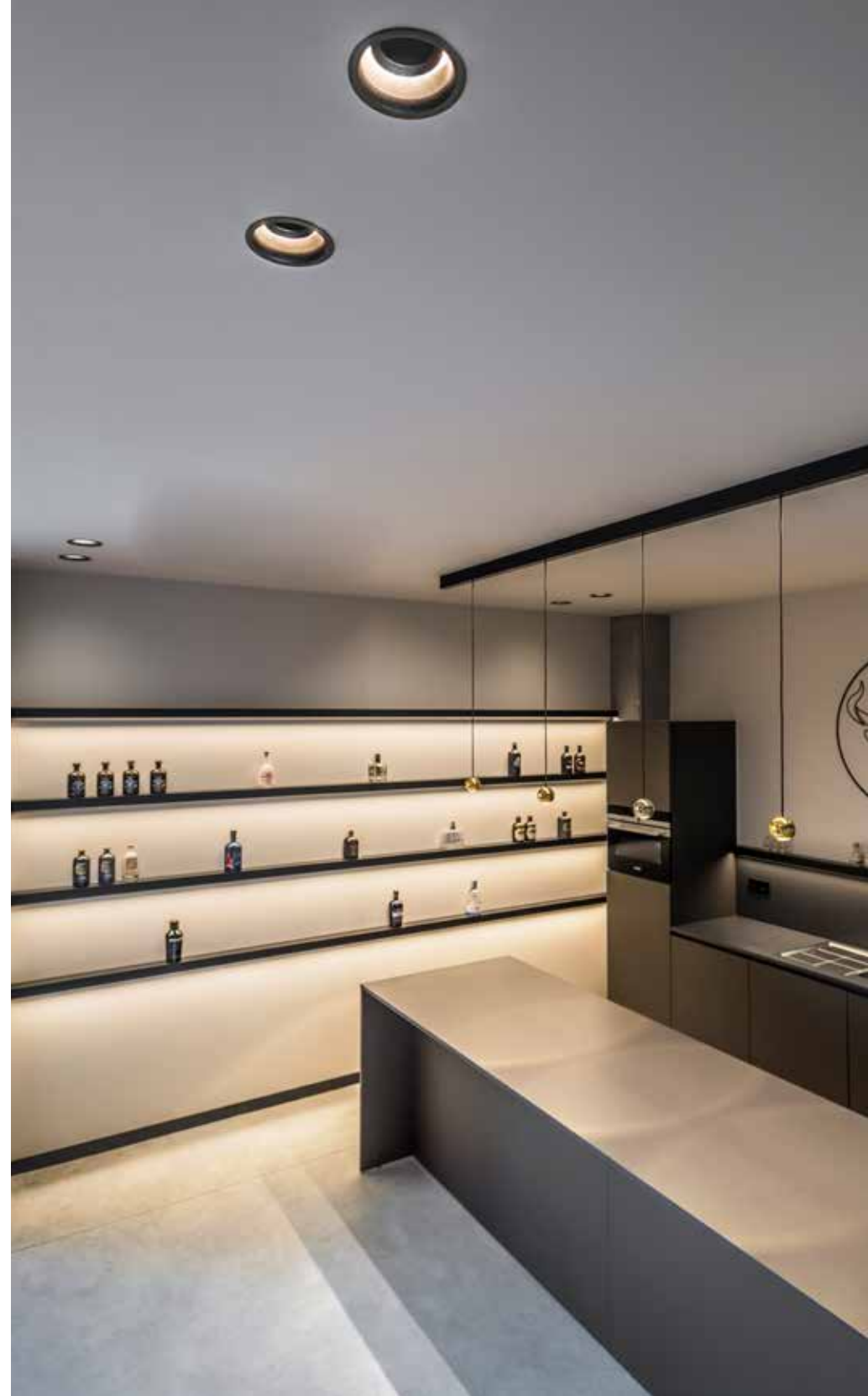
SMOKE = OPTICAL SMOKE ALARM DEVICE

- INTEGRATED WIRELESS INTERLINK (MAX. 32 DEVICES) - RF: 868MHZ
- REPLACABLE 3V CR123A LITHIUM BATTERY 1600MAH
- MIN. 5 YEAR BATTERY LIFE
- LOW BATTERY INDICATION
- 100M OPEN FIELD RANGE
- VISIBLE INDICATOR





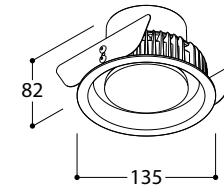
*"Eliminate all redundant in view
of retaining only the essential."*



ORBITAL FLOW CONTROL

125 mm downlights

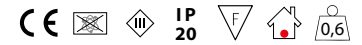
FLOW CONTROL



ANNULAR LED ARRAY 11,4W
 max. 350mA DC (32,5 Vf)
 dimmable PWM or CCR
 (Halosphere only CCR)
 beam 120°
 CRI 92
 (Halosphere CRI 97)

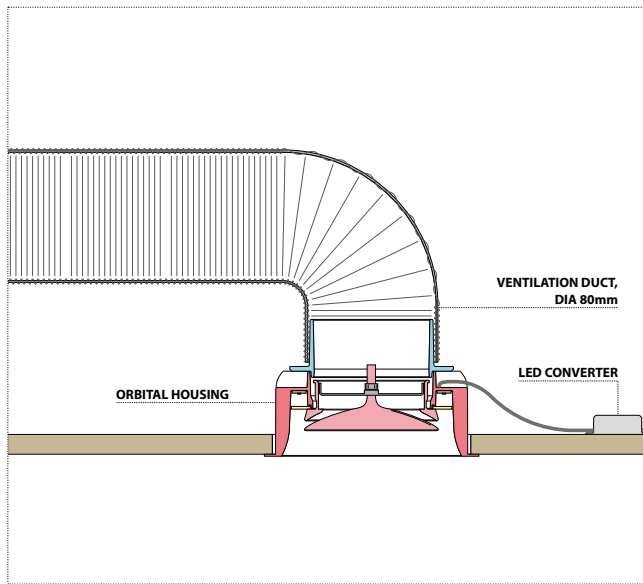
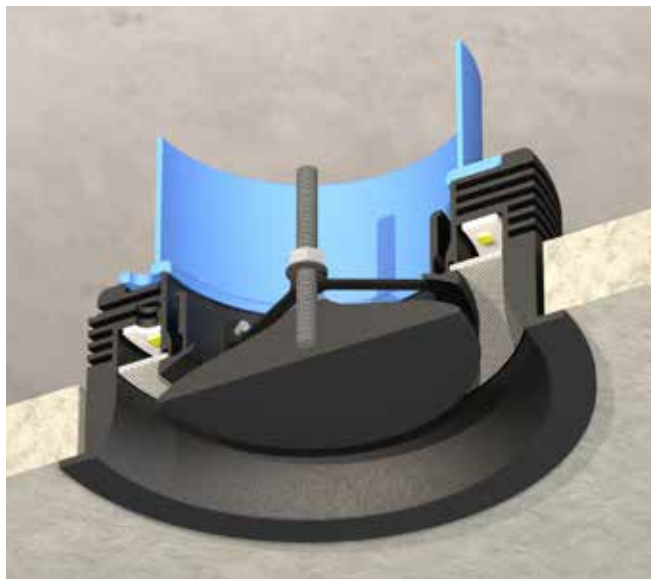
A+

125 mm
 Installation height 180 mm
 (when using flexible ventilation
 valve ø80mm)



	2700K	3000K	HALOSPHERE
TEXT. WHITE	650747	650767	650787
TEXT. BLACK	650746	650766	650786
	1365 lumen	1400 lumen	1110 lumen

HALOSPHERE: dim to warm 3000K-1800K



FLOW CONTROL = VENTILATION VALVE

- SUPPLY VALVE / EXTRACT VALVE
- INCORPORATED ADJUSTABLE FLOW REGULATOR

MAX FLOW (THEORETICAL)

- @V = 1,0M/S: 47M³/S
- @V = 2,0M/S: 94M³/S
- @V = 3,0M/S: 141M³/S

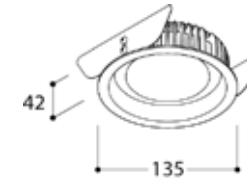
downlights  125 mm

LIGHT ONLY (FLOW CONTROL LOOK)

ORBITAL




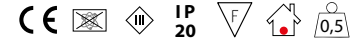
FLOW CONTROL LOOK



ANNULAR LED ARRAY 11,4W
 max. 350mA DC (32,5 Vf)
 dimmable PWM or CCR
 (Halosphere only CCR)
 beam 120°
 CRI 92
 (Halosphere CRI 97)

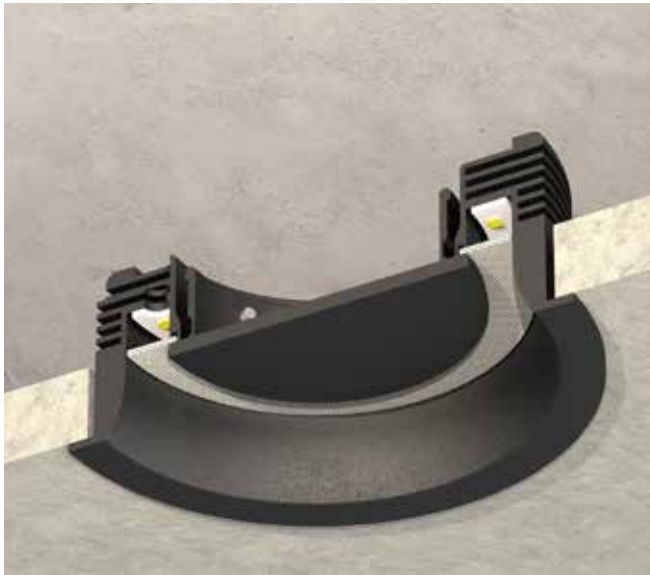
A+

 125 mm
 Installation height 60 (45) mm



	2700K	3000K	HALOSPHERE
TEXT. WHITE	650547	650567	650587
TEXT. BLACK	650546	650566	650586
	1365 lumen	1400 lumen	1110 lumen

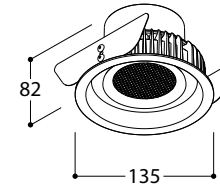
HALOSPHERE: dim to warm 3000K-1800K



ORBITAL THROUGH FLOW

125 mm downlights

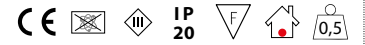
THROUGH FLOW



ANNULAR LED ARRAY 11,4W
 max. 350mA DC (32,5 Vf)
 dimmable PWM or CCR
 (Halosphere only CCR)
 beam 120°
 CRI 92
 (Halosphere CRI 97)

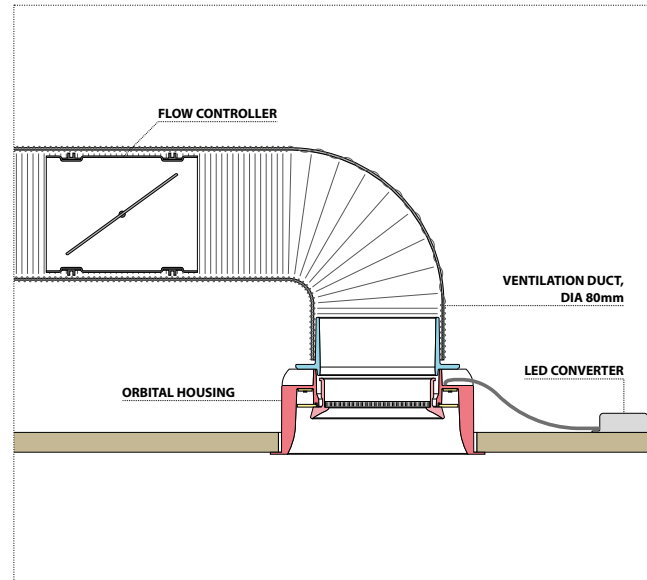
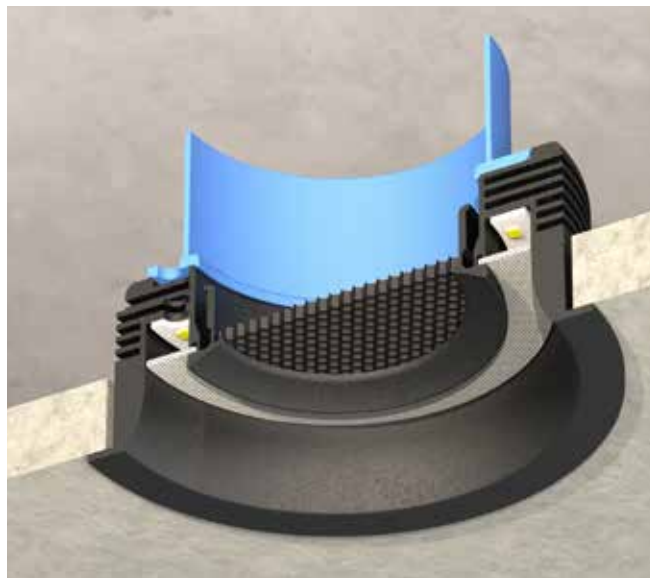
A+

125 mm
 Installation height 180 mm
 (when using flexible ventilation
 valve ø80mm)



	2700K	3000K	HALOSPHERE
TEXT. WHITE	650647	650667	650687
TEXT. BLACK	650646	650666	650686
	1365 lumen	1400 lumen	1110 lumen

HALOSPHERE: dim to warm 3000K-1800K



THROUGH FLOW = VENTILATION VALVE

- SUPPLY VALVE / EXTRACT VALVE
- FLOW REGULATOR MUST BE PROVIDED IN AIR DUCTS

MAX FLOW (THEORETICAL)

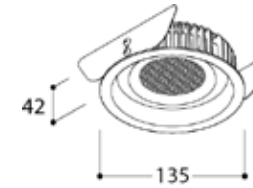
- @V = 1,0M/S: 42M³/S
- @V = 2,0M/S: 84M³/S
- @V = 3,0M/S: 126M³/S

downlights  125 mm

LIGHT ONLY [THROUGH FLOW LOOK] **ORBITAL**




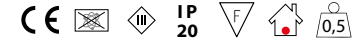
THROUGH FLOW LOOK



ANNULAR LED ARRAY 11,4W
 max. 350mA DC (32,5 Vf)
 dimmable PWM or CCR
 (Halosphere only CCR)
 beam 120°
 CRI 92
 (Halosphere CRI 97)

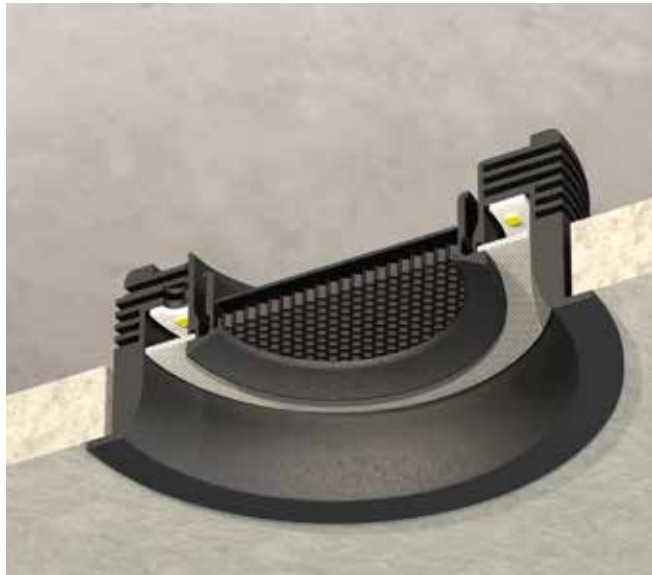


 125 mm
 Installation height 60 (45) mm



	2700K	3000K	HALOSPHERE
TEXT. WHITE	650544	650564	650584
TEXT. BLACK	650542	650562	650582
	1365 lumen	1400 lumen	1110 lumen

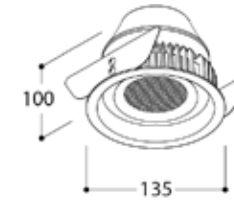
HALOSPHERE: dim to warm 3000K-1800K



ORBITAL LOUDSPEAKER

125 mm downlights

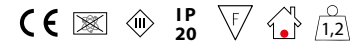
LOUDSPEAKER



ANNULAR LED ARRAY 11,4W
 max. 350mA DC (32,5 Vf)
 dimmable PWM or CCR
 (Halosphere only CCR)
 beam 120°
 CRI 92
 (Halosphere CRI 97)

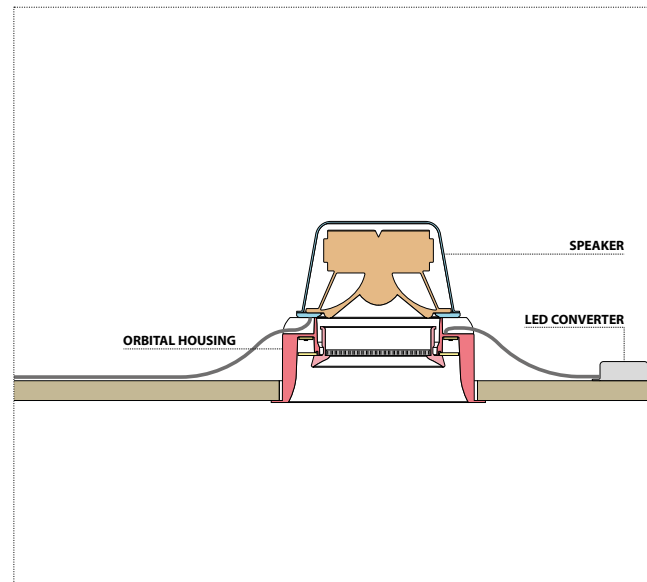
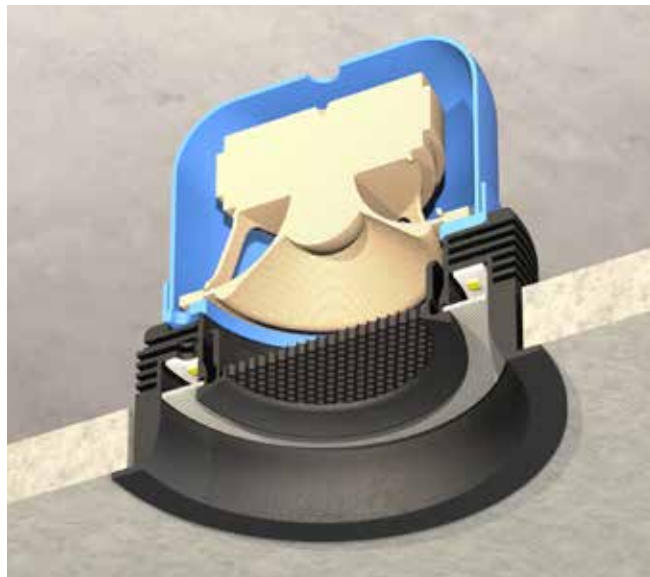
A+

125 mm
 Installation height 120 (105) mm



	2700K	3000K	HALOSPHERE
TEXT. WHITE	650847	650867	650887
TEXT. BLACK	650846	650866	650886
	1365 lumen	1400 lumen	1110 lumen

HALOSPHERE: dim to warm 3000K-1800K



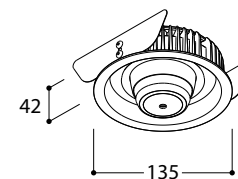
SOUND = 3" FULL RANGE SPEAKER

- MAX. POWER = 30W
- RATED POWER INPUT = 15W
- NOMINAL IMPEDANCE = 80HM
- DCR IMPEDANCE = 6,60HM
- SENSITIVITY 1W/1M = 88DB
- FREQUENCY RESPONSE = 75HZ-20KHZ

SMOKE DETECTOR **ORBITAL**

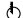


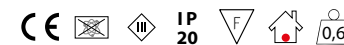
SMOKE DETECTOR



ANNULAR LED ARRAY 11,4W
 max. 350mA DC (32,5 Vf)
 dimmable PWM or CCR
 (Halosphere only CCR)
 beam 120°
 CRI 92
 (Halosphere CRI 97)

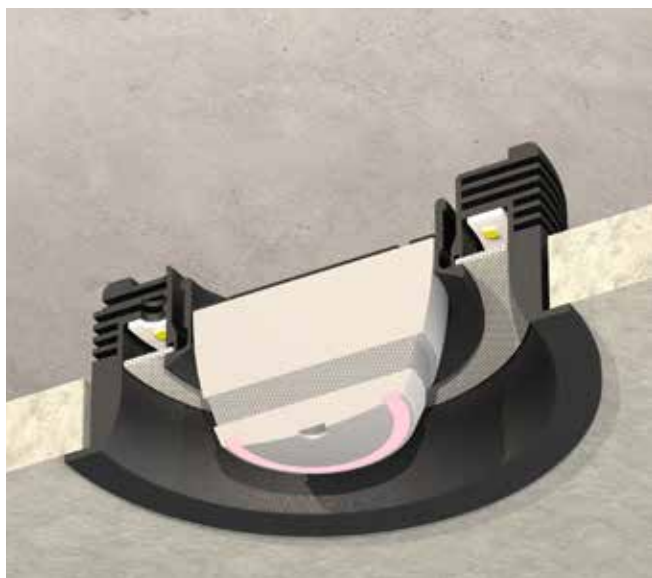
A+

 125 mm
 Installation height 60 (45) mm



	2700K	3000K	HALOSPHERE
TEXT. WHITE	650947	650967	650987
TEXT. BLACK	650946	650966	650986
	1365 lumen	1400 lumen	1110 lumen

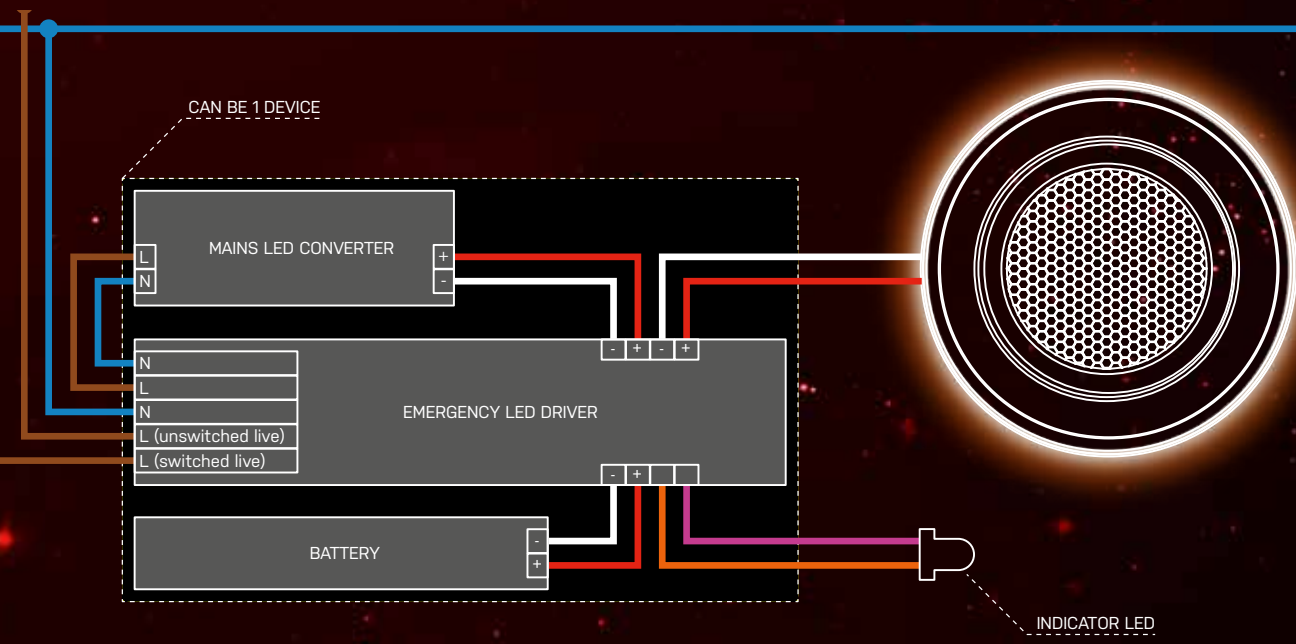
HALOSPHERE: dim to warm 3000K-1800K



SMOKE = OPTICAL SMOKE ALARM DEVICE

- INTEGRATED WIRELESS INTERLINK (MAX. 32 DEVICES) - RF: 868MHZ
- REPLACABLE 3V CR123A LITHIUM BATTERY 1600MAH
- MIN. 5 YEAR BATTERY LIFE
- LOW BATTERY INDICATION
- 100M OPEN FIELD RANGE
- VISIBLE INDICATOR

WIRING DIAGRAM ORBITAL + EMERGENCY



BASIC VALVES **ORBITAL**



**ORBITAL BASIC TRIMLESS
FLOW CONTROL
(VENTILATION VALVE)**

	NO LIGHT
TEXT. WHITE	650207
TEXT. BLACK	650206

ORDER/INFO: WWW.ELEKTRENDS.BE



**ORBITAL BASIC TRIMLESS
THROUGH FLOW
(VENTILATION VALVE)**

	NO LIGHT
TEXT. WHITE	650107
TEXT. BLACK	650106

ORDER/INFO: WWW.ELEKTRENDS.BE



**ORBITAL BASIC LEAF
FLOW CONTROL
(VENTILATION VALVE)**

	NO LIGHT
TEXT. WHITE	650707
TEXT. BLACK	650706

ORDER/INFO: WWW.ELEKTRENDS.BE



**ORBITAL BASIC LEAF
THROUGH FLOW
(VENTILATION VALVE)**

	NO LIGHT
TEXT. WHITE	650607
TEXT. BLACK	650606

ORDER/INFO: WWW.ELEKTRENDS.BE

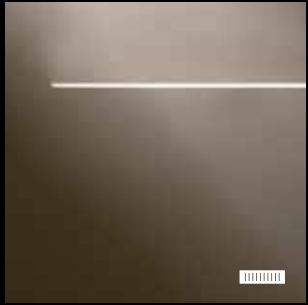
TAL ARCHITECTURAL LIGHTING & ELEK TRENDS PRODUCTIONS

Orbital is the result of a collaboration between 2 different companies, each being a specialist in its domain. TAL as specialist in architectural lighting has taken care of the lighting concept, ETP as specialist in mechanical ventilation has taken care of the ventilation part. Orbital is the symbiosis of lighting and ventilation.



trimless

trimless



1U FLUSH 434



DREBBEL 54



INCAS 61



INTANA 57



MICRO INCAS 3 58



MINI INTANA XICATO 56



MINI PROJEXXAR 65



MINI RASPUTIN 66



MINI TOMMY 70



ORBITAL 33



TOMMY 74




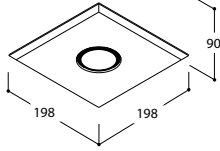



DREBBEL HALOLED


trimless






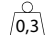


halo led DREBBEL FERMACELL 0° HALOLED 




LUXEON M 7,84W
max. 700mA DC (11,2 Vf)
dimnable PWM or CCR
755 lumen
beam 36° 

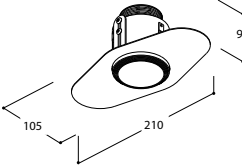
 200 x 200 mm
Installation height 105 mm


     


	2700K	3000K
TEXT. WHITE	132348	132349
TEXT. BLACK	132327	132328
GOLD ANO	132314	132315


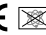



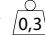
CONVERTER p.560

halo led DREBBEL PLASTERKIT 0° HALOLED 



LUXEON M 7,84W
max. 700mA DC (11,2 Vf)
dimnable PWM or CCR
755 lumen
beam 36° 

 111* mm
Installation height 105 mm

	2700K	3000K
TEXT. WHITE	132648	132649
TEXT. BLACK	132627	132628
GOLD ANO	132614	132615

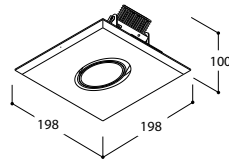
*DIA111 when using plasterkit in plasterboard (hollow ceilings)
diameter 100 - when using plasterkit in combination with solid ceilings

trimless

DREBBEL HALOLED



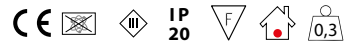
halo led DREBBEL FERMACELL 45° HALOLED



LUXEON M 7,84W
 max. 700mA DC (11,2 Vf)
 dimmable PWM or CCR
 755 lumen
 beam 36°

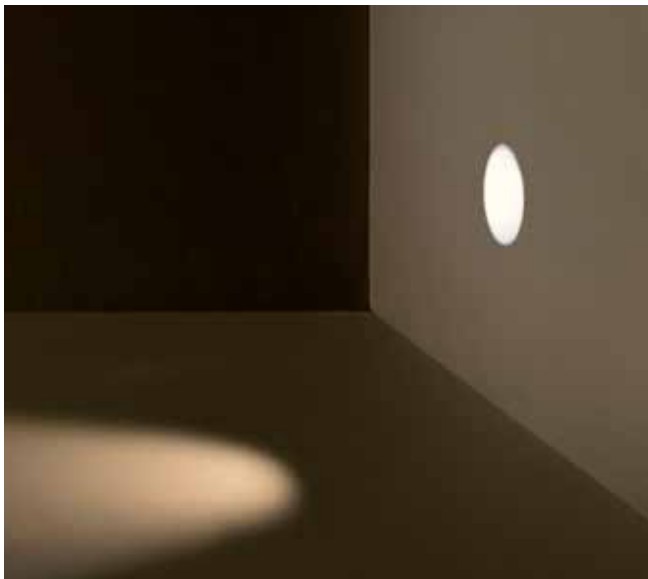
A+

200 x 200 mm
 Installation height 105 mm

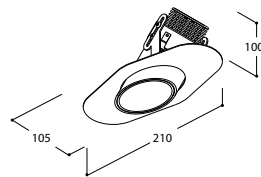


	2700K	3000K
TEXT. WHITE	132548	132549
TEXT. BLACK	132527	132528
GOLD ANO	132514	132515

CONVERTER p.560



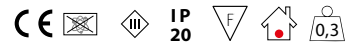
halo led DREBBEL PLASTERKIT 45° HALOLED



LUXEON M 7,84W
 max. 700mA DC (11,2 Vf)
 dimmable PWM or CCR
 755 lumen
 beam 36°

A+

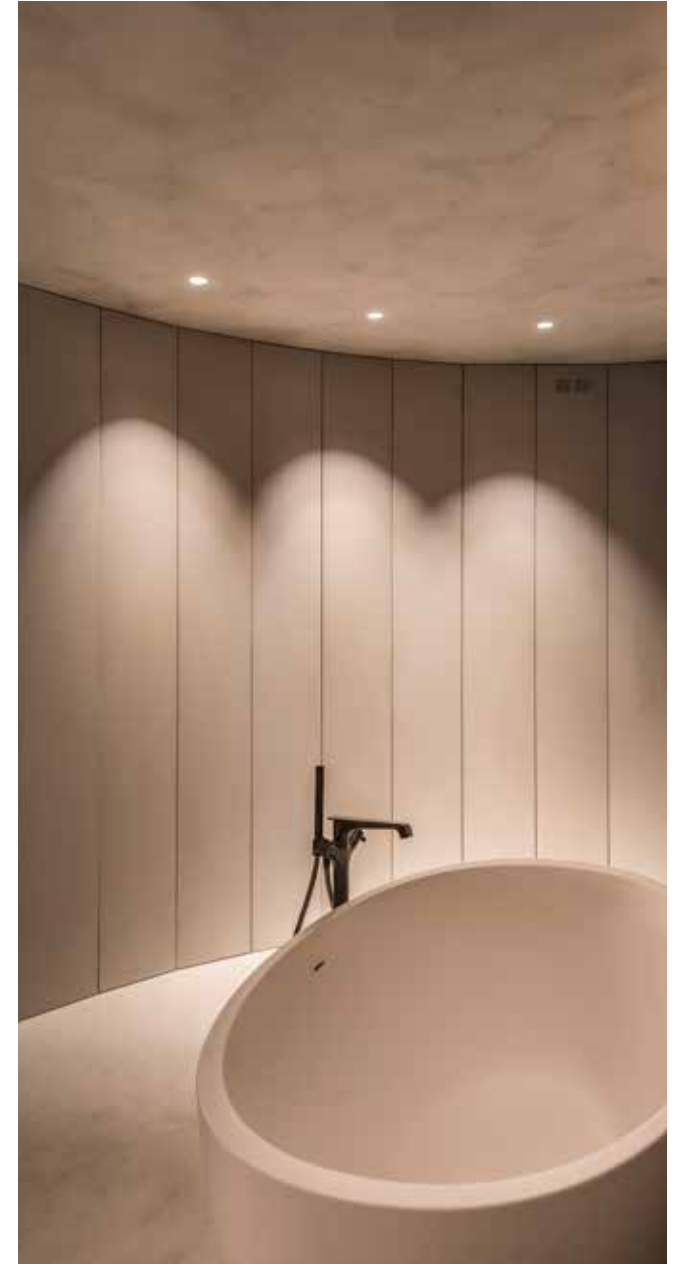
111* mm
 Installation height 105 mm



	2700K	3000K
TEXT. WHITE	132848	132849
TEXT. BLACK	132827	132828
GOLD ANO	132814	132815

*DIA111 when using plasterkit in plasterboard (hollow ceilings)
 125 x 80 - when using plasterkit in combination with solid ceilings

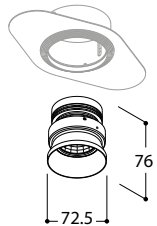
CONVERTER p.560



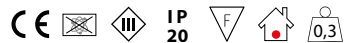
MINI INTANA XICATO



MINI INTANA XICATO ARTIST



XICATO XTM 6,3W
 350mA (18,1Vf)
 dimmable PWM or CCR
 720 Lumen
 beam 40°
 CRI 97



	2700K	3000K
TEXT. WHITE	123147	123148
TEXT. BLACK	123126	123127

Other Xicato modules on request

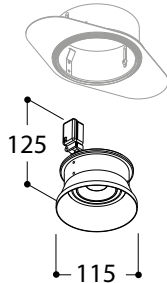


[CONVERTER p.554](#)





INTANA BEAUFORT

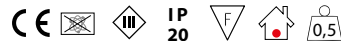


CITIZEN 6,22W
 MAX 180mA DC (34,6 Vf)
 dimmable PWM or CCR
 758 lumen
 CRI 92
 beam 36°
 ↻ 359° ↻ 30°

A++

140 mm

Installation height 130 mm



	2700K	3000K
TEXT. WHITE	133847	133857
TEXT. BLACK	133826	133836

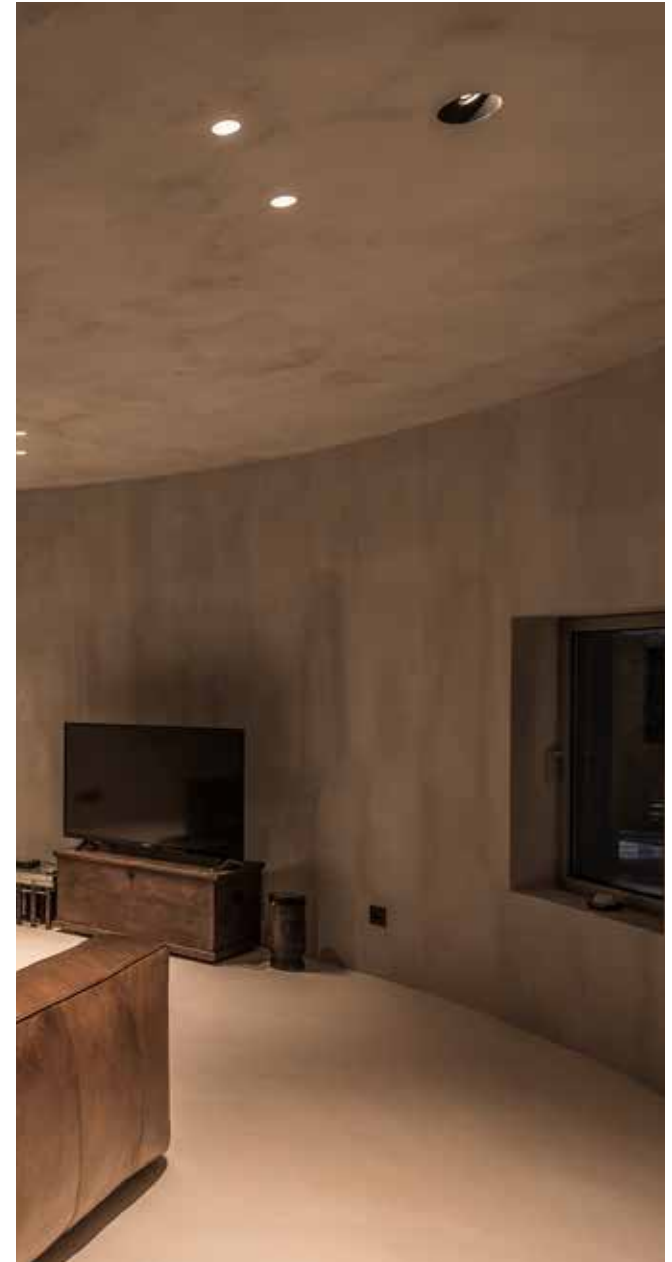
INTANA FRAME

701111 140 mm

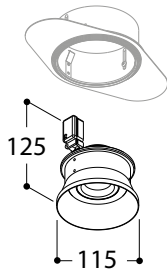


CONVERTER p.552

GU10 versions: see website



INTANA HALOLED

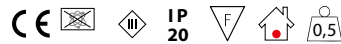


LUXEON M 7,84W
 max. 700mA DC (11,2 Vf)
 dimmable PWM or CCR
 755 lumen
 beam 36°
 ↻ 359° ↻ 15°

A+

140 mm

Installation height 130 mm



	2700K	3000K
TEXT. WHITE	133807	133817
TEXT. BLACK	133806	133816

INTANA FRAME

701111 140 mm

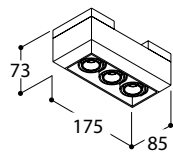
CONVERTER p.560

MICRO INCAS 3

trimless



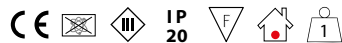
MICRO INCAS 3



LUXEON M LED (3x) 3,82W
 350mA DC
 3x 400 Lumen
 beam 36°
 ↻ 35° ↻ 20°

A++

177 x 87 mm
 Installation height 80 mm

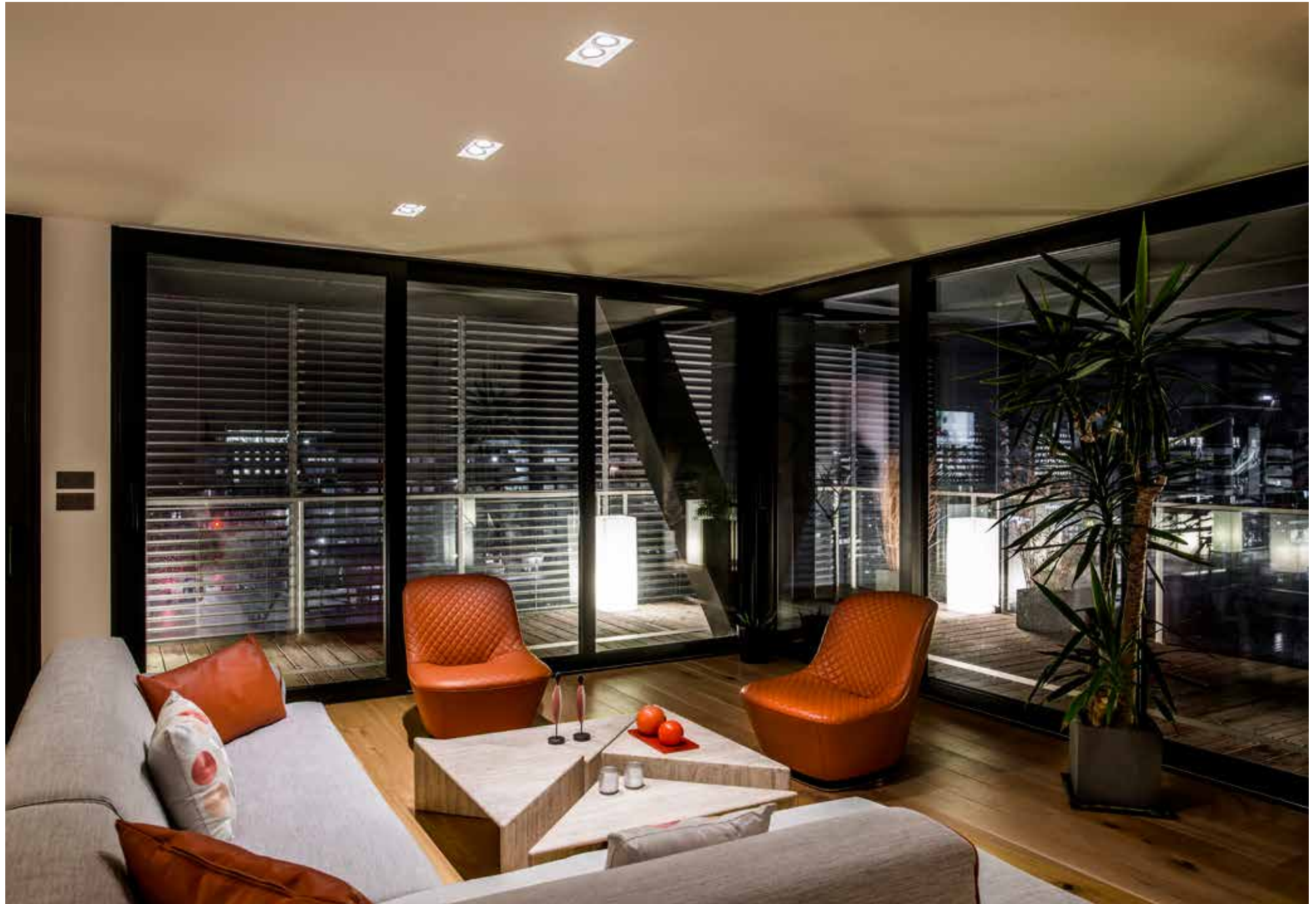


	2700K	3000K
TEXT. WHITE	419847	419837
TEXT. BLACK	419826	419816
TEXT. BLACK + TEXT. WHITE FOCUS	419895	419885
TEXT. WHITE + TEXT. BLACK FOCUS	419894	419884
BLACK + GOLD	419896	419886

Reference numbers are for Box + Module

CONVERTER p.554

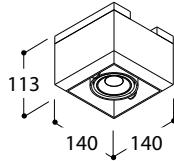




INCAS BEAUFORT



INCAS 1 BEAUFORT

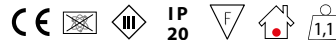


CITIZEN 6,22W
180mA DC [34,6 Vf]
dimmable PWM or CCR
758 lumen
CRI 92
beam 36°
30°

A++

142 x 142 mm

Installation height 120 mm



	2700K	3000K
BOX + MODULE TEXT. WHITE	935130	935131
BOX + MODULE TEXT. BLACK	935136	935132
BOX	935830	935830
MODULE TEXT. WHITE	935160	935161
MODULE TEXT. BLACK	935166	935162

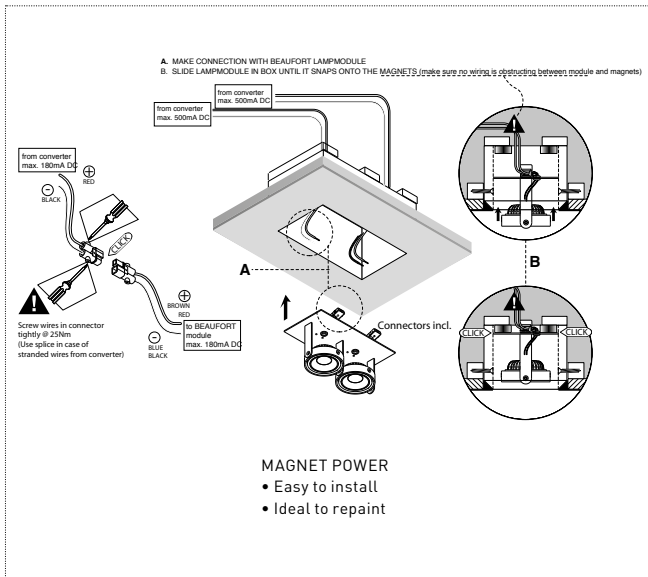


CONVERTER p.552

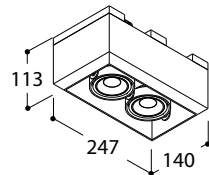
GU10 versions: see website



HOW TO INSTALL INCAS BEAUFORT



INCAS 2 BEAUFORT



CITIZEN (x2) 6,22W
180mA DC [34,6 Vf]
dimmable PWM or CCR
2x 758 lumen
CRI 92
beam 36°
30°

A++

249 x 142 mm

Installation height 120 mm



	2700K	3000K
BOX + MODULE TEXT. WHITE	935230	935231
BOX + MODULE TEXT. BLACK	935236	935232
BOX	935930	935930
MODULE TEXT. WHITE	935260	935261
MODULE TEXT. BLACK	935266	935262



CONVERTER p.552

GU10 versions: see website

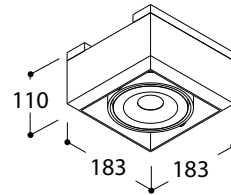


trimless

INCAS BEAUFORT²



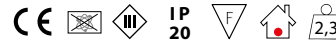
INCAS 1 BEAUFORT²



CITIZEN 18W
max. 500mA DC
2000 lumen
dimnable PWM or CCR
30°

A++

185 x 185 mm
Installation height 120 mm



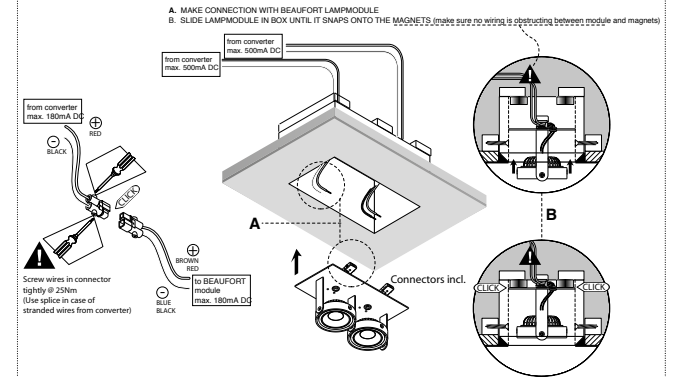
	2700K		3000K	
	35°	70°	35°	70°
TEXT. WHITE	935154	935134	935155	935135
TEXT. BLACK	935157	935137	935158	935138



CONVERTER p.556

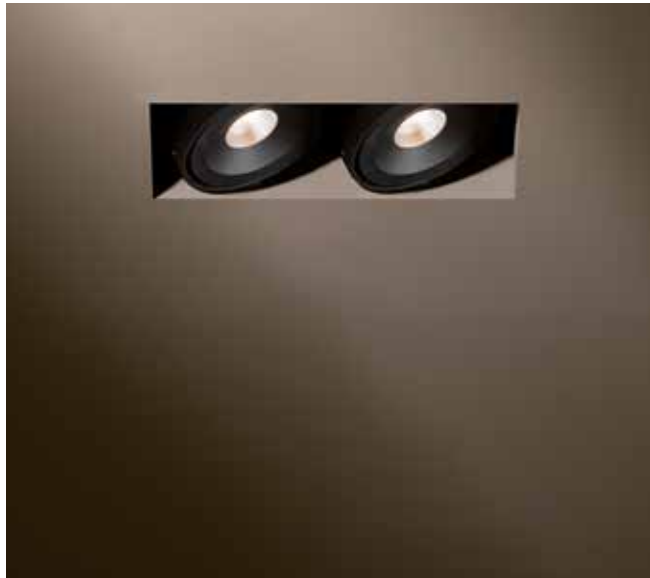


HOW TO INSTALL INCAS BEAUFORT²

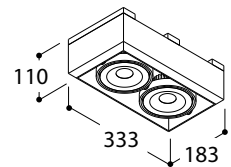


MAGNET POWER

- Easy to install
- Ideal to repaint



INCAS 2 BEAUFORT²



CITIZEN 2 x 18W
max. 500mA DC
2 x 2000 lumen
dimnable PWM or CCR
30°

A++

185 x 335 mm
Installation height 120 mm



	2700K		3000K	
	35°	70°	35°	70°
TEXT. WHITE	935254	935234	935255	935235
TEXT. BLACK	935257	935237	935258	935238



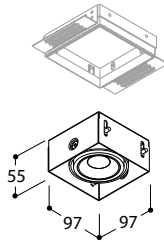
CONVERTER p.556



MINI PROJEXXAR BEAUFORT

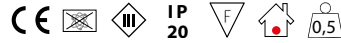


MINI PROJEXXAR 1 BEAUFORT



CITIZEN 6,22W
180mA DC (34,6 Vf)
dimnable PWM or CCR
758 lumen
CRI 92
beam 36°
↔ 30° ↕ 30°

A++



	2700K	3000K
TEXT. WHITE	409527	409537
TEXT. BLACK	409526	409536

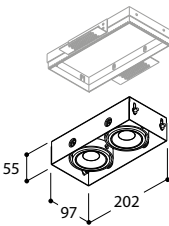
⊕ INSTALLATION FRAME FOR PLASTER **409199** 110 x 110 x 60 mm



CONVERTER p.552

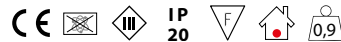


MINI PROJEXXAR 2 BEAUFORT



CITIZEN (x2) 6,22W
180mA DC (34,6 Vf)
dimnable PWM or CCR
2x 758 lumen
CRI 92
beam 36°
↔ 30° ↕ 30°

A++



	2700K	3000K
TEXT. WHITE	409627	409637
TEXT. BLACK	409626	409636

⊕ INSTALLATION FRAME FOR PLASTER **409299** 215 x 110 x 60 mm



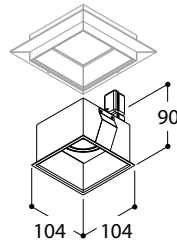
CONVERTER p.552

MINI RASPUTIN

trimless

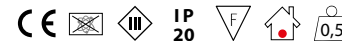


MINI RASPUTIN 1 BEAUFORT



CITIZEN 6,22W
max. 180mA DC (34,6 Vf)
dimnable PWM or CCR
758 lumen
CRI 92
beam 36°
↻ 359° ↕ 30°

A++



	2700K	3000K
TEXT. WHITE	211318	211328
TEXT. BLACK	211326	211336

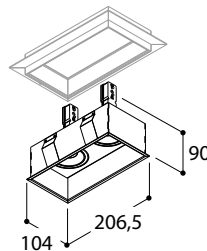
- INSTALLATION FRAME FOR PLASTER **702512** 112 x 112 x 95 mm
- INSTALLATION BOX FOR VISIBLE CONCRETE **702210** 200 x 235 x 180 mm
- FRAME FOR PLASTERED CONCRETE (3 MM) **702212** 220 x H 95 mm
- SURFACE KIT SMALL 1 CI 6,6W TEXT. WHITE **793128** p.242
- SURFACE KIT SMALL 1 CI 6,6W TEXT. BLACK **793136** p.242

CONVERTER p.552

GU10 versions: see website



MINI RASPUTIN 2 BEAUFORT



CITIZEN (x2) 6,22W
max. 180mA DC (34,6 V)
dimnable PWM or CCR
2x 758 lumen
CRI 92
beam 36°
↻ 359° ↕ 30°

A++



	2700K	3000K
TEXT. WHITE	211418	211428
TEXT. BLACK	211426	211436

- INSTALLATION FRAME FOR PLASTER **702522** 213 x 112 x 95 mm
- INSTALLATION FRAME + BOX FOR VISIBLE CONCRETE **702220** 260 x 235 x 180 mm
- FRAME FOR PLASTERED CONCRETE (3 MM) **702222** 2x 220 x H 95 mm
- SURFACE KIT SMALL 2 CI 13,2W TEXT. WHITE **793228** p.242
- SURFACE KIT SMALL 2 CI 13,2W TEXT. BLACK **793236** p.242

CONVERTER p.552

GU10 versions: see website

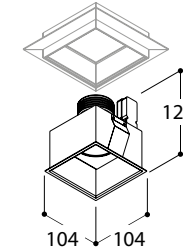




MINI RASPUTIN

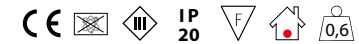


halo led MINI RASPUTIN 1 HALOLED



LUXEON M 7,84W
 max. 700mA DC (11,2 Vf)
 dimmable PWM or CCR
 755 lumen
 beam 36°
 ↻ 359° ↻ 30°

A+



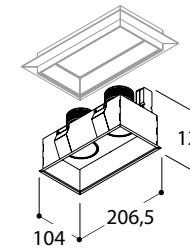
	2700K	3000K
TEXT. WHITE	211407	211417
TEXT. BLACK	211406	211416

- ⊕ INSTALLATION FRAME FOR PLASTER **720199** 112 x 112 x 130 mm
- ⊕ INSTALLATION FRAME + BOX FOR VISIBLE CONCRETE **702210** 200 x 235 x 180 mm
- ⊕ FRAME FOR PLASTERED CONCRETE (3 MM) **702212** 220 x H 130 mm

CONVERTER p.560

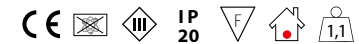
GU10 versions: see website

halo led MINI RASPUTIN 2 HALOLED



LUXEON M 7,84W (X2)
 max. 700mA DC (11,2 Vf)
 dimmable PWM or CCR
 2x 755 lumen
 beam 36°
 ↻ 359° ↻ 30°

A+



	2700K	3000K
TEXT. WHITE	211507	211517
TEXT. BLACK	211506	211516

- ⊕ INSTALLATION FRAME FOR PLASTER **720299** 213 x 112 x 130 mm
- ⊕ INSTALLATION FRAME + BOX FOR VISIBLE CONCRETE **702220** 260 x 235 x 180 mm
- ⊕ FRAME FOR PLASTERED CONCRETE (3 MM) **702222** 2x 220 x H 130 mm

CONVERTER p.560

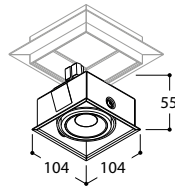
GU10 versions: see website

MINI TOMMY BEAUFORT

trimless

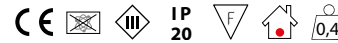


MINI TOMMY 1 BEAUFORT



CITIZEN 6,22W
max. 180mA DC (34,6 Vf)
dimmable PWM or CCR
758 lumen
CRI 92
beam 36°
↔ 30° ↕ 30°

A++



	2700K	3000K
TEXT. WHITE	109107	109117
TEXT. BLACK	109106	109116
BLACK + GOLD	109186	109196

- ⊙ INSTALLATION FRAME FOR PLASTER **702512** 112 x 112 x 60 mm
- ⊙ INSTALLATION BOX FOR VISIBLE CONCRETE **702210** 200 x 235 x 180 mm
- ⊙ FRAME FOR PLASTERED CONCRETE (3 MM) **702212** 220 x H 60mm
- ⊙ SURFACE KIT SMALL 1 CI 6,6W TEXT. WHITE **793128** p.242
- ⊙ SURFACE KIT SMALL 1 CI 6,6W TEXT. BLACK **793136** p.242

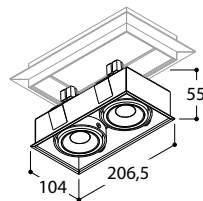


CONVERTER p.552

GU10 versions: see website

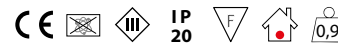


MINI TOMMY 2 BEAUFORT



CITIZEN (x2) 6,22W
max. 180mA DC (34,6 V)
dimmable PWM or CCR
2x 758 lumen
CRI 92
beam 36°
↔ 30° ↕ 30°

A++



	2700K	3000K
TEXT. WHITE	109207	109217
TEXT. BLACK	109206	109216
BLACK + GOLD	109286	109296

- ⊙ INSTALLATION FRAME FOR PLASTER **702522** 213 x 112 x 60 mm
- ⊙ INSTALLATION BOX FOR VISIBLE CONCRETE **702220** 260 x 235 x 180 mm
- ⊙ FRAME FOR PLASTERED CONCRETE (3 MM) **702222** 2x 220 x H 60mm
- ⊙ SURFACE KIT SMALL 2 CI 13,2W TEXT. WHITE **793228** p.242
- ⊙ SURFACE KIT SMALL 2 CI 13,2W TEXT. BLACK **793236** p.242



CONVERTER p.552

GU10 versions: see website

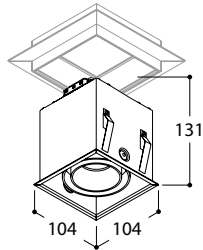




MINI TOMMY HALOLED

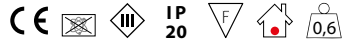


halo led MINI TOMMY TRIMLESS 1 HALOLED



LUXEON M 7,84W
700mA
beam 36°
755 lumen
dimnable PWM or CCR
↔ 359° ↕ 30°

A+



	2700K	3000K
TEXT. WHITE	117407	117417
TEXT. BLACK	117406	117416

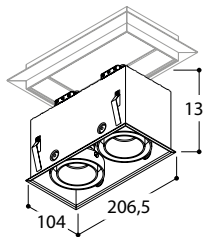
- ⊙ INSTALLATION FRAME FOR PLASTER **720199** 112 x 112 x 135 mm
- ⊙ INSTALLATION FRAME+ BOX FOR VISIBLE CONCRETE **702210** 200 x 235 x 180 mm
- ⊙ FRAME FOR PLASTERED CONCRETE (3 MM) **702212** 220 x H 135 mm
- ⊙ SURFACE KIT SMALL TEXT. WHITE **793118** p.242
- ⊙ SURFACE KIT SMALL TEXT. BLACK **793126** p.242

CONVERTER p.560

GU10 versions: see website

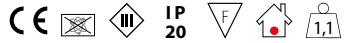


halo led MINI TOMMY TRIMLESS 2 HALOLED



LUXEON M 7,84W (x2)
700mA
beam 36°
2x 755 lumen
dimnable PWM or CCR
↔ 359° ↕ 30°

A+

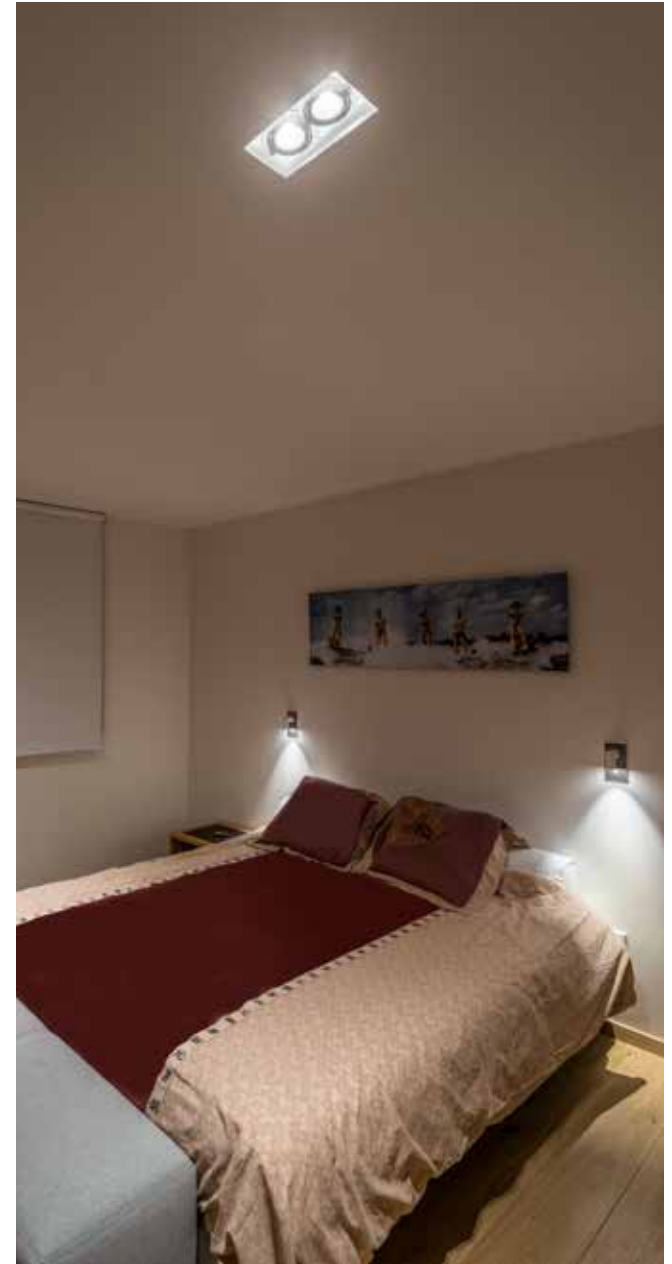


	2700K	3000K
TEXT. WHITE	117507	117517
TEXT. BLACK	117506	117516

- ⊙ INSTALLATION FRAME FOR PLASTER **720299** 213 x 112 x 135 mm
- ⊙ INSTALLATION FRAME+ BOX FOR VISIBLE CONCRETE **702220** 260 x 235 x 180 mm
- ⊙ FRAME FOR PLASTERED CONCRETE (3 MM) **702222** 2x 220 x H 135 mm
- ⊙ SURFACE KIT SMALL TEXT. WHITE **793218** p.242
- ⊙ SURFACE KIT SMALL TEXT. BLACK **793226** p.242

CONVERTER p.560

GU10 versions: see website



TOMMY BEAUFORT²

trimless



TOMMY 1 BEAUFORT²

CITIZEN 18W
max. 500mA DC
dimnable PWM or CCR
2000 lumen
↔ 30° ↕ 30°

A++

CE, IP 20, F, 1.2

	2700K		3000K	
	35°	70°	35°	70°
TEXT. WHITE	740137	740117	740138	740118
TEXT. BLACK	108146	108136	108147	108137

- ◉ FRAME FOR PLASTER **700109** 185 x 185 x 120 mm
- ◉ FRAME + BOX FOR VISIBLE CONCRETE **702010** 230 x 305 x 170 mm
- ◉ FRAME FOR PLASTERED CONCRETE (3 MM) **702012** 316 x H 120 mm
- ◉ SURFACE KIT LARGE 1 CI 500mA TEXT.WHITE **796628** p.243
- ◉ SURFACE KIT LARGE 1 CI 500mA TEXT.BLACK **796636** p.243

CONVERTER p.556



TOMMY 2 BEAUFORT²

CITIZEN (x2) 18W
max. 500mA DC
dimnable PWM or CCR
2x 2000 lumen
↔ 30° ↕ 30°

A++

CE, IP 20, F, 2.3

	2700K		3000K	
	35°	70°	35°	70°
TEXT. WHITE	740237	740217	740238	740218
TEXT. BLACK	108246	108236	108247	108237

- ◉ FRAME FOR PLASTER **700209** 337 x 185 x 120 mm
- ◉ FRAME + BOX FOR VISIBLE CONCRETE **702020** 382 x 305 x 170 mm
- ◉ FRAME FOR PLASTERED CONCRETE (3 MM) **702022** 2x 316 x H 120 mm
- ◉ SURFACE KIT LARGE 2 CI 500mA TEXT.WHITE **796728** p.243
- ◉ SURFACE KIT LARGE 2 CI 500mA TEXT.BLACK **796736** p.243

CONVERTER p.556



TOMMY TORNADO 3000

trimless



TOMMY 1 TORNADO 3000

PREVALED 27W
600mA DC (45 Vf)
3000 Lumen
↻ 179° ↻ 30°

A++

CE, IP 20, F, 2.5

	3000K	4000K
TEXTURED WHITE	462147	462157
TEXTURED BLACK	462126	462136

- ◉ FRAME FOR PLASTER **700109** 185 x 185 x 220 mm
- ◉ FRAME + BOX FOR VISIBLE CONCRETE **702110** 230 x 305 x 270 mm
- ◉ FRAME FOR PLASTERED CONCRETE (3 MM) **702012** 316 x H 220 mm
- ◉ TORNADO REFLECTOR SYSTEM **SEE TABLE**

Zhaga

CONVERTER p.558

TOMMY 2 TORNADO 3000

PREVALED (x2) 27W
600mA DC (45 Vf)
2 x 3000 Lumen
↻ 179° ↻ 30°

A++

CE, IP 20, F, 3.6

	3000K	4000K
TEXTURED WHITE	462247	462257
TEXTURED BLACK	462226	462236

- ◉ FRAME FOR PLASTER **700209** 337 x 185 x 220 mm
- ◉ FRAME + BOX FOR VISIBLE CONCRETE **702120** 382 x 305 x 270 mm
- ◉ FRAME FOR PLASTERED CONCRETE (3 MM) **702022** 2x 316 x H 220 mm
- ◉ TORNADO REFLECTOR SYSTEM **SEE TABLE**

Zhaga

CONVERTER p.558

TABLE REFLECTOR SYSTEM

frame for plaster

tommy trimless TORNADO
.choose color of luminaire
.choose led luminous flux (lm)
.choose led color temperature (K)

TORNADO head 4629xx
.choose color of head
.choose beamangle of reflector

◉ TORNADO REFL. SYSTEM	17°	24°	40°
TEXT. WHITE	462917	462927	462947
TEXT. BLACK	462916	462926	462946
◉ HONEYCOMB BLACK ANO	462900		

REMARK: ONE TORNADO REFLECTOR SYSTEM PER LEDSOURCE!

CONVERTOR TABLE

TORNADO 3000 DRIVERS

TORNADO REMOTE CONVERTER+WIRING

non-dimmable	DALI dimmable
930650	930651

600mA DC 35W - 230V-AC

3000 LUMEN = PASSIVE COOLING SYSTEM

TORNADO 5000 DRIVERS

TORNADO REMOTE CONVERTER+WIRING

non-dimmable	DALI dimmable
930652	930653

900mA DC 50W - 230V-AC

5000 LUMEN = ACTIVE COOLING SYSTEM

TOMMY TORNADO 5000



TOMMY 1 TORNADO 5000

PREVALED 38,4W
900mA DC (42,6 Vf)
5000 Lumen
↻ 179° ↕ 30°

A++

	3000K	4000K
TEXTURED WHITE	462447	462457
TEXTURED BLACK	462426	462436

- ◉ FRAME FOR PLASTER **700109** 185 x 185 x 220 mm
- ◉ FRAME + BOX FOR VISIBLE CONCRETE **702110** 230 x 305 x 270 mm
- ◉ FRAME FOR PLASTERED CONCRETE (3 MM) **702012** 316 x H 220 mm
- ◉ TORNADO REFLECTOR SYSTEM **SEE TABLE**

CONVERTER p.562

TOMMY 2 TORNADO 5000

PREVALED (x2) 38,4W
900mA DC (42,6 Vf)
2 x 5000 Lumen
↻ 179° ↕ 30°

A++

	3000K	4000K
TEXTURED WHITE	462547	462557
TEXTURED BLACK	462526	462536

- ◉ FRAME FOR PLASTER **700209** 337 x 185 x 220 mm
- ◉ FRAME + BOX FOR VISIBLE CONCRETE **702120** 382 x 305 x 270 mm
- ◉ FRAME FOR PLASTERED CONCRETE (3 MM) **702022** 2x 316 x H 220 mm

CONVERTER p.562

TABLE REFLECTOR SYSTEM

frame for plaster

tommy trimless TORNADO
.choose color of luminaire
.choose led luminous flux (lm)
.choose led color temperature (K)

TORNADO head 4629xx
.choose color of head
.choose beamangle of reflector

◉ TORNADO REFL. SYSTEM	17°	24°	40°
TEXT. WHITE	462917	462927	462947
TEXT. BLACK	462916	462926	462946
◉ HONEYCOMB BLACK ANO	462900		

REMARK: ONE TORNADO REFLECTOR SYSTEM PER LEDSOURCE!

CONVERTOR TABLE

TORNADO 3000 DRIVERS

TORNADO REMOTE CONVERTER+WIRING

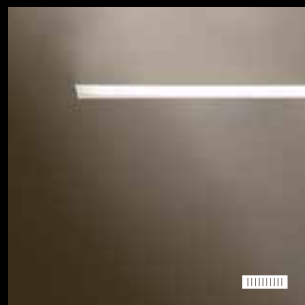
non-dimmable	DALI dimmable
930650	930651
600mA DC 35W - 230V-AC	
3000 LUMEN = PASSIVE COOLING SYSTEM	

TORNADO 5000 DRIVERS

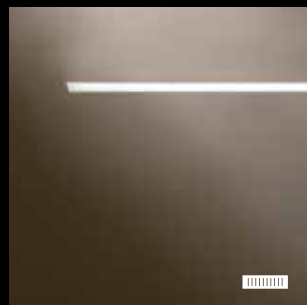
TORNADO REMOTE CONVERTER+WIRING

non-dimmable	DALI dimmable
930652	930653
900mA DC 50W - 230V-AC	
5000 LUMEN = ACTIVE COOLING SYSTEM	

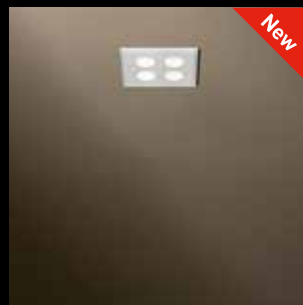
downlights



2U R 454



TAGLIO 418



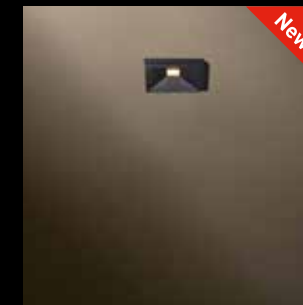
B4 134
⌀ 80 mm



CEDRUS BEAUFORT 106
⌀ 83 mm



CEDRUS QUANTUM 107
⌀ 76 mm



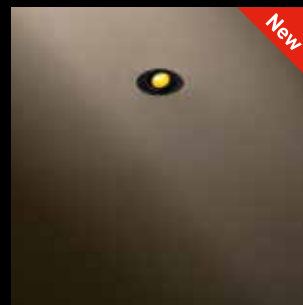
DICE EXO 138
⌀ 56 mm



HELAX 70 91
⌀ 70 mm



HELVA 100
⌀ 92 mm



MICRO ECLIPS 85
⌀ 56 mm



MICRO TOMMY 125
⊠ 52 x 52 mm



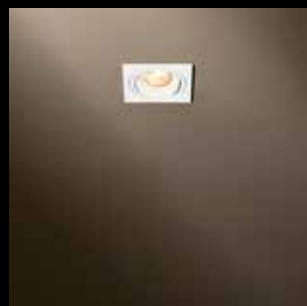
MINI HELAX 87
⌀ 40 mm



MINI HELVA XICATO 99
⌀ 74 mm



SOLID ROUND 113
⌀ 80 mm



SOLID SQUARE 115
⌀ 80 mm



SPINA 96
⌀ 70 mm



TOMMY 145
⊠ 175 x 175 mm

downlights



ECLIPS 119
⌀ 105 mm



FUNNEL 108
⌀ 76 mm
⌀ 92 mm



FUNNEL EXO 110
⌀ 56 mm



HELAX HALOSPHERE 94
⌀ 80 mm



HELAX MEDIUM 88
⌀ 56 mm



HELAX SML 102
⌀ 56 mm



MINI TOMMY 140
110 x 110 mm



NOBEL SFEROS 82
⌀ 70 mm



ODILON 137
⌀ 70 mm



ORBITAL 33
⌀ 125 mm



QUAD 130
80 x 80 mm



SIMPLON 116
⌀ 82 mm

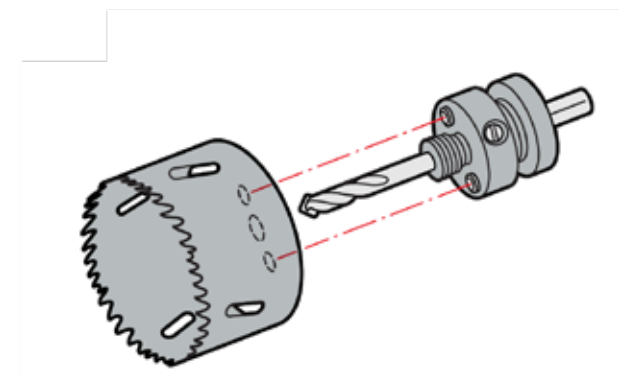
OVERVIEW ROUND CUT OUT

downlights

Dia	Fixture	Min. Recessed Depth	page
40	MINI HELAX	60	87
55	HELAX SML TORSION	65	102
56	DICE EXO	60	138
	HELAX SML LEAF	55 (70 for solid)	102
	HELAX MEDIUM	58 (70 for solid)	88
	FUNNEL EXO	65 (80 for solid)	110
	KOSMOS BASE	65	312
	MICRO ECLIPS LEAF	50 (65 for solid)	85
	MICRO ECLIPS TORSION	50	85
	68	CLIO QR-C51	90
CLIO GU10		135	www.tal.be
SIMPLON QR-C51		95	www.tal.be
SIMPLON GU10		135	www.tal.be
SIMPLON SPLASH		100	www.tal.be
FIX QR-C51		90	www.tal.be
FIX GU10		135	www.tal.be
70		HELAX QR-C51	115
	HELAX 70 HALOLED	85 (100 for solid)	91
	HELAX HALOLED IP54	85 (100 for solid)	92
	NOBEL SFEROS	75	82
	ODILON LEAF	75 (85 for solid)	137
	ODILON TORSION	75	137
	SPINA HALOLED	85 (100 for solid)	96
	SPINA QR-C51	130	www.tal.be
	SPINA GU10	130	www.tal.be

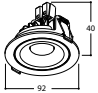
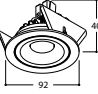
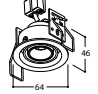
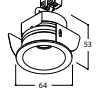
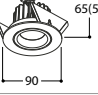
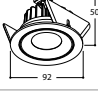

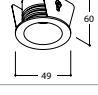
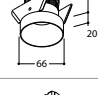
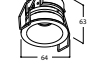
Dia	Fixture	Min. Recessed Depth	page
74	MINI HELVA XICATO ARTIST	95	99
76	FUNNEL FIX	75 (90 for solid)	108
	CEDRUS QUANTUM LEAF	85 (100 for solid)	107
	CEDRUS QUANTUM TORSION	100	107
80	B4 LEAF	75 (90 for solid)	134
	B4 TORSION	75	134
	HELAX HALOSPHERE	85	95
	SOLID QR-C51	90	www.tal.be
	SOLID GU10	135	www.tal.be
	SOLID HALOLED	55 (70 for solid)	113
	ORION QR-C51	90	www.tal.be
	ORION GU10	135	www.tal.be
82	SIMPLON HALOLED TORSION	55	118
	SIMPLON HALOLED LEAF	55 (70 for solid)	118
	SIMPLON BEAUFORT TORSION	45	116
	SIMPLON BEAUFORT LEAF	45 (60 for solid)	116
	83	CEDRUS GU10	125
CEDRUS GU10 TORSION		185	www.tal.be
CEDRUS BEAUFORT		100 (125 for solid)	106
92	HELVA QR-C51	115	www.tal.be
	HELVA GU10	130	www.tal.be
	HELVA BEAUFORT TORSION	70	100
	HELVA BEAUFORT LEAF	70 (80 for solid)	100
	FUNNEL FLEX	75 (90 for solid)	108
95	HELAX SML HALOLED	85 (100 for solid)	104

105	ECLIPS BEAUFORT	70(105 for solid)	119
125	ORBITAL LIGHT ONLY-SMOKE	45	43
127	HELAX SML BEAUFORT ²	90 (105 for solid)	105
154	ECLIPS QR111	125	www.tal.be
	ECLIPS BEAUFORT ²	125	120
	ECLIPS TORNADO	220	123

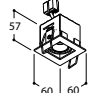
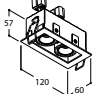
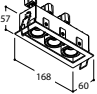
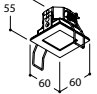
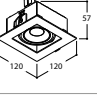
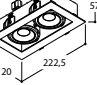


DOWNLIGHTS WITH LIMITED INSTALLATION HEIGHT (<65mm)

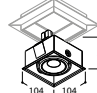
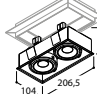
ROUND CUT OUT DOWNLIGHTS

Min. Recessed Height	Fixture	Page
45	 SIMPLON BEAUFORT TORSION	82 116
45 (60 for solid)	 SIMPLON BEAUFORT LEAF	82 116
50	 MICRO ECLIPS	56 85
55 (70 for solid)	 HELAX SML LEAF	55 102
55 (70 for solid)	 SOLID HALOLED	80 113
55 (70 for solid)	 SIMPLON HALOLED	82 118
58 (70 for solid)	 HELAX MEDIUM	56 88
60	 MINI HELAX	40 87
60	 DICE EXO	56 138
65	 FUNNEL EXO	56 110
65	 HELAX SML TORSION	55 102

RECTANGULAR CUT OUT DOWNLIGHTS

Min. Recessed Height	Fixture	Page
60	 MICRO TOMMY 1	52 x 52 125
60	 MICRO TOMMY 2	114 x 52 125
60	 MICRO TOMMY 3	162 x 52 125
60	 MICRO TOMMY IP54	52 x 52 129
60	 MINI TOMMY 1 BEAUFORT	110 x 110 140
60	 MINI TOMMY 2 BEAUFORT	210 x 110 140

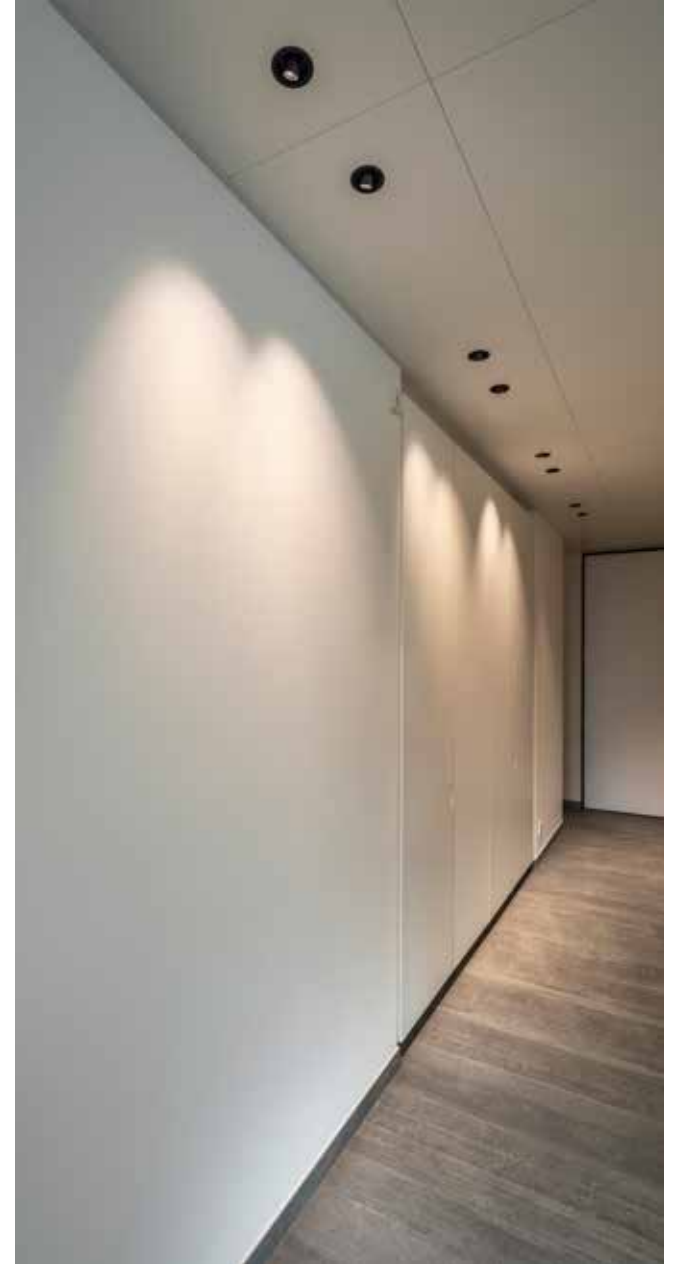
TRIMLESS

Min. Recessed Height	Fixture	Page
60	 MINI TOMMY 1 BEAUFORT	112 x 112 70
60	 MINI TOMMY 2 BEAUFORT	213 x 112 70

NO INTERFERENCE WITH THE VAPOUR BARRIER:
IDEAL FOR SUPER INSULATED HOUSES

NOBEL SFEROS

downlights



downlights  70 mm

NOBEL SFEROS

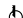


NOBEL SFEROS LEAF




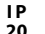


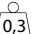


LUXEON M 3,82W
350mA DC
dimnable PWM or CCR
400 Lumen
beam 36°
↻ 359°
⤵ 55° tilt

A++

 70 mm
Installation height 75 (90) mm

	2700K	3000K
TEXT. WHITE	498447	498437
TEXT. BLACK	498426	498416
TEXTURED WHITE + GOLD	498492	498482
TEXT. WHITE + BLACK FOCUS	498494	498484
TEXT. BLACK + TEXT. WHITE FRONT	498495	498485
BLACK + GOLD	498496	498486


      

NOBEL SFEROS TORSION




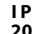





LUXEON M 3,82W
350mA DC
dimnable PWM or CCR
400 Lumen
beam 36°
↻ 359°
⤵ 60° tilt

A++

 70 mm
Installation height 75 mm

	2700K	3000K
TEXT. WHITE	498147	498137
TEXT. BLACK	498126	498116
TEXTURED WHITE + GOLD	498192	498182
TEXT. WHITE + BLACK FOCUS	498194	498184
TEXT. BLACK + TEXT. WHITE FRONT	498195	498185
BLACK + GOLD	498196	498186

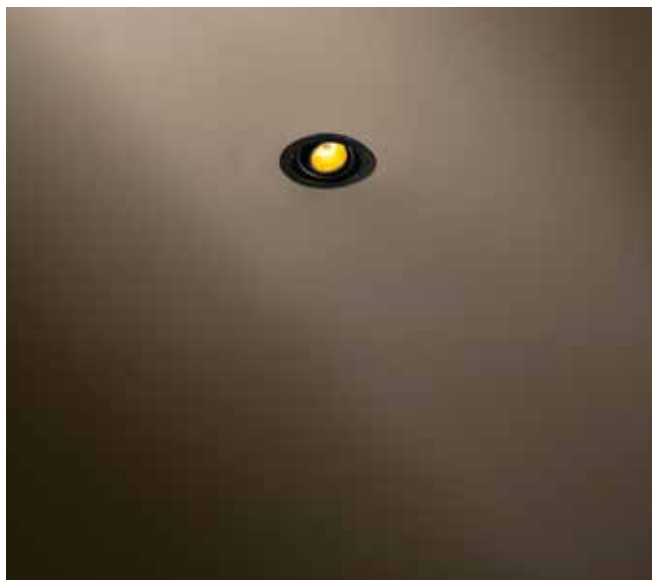
      



CONVERTER p.554

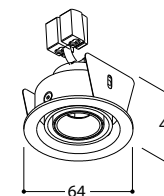
CONVERTER p.554





MICRO ECLIPS

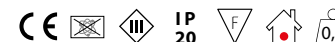
MICRO ECLIPS LEAF



LUXEON M 3,82W
350mA DC
dimmable PWM or CCR
400 Lumen
beam 36°
30°

A++

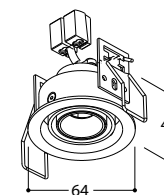
 56 mm



Installation height 65 [50] mm	2700K	3000K
TEXTURED WHITE	497447	497437
TEXTURED BLACK	497426	497416
TEXT. WHITE + GOLD FOCUS	497492	497482
TEXT. WHITE + BLACK FOCUS	497494	497484
TEXT. BLACK + WHITE FRONT	497495	497485
BLACK + GOLD	497496	497486

CONVERTER p.554

MICRO ECLIPS TORSION



LUXEON M 3,82W
350mA DC
dimmable PWM or CCR
400 Lumen
beam 36°
30°

A++

 56 mm



Installation height 50 mm	2700K	3000K
TEXTURED WHITE	497147	497137
TEXTURED BLACK	497126	497116
TEXT. WHITE + GOLD FOCUS	497192	497182
TEXT. WHITE + BLACK FOCUS	497194	497184
TEXT. BLACK + WHITE FRONT	497195	497185
BLACK + GOLD	497196	497186

CONVERTER p.554



downlights  40 mm

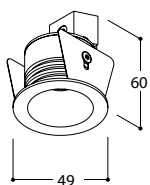
MINI HELAX



MINI HELAX 400



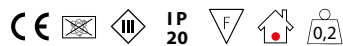
A++



LUXEON M 3,82W
350mA DC
dimnable PWM or CCR
400 Lumen
beam 36°

 40 mm

Installation height 60 mm



	2700K	3000K
TEXT. WHITE	178930	178931
TEXT. BLACK	178936	178937



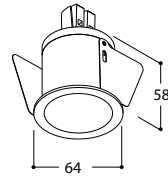
CONVERTER p.554

HELAX MEDIUM

 56 mm **downlights**

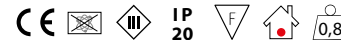


HELAX MEDIUM



LUXEON M 3,82W
350mA DC
dimnable PWM or CCR
400 Lumen

A++



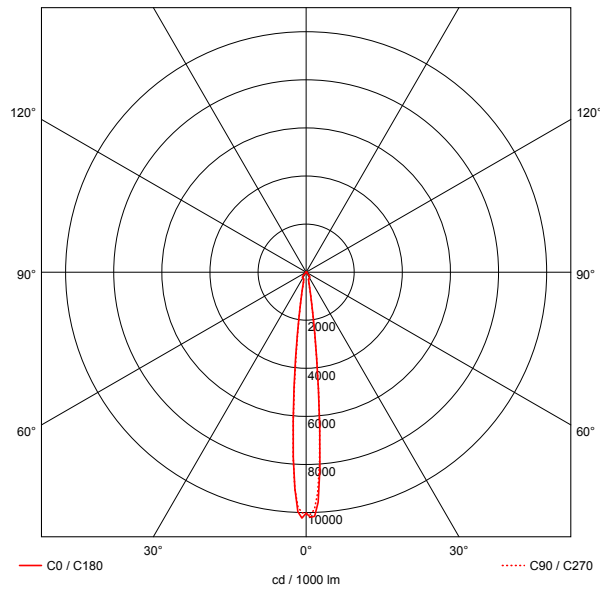
 56 mm

Installation height 80 [65] mm

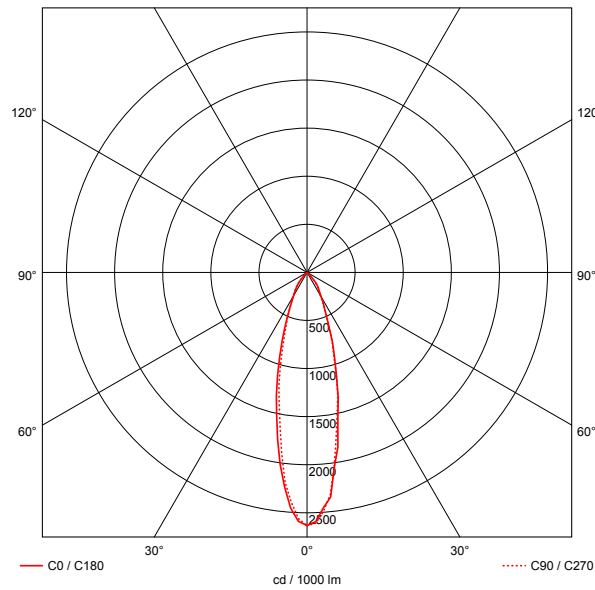
	2700K			3000K		
	12°	24°	39°	12°	24°	39°
TEXT. WHITE	249217	249237	249257	249227	249247	249267
TEXT. BLACK	249216	249236	249256	249226	249246	249266

CONVERTER p.554

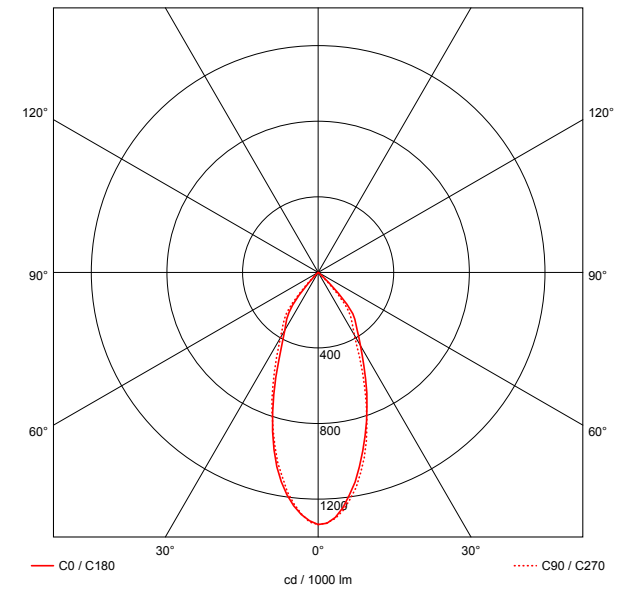
HELAX MEDIUM 12°



HELAX MEDIUM 24°



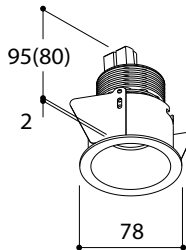
HELAX MEDIUM 39°





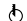


HELAX 70 HALOLED LEAF






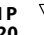
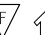
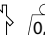

LUXEON M 7,84W
700mA DC
dimnable PWM or CCR
755 lumen
beam 36°


A+

 70 mm

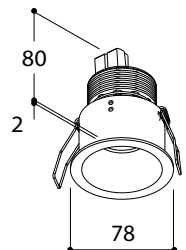
Installation height 100 (85) mm

	2700K	3000K	4000K
TEXT. WHITE	248047	248057	248067
TEXT. BLACK	248046	248056	248065


[CONVERTER p.560](#)  [GU10 versions: see website](#)

HELAX 70 HALOLED TORSION






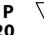
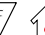
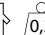

LUXEON M 7,84W
700mA DC
dimnable PWM or CCR
755 lumen
beam 36°


A+

 70 mm

Installation height 85 mm

	2700K	3000K	4000K
TEXT. WHITE	248017	248027	248037
TEXT. BLACK	248016	248026	248036

[CONVERTER p.560](#)  [GU10 versions: see website](#)

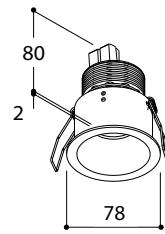


HELAX 70 OUT

 70 mm downlights

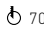


HELAX 70 OUT HALOLED TORSION



LUXEON M 7,84W
700mA DC
755 lumen
dimnable PWM or CCR
beam 36°

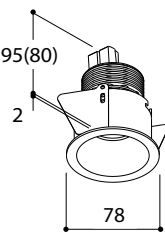
A+

 Installation height 85 mm

	2700K	3000K
TEXT. WHITE	249017	249027
TEXT. BLACK	249016	249026

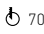
CONVERTER p.560

HELAX 70 OUT HALOLED LEAF



LUXEON M 7,84W
700mA DC
755 lumen
dimnable PWM or CCR
beam 36°

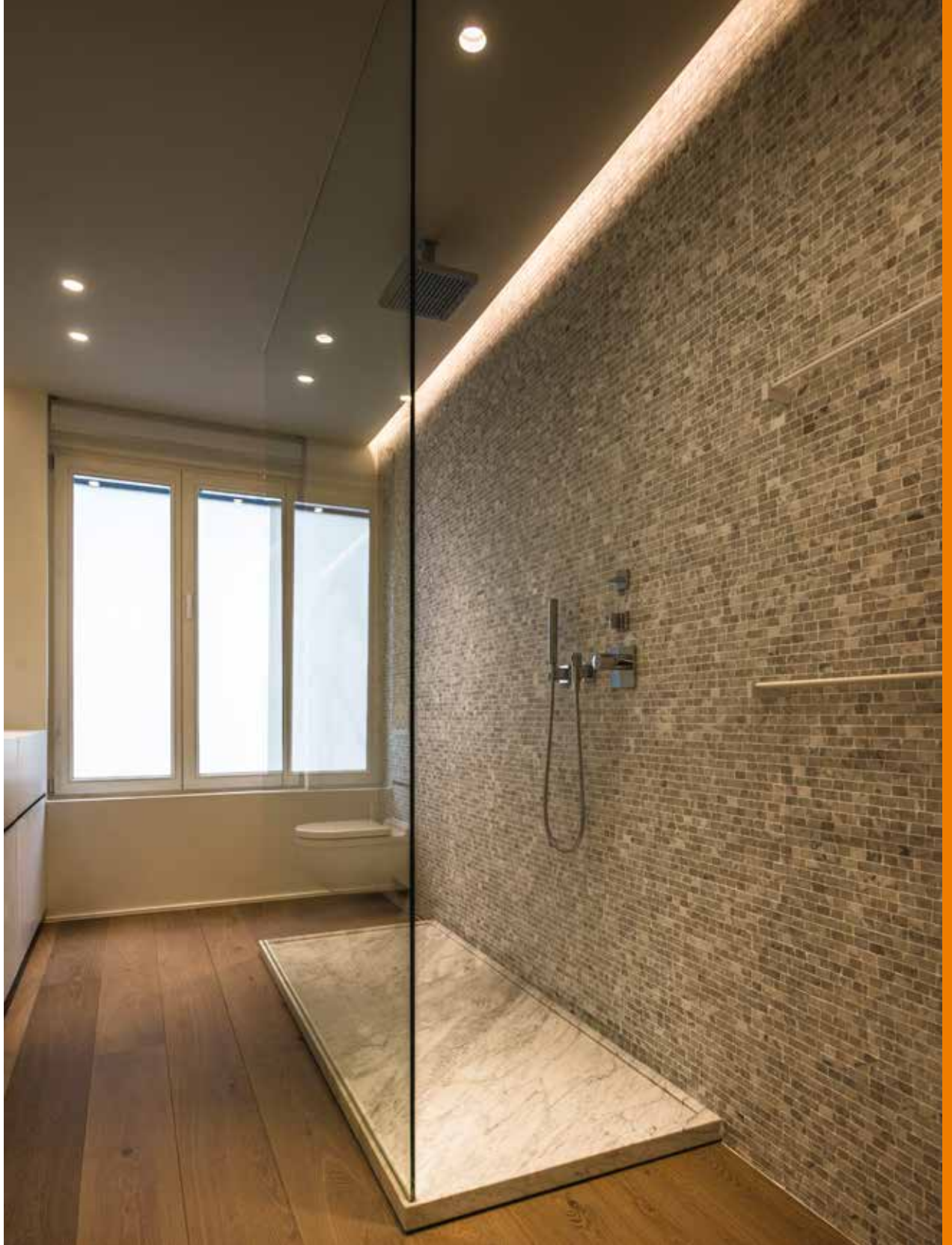
A+

 Installation height 100 (85) mm

	2700K	3000K
TEXT. WHITE	249047	249057
TEXT. BLACK	249046	249056

CONVERTER p.560





HELAX HALOSPHERE

80 mm downlights

100% POWER - 2700K



50% POWER - 2250K



10% POWER - 1800K



HELAX HALOSPHERE

CITIZEN 13,3W
max. 350mA DC (37,5 Vf)
dimnable CCR
950 Lumen
beam 35°
CRI 90

A+

80 mm
Installation height 105 (90) mm

CE, IP 20, F, 0.3

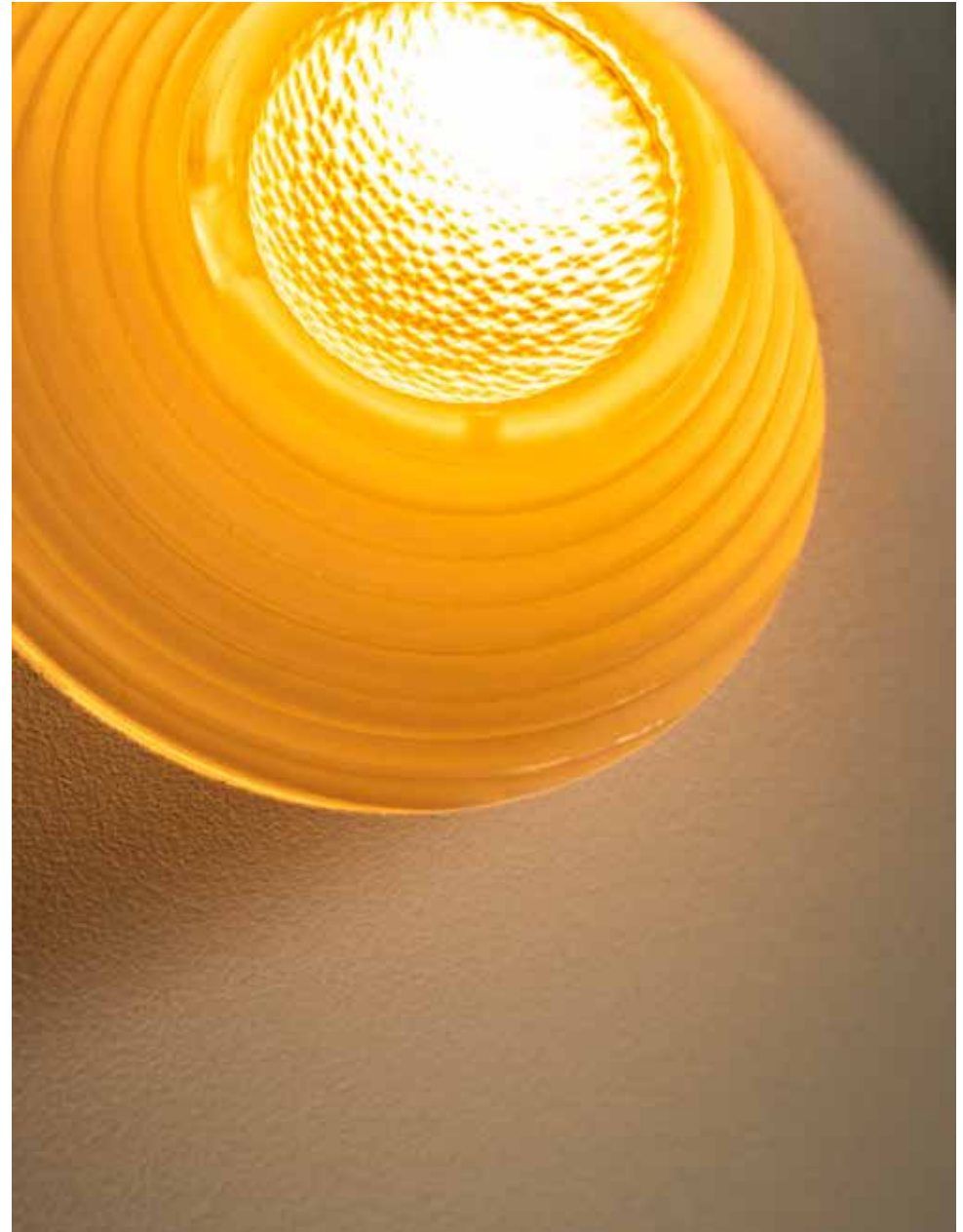
HALOSPHERE 2700K-1800K	
TEXT. WHITE	248647
TEXT. BLACK	248626

CONVERTER p.556

HALOSPHERE: dim to warm 2700K-1800K

downlights

HELAX HALOSPHERE

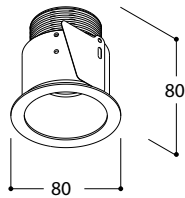


SPINA

 70 mm **downlights**



SPINA HALOLED LEAF

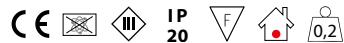


LUXEON M 7,84W
700mA DC
dimable PWM or CCR
755 lumen
beam 36°

A+

 70 mm

Installation height 100 [85] mm



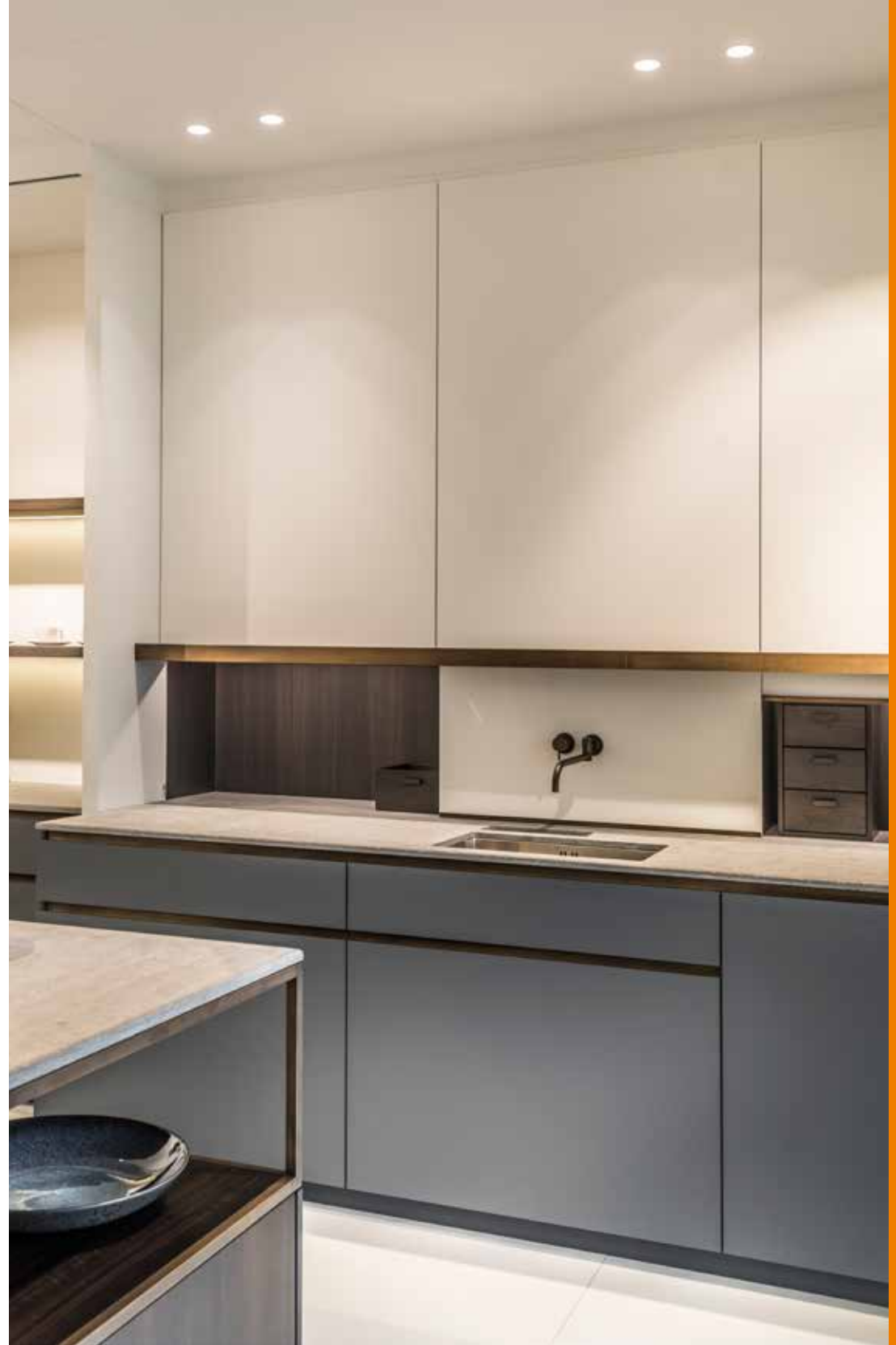
	2700K	3000K
BLACK + GOLD	315510	315540
TEXT. WHITE + TEXT. BLACK	315520	315550
TEXT. WHITE + GOLD	315530	315560



CONVERTER p.560

 [GU10 versions: see website](#)

downlights



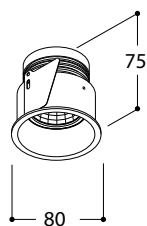


downlights  74 mm

MINI HELVA XICATO



MINI HELVA XICATO ARTIST

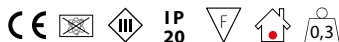


XICATO XTM 6,3W
350mA (18,1Vf)
dimmable PWM or CCR
720 Lumen
beam 40°
CRI 97

A++

 74 mm

Installation height 95 mm




	2700K	3000K
TEXT. WHITE	123047	123048
TEXT. BLACK	123026	123027

Other Xicato modules on request


XICATO
Making sense with LEDs

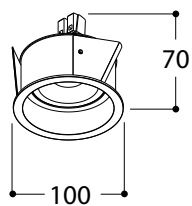
CONVERTER p.554

HELVA BEAUFORT

 92 mm downlights



HELVA BEAUFORT LEAF

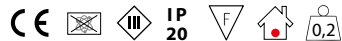


CITIZEN LED 6,22W
180mA DC (34,6 Vf)
Dimmable PWM or CCR
758 Lumen
CRI 92 (3000K = CRI 82, see p. 576)
beam 36°
↻ 359° ↕ 20°

A++

 92 mm


Installation height 70 (85) mm



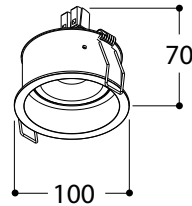
	2700K	3000K
TEXT. WHITE	133247	133257*
TEXT. BLACK	133226	133236*



CONVERTER p.552

 GU10 versions: see website

HELVA BEAUFORT TORSION



CITIZEN LED 6,22W
180mA DC (34,6 Vf)
Dimmable PWM or CCR
758 Lumen
CRI 92 (3000K = CRI 82, see p. 576)
beam 36°
↻ 359° ↕ 20°

A++

 92 mm

Installation height 70 mm

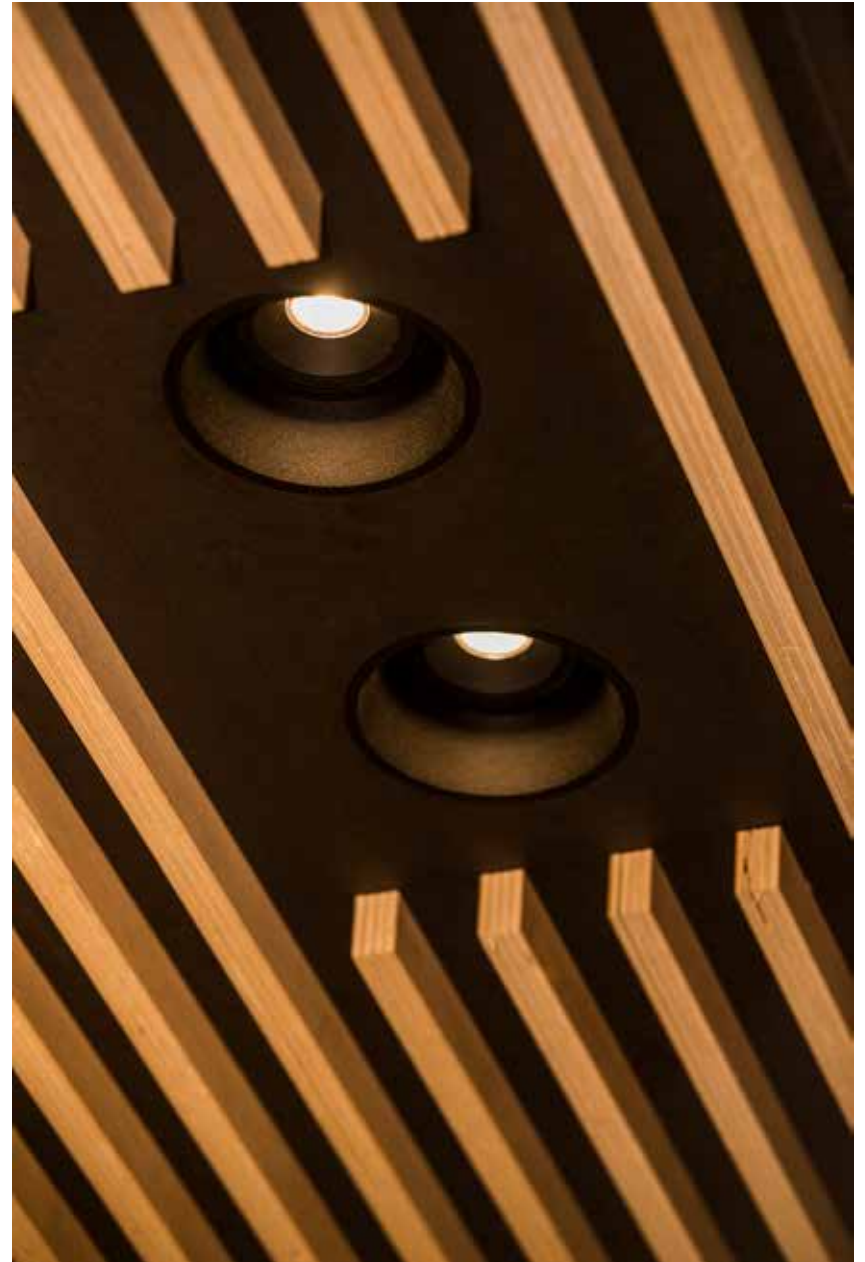


	2700K	3000K
TEXT. WHITE	133147	133157*
TEXT. BLACK	133126	133136*



CONVERTER p.552

 GU10 versions: see website

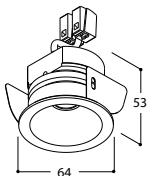


HELAX SML

 56 mm **downlights**

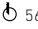


HELAX SML IP20 LEAF




LUXEON M 3,82W
350mA DC
dimnable PWM or CCR
400 Lumen
beam 36°



A++

 56 mm

Installation height 70 (55) mm

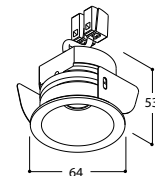
	2700K	3000K
TEXT. WHITE	178347	178357
TEXT. BLACK	178326	178336



 56 mm solid ceilings
 55 mm hollow ceilings


CONVERTER p.554

HELAX SML IP54 LEAF



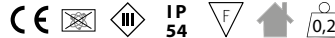
LUXEON M 3,82W
350mA DC
dimnable PWM or CCR
400 Lumen
beam 36°



A++

 56 mm

Installation height 70 (55) mm

	2700K	3000K
TEXT. WHITE	178547	178557
TEXT. BLACK	178526	178536

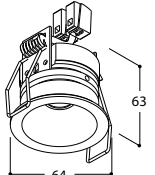


 56 mm solid ceilings
 55 mm hollow ceilings

CONVERTER p.554

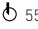


HELAX SML IP20 TORSION




LUXEON M 3,82W
350mA DC
dimnable PWM or CCR
400 Lumen
beam 36°

A++

 55 mm

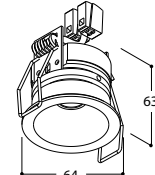
Installation height 65 mm

	2700K	3000K
TEXT. WHITE	178447	178457
TEXT. BLACK	178426	178436




CONVERTER p.554

HELAX SML IP54 TORSION




LUXEON M 3,82W
350mA DC
dimnable PWM or CCR
400 Lumen
beam 36°

A++

 55 mm

Installation height 65 mm

	2700K	3000K
TEXT. WHITE	178647	178657
TEXT. BLACK	178626	178636



CONVERTER p.554



HELAX SML HALOLED

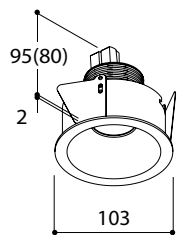
 95 mm downlights



HELAX SML HALOLED LEAF



HELAX SML HALOLED TORSION

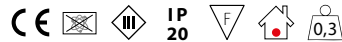


LUXEON M 7,84W
700mA DC
dimmable PWM or CCR
755 lumen
beam 36°

A+

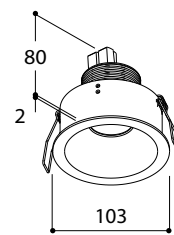
 95 mm

Installation height 100 (85) mm



	2700K	3000K	4000K
TEXT. WHITE	248147	248157	248167
TEXT. BLACK	248146	248156	248165

CONVERTER p.560

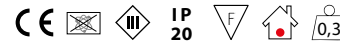


LUXEON M 7,84W
700mA DC
dimmable PWM or CCR
755 lumen
beam 36°

A+

 95 mm

Installation height 85 mm



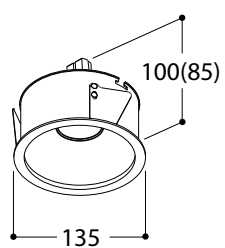
	2700K	3000K	4000K
TEXT. WHITE	248117	248127	248137
TEXT. BLACK	248116	248126	248136

CONVERTER p.560

HELAX SML BEAUFORT²

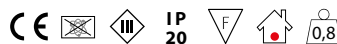


HELAX SML LEAF BEAUFORT²



Citizen 18W
MAX 500 mA DC
dimmable PWM or CCR
2000 Lumen

A++



 127 mm

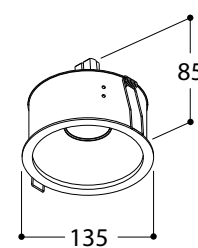
Installation height 105 (90) mm

	2700K		3000K		4000K	
	35°	70°	35°	70°	35°	70°
TEXT. WHITE	471147	471127	471177	471137	471157	471117
TEXT. BLACK	471146	471126	471176	471136	471156	471116



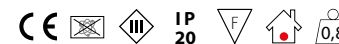
CONVERTER p.556

HELAX SML TORSION BEAUFORT²



Citizen 18W
MAX 500 mA DC
dimmable PWM or CCR
2000 Lumen

A++



 127 mm

Installation height 90 mm

	2700K		3000K		4000K	
	35°	70°	35°	70°	35°	70°
TEXT. WHITE	471047	471027	471077	471037	471057	471017
TEXT. BLACK	471046	471026	471076	471036	471056	471016



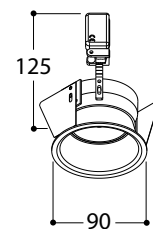
CONVERTER p.556

CEDRUS BEAUFORT

 83 mm downlights

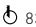


CEDRUS BEAUFORT LEAF



CITIZEN LED 6,22W
180mA DC (34,6 Vf)
Dimmable PWM or CCR
758 Lumen
beam 36°
CRI 92 (3000K = CRI 82, see p. 576)

A++

 83 mm
Installation height 125 (100) mm



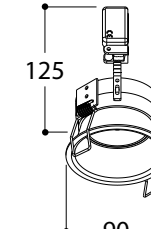
	2700K	3000K
TEXT. WHITE	348647	348657
TEXT. BLACK	348626	348636
GOLD	348613	348623

 FRAME FOR PLASTER 348000

CONVERTER p.552


 GU10 versions: see website

CEDRUS BEAUFORT TORSION



CITIZEN LED 6,22W
180mA DC (34,6 Vf)
Dimmable PWM or CCR
758 Lumen
beam 36°
CRI 92 (3000K = CRI 82, see p. 576)

A++

 83 mm
Installation height 100 mm



	2700K	3000K
TEXT. WHITE	348547	348557
TEXT. BLACK	348526	348536
GOLD	348513	348523

 FRAME FOR PLASTER 348000

CONVERTER p.552

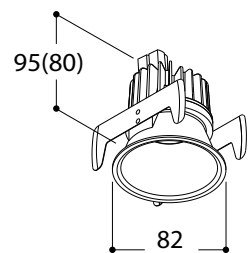
 GU10 versions: see website

downlights  76 mm

CEDRUS QUANTUM



CEDRUS QUANTUM LEAF

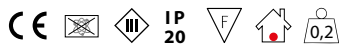


BRIDGELUX COB 6,2W
Max. 350mA DC (17,63 Vf)
720 lm
beam 36°
CRI 80

A++

 76 mm

Installation height 100 (85) mm



2700K

TEXT. WHITE **348847**

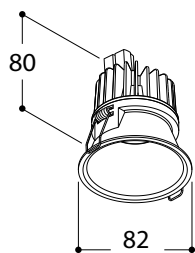
TEXT. BLACK **348826**

 FRAME FOR PLASTER

348100

CONVERTER p.554

CEDRUS QUANTUM TORSION

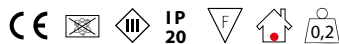


BRIDGELUX COB 6,2W
Max. 350mA DC (17,63 Vf)
720 lm
beam 36°
CRI 80

A++

 76 mm

Installation height 85 mm



2700K

TEXT. WHITE **348747**

TEXT. BLACK **348726**

 FRAME FOR PLASTER

348100

CONVERTER p.554

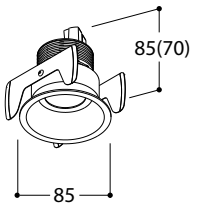
FUNNEL

 76/92 mm downlights



haloed FUNNEL FIX HALOLED LEAF









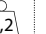


LUXEON M 7,84W
700mA DC
Dimmable PWM or CCR
755 lumen
beam 36°

A+

⚡ 76 mm

Installation height 90 [75] mm	2700K	3000K
TEXT. WHITE	469147	469157
TEXT. BLACK	469126	469136

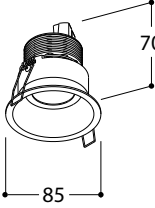
FRAME FOR PLASTER **348000**

Solid ceilings: 90mm installation height
False ceilings: 75mm installation height

[CONVERTER p.560](#)

haloed FUNNEL FIX HALOLED TORSION









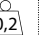


LUXEON M 7,84W
700mA DC
Dimmable PWM or CCR
755 lumen
beam 36°

A+

⚡ 76 mm

Installation height 75 mm	2700K	3000K
TEXT. WHITE	469047	469057
TEXT. BLACK	469026	469036

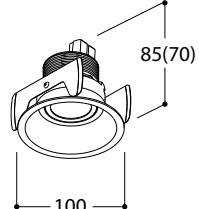
FRAME FOR PLASTER **348000**

[CONVERTER p.560](#)



haloed FUNNEL FLEX HALOLED LEAF









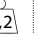


LUXEON M 7,84W
700mA DC
Dimmable PWM or CCR
755 lumen
beam 36°
⌀ 20°

A+

⚡ 92 mm

Installation height 90 [75] mm	2700K	3000K
TEXT. WHITE	469347	469357
TEXT. BLACK	469326	469336

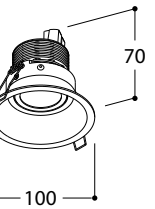
FRAME FOR PLASTER **348000**

Solid ceilings: 90mm installation height
False ceilings: 75mm installation height

[CONVERTER p.560](#)

haloed FUNNEL FLEX HALOLED TORSION









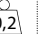


LUXEON M 7,84W
700mA DC
Dimmable PWM or CCR
755 lumen
beam 36°
⌀ 20°

A+

⚡ 92 mm

Installation height 75 mm	2700K	3000K
TEXT. WHITE	469247	469257
TEXT. BLACK	469226	469236

FRAME FOR PLASTER **348000**

[CONVERTER p.560](#)

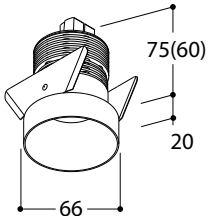


FUNNEL EXO

 56 mm downlights




halo led FUNNEL EXO HALOLED








LUXEON M 7,84W (11,2Vf)
700mA DC
Dimmable PWM or CCR
755 lumen
beam 36°

A+

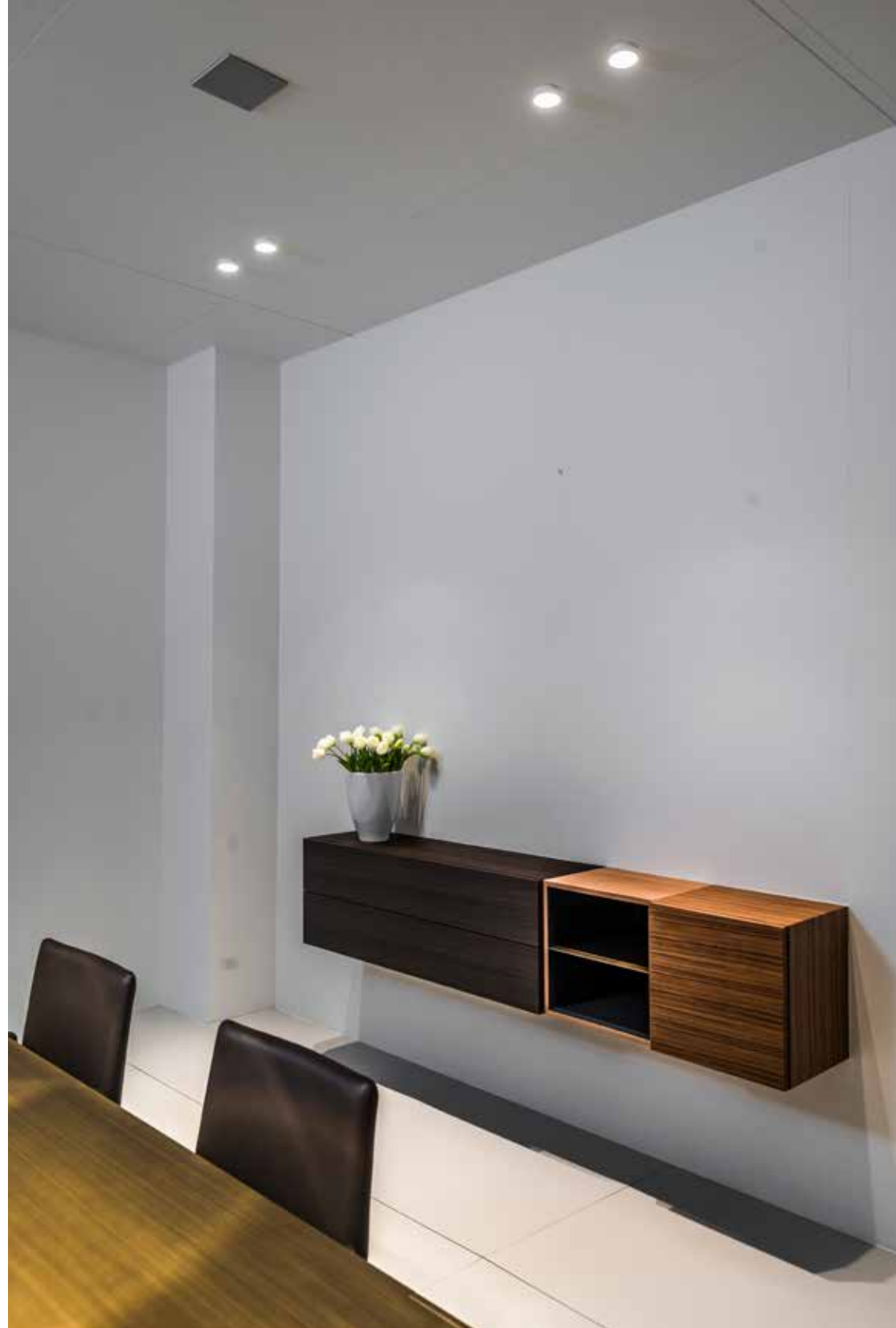
 56 mm
Installation height 80 (65) mm

	2700K	3000K
TEXT. WHITE	484647	484657
TEXT. BLACK	484626	484636

CE   IP 20   

CONVERTER p.560





SOLID ROUND

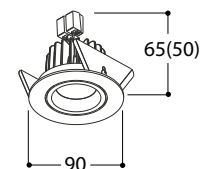
downlights





SOLID ROUND

SOLID ROUND HALOLED

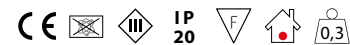


LUXEON M - 7,84W
700mA
dimnable PWM or CCR
755 lumen
beam 36°

A+

 80 mm

Installation height 70 (55) mm

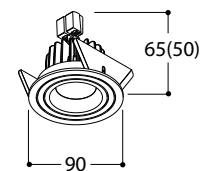


	2700K	3000K
TEXT. WHITE	466047	466057
TEXT. BLACK	466026	466036
BRUSHED ALU	466008	466018

CONVERTER p.560

 GU10 versions: see website

SOLID ROUND MOBY HALOLED

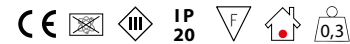


LUXEON M - 7,84W
700mA
dimnable PWM or CCR
755 lumen
beam 36°
359° ↻ 20°

A+

 80 mm

Installation height 70 (55) mm



	2700K	3000K
TEXT. WHITE	466147	466157
TEXT. BLACK	466126	466136
BRUSHED ALU	466108	466118

CONVERTER p.560

 GU10 versions: see website

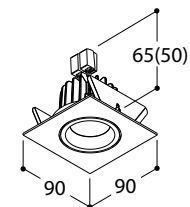


downlights  80 mm



SOLID SQUARE

SOLID SQUARE HALOLED

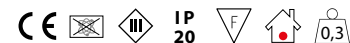


LUXEON M - 7,84W
700mA
dimnable PWM or CCR
755 lumen
beam 36°

A+

 80 mm

Installation height 70 (55) mm

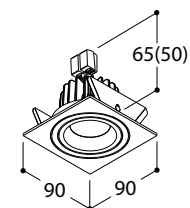


	2700K	3000K
TEXT. WHITE	466247	466257
TEXT. BLACK	466226	466236
BRUSHED ALU	466208	466218

CONVERTER p.560

 GU10 versions: see website

SOLID SQUARE MOBY HALOLED



LUXEON M - 7,84W
700mA
dimnable PWM or CCR
755 lumen
beam 36°
359° ↻ 20°

A+

 80 mm

Installation height 70 (55) mm



	2700K	3000K
TEXT. WHITE	466347	466357
TEXT. BLACK	466326	466336
BRUSHED ALU	466308	466318

CONVERTER p.560

 GU10 versions: see website

SIMPLON BEAUFORT

82 mm downlights



SIMPLON BEAUFORT LEAF



CITIZEN LED 6,22W
180mA DC (34,6 Vf)
Dimmable PWM or CCR
758 Lumen
CRI 92 (3000K = CRI 82, see p. 576)
beam 36°
± 20°

A++

82 mm
Installation height 45 (60) mm

	2700K	3000K
TEXT. WHITE	227947	227957*
TEXT. BLACK	227926	227936*

CONVERTER p.552

SIMPLON BEAUFORT TORSION



CITIZEN LED 6,22W
180mA DC (34,6 Vf)
Dimmable PWM or CCR
758 Lumen
CRI 92 (3000K = CRI 82, see p. 576)
beam 36°
± 20°

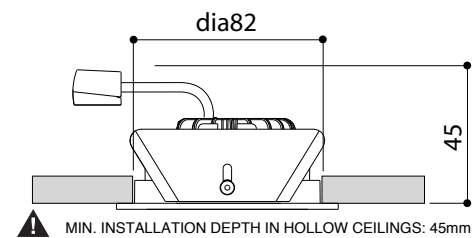
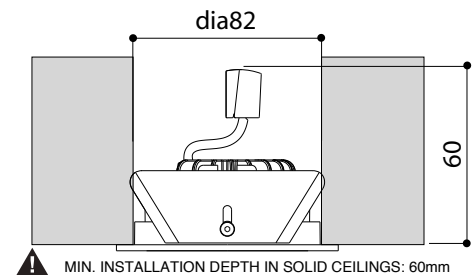
A++

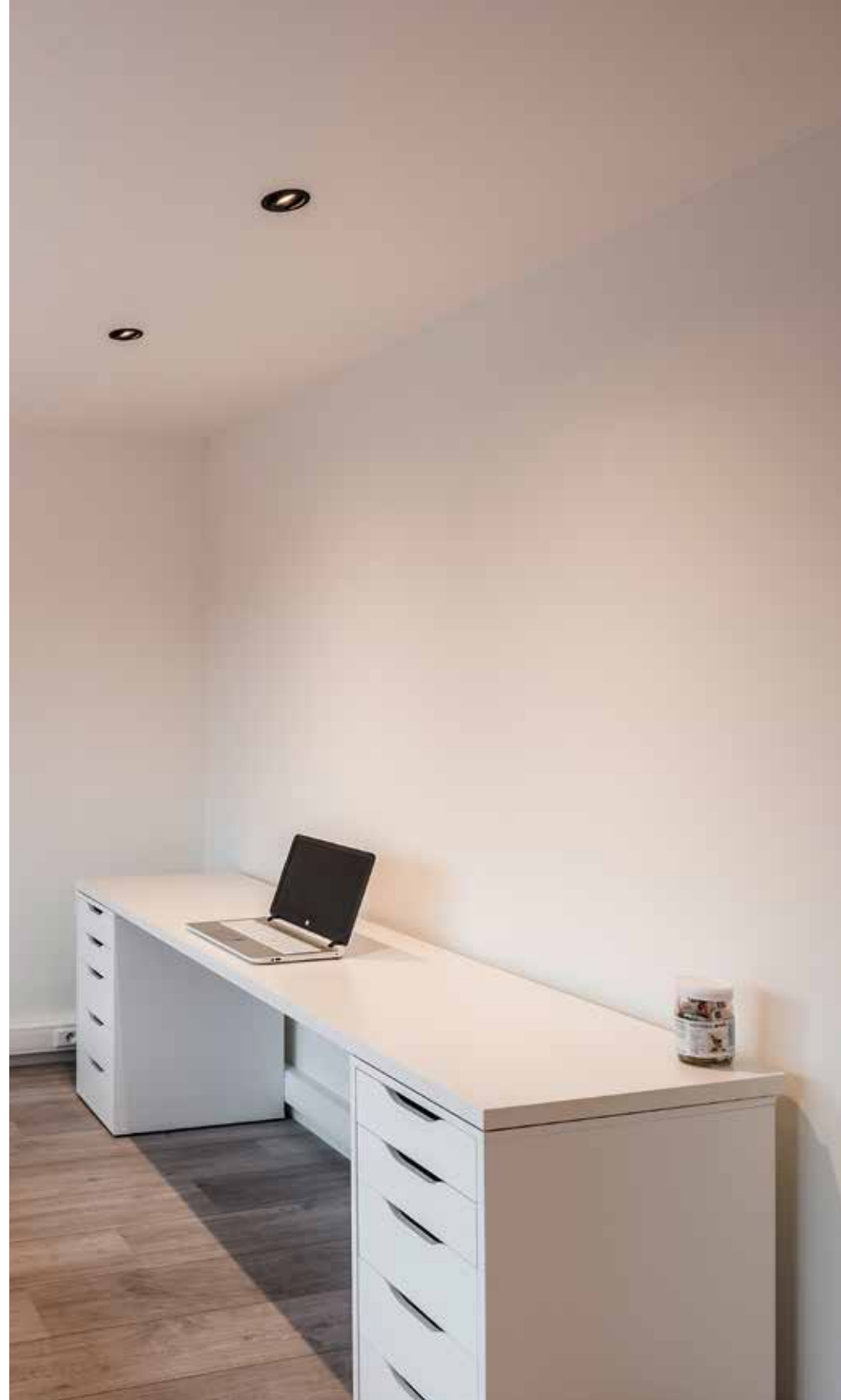
82 mm
Installation height 45 mm

	2700K	3000K
TEXT. WHITE	227847	227857*
TEXT. BLACK	227826	227836*


CONVERTER p.552

installation height with leaf :





SIMPLON HALOLED

 82 mm downlights

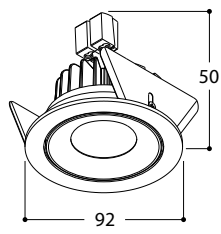


SIMPLON HALOLED LEAF



SIMPLON HALOLED TORSION




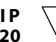

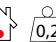




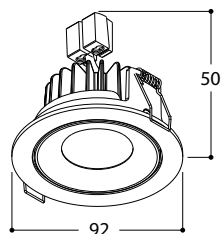
82 mm
Installation height 70 (55) mm

LUXEON M 7,84W
700mA DC
Dimmable PWM or CCR
755 lumen
beam 36°
± 20°

A+

     	2700K	3000K
TEXT. WHITE	227747	227757
TEXT. BLACK	227726	227736





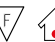
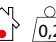
CONVERTER p.560



82 mm
Installation height 55 mm

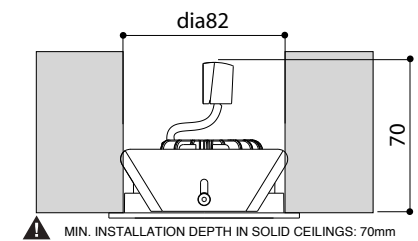
LUXEON M 7,84W
700mA DC
Dimmable PWM or CCR
755 lumen
beam 36°
± 20°

A+

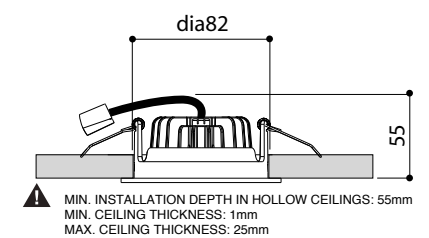
     	2700K	3000K
TEXT. WHITE	227647	227657
TEXT. BLACK	227626	227636

CONVERTER p.560

Leaf (for all ceiling types) :

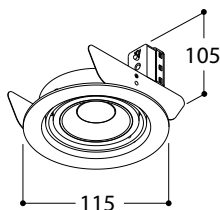


Torsion (only for hollow ceilings) :





ECLIPS ROUND BEAUFORT

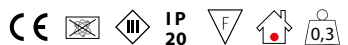


CITIZEN LED 6,22W
180mA DC (34,6 Vf)
Dimmable PWM or CCR
758 Lumen
CRI 92 (3000K = CRI 82, see p. 576)
beam 36°
30°



 105 mm

Installation height 70 mm



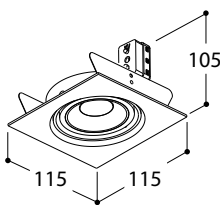
	2700K	3000K
TEXT. WHITE	426247	426257*
TEXT. BLACK	426226	426236*



CONVERTER p.552



ECLIPS SQUARE BEAUFORT

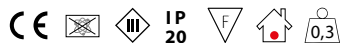


CITIZEN LED 6,22W
180mA DC (34,6 Vf)
Dimmable PWM or CCR
758 Lumen
CRI 92 (3000K = CRI 82, see p. 576)
beam 36°
30°



 105 mm

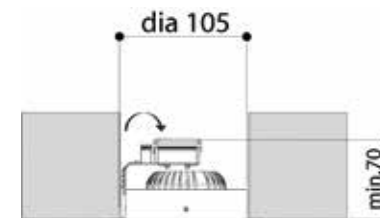
Installation height 70 mm



	2700K	3000K
TEXT. WHITE	426347	426357*
TEXT. BLACK	426326	426336*




ECLIPS BEAUFORT LIMITED DEPTH



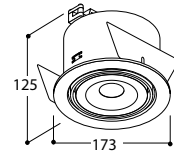
CONVERTER p.552

ECLIPS BEAUFORT²

 154 mm downlights

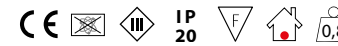


ECLIPS BEAUFORT² LEAF



CITIZEN 18W
MAX 500mA DC
dimnable PWM or CCR
2000 Lumen
30°

A++



 154 mm

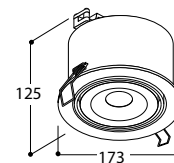
Installation height 125 mm

	2700K		3000K	
	35°	70°	35°	70°
TEXT. WHITE	340447	340427	340477	340437
TEXT. BLACK	340446	340426	340476	340436



CONVERTER p.556

ECLIPS BEAUFORT² TORSION



CITIZEN 18W
MAX 500mA DC
dimnable PWM or CCR
2000 Lumen
30°

A++



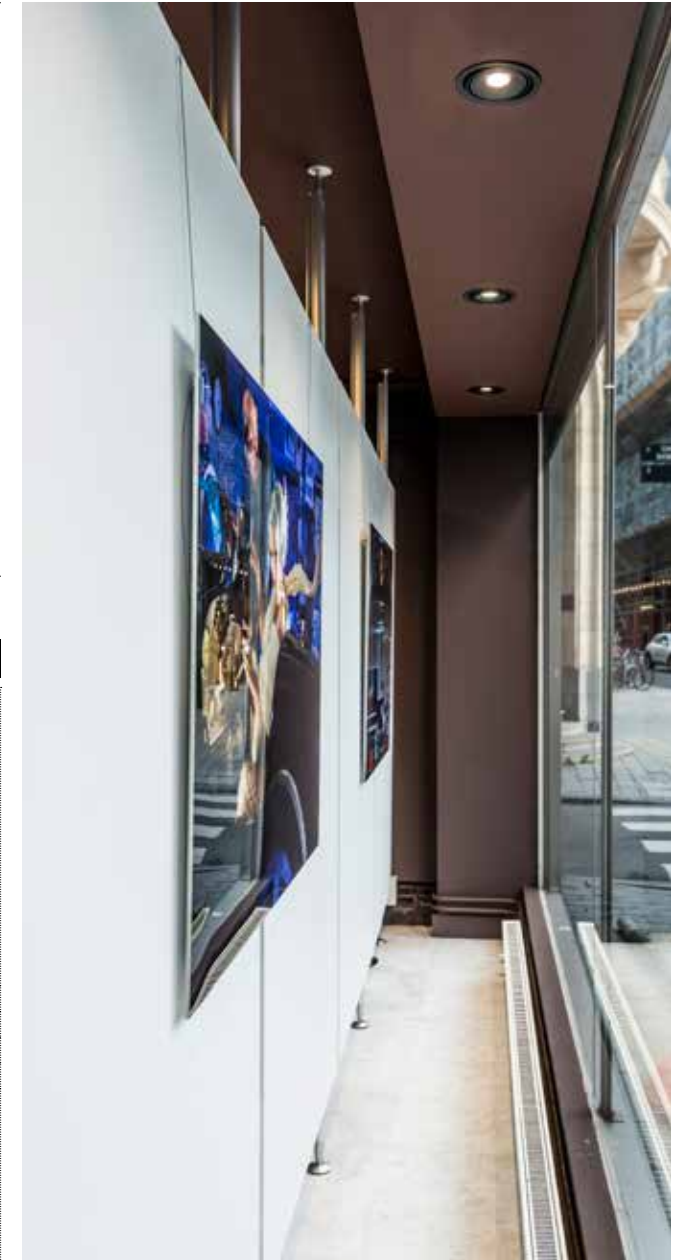
 154 mm

Installation height 125 mm

	2700K		3000K	
	35°	70°	35°	70°
TEXT. WHITE	339447	339427	339477	339437
TEXT. BLACK	339446	339426	339476	339436



CONVERTER p.556



downlights

ECLIPS BEAUFORT²





downlights



CONVERTOR TABLE

TORNADO 3000 DRIVERS

TORNADO REMOTE CONVERTER+WIRING

non-dimmable	DALI dimmable
930650	930651

600mA DC 35W - 230V-AC

3000 LUMEN = PASSIVE COOLING SYSTEM

TORNADO 5000 DRIVERS

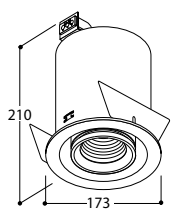
TORNADO REMOTE CONVERTER+WIRING

non-dimmable	DALI dimmable
930652	930653

900mA DC 50W - 230V-AC

5000 LUMEN = ACTIVE COOLING SYSTEM

ECLIPS TORNADO LEAF 3000



PREVALED 27W
600mA DC (45 Vf)
3000 Lumen
↻ 179° ↕ 30°

A++

154 mm
Installation height 220 mm

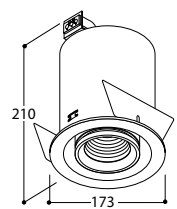
	3000K	4000K
TEXTURED WHITE	464147	464157
TEXTURED BLACK	464126	464136

TORNADO REFL. SYSTEM	17°	24°	40°
TEXT. WHITE	462917	462927	462947
TEXT. BLACK	462916	462926	462946
HONEYCOMB BLACK ANO	462900		

REMARK: ONE TORNADO REFLECTOR SYSTEM PER LEDSOURCE!

DEDICATED DRIVERS: SEE CONVERTOR TABLE

ECLIPS TORNADO LEAF 5000



PREVALED 38,4W
900mA DC (42,6 Vf)
5000 Lumen
↻ 179° ↕ 30°

A++

154 mm
Installation height 220 mm

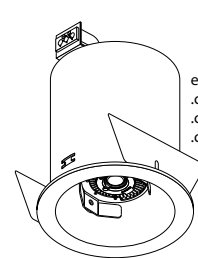
	3000K	4000K
TEXTURED WHITE	464347	464357
TEXTURED BLACK	464326	464336

TORNADO REFL. SYSTEM	17°	24°	40°
TEXT. WHITE	462917	462927	462947
TEXT. BLACK	462916	462926	462946
HONEYCOMB BLACK ANO	462900		

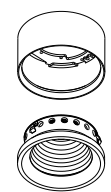
REMARK: ONE TORNADO REFLECTOR SYSTEM PER LEDSOURCE!

DEDICATED DRIVERS: SEE CONVERTOR TABLE

TABLE REFLECTOR SYSTEM LEAF

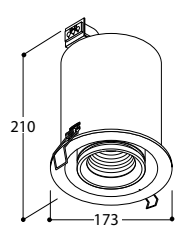


eclips TORNADO
.choose color of luminaire
.choose led luminous flux (lm)
.choose led color temperature (K)



TORNADO head 4629xx
.choose color of head
.choose beamangle of reflector

ECLIPS TORNADO TORSION 3000



PREVALED 27W
600mA DC (45 Vf)
3000 Lumen
↻ 179° ↕ 30°

A++

154 mm
Installation height 220 mm

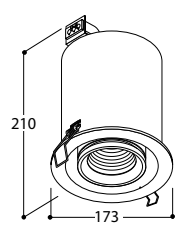
	3000K	4000K
TEXTURED WHITE	464247	464257
TEXTURED BLACK	464226	464236

TORNADO REFL. SYSTEM	17°	24°	40°
TEXT. WHITE	462917	462927	462947
TEXT. BLACK	462916	462926	462946
HONEYCOMB BLACK ANO	462900		

REMARK: ONE TORNADO REFLECTOR SYSTEM PER LEDSOURCE!

DEDICATED DRIVERS: SEE CONVERTOR TABLE

ECLIPS TORNADO TORSION 5000



PREVALED 38,4W
900mA DC (42,6 Vf)
5000 Lumen
↻ 179° ↕ 30°

A++

154 mm
Installation height 220 mm

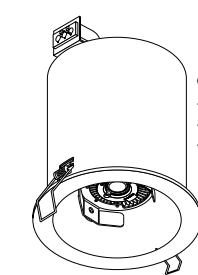
	3000K	4000K
TEXTURED WHITE	464447	464457
TEXTURED BLACK	464426	464536

TORNADO REFL. SYSTEM	17°	24°	40°
TEXT. WHITE	462917	462927	462947
TEXT. BLACK	462916	462926	462946
HONEYCOMB BLACK ANO	462900		

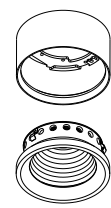
REMARK: ONE TORNADO REFLECTOR SYSTEM PER LEDSOURCE!

DEDICATED DRIVERS: SEE CONVERTOR TABLE

TABLE REFLECTOR SYSTEM TORSION

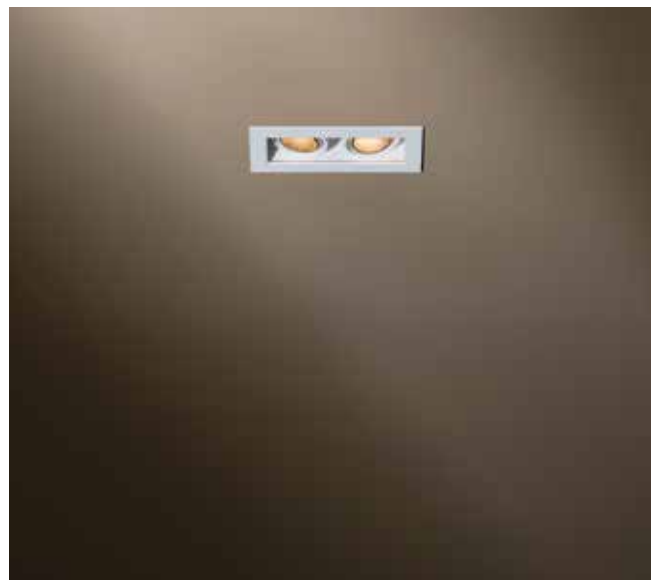
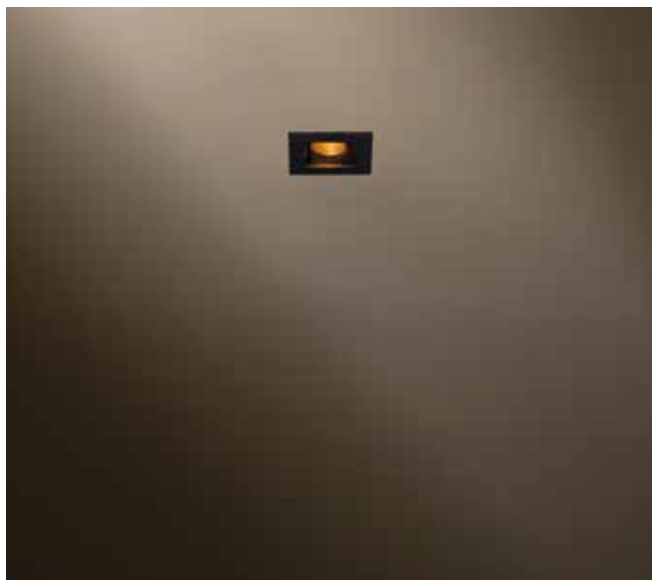


eclips TORNADO
.choose color of luminaire
.choose led luminous flux (lm)
.choose led color temperature (K)

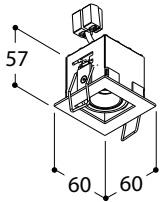


TORNADO head 4629xx
.choose color of head
.choose beamangle of reflector











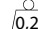
MICRO TOMMY 1 TORSION



57
60 60



LUXEON M 3,82W
350mA DC
dimmable PWM or CCR
400 lumen
beam 36°
15-20°

A++

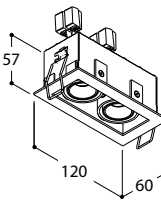
	2700K	3000K
TEXT. WHITE	419147	419137
TEXT. BLACK	419126	419116
TEXT. WHITE & BLACK FOCUS	419194	419184
TEXT. BLACK & WHITE FRONT	419195	419185
BLACK & GOLD	419196	419186

52 x 52 mm
Installation height 60 mm

-  MICRO FRAME FOR PLASTER **419199** 140 x 85 x H60 mm
-  MICRO BOX FOR PLASTER FINISH **419197** 155 x 85 x H90 mm

CONVERTER p.554







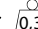
MICRO TOMMY 2 TORSION



57
114 60



LUXEON M 3,82W (x2)
350mA DC
dimmable PWM or CCR
2 x 400 lumen
beam 36°
35-20°

A++

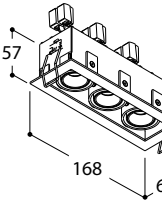
	2700K	3000K
TEXT. WHITE	419247	419237
TEXT. BLACK	419226	419216
TEXT. WHITE & BLACK FOCUS	419294	419284
TEXT. BLACK & WHITE FRONT	419295	419285
BLACK & GOLD	419296	419286

114 x 52 mm
Installation height 60 mm

-  MICRO FRAME FOR PLASTER **419299** 200 x 235 x H60 mm
-  MICRO BOX FOR PLASTER FINISH **419297** 200 x 235 x H150 mm

CONVERTER p.554







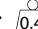
MICRO TOMMY 3 TORSION



57
162 60



LUXEON M 3,82W (x3)
350mA DC
dimmable PWM or CCR
3 x 400 lumen
beam 36°
35-20°

A++

	2700K	3000K
TEXT. WHITE	419347	419337
TEXT. BLACK	419326	419316
TEXT. WHITE & BLACK FOCUS	419394	419384
TEXT. BLACK & WHITE FRONT	419395	419385
BLACK & GOLD	419396	419386

162 x 52 mm
Installation height 60 mm

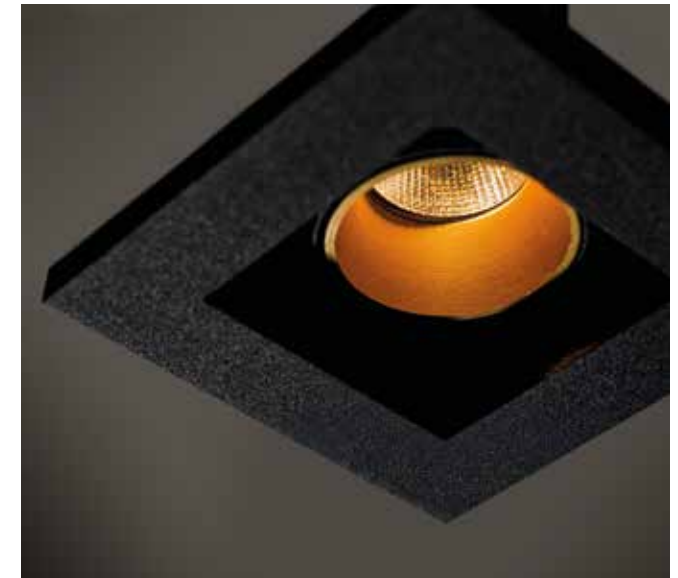
-  MICRO FRAME FOR PLASTER **419399** 260 x 235 x H60 mm
-  MICRO BOX FOR PLASTER FINISH **419397** 260 x 235 x H150 mm

CONVERTER p.554





MICRO TOMMY LEAF



MICRO TOMMY 1 LEAF

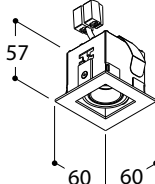


MICRO TOMMY 2 LEAF



MICRO TOMMY 3 LEAF







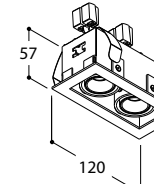
LUXEON M 3,82W
350mA DC
dimmable PWM or CCR
400 lumen
beam 36°
15-20°

A++

52 x 52 mm
Installation height 60 mm

	2700K	3000K
TEXT. WHITE	419447	419437
TEXT. BLACK	419426	419416
TEXT. WHITE & BLACK FOCUS	419494	419484
TEXT. BLACK & WHITE FRONT	419495	419485
BLACK & GOLD	419496	419486

 MICRO FRAME FOR PLASTER **419199** 140 x 85 x H60 mm
 MICRO BOX FOR PLASTER FINISH **419197** 155 x 85 x H90 mm





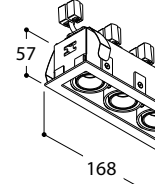
LUXEON M 3,82W x 2
350mA DC
dimmable PWM or CCR
2 x 400 lumen
beam 36°
35-20°

A++

114 x 52 mm
Installation height 60 mm

	2700K	3000K
TEXT. WHITE	419547	419537
TEXT. BLACK	419526	419516
TEXT. WHITE & BLACK FOCUS	419594	419584
TEXT. BLACK & WHITE FRONT	419595	419585
BLACK & GOLD	419596	419586

 MICRO FRAME FOR PLASTER **419299** 200 x 235 x H60 mm
 MICRO BOX FOR PLASTER FINISH **419297** 200 x 235 x H150 mm





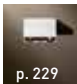
LUXEON M 3,82W x 3
350mA DC
dimmable PWM or CCR
3 x 400 lumen
beam 36°
35-20°

A++

162 x 52 mm
Installation height 60 mm

	2700K	3000K
TEXT. WHITE	419647	419637
TEXT. BLACK	419626	419616
TEXT. WHITE & BLACK FOCUS	419694	419684
TEXT. BLACK & WHITE FRONT	419695	419685
BLACK & GOLD	419696	419686

 MICRO FRAME FOR PLASTER **419399** 260 x 235 x H60 mm
 MICRO BOX FOR PLASTER FINISH **419397** 260 x 235 x H150 mm

 p. 229

CONVERTER p.554

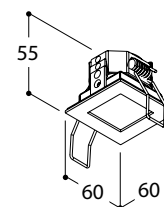
CONVERTER p.554

CONVERTER p.554

MICRO TOMMY IP54



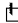
MICRO TOMMY IP54



LUXEON M 3,82W
350mA DC
dimable PWM or CCR
400 lumen
beam 36°

A++


 52 x 52 mm

Installation height 60 mm

	2700K	3000K
TEXT. WHITE	472147	472137
TEXT. BLACK	472126	472116
TEXT. WHITE & BLACK FOCUS	472194	472184
BLACK & GOLD	472196	472186
TEXT. WHITE & BLACK INSIDE	472195	472185
TEXT. WHITE + GOLD	472192	472182

 MICRO FRAME FOR PLASTER

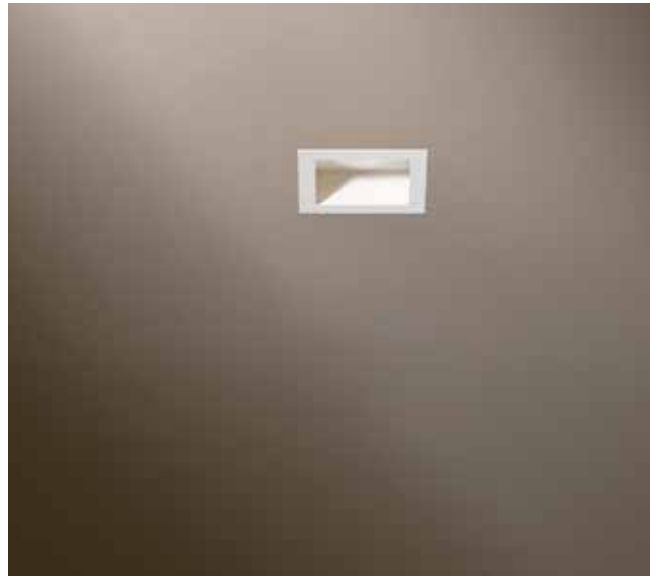
419199  140 x 85 x H60 mm

 MICRO BOX FOR PLASTER FINISH

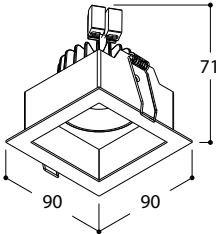
419197  155 x 85 x H90 mm

CONVERTER p.554

QUAD BEAUFORT







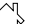

QUAD BEAUFORT





80 x 80 mm
Installation height 71 mm


CITIZEN LED 6,22W
180mA DC (34,6 Vf)
Dimmable PWM or CCR
758 Lumen
CRI 92 (3000K = CRI 82, see p. 576)
beam 36°

A++

CE      

	2700K	3000K
TEXT. WHITE	750431	750441
TEXT. BLACK	750450	750460
TEXT. WHITE + CHROME	750434	750444
TEXT. BLACK + CHROME	750433	750443

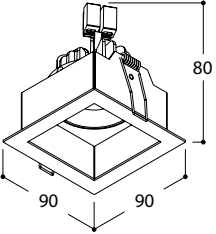
 **750138** 155 x 155 x 165 mm
 **250790** 85 x 85 mm



CONVERTER p.552

 GU10 versions: see website





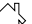

QUAD ORIENTABLE BEAUFORT



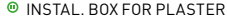

80 x 80 mm
Installation height 85 mm


CITIZEN LED 6,22W
180mA DC (34,6 Vf)
Dimmable PWM or CCR
758 Lumen
CRI 92 (3000K = CRI 82, see p. 576)
beam 36°

A++

CE      

	2700K	3000K
TEXT. WHITE	750647	750657
TEXT. BLACK	750626	750636

 **750138** 155 x 155 x 165 mm
 **250790** 85 x 85 mm



CONVERTER p.552

downlights

QUAD



QUAD ASYMMETRIC

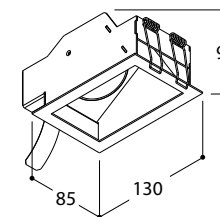
downlights



QUAD ASYMMETRIC



QUAD ASSYMETRIC BEAUFORT



CITIZEN LED 6,22W
 180mA DC (34,6 Vf)
 Dimmable PWM or CCR
 758 Lumen
 CRI 92 (3000K = CRI 82, see p. 576)
 beam 36°
 45°

A++

 123 x 78 mm
 Installation height 95 mm

   **IP 20**   

	2700K	3000K
TEXT. WHITE	750847	750857
TEXT. BLACK	750826	750836



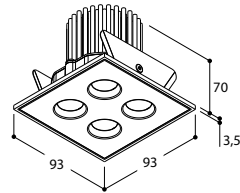
CONVERTER p.552

B4

 80 mm downlights



B4 LEAF



CREE XPG 8W
700mA DC
Dimmable PWM or CCR
832 Lumen
CRI 92

A+

 80 mm

Installation height 90 (75) mm

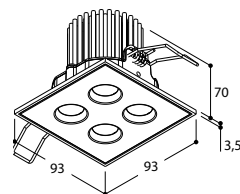


	2700K			3000K		
	10°	25°	46°	10°	25°	46°
TEXT. WHITE	293347	293447	293547	293357	293457	293557
TEXT. BLACK	293326	293426	293526	293336	293436	293536

CONVERTER p.560



B4 TORSION



CREE XPG 8W
700mA DC
Dimmable PWM or CCR
832 Lumen
CRI 92

A+

 80 mm

Installation height 75 mm



	2700K			3000K		
	10°	25°	46°	10°	25°	46°
TEXT. WHITE	293047	293147	293247	293057	293157	293257
TEXT. BLACK	293026	293126	293226	293036	293136	293236

CONVERTER p.560



downlights

B4



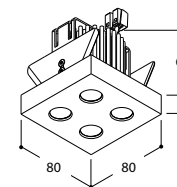
ODILON

downlights





ODILON LEAF

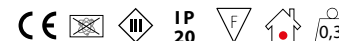


CREE XPG 8W
700mA DC (11,32 vf)
Dimmable PWM or CCR
832lm
CRI 92

A+

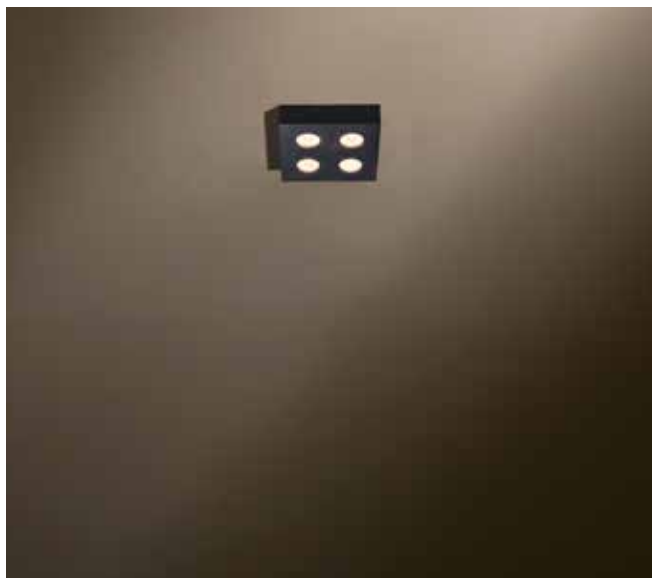
 70 mm

Installation height 75 (85) mm

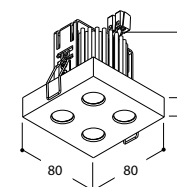


	2700K			3000K		
	10°	25°	46°	10°	25°	46°
TEXT. WHITE	391547	391647	391747	391557	391657	391757
TEXT. BLACK	391526	391626	391726	391536	391636	391736

CONVERTER p.560



ODILON TORSION

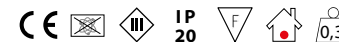


CREE XPG 8W
700mA DC (11,32 vf)
Dimmable PWM or CCR
832lm
CRI 92

A+

 70 mm

Installation height 75 mm

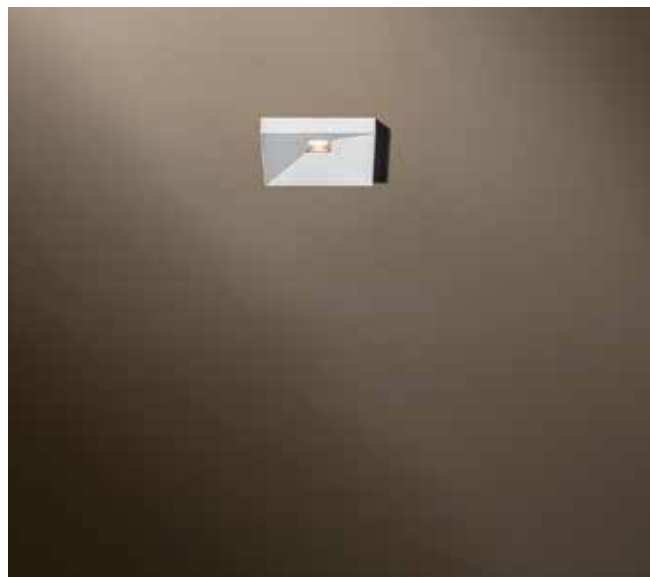
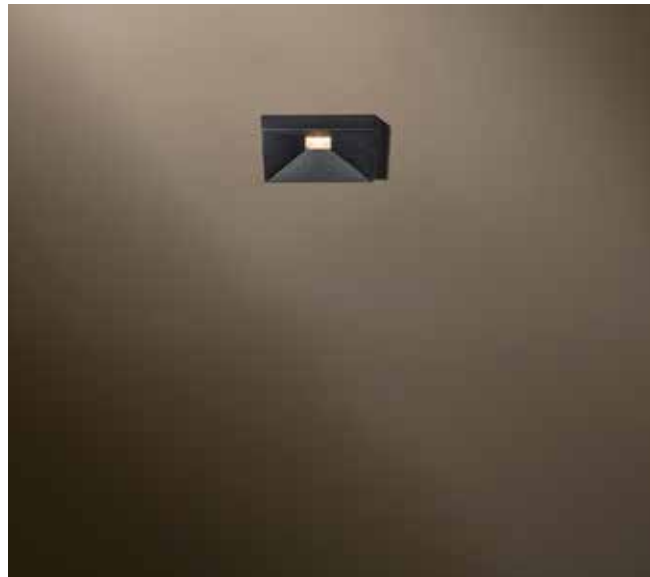


	2700K			3000K		
	10°	25°	46°	10°	25°	46°
TEXT. WHITE	392547	392647	392747	392557	392657	392757
TEXT. BLACK	392526	392626	392726	392536	392636	392736

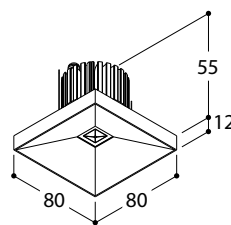
CONVERTER p.560

DICE EXO

 56 mm downlights



DICE EXO

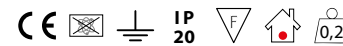


LUXEON M LED 7,84W
700mA DC
dimnable PWM or CCR
755 Lumen
beam 50°



 56 mm

Installation height 60 mm



	2700K	3000K
TEXT. WHITE	377347	377337
TEXT. BLACK	377326	377316



CONVERTER p.554

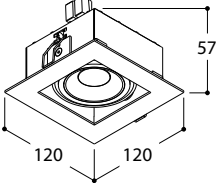
downlights



DICE EXO



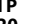



MINI TOMMY BEAUFORT

MINI TOMMY 1 BEAUFORT





CITIZEN LED 6,22W
180mA DC (34,6 Vf)
Dimmable PWM or CCR
↻ 30° ↻ 30°
758 Lumen
beam 36°
CRI 92


A++

CE    IP 20   

110 x 110 mm
Installation height 60 mm

	2700K	3000K
TEXT. WHITE	107107	107117
TEXT. BLACK	107106	107116
BLACK + GOLD	107186	107196

 INSTAL. FRAME FOR PLASTER **700139** 200 x 235 mm
 INSTAL. BOX FOR PLASTER **700138** 200 x 235 x 150 mm

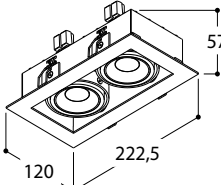


CONVERTER p.552

 GU10 versions: see website





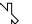



MINI TOMMY 2 BEAUFORT





CITIZEN LED (x2) 6,22W
180mA DC (34,6 Vf)
Dimmable PWM or CCR
↻ 30° ↻ 30°
2x 758 Lumen
beam 36°
CRI 92


A++

CE    IP 20   

210 x 110 mm
Installation height 60 mm

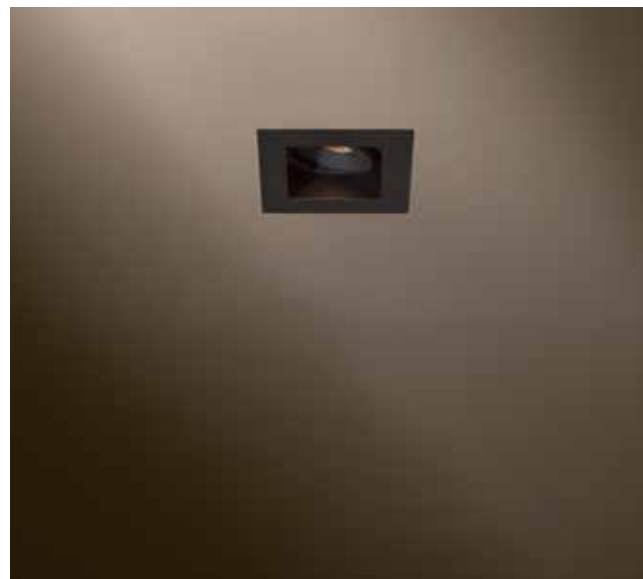
	2700K	3000K
TEXT. WHITE	107207	107217
TEXT. BLACK	107206	107216
BLACK + GOLD	107286	107296

 INSTAL. FRAME FOR PLASTER **700239** 260 x 235 mm
 INSTAL. BOX FOR PLASTER **700238** 260 x 235 x 150 mm



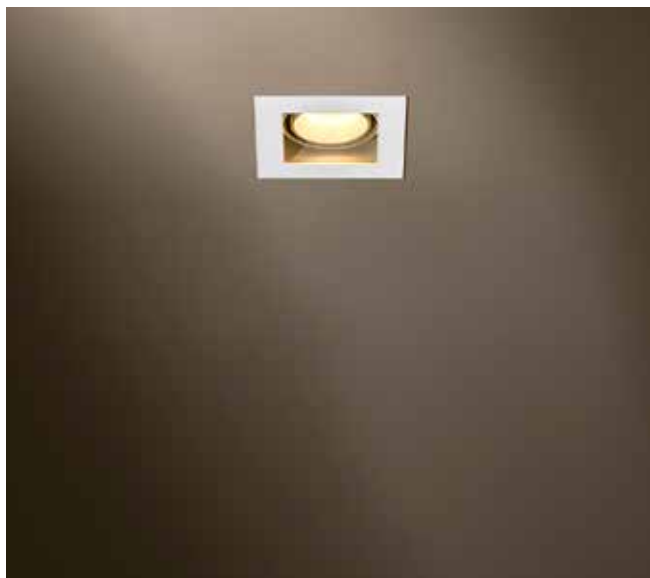
CONVERTER p.552

 GU10 versions: see website

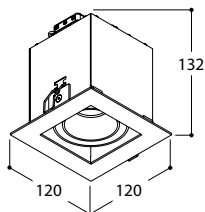








hal led MINI TOMMY 1 HALOLED

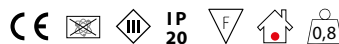


LUXEON M - 7,84W
700mA DC
dimnable PWM or CCR
755 lumen
beam 36°
30°

A+

110 x 110 mm

Installation height 135 mm



	2700K	3000K
TEXT. WHITE	107407	107417
TEXT. BLACK	107406	107416

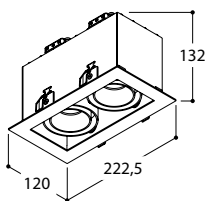
- ⊕ INSTAL. FRAME FOR PLASTER **700139** 200 x 235 mm
- ⊕ INSTAL. BOX FOR PLASTER **700138** 200 x 235 x 150 mm

CONVERTER p.560

 [GU10 versions: see website](#)



hal led MINI TOMMY 2 HALOLED

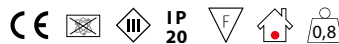


LUXEON M (x2) - 7,84W
700mA DC
dimnable PWM or CCR
2x 755 lumen
beam 36°
30°

A+

210 x 110 mm

Installation height 135 mm



	2700K	3000K
TEXT. WHITE	107507	107517
TEXT. BLACK	107506	107516

- ⊕ INSTAL. FRAME FOR PLASTER **700239** 260 x 235 mm
- ⊕ INSTAL. BOX FOR PLASTER **700238** 260 x 235 x 150 mm

CONVERTER p.560

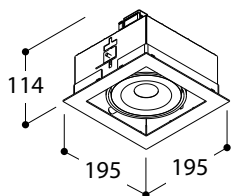
 [GU10 versions: see website](#)







TOMMY 1 BEAUFORT²






CITIZEN 18W
MAX 500mA DC
dimmable PWM or CCR
2000 Lumen
30°

A++



175 x 175 mm	2700K		3000K	
Installation height 120 mm	35°	70°	35°	70°
TEXT. WHITE	740127	740136	740128	740108
TEXT. BLACK	106146	106107	106147	106137

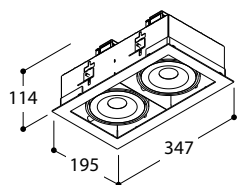
-  INSTAL. BOX FOR CONCRETE **702010** 230 x 305 x 170 mm
-  INSTAL. BOX FOR PLASTER **700198** 230 x 305 x 140 mm
-  INSTAL. FRAME FOR PLASTER **700199** 230 x 305 mm



CONVERTER p.556

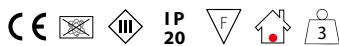


TOMMY 2 BEAUFORT²






CITIZEN (x2) 18W
MAX 500mA DC
dimmable PWM or CCR
2 x 2000 Lumen
30°

A++



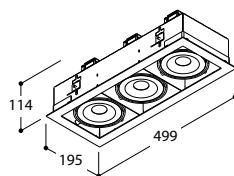
327 x 175 mm	2700K		3000K	
Installation height 120 mm	35°	70°	35°	70°
TEXT. WHITE	740227	740207	740228	740208
TEXT. BLACK	106246	106136	106247	106237

-  INSTAL. BOX FOR CONCRETE **702020** 382 x 305 x 170 mm
-  INSTAL. BOX FOR PLASTER **700298** 382 x 305 x 140 mm
-  INSTAL. FRAME FOR PLASTER **700299** 382 x 305 mm



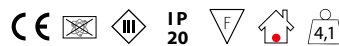
CONVERTER p.556

TOMMY 3 BEAUFORT²






CITIZEN (x3) 18W
MAX 500mA DC
dimmable PWM or CCR
3 x 2000 Lumen
30°

A++



497 x 175 mm	2700K		3000K	
Installation height 120 mm	35°	70°	35°	70°
TEXT. WHITE	740327	740307	740328	740308
TEXT. BLACK	106346	106336	106347	106337

-  INSTAL. BOX FOR CONCRETE **702030** 534 x 305 x 170 mm
-  INSTAL. BOX FOR PLASTER **700398** 534 x 305 x 140 mm
-  INSTAL. FRAME FOR PLASTER **700399** 534 x 305 mm

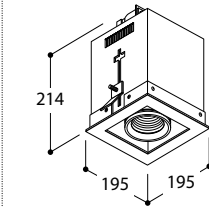


CONVERTER p.556

TOMMY TORNADO 3000




TOMMY 1 TORNADO 3000




PREVALED 27W
600mA DC (45 Vf)
3000 Lumen
↻ 179° ↻ 30°

A++

 175 x 175 mm
Installation height 220 mm



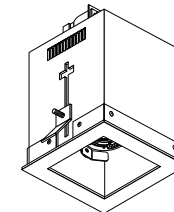
	3000K	4000K
TEXTURED WHITE	463147	463157
TEXTURED BLACK	463126	463136

 TORNADO REFLECTOR SYSTEM **SEE TABLE**



CONVERTER p.558



TABLE REFLECTOR SYSTEM



tommy TORNADO
.choose color of luminaire
.choose led luminous flux (lm)
.choose led color temperature (K)

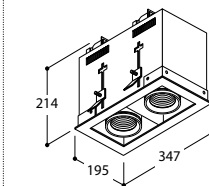


TORNADO head 4629xx
.choose color of head
.choose beamangle of reflector

 TORNADO REFL. SYSTEM	17°	24°	40°
TEXT. WHITE	462917	462927	462947
TEXT. BLACK	462916	462926	462946
 HONEYCOMB BLACK ANO	462900		


DEDICATED DRIVERS: SEE CONVERTOR TABLE
REMARK: ONE TORNADO REFLECTOR SYSTEM PER LEDSOURCE!

TOMMY 2 TORNADO 3000



PREVALED 2 x 27W
600mA DC (45 Vf)
2 x 3000 Lumen
↻ 179° ↻ 30°

A++

 375 x 175 mm
Installation height 220 mm



	3000K	4000K
TEXTURED WHITE	463247	463257
TEXTURED BLACK	463226	463236

 TORNADO REFLECTOR SYSTEM **SEE TABLE**



CONVERTER p.558



Let's talk
BIG
THAN
and y
SPEAK
than y



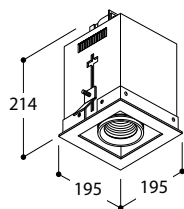
TOMMY TORNADO 5000



TOMMY 1 TORNADO 5000



TABLE REFLECTOR SYSTEM

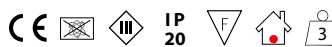


PREVALED 38,4W
900mA DC (42,6 Vf)
5000 Lumen
↔ 179° ↕ 30°


A++

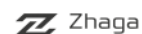
 175 x 175 mm

Installation height 220 mm

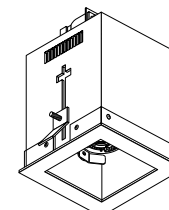


	3000K	4000K
TEXTURED WHITE	463447	463457
TEXTURED BLACK	463426	463436

 TORNADO REFLECTOR SYSTEM **SEE TABLE**





CONVERTER p.562



tommy TORNADO
.choose color of luminaire
.choose led luminous flux (lm)
.choose led color temperature (K)

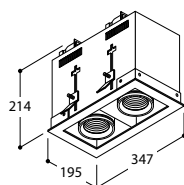


TORNADO head 4629xx
.choose color of head
.choose beamangle of reflector

 TORNADO REFL. SYSTEM	17°	24°	40°
TEXT. WHITE	462917	462927	462947
TEXT. BLACK	462916	462926	462946
 HONEYCOMB BLACK ANO	462900		

DEDICATED DRIVERS: SEE CONVERTOR TABLE
REMARK: ONE TORNADO REFLECTOR SYSTEM PER LEDSOURCE!

TOMMY 2 TORNADO 5000

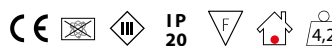


PREVALED 2 x 38,4W
900mA DC (42,6 Vf)
2 x 5000 Lumen
↔ 179° ↕ 30°

A++

 375 x 175 mm

Installation height 220 mm



	3000K	4000K
TEXTURED WHITE	463547	463557
TEXTURED BLACK	463526	463536

 TORNADO REFLECTOR SYSTEM **SEE TABLE**



CONVERTER p.562

wall recessed

wall recessed



DICE WALL 153



DIABOLO 154



ELITE NPG 158



ELITE XT 159



EOS LED 163



FONDA NPG 156



MIND THE GAP 160

wall recessed

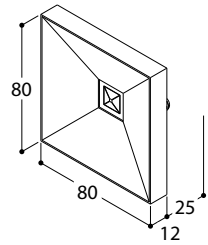


wall recessed

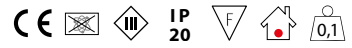
DICE WALL



DICE WALL WC

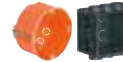


CREE XPE 1,2W
350mA DC
dimnable PWM or CCR
94 Lumen
beam 50°



	2700K	3000K
TEXT. WHITE	377547	377557
TEXT. BLACK	377526	377536

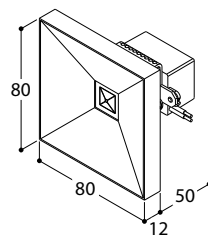
FITS ON STANDARD ELECTRICAL ACCESSORY BOX WITH SCREWS



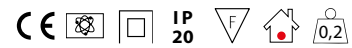
CONVERTER p.554



DICE WALL CI

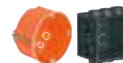


CREE XPE 1,2W
230V AC
94 Lumen
beam 50°



	2700K	3000K
TEXT. WHITE	377447	377457
TEXT. BLACK	377426	377436

FITS ON STANDARD ELECTRICAL ACCESSORY BOX WITH SCREWS

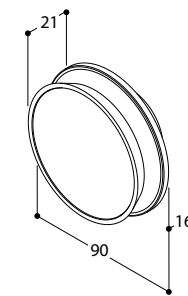


DIABOLO S design by Cas Moor & Lieven Musschoot

wall recessed

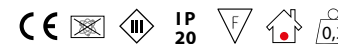


DIABOLO S WC



CREE XPE 1,2W
350mA DC
dimmable PWM or CCR
94 Lumen

A+



	2700K	3000K
TEXT. WHITE	177247	177257
TEXT. BLACK	177226	177236
GOLD 24K	177213	177223

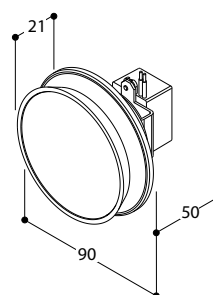
FITS ON STANDARD ROUND ELECTRICAL ACCESSORY BOX WITH SCREWS



p. 216

CONVERTER p.554

DIABOLO S CI



CREE XPE 1,2W
230V AC
94 Lumen

A+



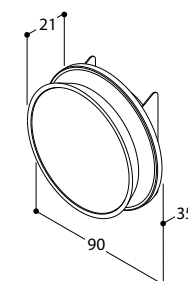
	2700K	3000K
TEXT. WHITE	177447	177457
TEXT. BLACK	177426	177436
GOLD 24K	177413	177423

FITS ON STANDARD ROUND ELECTRICAL ACCESSORY BOX WITH SCREWS



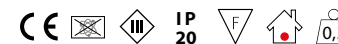
p. 216

DIABOLO S LEAF



CREE XPE 1,2W
350mA DC
dimmable PWM or CCR
94 Lumen

A+



56 mm
Installation height 40 mm

	2700K	3000K
TEXT. WHITE	177347	177357
TEXT. BLACK	177326	177336
GOLD 24K	177313	177323

CONVERTER p.554



p. 216

wall recessed



FONDA NPG

wall recessed

📷 FONDA NPG



SMD LED 1W
230V - AC

A+

CE, RoHS, IP 20, F, Home, 0.2

	2700K	3000K
TEXT. WHITE	452057	452047
TEXT. BLACK	452036	452026

FITS ON STANDARD ELECTRICAL ACCESSORY BOX WITH SCREWS

CLAMP SET 145900



INSTALLATION FONDA NPG

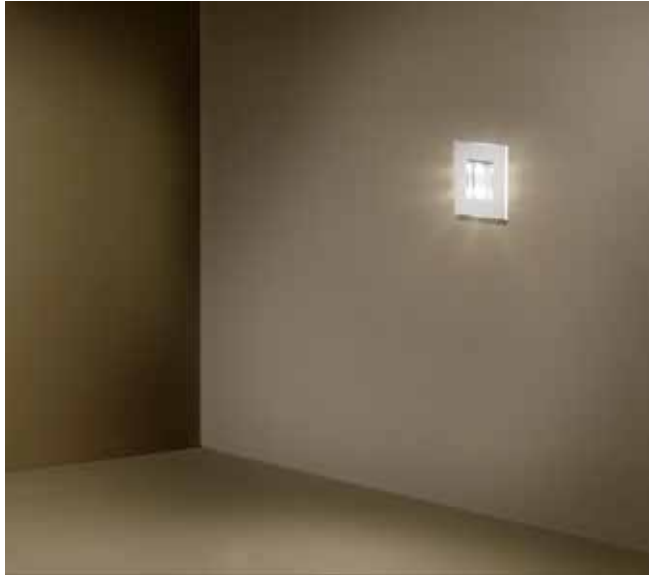
wall recessed

FONDA NPG

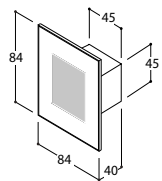


ELITE NPG

wall recessed

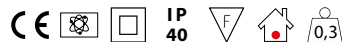


ELITE NPG



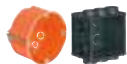
SMD LED 1W
230V - AC
beam 120°

A+



	2700K	3000K
TEXT. WHITE	145531	145611
TEXT. BLACK	145567	145626
CHROME	145541	145621
STAINLESS STEEL	145530	145610

FITS ON STANDARD ELECTRICAL
ACCESSORY BOX WITH SCREWS



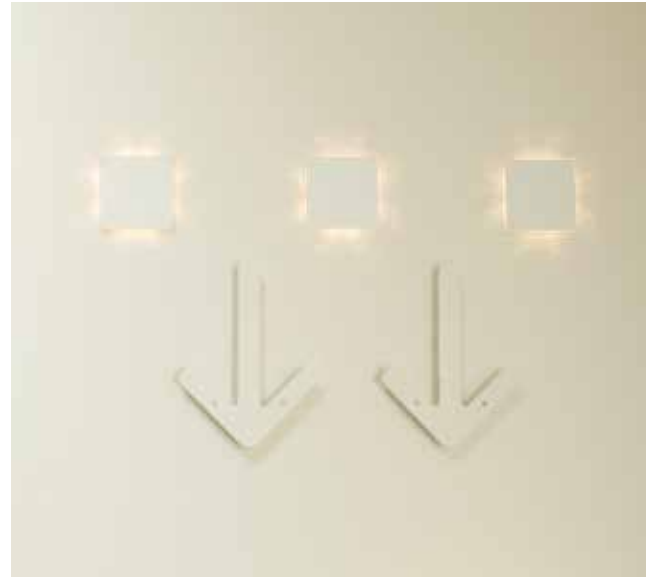
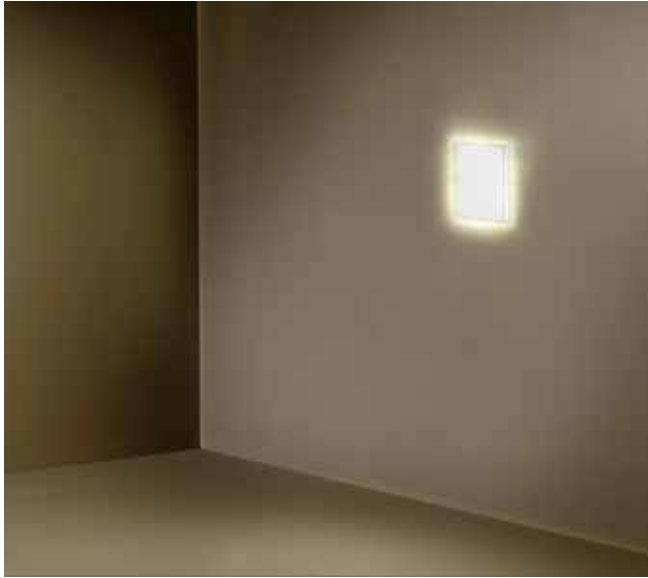
145900



CLAMP SET

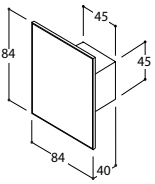
wall recessed

ELITE XT




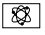




 ELITE XT






CREE XPE (x1) 1,2W
230V - AC



A⁺


	2700K	3000K	6250K	AMBER	RED	GREEN	ROYAL BLUE
STAINLESS STEEL	304720	304220	304120	304320	304420	304620	304820
TEXT. WHITE	304757	304257	304157	304357	304457	304657	304857
CHROME	304731	304231	304131	304331	304431	304631	304821

FITS ON STANDARD ELECTRICAL
ACCESSORY BOX WITH SCREWS

 CLAMP SET

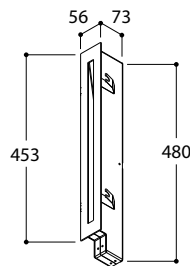
145900



MIND the GAP



MIND the GAP

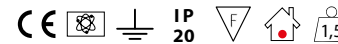


LUXEON M 3,82W
230V - AC
400 lumen
□UP or □DOWN



445 x 43 mm

Installation depth 80 mm



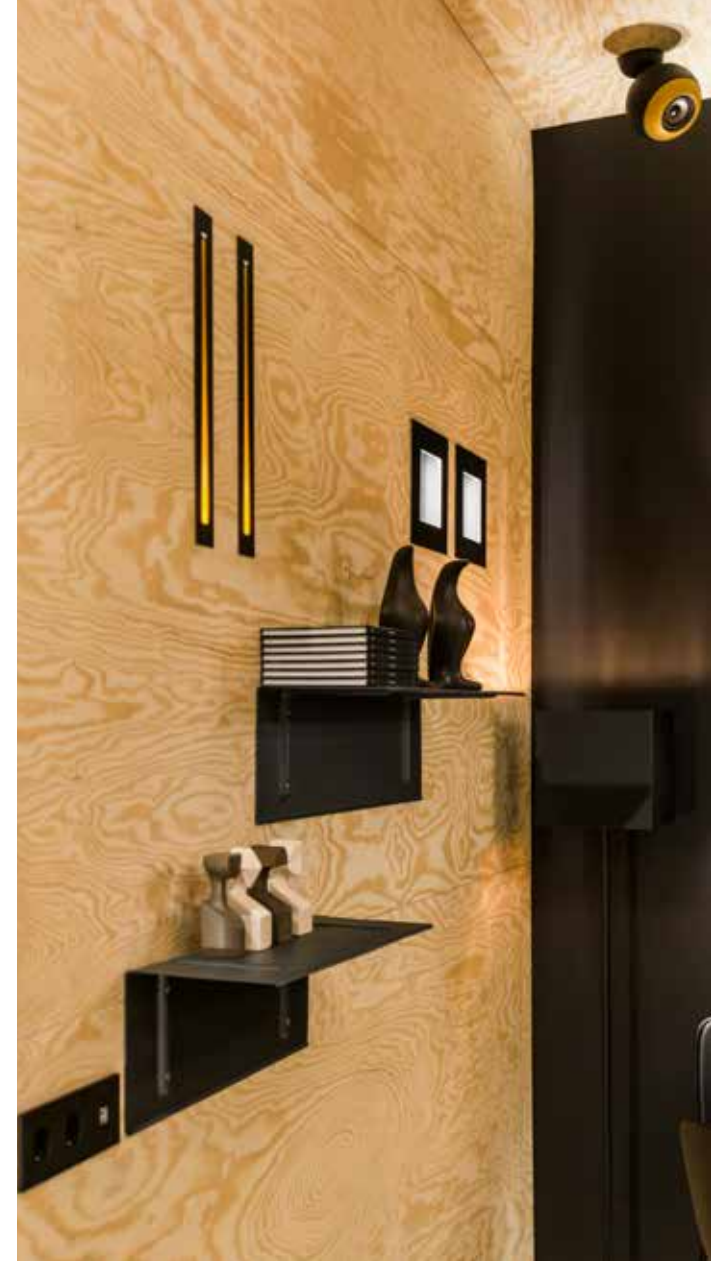
	2700K	3000K
TEXT. WHITE	406147	406137
BLACK + GOLD	406196	406186
TEXT. WHITE + GOLD	406192	406182

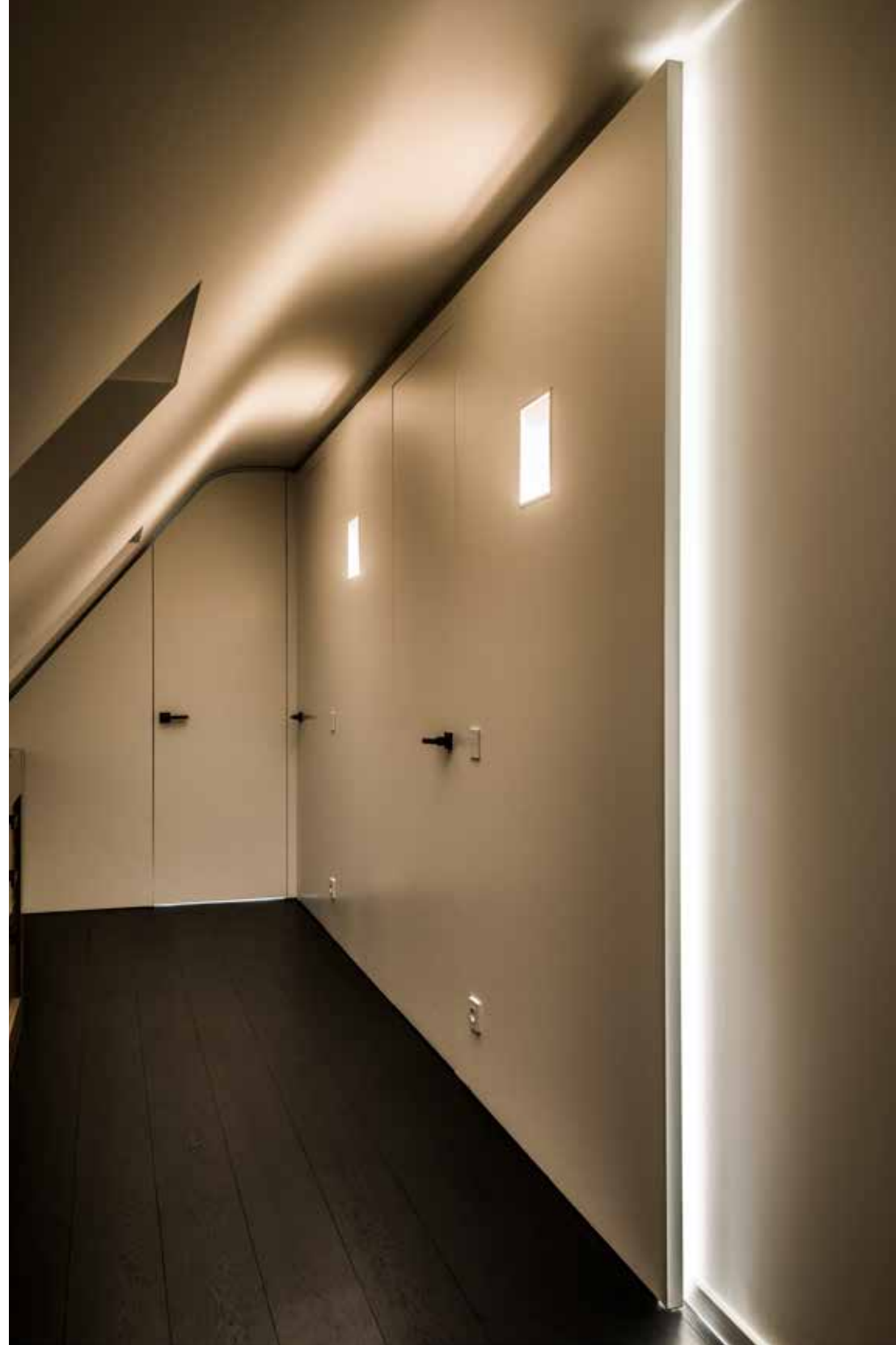
● INSTAL. FRAME FOR PLASTER **406097** 459 x 57 mm

● INSTAL. BOX FOR PLASTER **406077** 660 x 114 x 114 mm



wall recessed





wall recessed

EOS LED



EOS S

CITIZEN L 6,44W
230V - AC
595 Lumen
☐UP or ☐DOWN

A+

☒ 117 x 157 mm
Installation height 85 mm

	2700K	3000K
TEXT. WHITE	254037	254047
BLACK + GOLD	254086	254096

☒ INSTAL. FRAME FOR PLASTER **255590** ☒321 x 131 x 96 mm
☒ INSTAL. BOX FOR PLASTER **255595** ☒321 x 131 x 96 mm

EOS M 600

Led Array 4,2W
230V - AC
600 Lumen
☐UP or ☐DOWN

A++

☒ 207 x 255 mm
Installation height 85 mm

	2700K	3000K
TEXT. WHITE	258037	258047
BLACK + GOLD	258086	258096

☒ INSTAL. FRAME FOR PLASTER **255690** ☒464 x 219 x 96 mm
☒ INSTAL. BOX FOR PLASTER **255695** ☒464 x 219 x 96 mm

EOS M 1200

Led Array 8,4W
230V - AC
1200 Lumen
☐UP or ☐DOWN

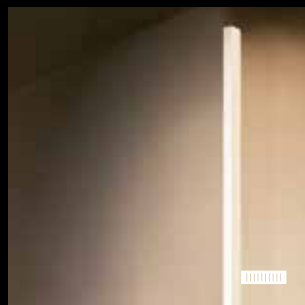
A++

☒ 207 x 255 mm
Installation height 85 mm

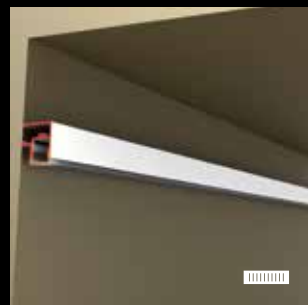
	2700K	3000K
TEXT. WHITE	258137	258147
BLACK + GOLD	258186	258196

☒ INSTAL. FRAME FOR PLASTER **255690** ☒464 x 219 x 96 mm
☒ INSTAL. BOX FOR PLASTER **255695** ☒464 x 219 x 96 mm

wall surface



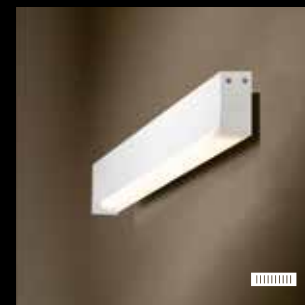
1U 424



1U WALL 438



2U 464



2U WALL 464



BERRIER SURFACE 206



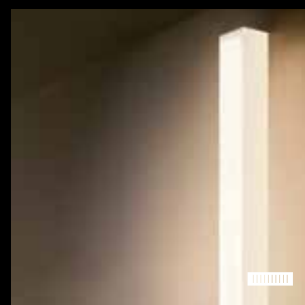
BLOX 176



DARTLING OAK 181



DIABOLO M 216



DORMENT 504



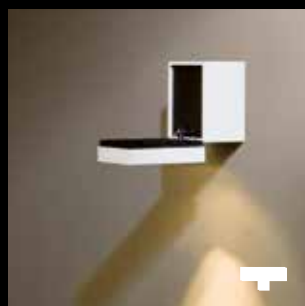
FABIAN 218



FUNNEL WALL 170



HABANA 168



PANDORA 236



ROLLO 212



TELESCOOP SURFACE 222

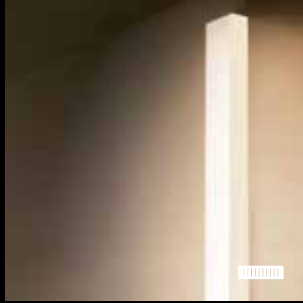


WODAN 224

wall surface



BOA 172



BORITI 510



BOQL 174



BRIX 175



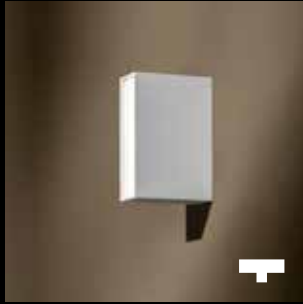
CHROMOS 166



DARTLING 178



HUBBLE 215



MAZ 232



MICRO SCOOP 188



MINI SCOOP DEIMOS 192



NOBEL ELBOW 184



NELSON SURFACE 223

CHROMOS

wall surface



CHROMOS



CHROMOS RGB



CREE XPE 1,2W
350mA DC
dimmable PWM or CCR

A+

⌀ 48 mm
Installation depth 45 mm

	2700K	3000K	AMBER	RED
TEXT. WHITE	177078	177927	177037	177047
TEXT. BLACK	177076	177928	177036	177046
CHROME	177070	177920	177030	177040
		6250K	GREEN	ROYAL BLUE
TEXT. WHITE		177517	177067	177087
TEXT. BLACK		177516	177066	177086
CHROME		177510	177060	177080

● INSTAL. BOX FOR PLASTER ⌀92 x H77 mm **177077**
 ● INSTAL. FRAME FOR PLASTER ⌀48 mm **177097**

CREE XPE 4W
350mA DC
dimmable PWM or CCR

A+

⌀ 48 mm
Installation depth 45 mm

	RGB
TEXT. WHITE	177118
TEXT. BLACK	177116
CHROME	177110

● INSTAL. BOX FOR PLASTER **177077** ⌀92 x H77 mm
 ● INSTAL. FRAME FOR PLASTER **177097** ⌀48 mm

CONVERTER p.554

wall surface



HABANA

wall surface



HABANA WC SINGLE BEAM



LUXEON M LED 3,82W
350mA DC
400 Lumen
beam 36°
☐UP or ☐DOWN

A++

CE, RoHS, III, IP 20, F, Home, 0.2

	2700K	3000K
TEXT. WHITE	467047	467067
TEXT. BLACK	467026	467046
BLACK + GOLD	467096	467016
CU ₂₉ + BLACK FOCUS & BASE	467057	467077

FITS ON STANDARD ELECTRICAL ACCESSORY BOX WITH SCREWS

CONVERTER p.554

HABANA CI SINGLE BEAM



LUXEON M LED 3,82W
230V - AC
400 Lumen
beam 36°
☐UP or ☐DOWN

A++

CE, RoHS, III, IP 20, F, Home, 0.4

	2700K	3000K
TEXT. WHITE	467247	467267
TEXT. BLACK	467226	467246
BLACK + GOLD	467296	467216
CU ₂₉ + BLACK FOCUS & BASE	467257	467277



HABANA UP/DOWN WC



LUXEON M LED 2x 3,82W
350mA DC
2x 400 Lumen
beam 36°
☐UP DOWN

A++

CE, RoHS, III, IP 20, F, Home, 0.2

	2700K	3000K
TEXT. WHITE	467147	467167
TEXT. BLACK	467126	467146
BLACK + GOLD	467196	467116
CU ₂₉ + BLACK FOCUS & BASE	467157	467177

FITS ON STANDARD ELECTRICAL ACCESSORY BOX WITH SCREWS

CONVERTER p.554

HABANA UP/DOWN CI



LUXEON M LED 2x 3,82W
230V - AC
2x 400 Lumen
beam 36°
☐UP DOWN

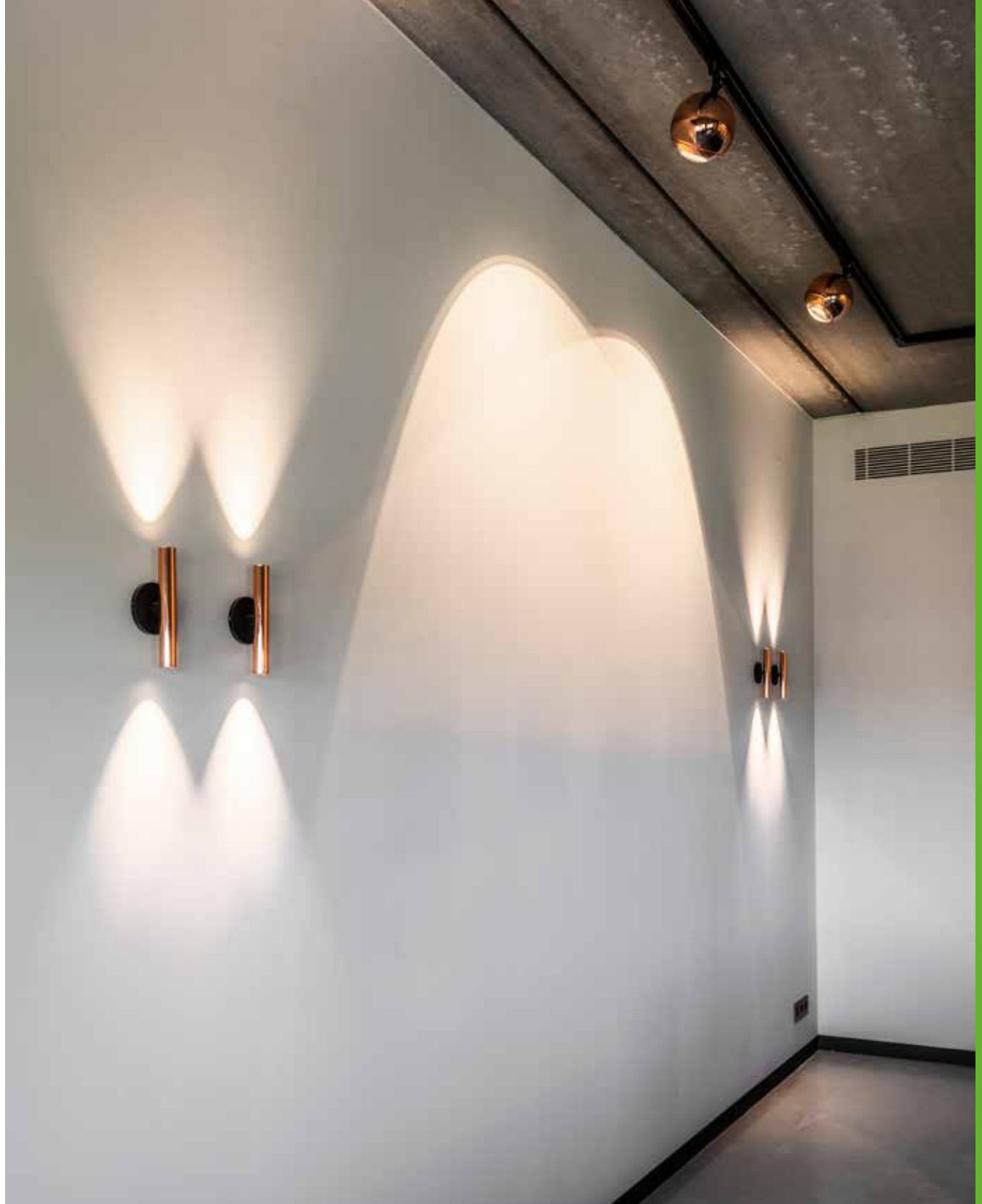
A++

CE, RoHS, III, IP 20, F, Home, 0.6

	2700K	3000K
TEXT. WHITE	467347	467367
TEXT. BLACK	467326	467346
BLACK + GOLD	467396	467316
CU ₂₉ + BLACK FOCUS & BASE	467357	467377

wall surface

HABANA SPECIALS



FUNNEL WALL

wall surface



FUNNEL WALL WC SINGLE BEAM



LUXEON M LED 7,84W
700mA DC
755 Lumen
beam 38°
☐ UP or ☐ DOWN

A++

CE, RoHS, III, IP 20, F, Home, 0.5

	2700K	3000K
TEXT. WHITE	484747	484757
TEXT. BLACK	484726	484736
TEXT. BLACK + GOLD	484786	484796

FITS ON STANDARD ELECTRICAL ACCESSORY BOX WITH SCREWS

CONVERTER p.554

FUNNEL WALL CI SINGLE BEAM



LUXEON M LED 7,84W
230V - AC
755 Lumen
beam 38°
☐ UP or ☐ DOWN

A++

CE, RoHS, III, IP 20, F, Home, 0.6

	2700K	3000K
TEXT. WHITE	484847	484857
TEXT. BLACK	484826	484836
TEXT. BLACK + GOLD	484886	484896



FUNNEL WALL UP/DOWN WC



LUXEON M LED 2x 5,53W
500mA DC
2x 570 Lumen
beam 38°
☐ UP DOWN

A++

CE, RoHS, III, IP 20, F, Home, 0.9

	2700K	3000K
TEXT. WHITE	485747	485757
TEXT. BLACK	485726	485736
TEXT. BLACK + GOLD	485786	485796

FITS ON STANDARD ELECTRICAL ACCESSORY BOX WITH SCREWS

CONVERTER p.554

FUNNEL WALL UP/DOWN CI



LUXEON M LED 2x 5,53W
230V - AC
2x 570 Lumen
beam 38°
☐ UP DOWN

A++

CE, RoHS, III, IP 20, F, Home, 1.0

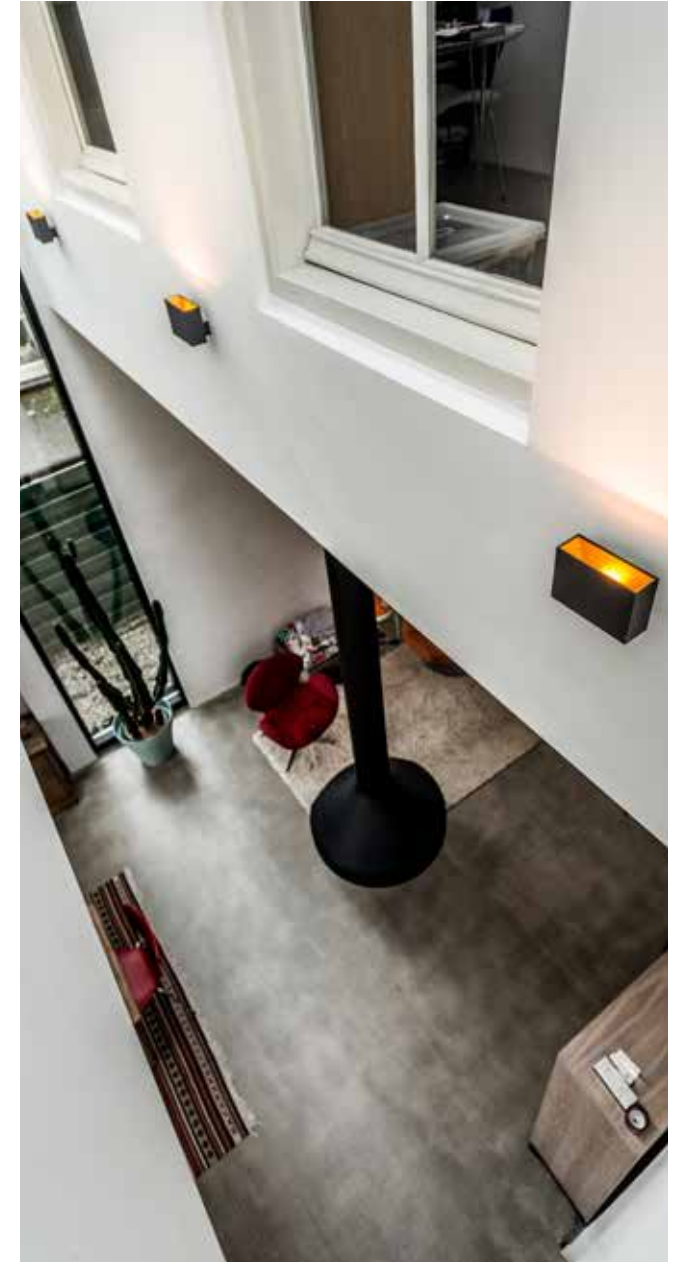
	2700K	3000K
TEXT. WHITE	485847	485857
TEXT. BLACK	485826	485836
TEXT. BLACK + GOLD	485886	485896

wall surface

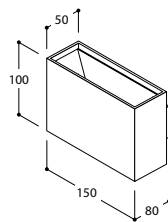


BOA SINGLE BEAM

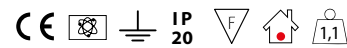
wall surface



BOA SINGLE BEAM



CITIZEN 6,44W
230V - AC
595 Lumen
☐UP or ☐DOWN



	2700K	3000K
TEXT. WHITE	405247	405237
BLACK + GOLD	405226	405216
TEXT. WHITE + GOLD	405292	405282
TEXT. BLACK + WHITE	405295	405285

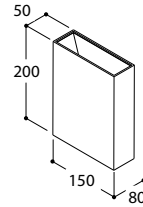


wall surface

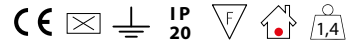
BOA UP/DOWN



BOA UP / DOWN

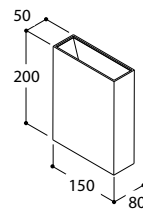


CITIZEN LED - 2x 6,44W
230V - AC
2x 595 Lumen
UP DOWN

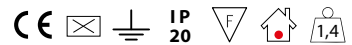


	2700K	3000K
TEXT. WHITE	405347	405337
BLACK + GOLD	405326	405316
TEXT. WHITE + GOLD	405392	405382
TEXT. BLACK + WHITE	405395	405385

BOA UP / DOWN DIM



CITIZEN LED - 2x 6,44W
230V - AC
dimnable C
2x 595 Lumen
UP DOWN



	2700K	3000K
TEXT. WHITE	405447	405437
BLACK + GOLD	405426	405416
TEXT. WHITE + GOLD	405492	405482
TEXT. BLACK + WHITE	405495	405485

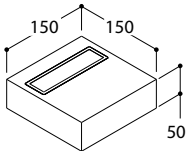


BO@L

wall surface



BO@L



CITIZEN 6,44W
230V - AC
595 Lumen
□UP or □DOWN

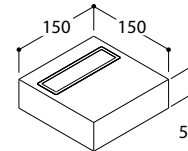
A+

CE, ENEC, IP 20, F, Home, 0,8

	2700K	3000K
TEXT. WHITE	405747	405737
BLACK + GOLD	405726	405716
TEXT. WHITE + GOLD	405792	405782
TEXT. BLACK + WHITE	405795	405785



BO@L dimmable

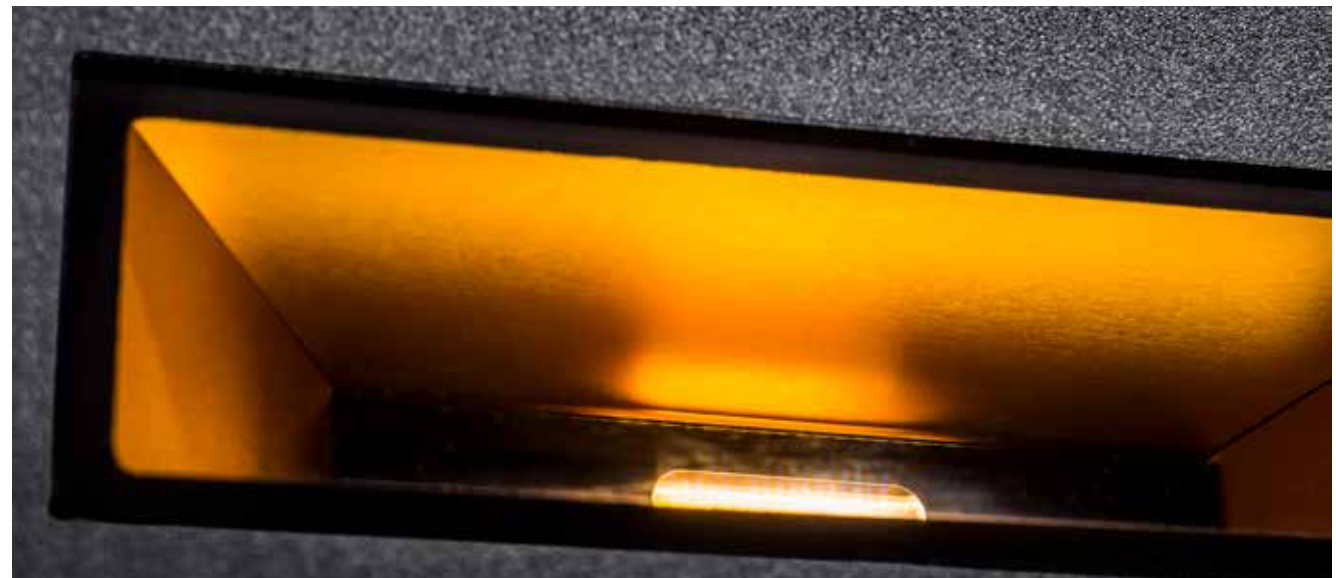
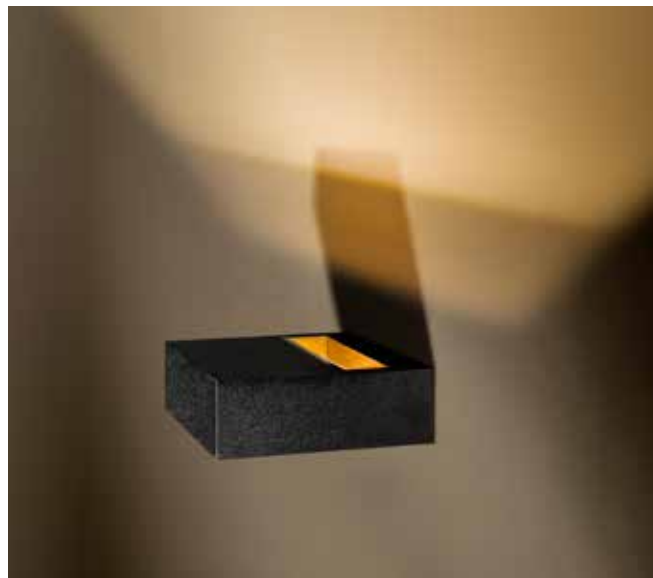



CITIZEN 6,44W
230V - AC
595 Lumen
dimmable C
□UP or □DOWN

A+

CE, ENEC, IP 20, F, Home, 0,8

	2700K	3000K
TEXT. WHITE	405847	405837
BLACK + GOLD	405826	405816
TEXT. WHITE + GOLD	405892	405882
TEXT. BLACK + WHITE	405895	405885

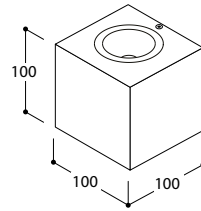


wall surface

BRIX SML

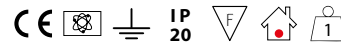


BRIX SML SINGLE BEAM



LUXEON M 3,82W
230V - AC
dimmable L,C
400 Lumen
beam 36°
☐UP or ☐DOWN

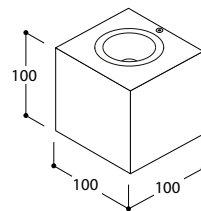
A++



	2700K	3000K
TEXT. WHITE	458547	458557
TEXT. BLACK	458526	458536
BRUSHED ALU	458512	458522

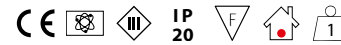


BRIX SML UP / DOWN



LUXEON M 3,82W x2
230V - AC
dimmable L,C
2x 400 Lumen
beam 36°
☐UP DOWN

A++



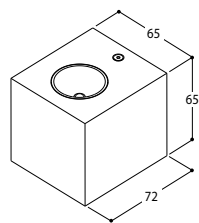
	2700K	3000K
TEXT. WHITE	458647	458657
TEXT. BLACK	458626	458636
BRUSHED ALU	458612	458622



BLOX

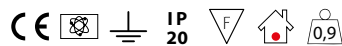


BLOX DOWN SINGLE BEAM

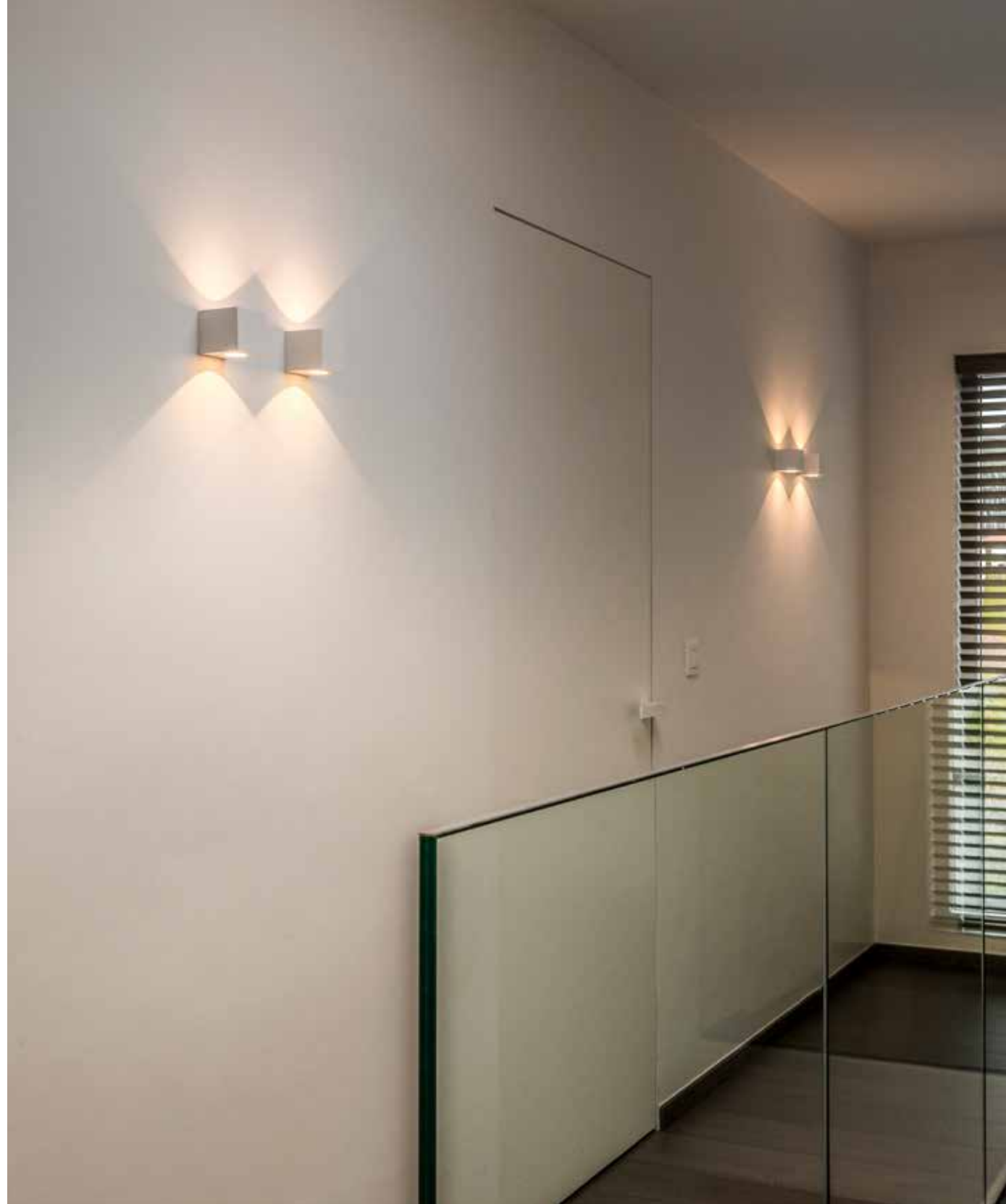


CREE XPE 1,2W
230V - AC
☐ UP or ☐ DOWN

A+



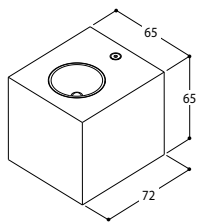
	2700K	3000K
TEXT. WHITE + CHROME	175077	175097
BRUSHED ALU	175078	175098
BLACK + GOLD	175276	175296
TEXTURED BLACK + CU ₂₉	175056	175066



wall surface



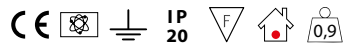
 BLOX UP DOWN



CREE XPE (x2) 1,2W
230V - AC



UP DOWN



	2700K	3000K
TEXT. WHITE + CHROME	175177	175197
BRUSHED ALU	175178	175198
BLACK + GOLD	175376	175396
TEXTURED BLACK + CU ₂₃	175156	175166

DARTLING SINGLE BEAM

wall surface



359926 DARTLING SINGLE BEAM BLACK + GOLD



359957 DARTLING SINGLE BEAM CU29

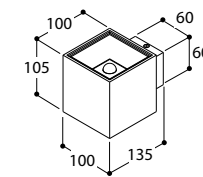


359950 DARTLING SINGLE BEAM TEXT BLACK + ANO



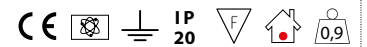
359992 DARTLING SINGLE BEAM TEXT WHITE + GOLD

DARTLING SINGLE BEAM



LUXEON M 3,82W
230V - AC
dimmable L,C
400 Lumen
beam 36°
☐UP or ☐DOWN

A++



	2700K	3000K
TEXT WHITE	359918	359928
TEXT WHITE + GOLD	359992	359982
BRUSHED ALU	359900	359920
TEXT BLACK + ANO	359950	359970
BLACK + GOLD	359926	359946
CU29	359957	359977
TEXT BLACK + CU29 INTERIOR	359956	359976

wall surface

DARTLING UP-DOWN

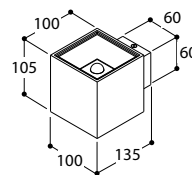


DARTLING UP-DOWN

wall surface

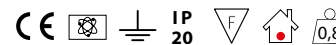


DARTLING UP-DOWN 1



LUXEON M 3,82W x2
 230V - AC
 dimmable L,C
 2X400 lm
 beam 36°
 UP DOWN

A++



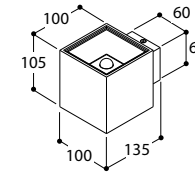
	2700K	3000K
TEXT WHITE	359818	359828
BLACK + GOLD	359826	359846
TEXT WHITE + GOLD	359892	359882
BRUSHED ALU	359800	359820
TEXT BLACK + ANO	359850	359870
CU29	359857	359877
TEXT BLACK + CU29 INTERIOR	359856	359876

wall surface

DARTLING OAK



DARTLING OAK SINGLE BEAM



LUXEON M 3,82W
230V - AC
dimnable L,C
400 lm
beam 36°
☐UP or ☐DOWN

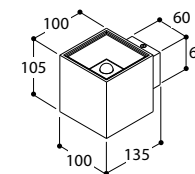
A++



	2700K	3000K
OAK + TEXTURED WHITE	351047	351057
OAK + COPPER REFLECTOR	351050	351060
BLACK OAK + GOLD REFLECTOR	351086	351096
BLACK OAK + COPPER REFLECTOR	351056	351066



DARTLING OAK UP-DOWN



LUXEON M 3,82W x2
230V - AC
dimnable L,C
2X400 lm
beam 36°
☐UP DOWN

A++



	2700K	3000K
OAK + TEXTURED WHITE	351147	351157
OAK + COPPER REFLECTOR	351150	351160
BLACK OAK + GOLD REFLECTOR	351186	351196
BLACK OAK + COPPER REFLECTOR	351156	351166

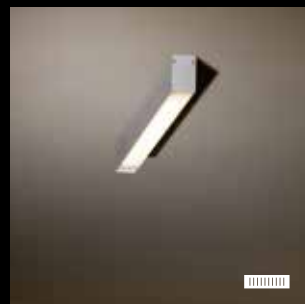
351186 DARTLING BLACK OAK + GOLD REFLECTOR

351147 DARTLING OAK + TEXTURED WHITE

ceiling mounted



1U 424



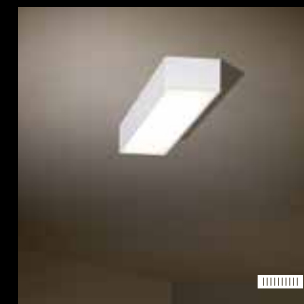
2U 464



BERRIER 206



BOA 231



BORITI 510



DADO S 233



FABIAN OAK 220



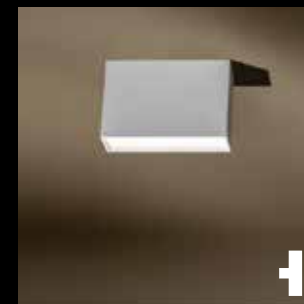
FUNNEL ELBOW 197



HUBBLE 215



LEYE 221



MAZ 232



MICRO SCOOP 188



ROBAN 210



ROLLO 212



SPINA ON 198



SPINA ON SPLASH 201



SPINA ELBOW 203



SURFACE KITS 242

ceiling mounted



DIABOLO M 216



DICE 226



DJANGO 234



DOMINO 241



DORMENT 504



FABIAN 218



MICRO TOMMY 229



MINI SCOOP DEIMOS 192



NELSON SURFACE 223



NOBEL ELBOW 184



ODIL 238



PANDORA 236



TELESCOOP SURFACE 222



THOR 208



TIMBER 221



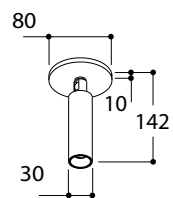
WODAN 224

NOBEL ELBOW

ceiling mounted



NOBEL ELBOW WC

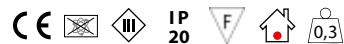


LUXEON M 3,82W
350mA DC
400 Lumen
dimnable PWM or CCR
beam 36°
↻ 359° ↕ 90°

A++

⚙ 42 mm

Installation height 40 mm

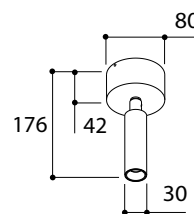


	2700K	3000K
TEXT. WHITE	459047	459036
TEXT. BLACK	459026	459057
BLACK + GOLD	459096	459086
GOLD 24K	459013	459003

FITS ALSO ON STANDARD ROUND ELECTRICAL ACCESSORY BOX WITH SCREWS



NOBEL ELBOW 1 BASE



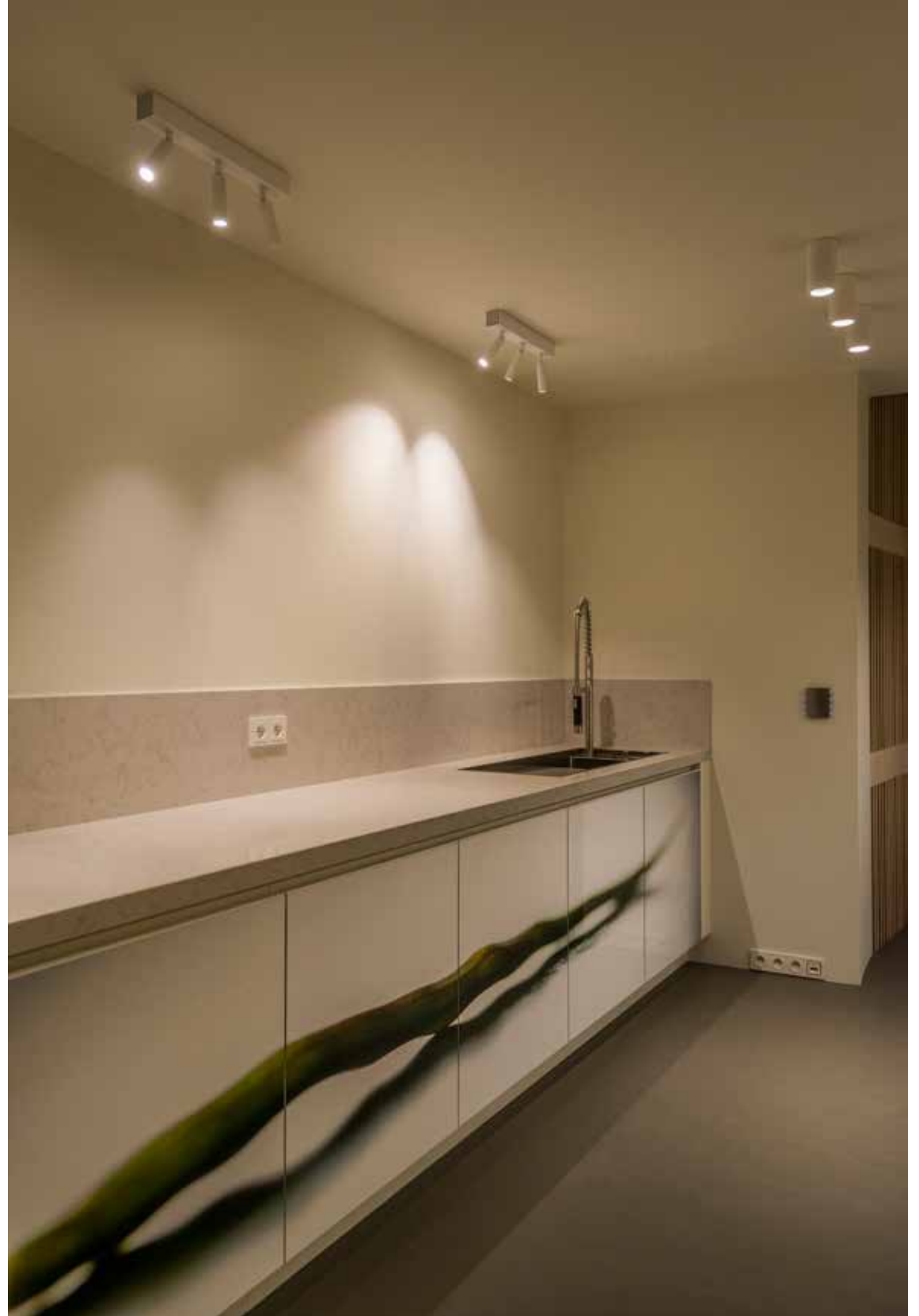
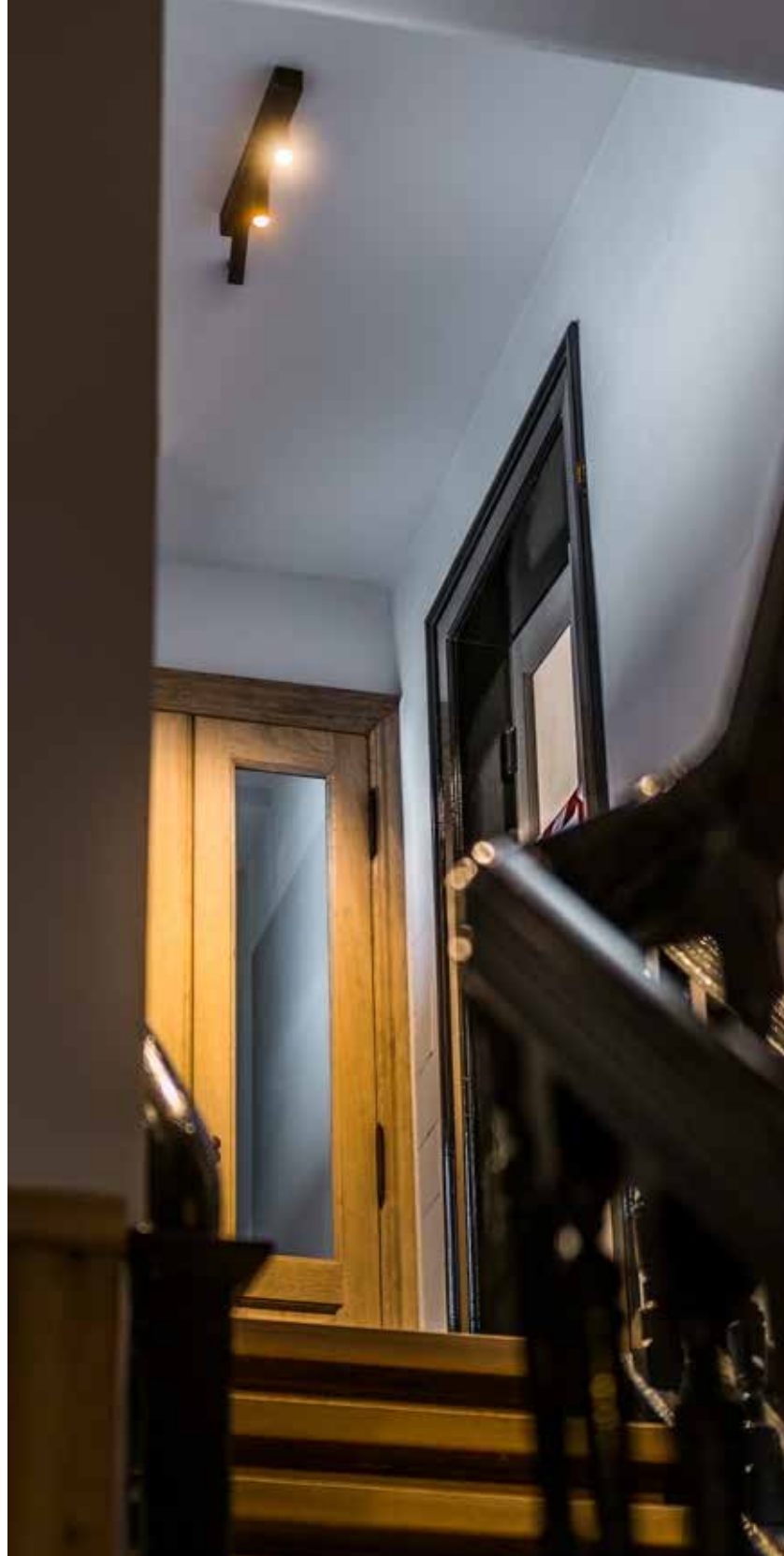
LUXEON M 3,82W
230V - AC
400 Lumen
beam 36°
↻ 359° ↕ 90°

A++



	2700K	3000K
TEXT. WHITE	459147	459157
TEXT. BLACK	459126	459136
BLACK + GOLD	459196	459186
GOLD 24K	459113	459103



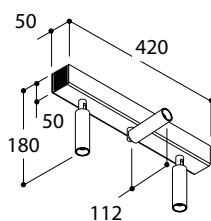


ceiling mounted

NOBEL ELBOW



NOBEL ELBOW 3 BASE



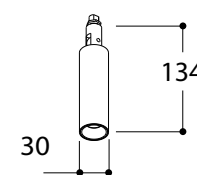
LUXEON M 3 x 3,82W
230V - AC
3 x 400 Lumen
beam 36°
↻ 359° ↕ 90°

A++



	2700K	3000K
TEXT. WHITE	459247	459257
TEXT. BLACK	459226	459236
BLACK + GOLD	459296	459286

NOBEL ELBOW M10



LUXEON M 3,82W
350mA DC
400 Lumen
beam 36°
dimmiabile PWM or CCR
↻ 359° ↕ 90°

A++



	2700K	3000K
TEXT. WHITE	459547	459557
TEXT. BLACK	459526	459536
Cu ₂ + BLACK FOCUS	459567	459577
GOLD 24K	459513	459503

Ⓜ M10 BASES SEE P. 244

MICRO SCOOP

ceiling mounted



MICRO SCOOP

LUXEON M LED 3,82W
 350mA DC
 400 LUMEN
 dimmable PWM or CCR
 beam 36°
 359° TILT 90°

A++

CE IP20 F 0.3

	2700K	3000K
TEXT. WHITE	407027	407227
TEXT. BLACK	407026	407226
TEXT. WHITE + BLACK	407095	407295
TEXT. WHITE + CHROME	407020	407220
BLACK+GOLD	407096	407296
CU ₂₅ +BLACK FOCUS	407057	407257
MICROSCOOP WALL ADAPTER TEXT. BLACK	407926	
MICROSCOOP WALL ADAPTER TEXT. WHITE	407947	

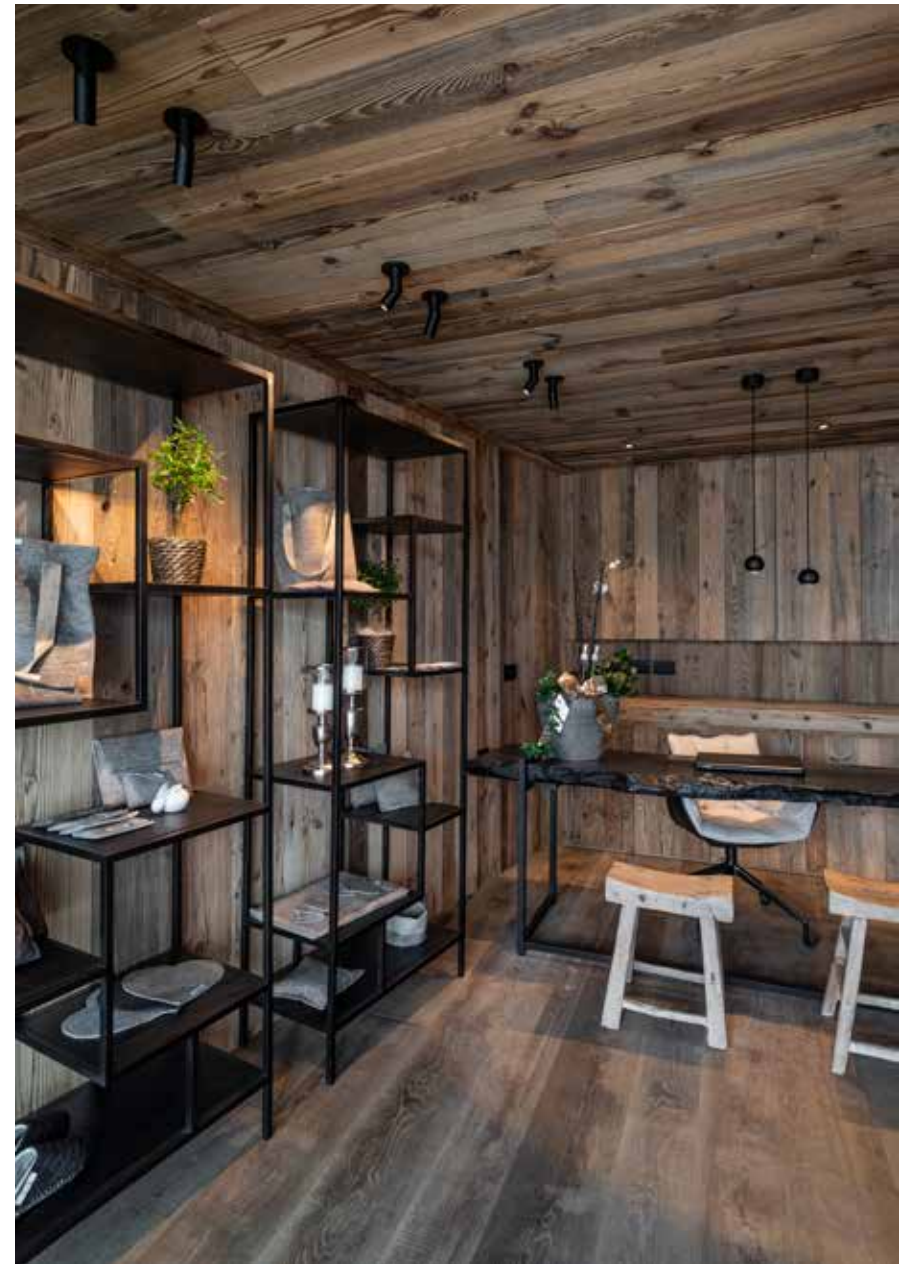
WALL ADAPTER FITS ALSO ON STANDARD ELECTRICAL ACCESSORY BOX WITH SCREWS

CONVERTER p.554





ceiling mounted



ceiling mounted

MICRO SCOOP



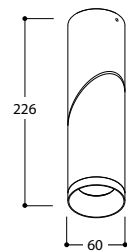
MINI SCOOP DEIMOS

ceiling mounted



DETAIL MINI SCOOP DEIMOS 38°

MINI SCOOP DEIMOS CI



LUXEON M 7,84W
230V AC
755 lumen
359° TILT 90°

A+



	2700K			3000K		
	9°	38°	60°	9°	38°	60°
TEXT. WHITE	179727	179747	179767	179737	179757	179777
TEXT. BLACK	179706	179726	179746	179716	179736	179756

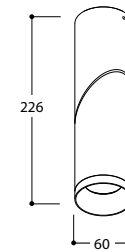
- MINI SCOOP FOOT TEXT. WHITE
- MINI SCOOP FOOT TEXT. BLACK

179090

179091



MINI SCOOP DEIMOS WC



LUXEON M 7,84W
700mA DC
755 lumen
dimmable PWM or CCR
359° TILT 90°

A+



	2700K			3000K		
	9°	38°	60°	9°	38°	60°
TEXT. WHITE	179827	179847	179867	179837	179857	179877
TEXT. BLACK	179806	179826	179846	179816	179836	179856

- MINI SCOOP FOOT TEXT. WHITE
- MINI SCOOP FOOT TEXT. BLACK

179090

179091



GU10 versions: see website

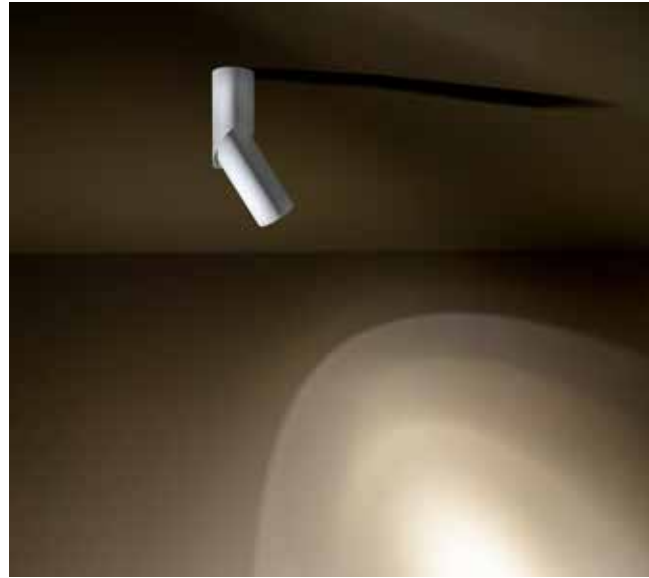
CONVERTER p.560

ceiling mounted

MINI SCOOP DEIMOS



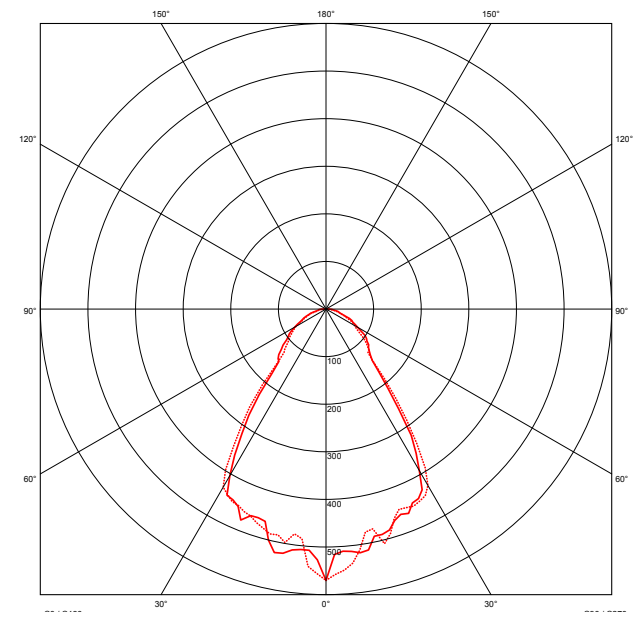
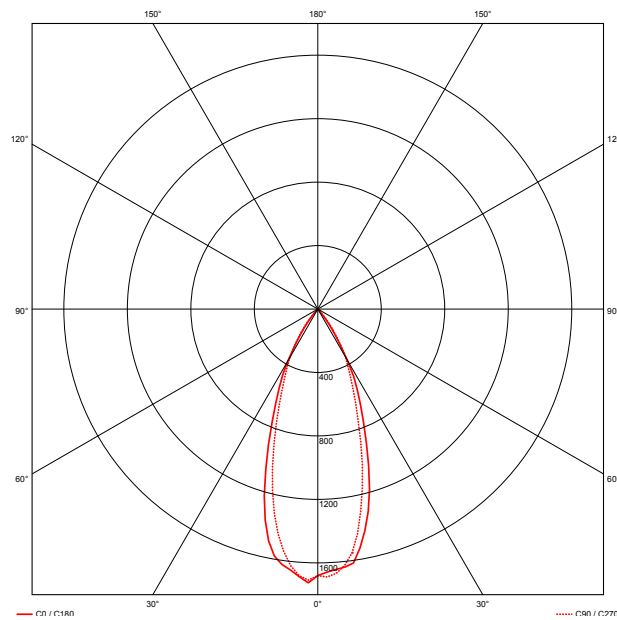
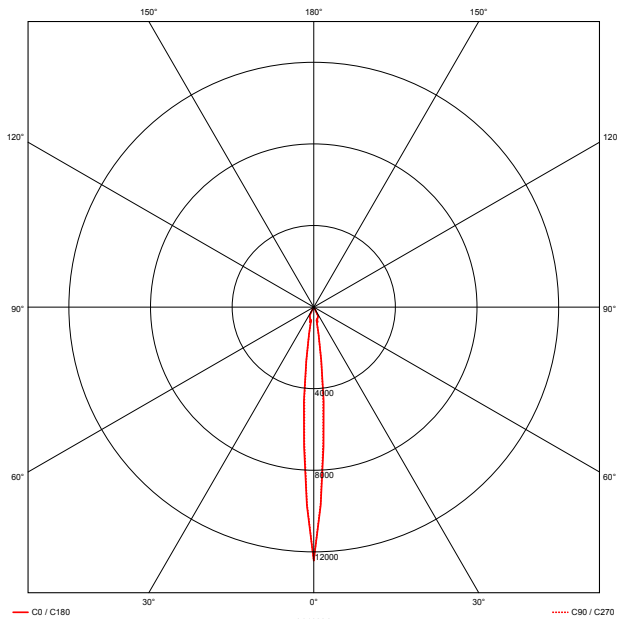
9°



38°



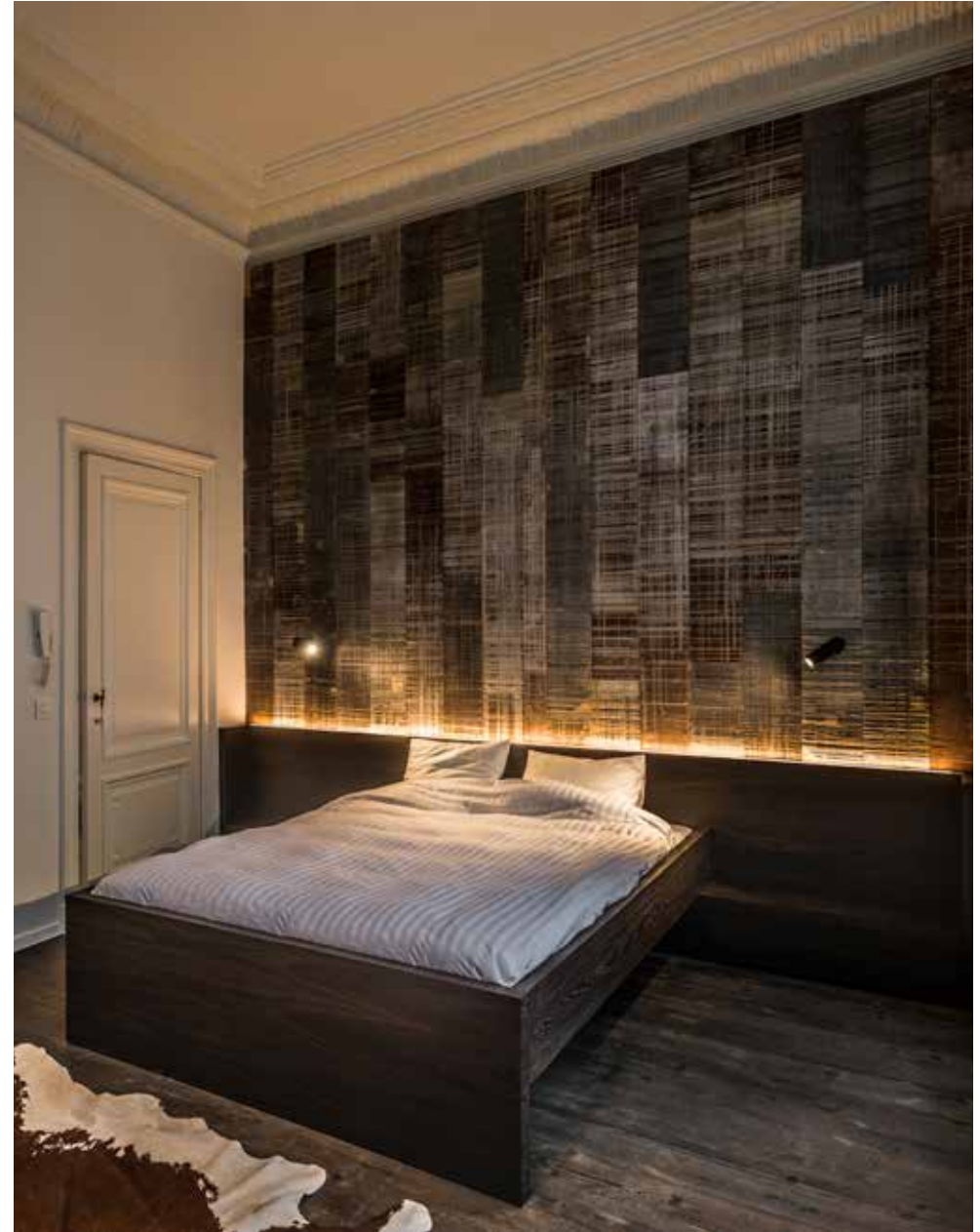
60°





ceiling mounted

MINI SCOOP DEIMOS





ceiling mounted

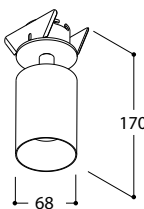


ceiling mounted  56 mm 

FUNNEL ELBOW







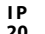


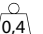
FUNNEL ELBOW HALOED LEAF



LUXEON M LED 7,84W
700mA DC
755 lumen
beam 36°
dimnable PWM or CCR
↻ 359° ↻ 40°

A+

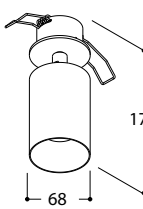
 56 mm
Installation height 40 mm

	2700K	3000K
TEXT. WHITE	484247	484347
TEXT. BLACK	484226	484326


CONVERTER p.560








FUNNEL ELBOW HALOED TORSION



LUXEON M LED 7,84W
700mA DC
755 lumen
beam 36°
dimnable PWM or CCR
↻ 359° ↻ 40°

A+

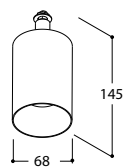
 56 mm
Installation height 40 mm

	2700K	3000K
TEXT. WHITE	484047	484147
TEXT. BLACK	484026	484126


CONVERTER p.560








FUNNEL ELBOW HALOED M10



LUXEON M LED 7,84W
700mA DC
755 lumen
beam 36°
dimnable PWM or CCR
↻ 359° ↻ 40°

A+

 56 mm
Installation height 40 mm

	2700K	3000K
TEXT. WHITE	484447	484547
TEXT. BLACK	484426	484526

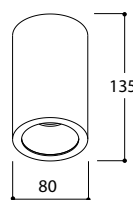
M10 BASES SEE P. 244

SPINA ON HALOLED

ceiling mounted



SPINA ON HALOLED



LUXEON M LED 7,84W
700mA DC
755 lumen
beam 36°
dimmable PWM or CCR

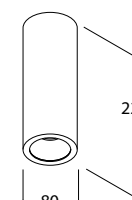
A+

CE, RoHS, ENEC, IP 20, F, Home, 0,5

	2700K	3000K
TEXT. WHITE	433047	433048
TEXT. BLACK	433026	433027
TEXT. WHITE + GOLD	433092	433093
BLACK + GOLD	433096	433097

p. 96

SPINA ON 220 HALOLED



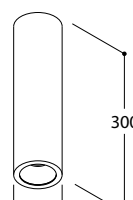
LUXEON M LED 7,84W
230V - AC
755 lumen
beam 36°
dimmable L,C

A+

CE, RoHS, ENEC, IP 20, F, Home, 0,8

	2700K	3000K
TEXT. WHITE	433547	433548
TEXT. BLACK	433526	433527
TEXT. WHITE + GOLD	433592	433593
BLACK + GOLD	433596	433597

SPINA ON 300 HALOLED



LUXEON M LED 7,84W
230V - AC
755 lumen
beam 36°
dimmable L,C

A+

CE, RoHS, ENEC, IP 20, F, Home, 1,0

	2700K	3000K
TEXT. WHITE	433447	433448
TEXT. BLACK	433426	433427
TEXT. WHITE + GOLD	433492	433493
BLACK + GOLD	433496	433497

CONVERTER p.560

GU10 versions: see website



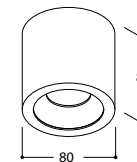




SPINA ON SPLASH



ha led SPINA ON SPLASH IP54



LUXEON M LED 7,84W
230V- AC
mains dimmable L,C
400 lumen



	2700K	3000K
TEXT. WHITE	433847	433848
TEXT. BLACK	433826	433827
TEXT. WHITE + GOLD	433892	433893
BLACK + GOLD	433896	433897



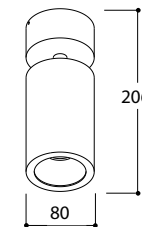


SPINA ELBOW



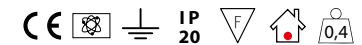
433196 - SPINA ELBOW BLACK+GOLD

SPINA ELBOW HALOLED



LUXEON M LED 7,84W
 230V - AC
 755 lumen
 beam 36°
 dimmable L,C
 ↻ 359° ↺ 40°

A+



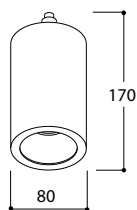
	2700K	3000K
TEXT. WHITE	433147	433148
TEXT. BLACK	433126	433127
TEXT. WHITE + GOLD	433192	433193
BLACK + GOLD	433196	433197

GU10 versions: see website

SPINA ELBOW M10



ha led SPINA ELBOW M10 HALOLED



LUXEON M LED 7,84W
 230V - AC
 755 lumen
 beam 36°
 dimmable L,C
 359° ↻ 40°

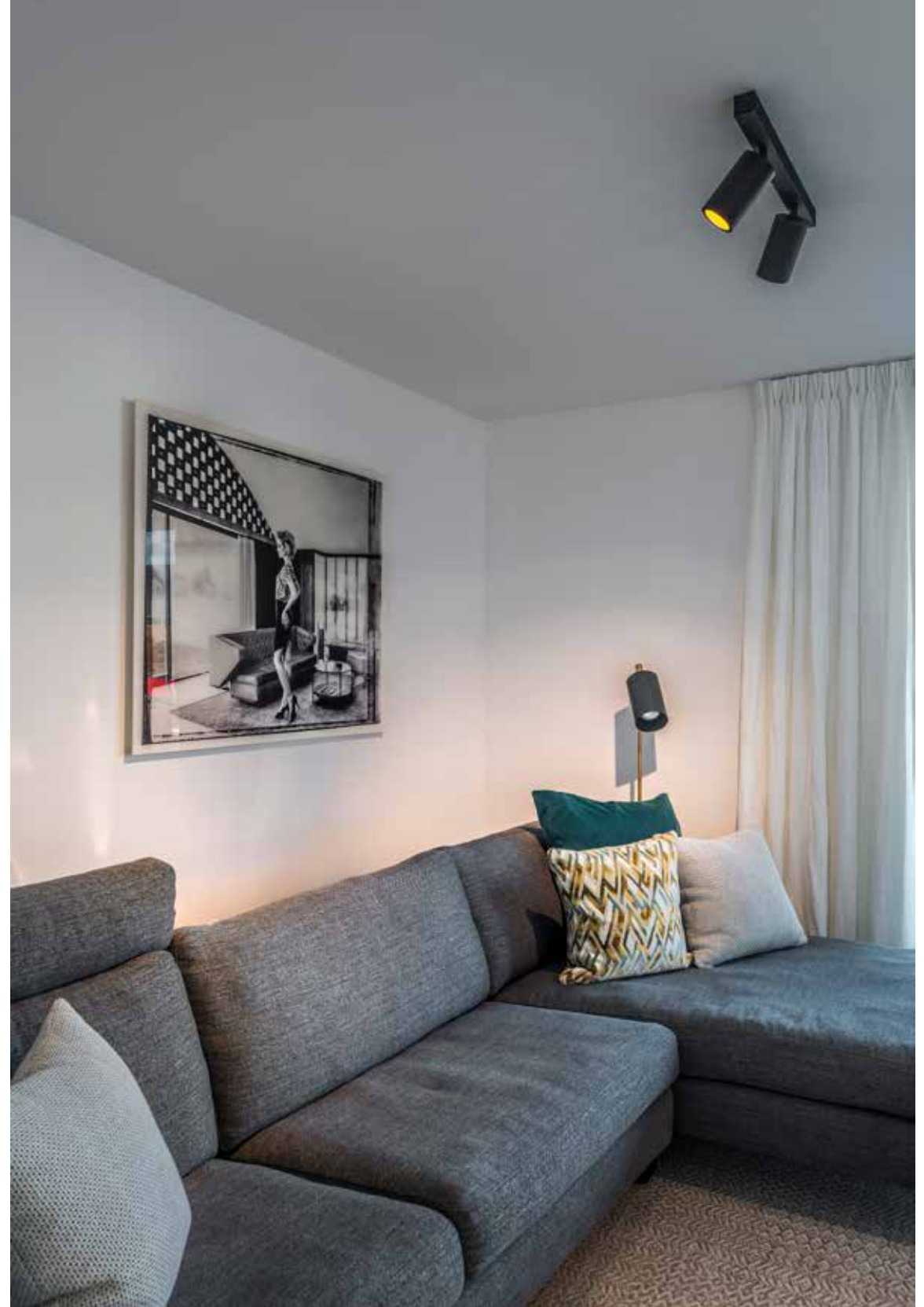
A+



	2700K	3000K
TEXT. WHITE	433247	433248
TEXT. BLACK	433226	433227
TEXT. WHITE + GOLD	433292	433293
BLACK + GOLD	433296	433297

 M10 BASES SEE P. 244

 GU10 versions: see website





BERRIER NXT

ceiling mounted



494247 - BERRIER TEXT. WHITE

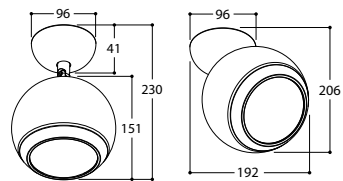


DETAIL BERRIER TEXT. WHITE



BERRIER BLACK + GOLD

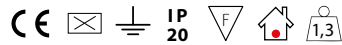
BERRIER NXT



PREVALED 12,7W
230V - AC
1100 lumen
beam 60°
dimmmable L, C
CRI 90
↔ 359° ↕ 45°

A+

adjust by incorporated hinge
with hex key



	2700K
TEXTURED WHITE	494247
TEXTURED BLACK	494226
TEXTURED RED	494234
BLACK + CHROME	494219
WHITE + CHROME	494220
BLACK + GOLD	494296
CU ₂₉	494250
TEXTURED BLACK + CU ₂₉	494256
CU ₂₉ + TEXTURED BLACK	494257
TEXTURED WHITE (HOUSING) + TEXTURED BLACK (RING)	494294
TEXTURED BLACK (HOUSING) + TEXTURED WHITE (RING)	494295
GOLD 24K	494213



DETAIL BERRIER CU₂₉

ceiling mounted

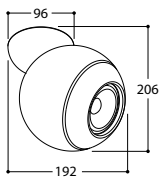
BERRIER SPEAKER



411657 - BERRIER SPEAKER CU₂₉ + TEXT. BLACK

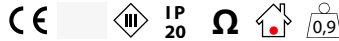


🔊 BERRIER SPEAKER



3" full range speaker
 power handling 30W
 impedance 8 Ohm
 frequency response 75Hz - 20kHz
 sensitivity 1W/1m - 88dB
 ↻ 359° ↻ 45°

adjust by incorporated hinge
 with hex key



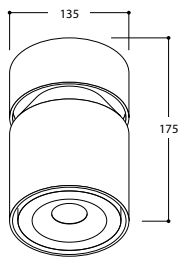
TEXTURED WHITE	411647
TEXTURED BLACK	411626
TEXTURED RED	411634
BLACK + CHROME	411619
WHITE + CHROME	411620
BLACK+GOLD	411696
CU ₂₉	411650
TEXTURED BLACK + CU ₂₉	411656
CU ₂₉ + TEXTURED BLACK	411657
TEXTURED WHITE (HOUSING) + TEXTURED BLACK (RING)	411694
TEXTURED BLACK (HOUSING) + TEXTURED WHITE (RING)	411695

DETAIL BERRIER SPEAKER

THOR



THOR BEAUFORT²

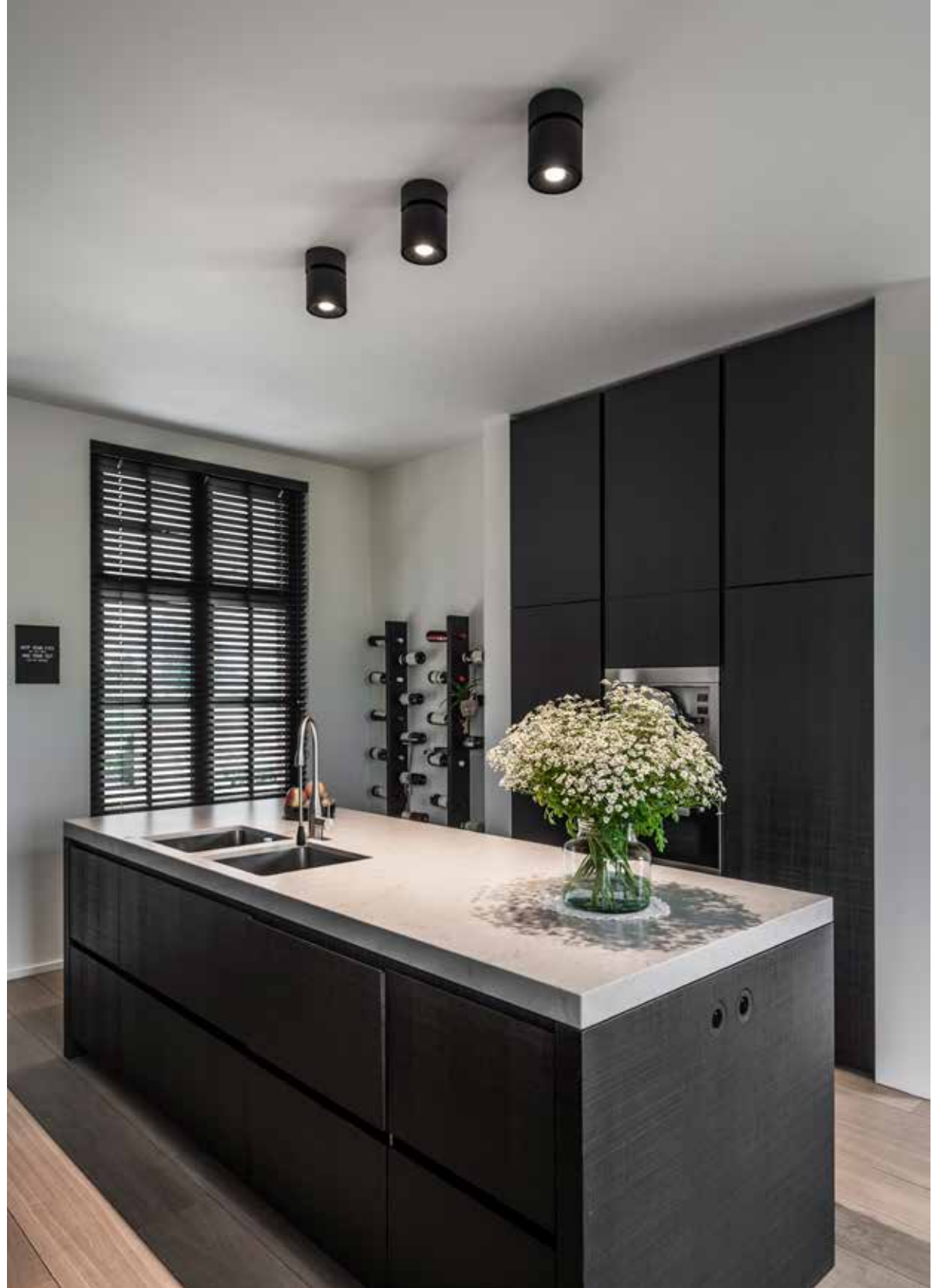


CITIZEN LED 18W
230V - AC
2000 Lumen
↻ 359° ↕ 30°

A++



	2700K		3000K	
	35°	70°	35°	70°
TEXT. WHITE	102447	102427	102477	102437
TEXT. BLACK	102446	102426	102476	102436

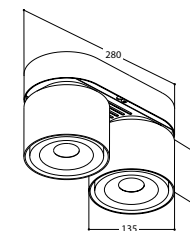


ceiling mounted

THOR TWIN



THOR TWIN BEAUFORT²



CITIZEN LED (x2) - 18W
 230V - AC
 2x 2000 Lumen
 ↻ 359° ↕ 30°

A++

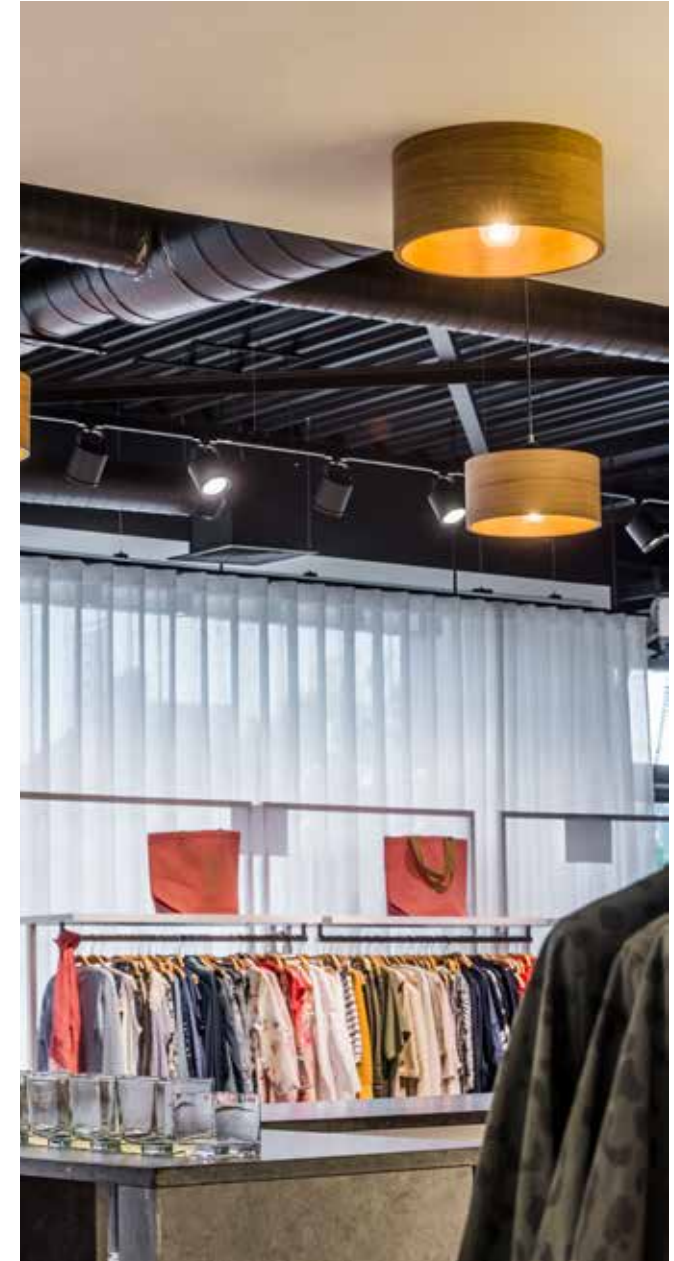
CE IP 20 4,2

	2700K			3000K		
	24°	35°	70°	24°	35°	70°
TEXT. WHITE	332607	332647	332627	332617	332677	332637
TEXT. BLACK	332606	332646	332626	332616	332676	332636
	4000K					
	24°	35°	70°			
TEXT. WHITE	-	332657	332667			
TEXT. BLACK	-	332656	332666			



ROBAN E27

ceiling mounted



ROBAN SURFACE



ROBAN OAK



A60 100W
E27
230V - AC
dimnable R: see lamp

CE, ENEC, IP 20, F, Home, 6

TEXT. WHITE	105518
BLACK + GOLD	105526
TEXT. WHITE + GOLD	105527

A60 40W
E27
230V - AC
dimnable see lamp

CE, ENEC, IP 20, F, Home, 3

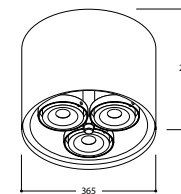
OAK + TEXT. WHITE	481647
OAK + CU ₂₂	481650
OAK + BRASS	481615

ceiling mounted

ROBAN BEAUFORT²

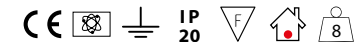


ROBAN SURF BEAUFORT²



CITIZEN (x3) 18W
230V - AC
3 x 2000 lm
155° ↕ 180°

A++



	2700K			3000K		
	24°	35°	70°	24°	35°	70°
TEXT. WHITE	105707	105747	105727	105717	105777	105737
TEXT. BLACK	105706	105746	105726	105716	105776	105736
	4000K					
	24°	35°	70°			
TEXT. WHITE	-	105757	105767			
TEXT. BLACK	-	105756	105766			



ROLLO design by Sylvain Willenz

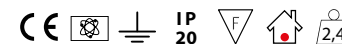
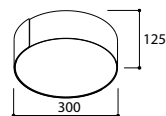
ceiling mounted



ROLLO SURFACE 300



LED ARRAY 13,8W
230V - AC
1880 Lumen
Opal diffuser
Indirect backlight



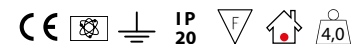
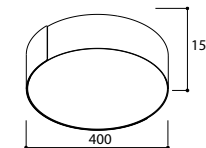
	3000K	
	Dimmable L, C	Touch/Dali Dimmable
TEXT. WHITE + BRASS	492057	492067
TEXT. BLACK + BRASS	492056	492066
TEXT. BLACK + CU ₂₉	492050	492060



ROLLO SURFACE 400



LED ARRAY 18,3W
230V - AC
2740 Lumen
Opal diffuser
Indirect backlight



	3000K	
	Dimmable L, C	Touch/Dali Dimmable
TEXT. WHITE + BRASS	492257	492267
TEXT. BLACK + BRASS	492256	492266
TEXT. BLACK + CU ₂₉	492250	492260

ceiling mounted

design by Sylvain Willenz **ROLLO**



HUBBLE

design by Sylvain Willenz

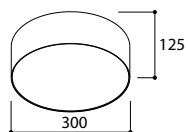
ceiling mounted



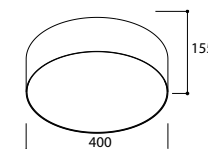
HUBBLE SURFACE 300



HUBBLE SURFACE 400



LED ARRAY 13,8W
230V - AC
1880 Lumen
Opal diffuser
Indirect backlight

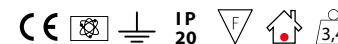


LED ARRAY 18,3W
230V - AC
2740 Lumen
Opal diffuser
Indirect backlight



3000K	
Dimmable L, C	Touch/Dali Dimmable
TEXT. WHITE	491847
TEXT. BLACK	491826

TEXT. WHITE	491847	491857
TEXT. BLACK	491826	491836



3000K	
Dimmable L, C	Touch/Dali Dimmable
TEXT. WHITE	491867
TEXT. BLACK	491846

TEXT. WHITE	491867	491877
TEXT. BLACK	491846	491856



design by Sylvain Willenz



HUBBLE

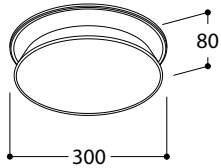


DIABOLO M design by Cas Moor & Lieven Musschoot


ceiling mounted



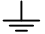





 **DIABOLO M** 




LED ARRAY 13,8 W
230V - AC
1880 Lumen
CRI 82

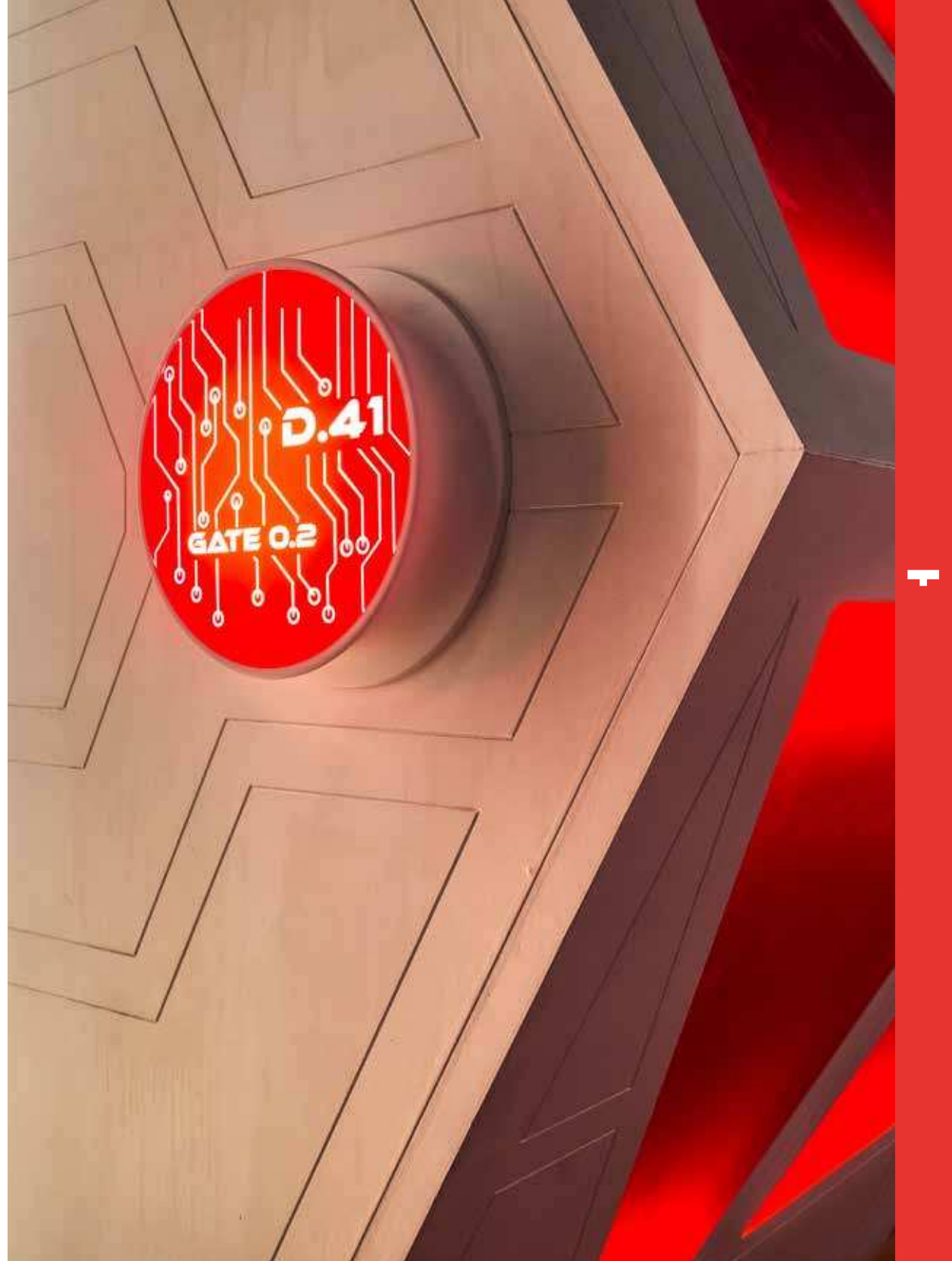


   **IP 20**   

	2700K		3000K		4000K	
	mains dim	dali/touch	mains dim	dali/touch	mains dim	dali/touch
TEXT. WHITE	177637	177737	177647	177747	177657	177757
TEXT. BLACK	177616	177716	177626	177726	177636	177736

 p. 154





FABIAN

ceiling mounted

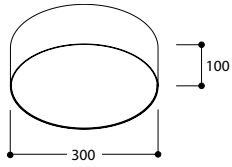



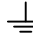
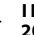

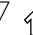

 FABIAN 300



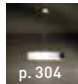
LED ARRAY 13,8 W
230V - AC
CRI 82

A++



CE    IP 20  F   1,8

	3000K		4000K	
	mains dim	dali/touch	mains dim	dali/touch
TEXT. WHITE	620147	620157	620167	620177
TEXT. BLACK	620146	620156	620166	620176
	1880 lm		2050 lm	

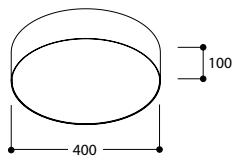
 p. 304


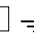
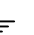
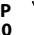


 FABIAN 400



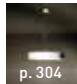
LED ARRAY 18,3 W
230V - AC
CRI 82

A++



CE    IP 20  F   2,2

	3000K		4000K	
	mains dim	dali/touch	mains dim	dali/touch
TEXT. WHITE	621147	621157	621167	621177
TEXT. BLACK	621146	621156	621166	621176
	2740 lm		2990 lm	

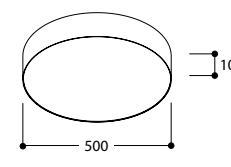
 p. 304


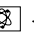
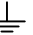
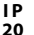


 FABIAN 500



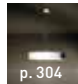
LED ARRAY 35,2 W
230V - AC
CRI 82

A++



CE    IP 20  F   2,5

	3000K		4000K	
	non dim	dali/touch	non dim	dali/touch
TEXT. WHITE	630147	630157	630167	630177
TEXT. BLACK	630146	630156	630166	630176
	5200 lm		5200 lm	

 p. 304

ceiling mounted



FABIAN OAK

ceiling mounted



FABIAN OAK

LED ARRAY 13.8 W
230V - AC
1800lm

A++

CE, IP 20, F, 2,6

	3000K	
	dimmable I, C	touch/dali dimmable
OAK	481000	481050

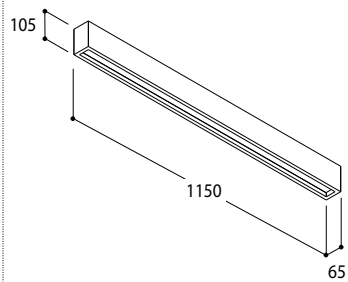
p. 305

ceiling mounted

TIMBER/LEYE

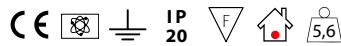


TIMBER



A++

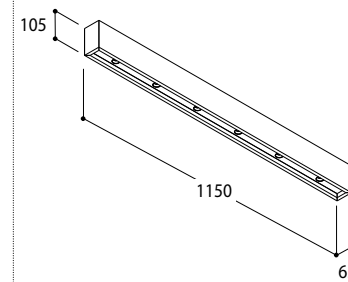
LED SMD ARRAY 17,6 W
230V - AC
2600lm



	2700K		3000K	
	not dimm	dali dimm	not dimm	dali dimm
OAK	481011	481061	481010	481060
BLACK OAK	481017	481067	481016	481066

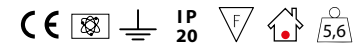


LEYE



A++

LUXEON M LED 6x 3,82W
230V - AC
6x 400 LUMEN
dimmable L,C
beam 36°



	2700K
BLACK OAK + GOLD ANO	481096

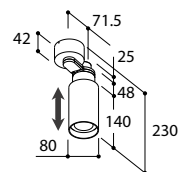


TELESCOOP design by Sylvain Willenz

ceiling mounted



TELESCOOP SURFACE



Luxeon M LED 7,84W
 230V - AC
 Adjustable beam 20°- 48°
 755 lumen
 Not dimmable
 Tilt 0-50°



	2700K	3000K
TEXT. WHITE	491447	491457
TEXT. BLACK	491426	491436



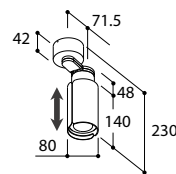
p. 222

ceiling mounted

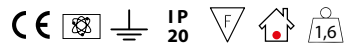
design by Sylvain Willenz **NELSON**



⊕ NELSON SURFACE



Luxeon M LED 7,84W
230V - AC
Adjustable beam 20° - 48°
755 lumen
Not dimmable
Tilt 0-50°



	2700K	3000K
TEXT. WHITE + BRASS	491057	491067
TEXT. BLACK + BRASS	491056	491066
TEXT. BLACK + CU ₂₉	491050	491060



Design by Sylvain Willenz

WODAN BEAUFORT²

ceiling mounted



WODAN 2 BEAUFORT²

CITIZEN 2 x 13W
230V - AC
2 x 1500 lumen
↻ 155° ↕ 180°

A++

CE, RoHS, IP 20, F, Home, 3.6

	2700K		3000K	
	35°	70°	35°	70°
TEXT. WHITE	420287	420267	420277	420257
TEXT. BLACK	420285	420266	420276	420256
TEXT. WHITE + TEXT. BLACK	420282	420264	420274	420254

BEAUFORT

WODAN 4 BEAUFORT² LINE

CITIZEN 4 x 13W
230V - AC
4 x 1500 lumen
↻ 155° ↕ 180°

A++

CE, RoHS, IP 20, F, Home, 6.9

	2700K		3000K	
	35°	70°	35°	70°
TEXT. WHITE	420487	420467	420477	420457
TEXT. BLACK	420485	420466	420476	420456
TEXT. WHITE + TEXT. BLACK	420482	420464	420474	420454

BEAUFORT

WODAN 1 BEAUFORT²

CITIZEN 13W
230V - AC
1500 lumen
↻ 155° ↕ 180°

A++

CE, RoHS, IP 20, F, Home, 1.6

	2700K		3000K	
	35°	70°	35°	70°
TEXT. WHITE	420187	420167	420177	420157
TEXT. BLACK	420185	420166	420176	420156
TEXT. WHITE + TEXT. BLACK	420182	420164	420174	420154

BEAUFORT

WODAN 3 BEAUFORT²

CITIZEN 3 x 13W
230V - AC
3 x 1500 lumen
↻ 155° ↕ 180°

A++

CE, RoHS, IP 20, F, Home, 5.3

	2700K		3000K	
	35°	70°	35°	70°
TEXT. WHITE	420387	420367	420377	420357
TEXT. BLACK	420385	420366	420376	420356
TEXT. WHITE + TEXT. BLACK	420382	420364	420374	420354

BEAUFORT

WODAN 4 BEAUFORT² SQUARE

CITIZEN 4 x 13W
230V - AC
4 x 1500 lumen
↻ 155° ↕ 180°

A++

CE, RoHS, IP 20, F, Home, 6.9

	2700K		3000K	
	35°	70°	35°	70°
TEXT. WHITE	420587	420567	420577	420557
TEXT. BLACK	420585	420566	420576	420556
TEXT. WHITE + TEXT. BLACK	420582	420564	420574	420554

BEAUFORT

ceiling mounted

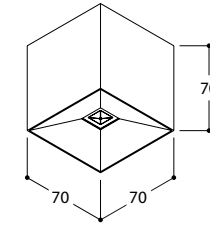
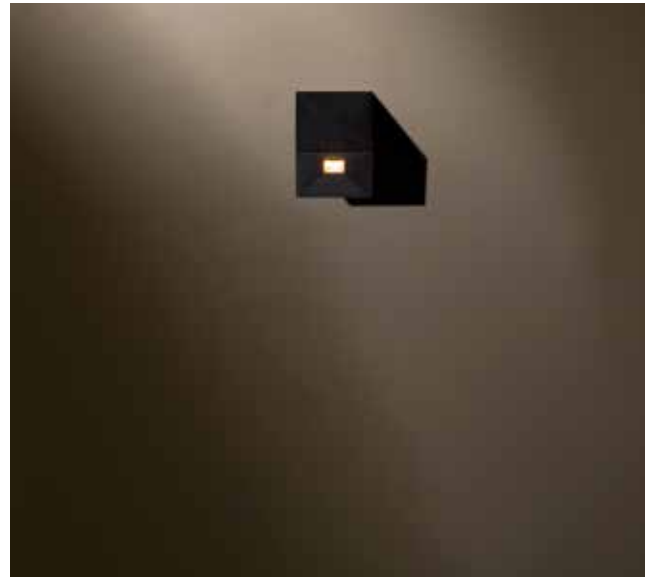
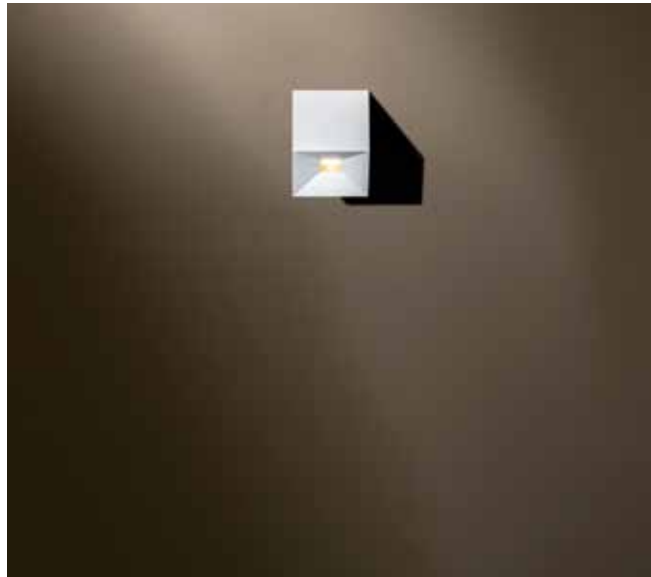
WODAN BEAUFORT²



DICE

ceiling mounted

DICE CI MAINS DIMMABLE



LUXEON M LED 3,82W
230V - AC
400 Lumen
beam 50°
dimmable L,C

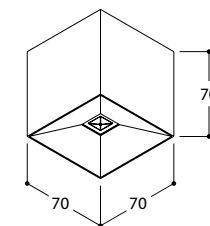
A++



	2700K	3000K
TEXT. WHITE	377147	377137
TEXT. BLACK	377126	377116



DICE WC



LUXEON M LED 3,82W
350mA DC
400 Lumen
beam 50°

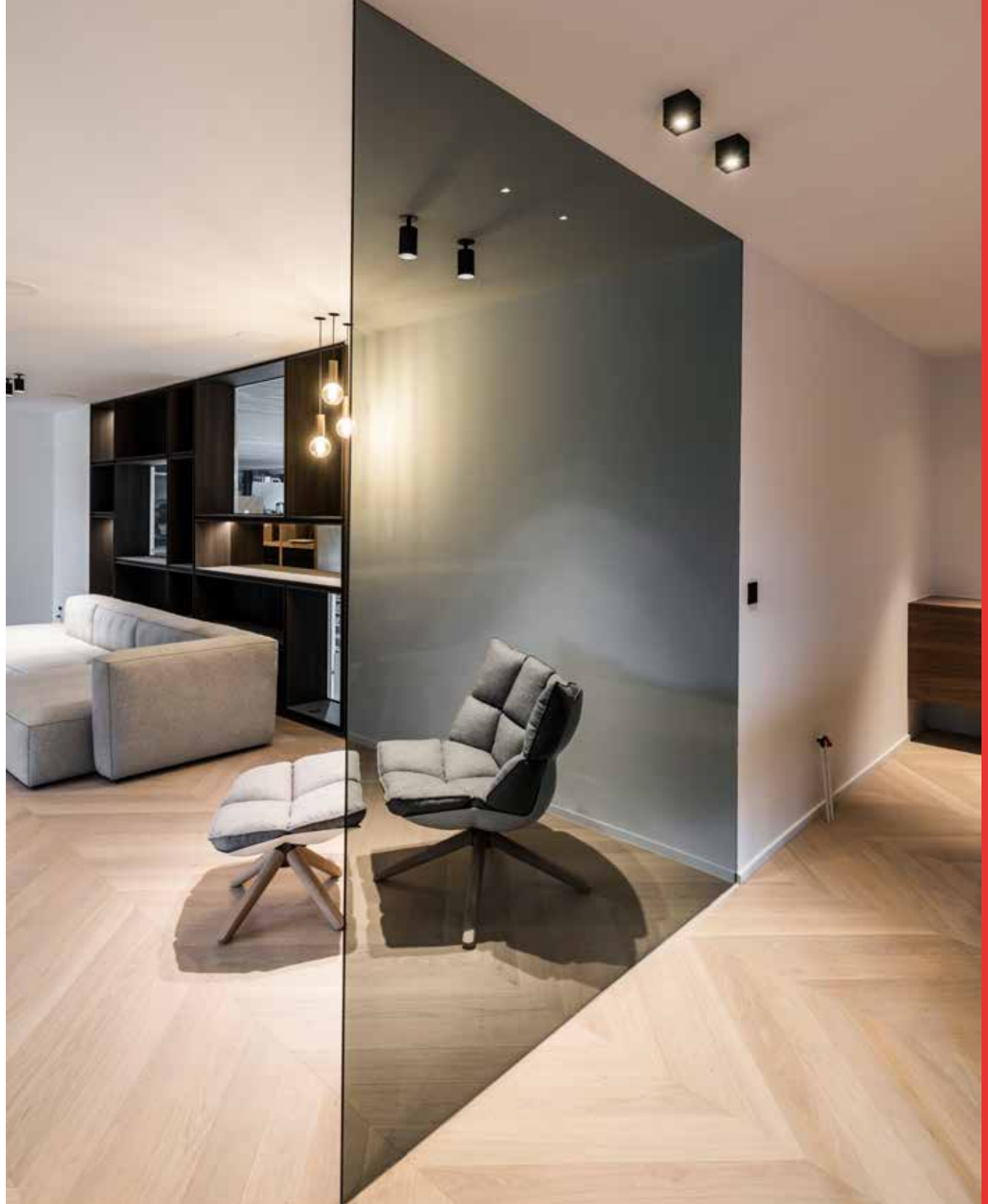
A++



	2700K	3000K
TEXT. WHITE	377247	377237
TEXT. BLACK	377226	377216



ceiling mounted



MICRO TOMMY

ceiling mounted

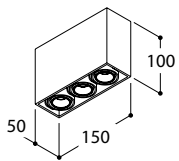


ceiling mounted

MICRO TOMMY

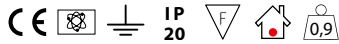


MICRO TOMMY CEILING



LUXEON M LED (3x) 3,82W
 230V - AC
 3x 400 Lumen
 beam 36°
 ↻ 35° ↺ 20°

A++



	2700K	3000K
TEXT. WHITE	419747	419737
TEXT. BLACK	419726	419716
TEXT. WHITE + BLACK FOCUS	419794	419784
BLACK + GOLD	419796	419786
TEXT. WHITE + BLACK RINGS	419797	419787



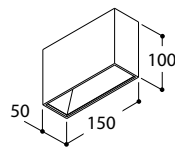


ceiling mounted

BOA

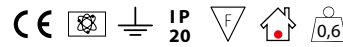


 BOA LED



CITIZEN LED 6,44W
230V - AC
595 lumen

A+



2700K

TEXT. WHITE	405147
TEXT. BLACK + WHITE	405195
TEXT. WHITE + GOLD	405192
BLACK+GOLD	405126

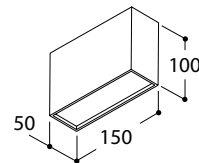


MAZ

ceiling mounted

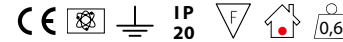


 MAZ 300

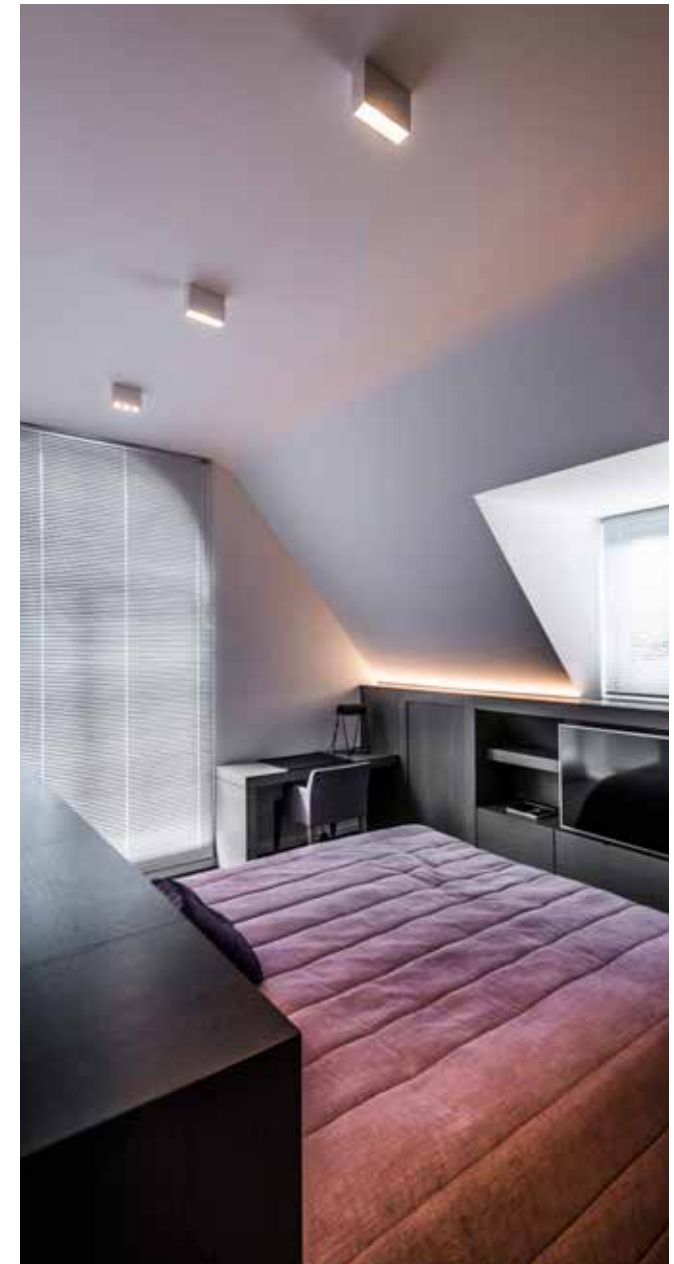


LED ARRAY - 2W
230V - AC
300 Lumen

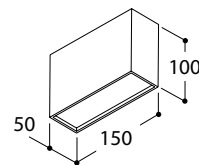
A++



	2700K	3000K
TEXT. WHITE	405647	405637
TEXT. BLACK	405626	405616



 MAZ 600



LED ARRAY - 4,2W
230V - AC
600 Lumen

A++



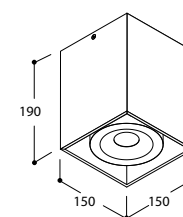
	2700K	3000K
TEXT. WHITE	405547	405537
TEXT. BLACK	405526	405516



DADO S

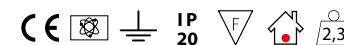


 DADO S BEAUFORT² 



CITIZEN LED 18W
 230V - AC
 2000 Lumen
 ↻ 359° ↻ 30°

A++



	2700K		3000K	
	35°	70°	35°	70°
TEXT. WHITE	370747	370727	370777	370737
TEXT. BLACK	370746	370726	370776	370736



DJANGO

ceiling mounted



371941 - DJANGO HALOLED TEXT. WHITE

hal led DJANGO HALOLED



LUXEON M LED 5,53W
230V - AC
566 lumen
beam 36°

A+

CE IP 20 0,8

	2700K	3000K
TEXT. WHITE	371941	371943
TEXT. BLACK	371942	371944
TEXT. WHITE + TEXT. BLACK	371945	371946

GU10 versions: see website



371951 - DJANGO DOUBLE HALOLED TEXT. WHITE

hal led DJANGO HALOLED DOUBLE



LUXEON M LED 5,53W (x2)
230V - AC
1132 lumen
beam 36°
mains dim L,C

A+

CE IP 20 1,5

	2700K	3000K
TEXT. WHITE	371951	371953
TEXT. BLACK	371952	371954
TEXT. WHITE + TEXT. BLACK	371955	371956

GU10 versions: see website



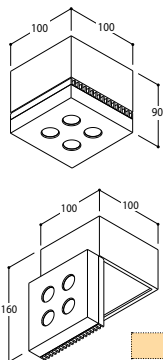


PANDORA

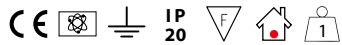
ceiling mounted



PANDORA



CREE XPG 8W
230V - AC
832 Lumen
CRI 92
90°
dimmable L,C



	2700K			3000K		
	10°	25°	46°	10°	25°	46°
TEXT. WHITE	391237	391337	391437	391247	391347	391447
TEXT. BLACK	391216	391316	391416	391226	391326	391426



adjust by incorporating hinge with hex key

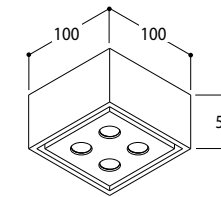
adjust incorporated hinge with hex Allen key



ODIL

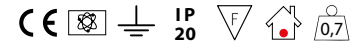
ceiling mounted

ODIL NXT CI



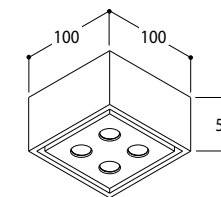
CREE XPG 4x2W
230V AC
Dimmable L,C
832lm
CRI 92

A+



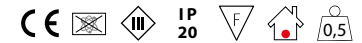
	2700K			3000K		
	10°	25°	46°	10°	25°	46°
TEXT. WHITE	390647	390747	390847	390657	390757	390857
TEXT. BLACK	390626	390726	390826	390636	390736	390836

ODIL NXT WC



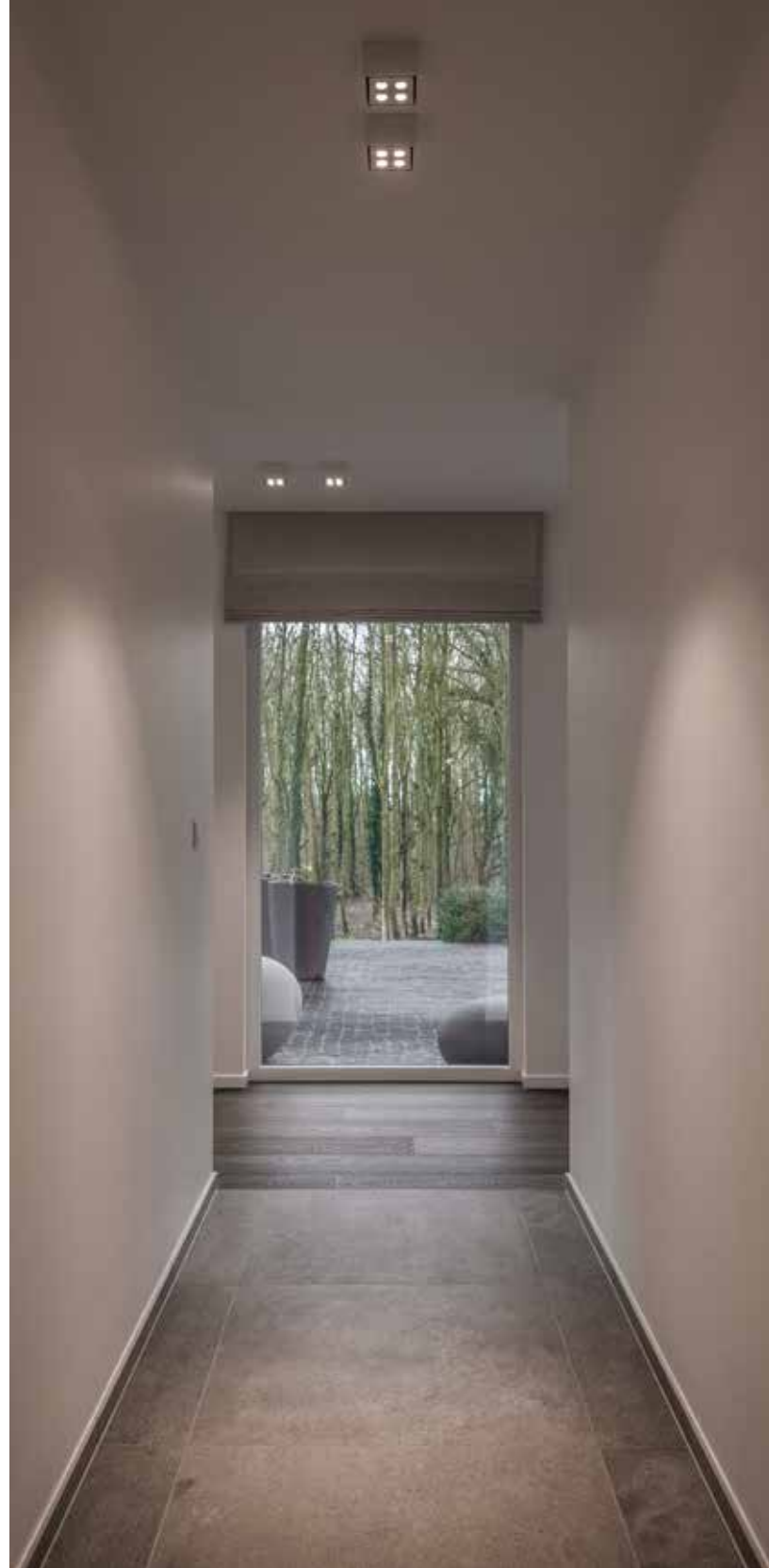
CREE XPG 4x2W
700mA DC
Dimmable PWM or CCR
832lm
CRI 92

A+



	2700K			3000K		
	10°	25°	46°	10°	25°	46°
TEXT. WHITE	390667	390767	390867	390677	390777	390877
TEXT. BLACK	390646	390746	390846	390656	390756	390856

CONVERTER p.560



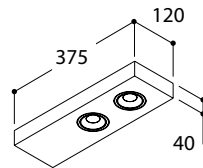


ceiling mounted

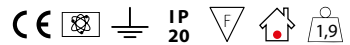
DOMINO



DOMINO SFEROS BEAUFORT



CITIZEN LED 2 x 6,22W
 230V - AC
 2 x 758 Lumen
 CRI 92
 dimmable 1-10V
 beam 36°
 ↻ 359° ↻ 60° TILT



	2700K	3000K
TEXT. WHITE	468347	468357
TEXT. BLACK	468326	468336



SURFACE KIT SMALL

ceiling mounted



SURFACE KIT + MINI TOMMY BEAUFORT

SURFACE KIT SMALL 1 (700mA)



230V - AC
CI 700 mA 12W

CE IP 20

TEXT. WHITE	793118	
TEXT. BLACK	793126	
	2700K	3000K
MINI TOMMY 1 HALO TEXT. WHITE	117407	117417
MINI TOMMY 1 HALO TEXT. BLACK	117406	117416

GU10 versions: see website

SURFACE KIT SMALL 1 (180mA)



230V - AC
CI 180mA

CE IP 20

TEXT. WHITE	793128	
TEXT. BLACK	793136	
	2700K	3000K
MINI TOMMY 1 BF TEXT. WHITE	109107	109117
MINI TOMMY 1 BF TEXT. BLACK	109106	109116

GU10 versions: see website



SURFACE KIT + MINI TOMMY BEAUFORT

SURFACE KIT SMALL 2 (700mA)



230V - AC
CI 700 mA 24W

CE IP 20

TEXT. WHITE	793218	
TEXT. BLACK	793226	
	2700K	3000K
MINI TOMMY 2 HALO TEXT. WHITE	117507	117517
MINI TOMMY 2 HALO TEXT. BLACK	117506	117516

GU10 versions: see website

SURFACE KIT SMALL 2 (180mA)



230V - AC
CI 180mA

CE IP 20

TEXT. WHITE	793228	
TEXT. BLACK	793236	
	2700K	3000K
MINI TOMMY 2 BF TEXT. WHITE	109207	109217
MINI TOMMY 2 BF TEXT. BLACK	109206	109216

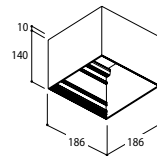
GU10 versions: see website

ceiling mounted

SURFACE KIT LARGE



SURFACE KIT LARGE 1 (500mA)



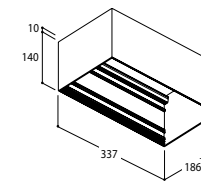
230V - AC
CI 500 mA 18W



TEXT. WHITE **796628**
TEXT. BLACK **796636**

	2700K		3000K	
	35°	70°	35°	70°
◉ TOMMY 1 BEAUFORT ² TEXT. WHITE	740137	740117	740138	740118
◉ TOMMY 1 BEAUFORT ² TEXT. BLACK	108146	108136	108147	108137

SURFACE KIT LARGE 2 (500mA)



230V - AC
CI 500 mA 36W



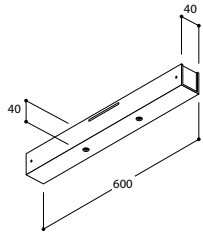
TEXT. WHITE **796728**
TEXT. BLACK **796736**

	2700K		3000K	
	35°	70°	35°	70°
◉ TOMMY 2 BEAUFORT ² TEXT. WHITE	740237	740217	740238	740218
◉ TOMMY 2 BEAUFORT ² TEXT. BLACK	108246	108236	108247	108237

M10 BASE CI 350mA

ceiling mounted

M10 BASE DUO CI 350mA 600

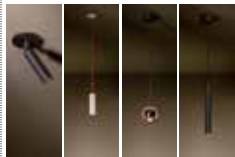


MAX 8W
230V - AC
output 350mA - DC

CE, IP 20, F, 0,8

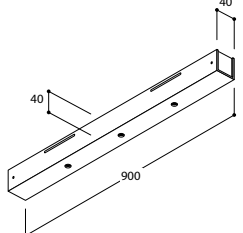
Non dimmable	Dimmable L, C
--------------	---------------

TEXT. WHITE	378247	378248
TEXT. BLACK	378226	378227



Nobel elbow Nobel Berrier Junior Nobel Pi

M10 BASE TRIO CI 350mA 900



MAX 12W
230V - AC
output 350mA - DC

CE, IP 20, F, 1,2

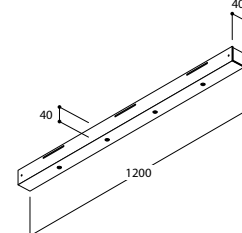
Non dimmable	Dimmable L, C
--------------	---------------

TEXT. WHITE	378347	378348
TEXT. BLACK	378326	378327



Nobel elbow Nobel Berrier Junior Nobel Pi

M10 BASE QUATTRO CI 350mA 1200



MAX 16W
230V - AC
output 350mA - DC

CE, IP 20, F, 1,6

Non dimmable	Dimmable L, C
--------------	---------------

TEXT. WHITE	378447	378448
TEXT. BLACK	378426	378427



Nobel elbow Nobel Berrier Junior Nobel Pi



ceiling mounted

M10 BASE CI 700mA

M10 BASE DUO CI 700mA 600



MAX 16W
230V - AC
output 700mA - DC

CE, IP 20, F, 0,8

	Non dimmable	Dimmable L, C
TEXT. WHITE	379247	379248
TEXT. BLACK	379226	379227

Funnel elbow Spina elbow Spinola

M10 BASE TRIO CI 700mA 900



MAX 24W
230V - AC
output 700mA - DC

CE, IP 20, F, 1,2

	Non dimmable	Dimmable L, C
TEXT. WHITE	379347	379348
TEXT. BLACK	379326	379327

Funnel elbow Spina elbow Spinola

M10 BASE QUATTRO CI 700mA 1200



MAX 32W
230V - AC
output 700mA - DC

CE, IP 20, F, 1,6

	Non dimmable	Dimmable L, C
TEXT. WHITE	379447	378448
TEXT. BLACK	379426	378427

Funnel elbow Spina elbow Spinola

M10 BASE RECESSED SMALL



350mA DC / 500mA DC / 700mA DC / ...
... / 230V - AC

⌀ 20 mm
Installation height 50 mm

CE, IP 20, F, 0,1

TEXT. BLACK	408826
TEXT. WHITE	408847
TEXT. RED	408834
CHROME	408820

Nobel elbow Nobel Junior Berrier Pi Kalebas Nuts

M10 BASE RECESSED LARGE



350mA DC / 500mA DC / 700mA DC / ...
... / 230V - AC

⌀ 42 mm
Installation height 50 mm

Can be used as access point for converter!

CE, IP 20, F, 0,1

TEXT. BLACK	408926
TEXT. WHITE	408947
TEXT. RED	408934
CHROME	408920

Nobel elbow Funnel elbow Spina elbow Nobel Junior Berrier Pi Kalebas Nuts Spinola Berrier Nelson Telescoop



CONVERTER p.554 CONVERTER p.556 CONVERTER p.560

CONVERTER p.554 CONVERTER p.556 CONVERTER p.560

suspended



2U 464



ARCHIMEDES 308



BERRIER JUNIOR 264



BERRIER 280



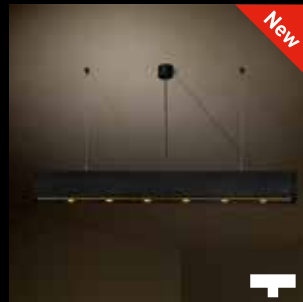
BORITI 510



DIMITRI 289



KING GEORGE 248



LEYE 307



LUZIEN 292



NELSON SUSPENDED 286



NOBEL 258



NOBEL OAK PI 260



ROBAN 298



ROBAN OAK 301



ROLLO SUSPENDED 302



SPINOLA 276



SURFACE KITS 242



TELESCOOP SUSPENDED 284

suspended



DORMENT 504



FABIAN 304



FABIAN OAK 305



HUBBLE SUSPENDED 303



KALEBAS 270



KAZAN 289



NOBEL PI 261



NUTS 272



OLIJF 290



PARIS 278



PRINCESS ANNA 254



QUEEN ELIZABETH 252



THOR 288



TIMBER 306



VIENNA 256



WINSTON 268



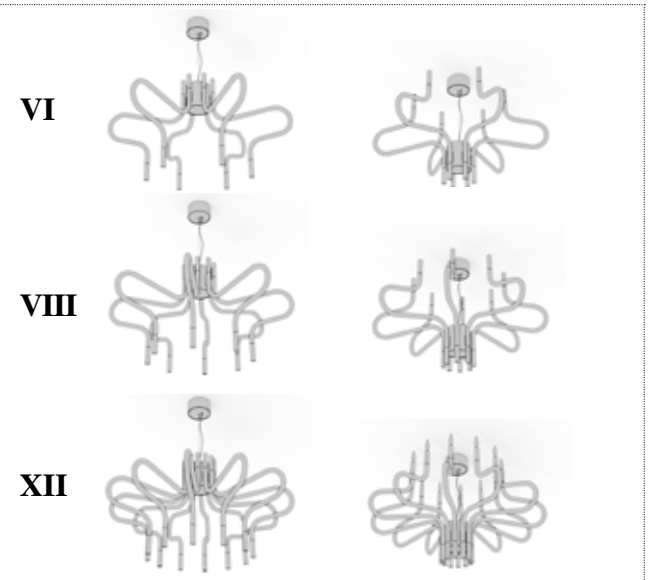
WODAN BEAUFORT² 310

King George

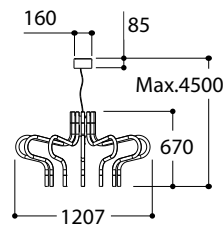
design by Michel de Nyn

suspended

CONFIGURATIONS



King George XII



TUBE DOWN:
 LUXEON M LED 12x 3,82W
 230V - AC
 12 x 400 Lumen
 2700K
 beam 36°

A++

PUCK UP:
 CREE XPE 12x 1,2W
 230V - AC
 12 x 35 Lumen
 AMBER



TEXT. BLACK+GOLD

435995

EXAMPLE
 MORE CONFIGURATIONS: WWW.KING-GEORGE.BE



suspended



King George design by Michel de Nyn





design by Michel de Nyn **King George**

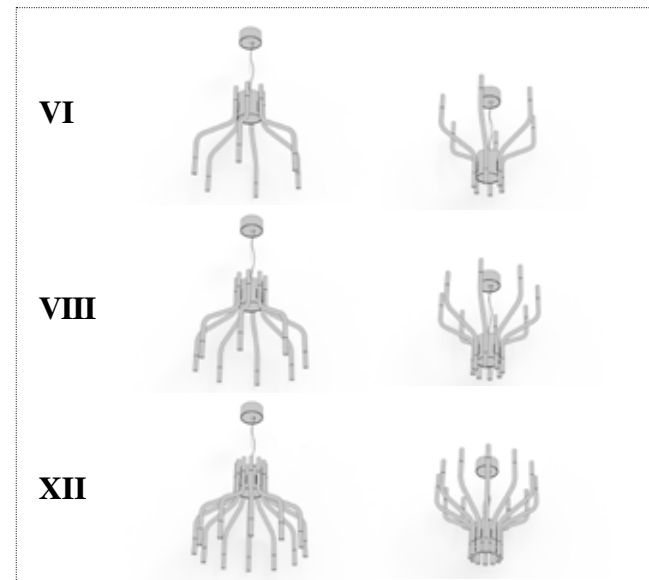


QUEEN ELIZABETH design by Michel de Nyn

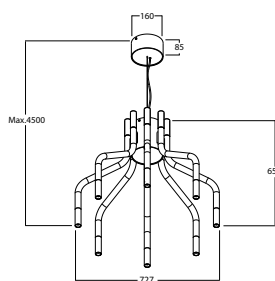
suspended



CONFIGURATIONS



Queen Elizabeth VIII



TUBE DOWN:
 LUXEON M LED 8x 3,82W
 230V - AC
 8 x 400 Lumen
 2700K
 beam 36°

A++

PUCK UP:
 CREE XPE 8x 1,2W
 230V - AC
 8 x 35 Lumen
 AMBER



TEXT. BLACK+GOLD

435996

EXAMPLE
 MORE CONFIGURATIONS: WWW.KING-GEORGE.BE





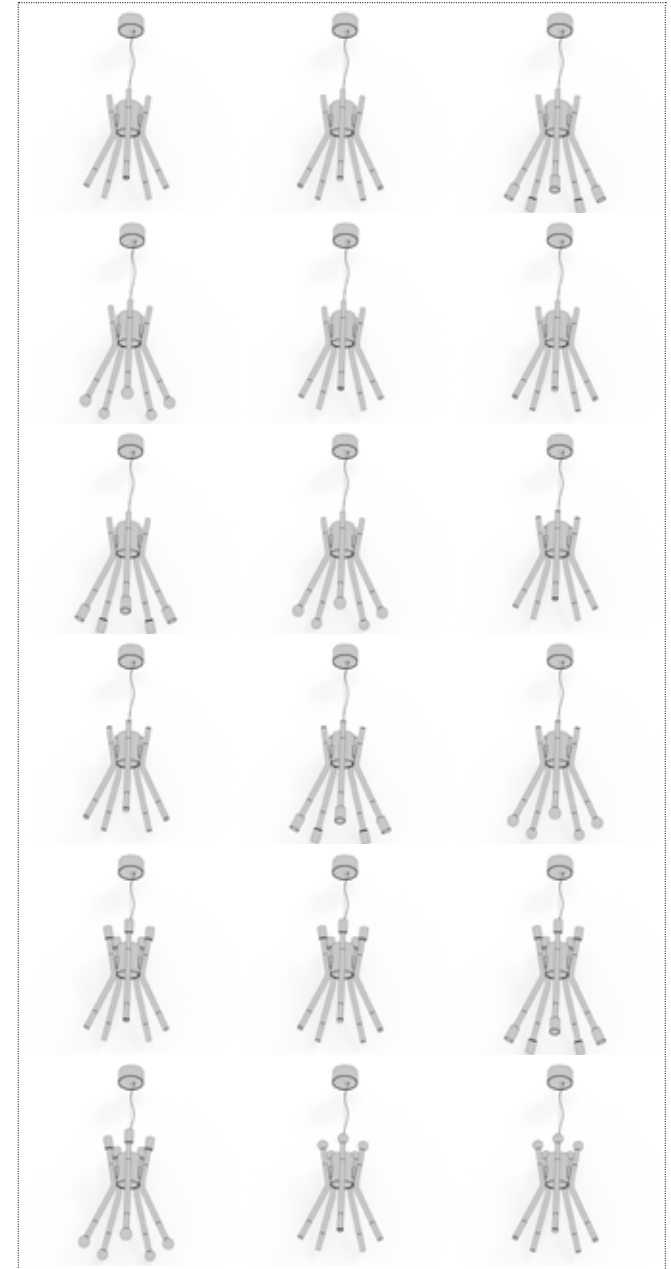
PRINCESS ANNA

design by Michel de Nyn

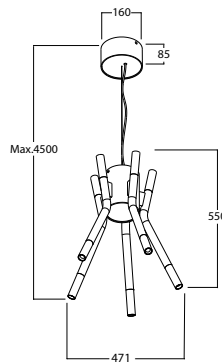
suspended



CONFIGURATIONS



Princess Anna



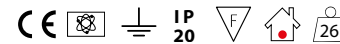
TUBE UP:

LUXEON M LED 5x 3,82W
230V - AC
5 x 400 Lumen
2700K
beam 36°

A++

PUCK DOWN:

CREE XPE 5x 1,2W
230V - AC
5 x 35 Lumen
AMBER



TEXT. BLACK+GOLD

435997

EXAMPLE
MORE CONFIGURATIONS: WWW.KING-GEORGE.BE

suspended

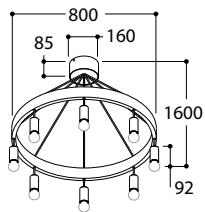


VIENNA

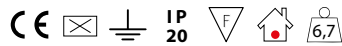
suspended



VIENNA E27



8x A60 max. 40W
E27
230V - AC
dimnable see bulb



OAK + TEXTURED WHITE + MAINSCORD WHITE

481847

suspended

VIENNA



NOBEL

suspended



NOBEL CI



LUXEON M LED 3,82W
230V - AC
400 Lumen
beam 36°

A++

CE, RoHS, ENEC, IP 20, F, Home, 0,8

	2700K	3000K
TEXT. WHITE - MAINSCORD RED	408134	408124
TEXT. BLACK - MAINSCORD BLACK	408102	408112
TEXT. WHITE + BLACK FOCUS - MAINSCORD BLACK	408194	408184
TEXT. RED - MAINSCORD RED	408127	408117
CHROME - MAINSCORD BLACK	408120	408110
TEXT. BLACK - MAINSCORD RED	408126	408116
TEXT. BLACK+GOLD - MAINSCORD BLACK	408196	408186
CU ₂₂ + TEXT. BLACK FOCUS - MAINSCORD BLACK	408157	408147
GOLD 24K - MAINSCORD BLACK	408113	408103

NOBEL WC



LUXEON M LED 3,82W
350mA DC
400 Lumen
beam 36°

A++

CE, RoHS, ENEC, IP 20, F, Home, 0,6

	2700K	3000K
TEXT. WHITE - MAINSCORD RED	408034	408024
TEXT. BLACK - MAINSCORD BLACK	408002	408012
TEXT. WHITE + BLACK FOCUS - MAINSCORD BLACK	408094	408084
TEXT. RED - MAINSCORD RED	408027	408017
CHROME - MAINSCORD BLACK	408020	408010
TEXT. BLACK - MAINSCORD RED	408026	408016
TEXT. BLACK+GOLD - MAINSCORD BLACK	408096	408086
CU ₂₂ + TEXT. BLACK FOCUS - MAINSCORD BLACK	408057	408047
GOLD 24K - MAINSCORD BLACK	408013	408003

NOBEL M10



LUXEON M LED 3,82W
350mA DC
400 Lumen
beam 36°

A++

CE, RoHS, ENEC, IP 20, F, Home, 0,6

	2700K	3000K
TEXT. WHITE - MAINSCORD RED	408234	408224
TEXT. BLACK - MAINSCORD BLACK	408202	408212
TEXT. WHITE + BLACK FOCUS - MAINSCORD BLACK	408294	408284
TEXT. RED - MAINSCORD RED	408227	408217
CHROME - MAINSCORD BLACK	408220	408210
TEXT. BLACK - MAINSCORD RED	408226	408216
TEXT. BLACK+GOLD - MAINSCORD BLACK	408296	408286
CU ₂₂ + TEXT. BLACK FOCUS - MAINSCORD BLACK	408257	408247
GOLD 24K - MAINSCORD BLACK	408213	408203

⊙ M10 BASE 350mA p.313

CONVERTER p.554



NOBEL OAK PI

suspended



NOBEL OAK PI CI

LUXEON M LED 3,82W
230V - AC
400 Lumen
beam 36°

A++

CE, RoHS, IP 20, F, Home, 0,6

	2700K	3000K
OAK + WHITE + mainscord WHITE	488447	488437
OAK + BLACK + mainscord BLACK	488426	488416
OAK + COPPER + mainscord BLACK	488450	488440
OAK + GOLD24K + mainscord BLACK	488415	488405



NOBEL OAK PI WC

LUXEON M LED 3,8W
350mA DC
400 Lumen
beam 36°

A++

CE, RoHS, III, IP 20, F, Home, 0,6

	2700K	3000K
OAK + WHITE + mainscord WHITE	488347	488337
OAK + BLACK + mainscord BLACK	488326	488316
OAK + COPPER + mainscord BLACK	488350	488340
OAK + GOLD24K + mainscord BLACK	488315	488305

CONVERTER p.554

NOBEL OAK PI M10

LUXEON M LED 3,82W
350mA DC
400 Lumen
beam 36°

A++

CE, RoHS, III, IP 20, F, Home, 0,6

	2700K	3000K
OAK + WHITE + mainscord WHITE	488547	488537
OAK + BLACK + mainscord BLACK	488526	488516
OAK + COPPER + mainscord BLACK	488550	488540
OAK + GOLD24K + mainscord BLACK	488515	488505

M10 BASE 350mA P.313



suspended

NOBEL PI



NOBEL PI CI

LUXEON M LED 3,82W
230V - AC
400 Lumen
beam 36°

A++

CE, RoHS, Energy Star, IP 20, F, Home, 0.6

	2700K	3000K
TEXT. WHITE + mainscord WHITE	418118	418108
TEXT. BLACK + mainscord BLACK	418102	418112
BLACK + GOLD	418196	418186
TEXTURED BLACK + CU ₂₉	418157	418147
CU ₂₉ + BLACK focus & mainscord	418156	418146
CHROME + BLACK focus & mainscord	418120	418110
BLACK/CHROME + mainscord BLACK	418119	418109
TEXT. WHITE + mainscord RED	418134	418124
WHITE + BLACK focus & mainscord	418194	418184
TEXT. WHITE/BLACK + pied de poule	418197	418187
TEXT. BLACK/WHITE + pied de poule	418195	418185
TEXT. BLACK + mainscord RED	418126	418116
TEXT. RED + mainscord RED	418127	418117
TEXT. BLACK/RED + mainscord RED	418193	418183
GOLD 24K - mainscord BLACK	418113	418103

NOBEL PI WC

LUXEON M LED 3,8W
350mA DC
400 Lumen
beam 36°

A++

CE, RoHS, Energy Star, IP 20, F, Home, 0.6

	2700K	3000K
TEXT. WHITE + mainscord WHITE	418018	418008
TEXT. BLACK + mainscord BLACK	418002	418012
BLACK + GOLD	418096	418086
TEXTURED BLACK + CU ₂₉	418057	418047
CU ₂₉ + BLACK focus & mainscord	418056	418046
CHROME + BLACK focus & mainscord	418020	418010
BLACK/CHROME + mainscord BLACK	418019	418009
TEXT. WHITE + mainscord RED	418034	418024
WHITE + BLACK focus & mainscord	418094	418084
TEXT. WHITE/BLACK + pied de poule	418097	418087
TEXT. BLACK/WHITE + pied de poule	418095	418085
TEXT. BLACK + mainscord RED	418026	418016
TEXT. RED + mainscord RED	418027	418017
TEXT. BLACK/RED + mainscord RED	418093	418083
GOLD 24K - mainscord BLACK	418013	418003

NOBEL PI M10

LUXEON M LED 3,82W
350mA DC
400 Lumen
beam 36°

A++

CE, RoHS, Energy Star, IP 20, F, Home, 0.6

	2700K	3000K
TEXT. WHITE + mainscord WHITE	418218	418208
TEXT. BLACK + mainscord BLACK	418202	418212
BLACK + GOLD	418296	418286
TEXTURED BLACK + CU ₂₉	418257	418247
CU ₂₉ + BLACK focus & mainscord	418256	418246
CHROME + BLACK focus & mainscord	418220	418210
BLACK/CHROME + mainscord BLACK	418219	418209
TEXT. WHITE + mainscord RED	418234	418224
WHITE + BLACK focus & mainscord	418294	418284
TEXT. WHITE/BLACK + pied de poule	418297	418287
TEXT. BLACK/WHITE + pied de poule	418295	418285
TEXT. BLACK + mainscord RED	418226	418216
TEXT. RED + mainscord RED	418227	418217
TEXT. BLACK/RED + mainscord RED	418293	418283
GOLD 24K - mainscord BLACK	418213	418203

○ M10 BASE 350mA P.313



CONVERTER p.554

suspended



GOLD 24K



TEXTURED BLACK + CU₂₃

suspended



BERRIER JUNIOR

suspended



BERRIER JUNIOR CI

BERRIER JUNIOR WC

BERRIER JUNIOR M10

LUXEON M LED 3,82W
230V - AC
400 Lumen
beam 60°

A++

CE, RoHS, Energy Star, IP 20, F, Home, 0,8

	2700K	3000K
TEXT. WHITE	487134	487124
TEXT. BLACK	487102	487112
BLACK + GOLD	487196	487186
CU ₂₃	487157	487147
CHROME	487120	487110
GOLD 24K	487113	487103

LUXEON M LED 3,82W
350mA DC
400 Lumen
beam 60°

A++

CE, RoHS, Energy Star, IP 20, F, Home, 0,7

	2700K	3000K
TEXT. WHITE	487034	487024
TEXT. BLACK	487002	487012
BLACK + GOLD	487096	487086
CU ₂₃	487057	487047
CHROME	487020	487010
GOLD 24K	487013	487003

LUXEON M LED 3,82W
350mA DC
400 Lumen
beam 60°

A++

CE, RoHS, Energy Star, IP 20, F, Home, 0,6

	2700K	3000K
TEXT. WHITE	487234	487224
TEXT. BLACK	487202	487212
BLACK + GOLD	487296	487286
CU ₂₃	487257	487247
CHROME	487220	487210
GOLD 24K	487213	487203

⦿ M10 BASE 350mA P.313

CONVERTER p.554





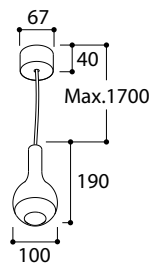


WINSTON

suspended

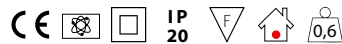


WINSTON CI



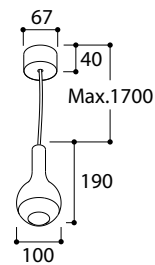
LUXEON M LED 3,82W
230V - AC
400 Lumen
beam 60°

A++



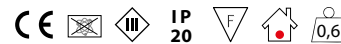
	2700K	3000K
TEXT. WHITE + mainscord white	486134	486124
TEXT. BLACK + mainscord black	486102	486112
BRUSHED ALU + mainscord red	486119	486109
CHROME + mainscord black	486120	486110

WINSTON WC



LUXEON M LED 3,82W
350mA DC
400 Lumen
beam 60°
dimnable PWM or CCR

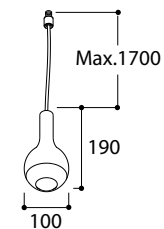
A++



	2700K	3000K
TEXT. WHITE + mainscord white	486034	486024
TEXT. BLACK + mainscord black	486002	486012
BRUSHED ALU + mainscord red	486019	486009
CHROME + mainscord black	486020	486010

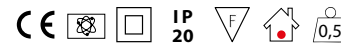
CONVERTER p.554

WINSTON M10



LUXEON M LED 3,82W
230V - AC
400 Lumen
beam 60°

A++



	2700K	3000K
TEXT. WHITE + mainscord white	486234	486224
TEXT. BLACK + mainscord black	486202	486212
BRUSHED ALU + mainscord red	486219	486209
CHROME + mainscord black	486220	486210

⦿ M10 BASE 230V P.313

suspended

Winston,
inspired by Blackout Light Bulbs,
complied with war department standards,
in commemoration of World War I
(1914-1918)



KALEBAS design by Cas Moor & Lieven Musschoot

suspended



suspended

design by Cas Moor & Lieven Musschoot **KALEBAS**



BLACK OAK + BLACK

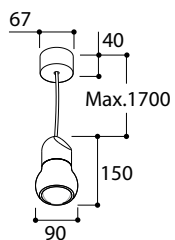


OAK + CU₂₉

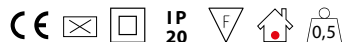


BLACK OAK + BLACK

KALEBAS

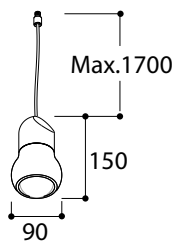


A60 - max. 40W
E27
230V - AC
dimable: see bulb

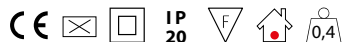


OAK + BRASS (MAINSCORD BLACK)	488015
BLACK OAK + BRASS (MAINSCORD BLACK)	488025
OAK + TEXT. BLACK (MAINSCORD BLACK)	488026
BLACK OAK + TEXT. BLACK (MAINSCORD BLACK)	488036
OAK + TEXT. WHITE (MAINSCORD WHITE)	488047
OAK + CU ₂₉ (MAINSCORD BLACK)	488050
BLACK OAK + CU ₂₉ (MAINSCORD BLACK)	488060

KALEBAS M10



A60 - max. 40W
E27
230V - AC
dimable: see bulb



OAK + BRASS (MAINSCORD BLACK)	488115
BLACK OAK + BRASS (MAINSCORD BLACK)	488125
OAK + TEXT. BLACK (MAINSCORD BLACK)	488126
BLACK OAK + TEXT. BLACK (MAINSCORD BLACK)	488136
OAK + TEXT. WHITE (MAINSCORD WHITE)	488147
OAK + CU ₂₉ (MAINSCORD BLACK)	488150
BLACK OAK + CU ₂₉ (MAINSCORD BLACK)	488160

M10 BASE 230V P.313

NUTS

suspended



NUTS E27

A60 MAX 40W
E27
230V - AC

CE, RoHS, IP 20, F, Home, 0.2

TEXT. WHITE	425047
TEXT. WHITE + MAINSCORD PIED de POULE	425094
TEXT. BLACK + MAINSCORD PIED de POULE	425095
TEXT. BLACK	425026
TEXT. RED	425034
TEXT. YELLOW	425035
CHROME + MAINSCORD BLACK	425021
BRUSHED ALU + MAINSCORD RED	425009
CU ₂₄ + MAINSCORD BLACK	425050
BRASS ANTIQUE	425060
TIN ANTIQUE	425061
BRONZE ANTIQUE	425062

exclusive lamp



NUTS DESIGNLINE

A60 MAX 40W
E27
230V - AC

CE, RoHS, IP 20, F, Home, 1.2

SILVER ANO + MAINSCORD RED	425209
GOLD 24K + MAINSCORD BLACK	425213

exclusive lamp

suspended



NUTS M10

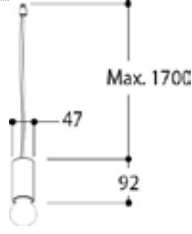
suspended







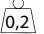
425560 - BRASS ANTIQUE + MAINSCORD BLACK






NUTS E27 M10



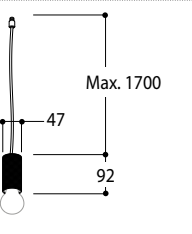
A60 MAX 40W
E27
230V - AC

CE   IP 20    0,2






TEXT. WHITE	425547
TEXT. WHITE + MAINSCORD PIED de POULE	425594
TEXT. BLACK + MAINSCORD PIED de POULE	425595
TEXT. BLACK	425526
TEXT. RED	425534
TEXT. YELLOW	425535
CHROME + MAINSCORD BLACK	425521
BRUSHED ALU + MAINSCORD RED	425509
CU ₂₄ + MAINSCORD BLACK	425550
BRASS ANTIQUE	425560 
TIN ANTIQUE	425561 
BRONZE ANTIQUE	425562 

exclusive lamp

NUTS DESIGNLINE M10





A60 MAX 40W
E27
230V - AC

CE   IP 20    1,2

SILVER ANO + MAINSCORD RED	425609
GOLD 24K + MAINSCORD BLACK	425613

exclusive lamp

 M10 BASE 230V: p.313

 M10 BASE 230V: p.313



SPINOLA

suspended



SPINOLA HALOLED

SPINOLA HALOLED

LUXEON M LED 7,84W
700mA DC
755 lumen
beam 36°
dimnable PWM or CCR

A+

	2700K	3000K
TEXT. WHITE	433647	433648
TEXT. BLACK	433626	433627
TEXT. WHITE + GOLD	433692	433693
BLACK + GOLD	433696	433697
CU ₂₇ + BLACK	433657	433658

GU10 versions: see website

SPINOLA HALOLED M10

SPINOLA HALOLED M10

LUXEON M LED 7,84W
700mA DC
755 lumen
beam 36°
dimnable PWM or CCR

A+

	2700K	3000K
TEXT. WHITE	433747	433748
TEXT. BLACK	433726	433727
TEXT. WHITE + GOLD	433792	433793
BLACK + GOLD	433796	433797
CU ₂₇ + BLACK	433757	433758

M10 BASE 700mA: p.313

GU10 versions: see website

suspended

SPINOLA



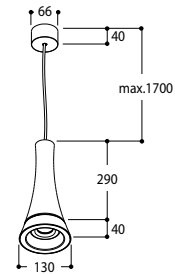
PARIS

design by Peter Vanooteghem

suspended



PARIS



PREVALED 12,7W
230V - AC
1100 lumen
beam 38°
dimmable L, C
CRI 90

A+



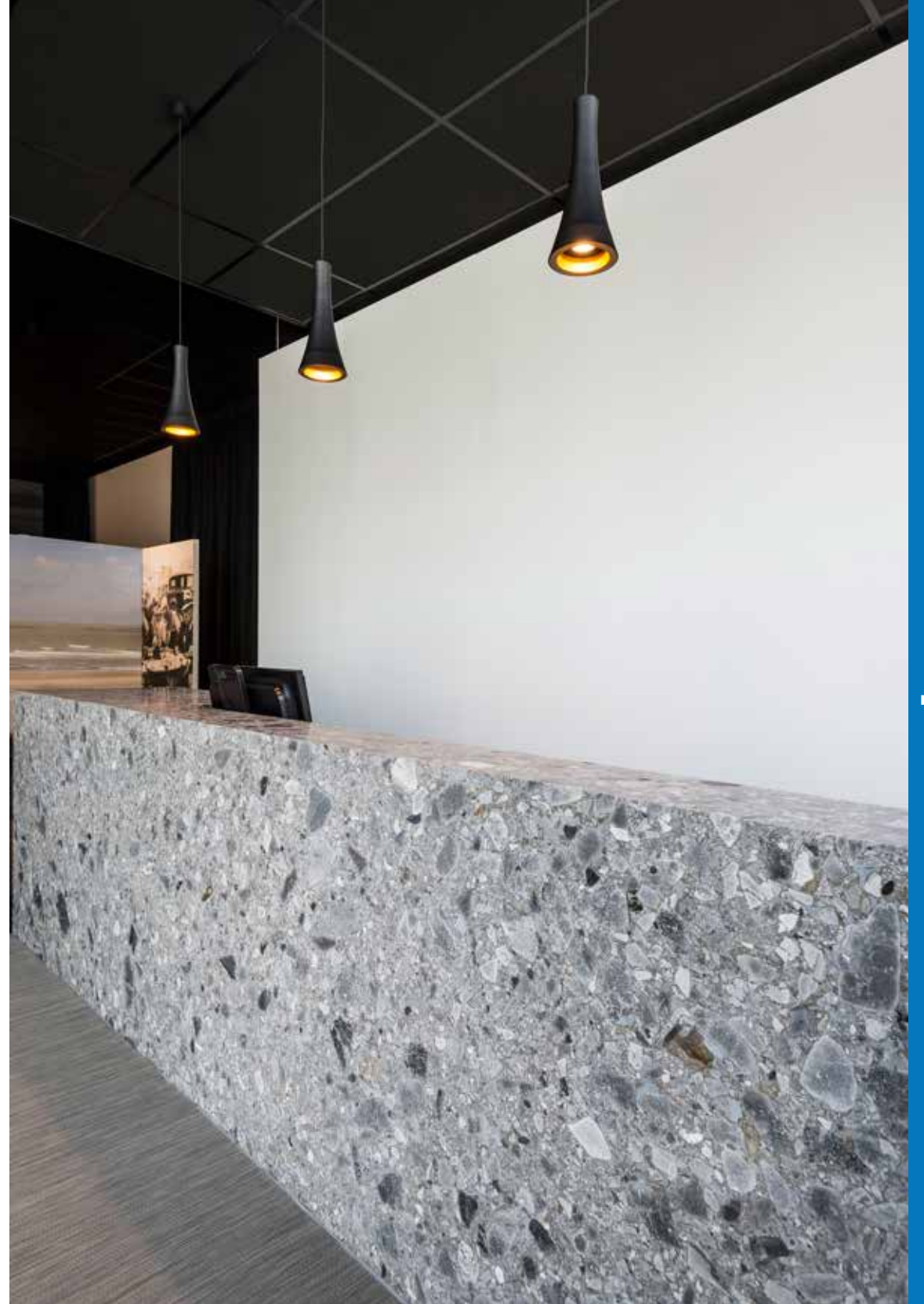
2700K

CHROME + MAINSCORD TRANSPARENT	496021
TEXT. BLACK - MAINSCORD BLACK	496026
TEXT. BLACK - MAINSCORD RED	496036
TEXT. WHITE - MAINSCORD WHITE	496037
TEXT. WHITE - MAINSCORD RED	496047
TEXT. WHITE + CHROME - MAINSCORD TRANSPARENT	496091
BLACK + GOLD - MAINSCORD BLACK	496096
TEXT. BLACK BODY - CU ₂₂ CONE - BLACK FOCUS - MAINSCORD BLACK	496056
CU ₂₂ - TEXT BLACK FOCUS - MAINSCORD BLACK	496057



496096



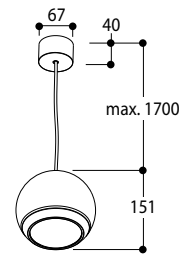


BERRIER

suspended



BERRIER



PREVALED 12,7W
230V - AC
1100 lumen
beam 60°
dimmable L, C
CRI 90

A+



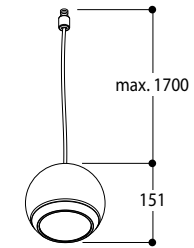
2700K

FULL CU ₂₉	494050
TEXT. BLACK BODY + FRONT CU ₂₉	494056
CU ₂₉ BODY + FRONT TEXT. BLACK	494057
TEXT. WHITE - MAINSCORD WHITE	494001
TEXT. WHITE - MAINSCORD RED	494047
TEXT. BLACK - MAINSCORD RED	494026
TEXT. BLACK + CHROME - MAINSCORD BLACK	494019
TEXT. BLACK - MAINSCORD BLACK	494016
TEXT. RED - MAINSCORD RED	494034
TEXT. WHITE + CHROME - MAINSCORD WHITE	494020
TEXT. BLACK + GOLD - MAINSCORD BLACK	494096
TEXT. WHITE (HOUSING) + TEXT. BLACK*	494094
TEXT. BLACK (HOUSING) + TEXT. WHITE*	494095
GOLD 24K - MAINSCORD BLACK	494013

*Mainscord cable pied de poule

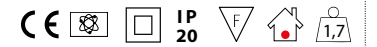


BERRIER M10



PREVALED 12,7W
230V - AC
1100 lumen
beam 60°
dimmable L, C
CRI 90

A+



2700K

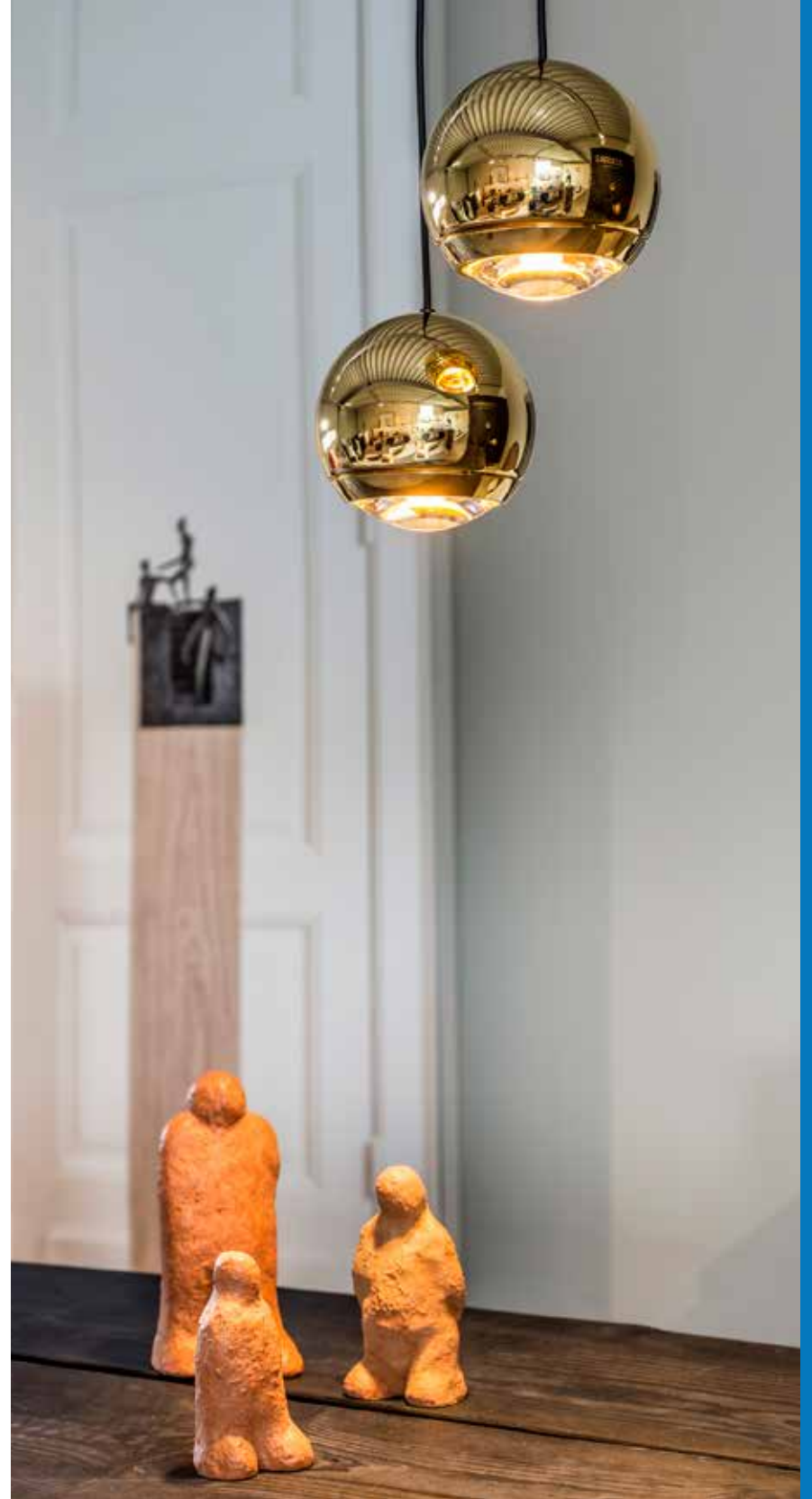
FULL CU ₂₉	494150
TEXT. BLACK BODY + FRONT CU ₂₉	494156
CU ₂₉ BODY + FRONT TEXT. BLACK	494157
TEXT. WHITE - MAINSCORD WHITE	494101
TEXT. WHITE - MAINSCORD RED	494147
TEXT. BLACK - MAINSCORD RED	494126
TEXT. BLACK + CHROME - MAINSCORD BLACK	494119
TEXT. BLACK - MAINSCORD BLACK	494116
TEXT. RED - MAINSCORD RED	494134
TEXT. WHITE + CHROME - MAINSCORD WHITE	494120
TEXT. BLACK + GOLD - MAINSCORD BLACK	494196
TEXT. WHITE (HOUSING) + TEXT. BLACK*	494194
TEXT. BLACK (HOUSING) + TEXT. WHITE*	494195
GOLD 24K - MAINSCORD BLACK	494113

*Mainscord cable pied de poule

⦿ M10 BASE 230V P.313







TELESCOOP design by Sylvain Willenz

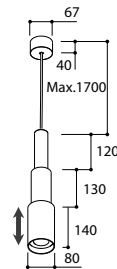
suspended



TELESCOOP SUSPENDED



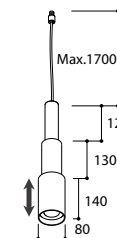
TELESCOOP SUSPENDED M10



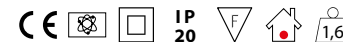
Luxeon M LED 7,84W
230V - AC
Adjustable beam 20° - 48°
755 lumen
Not dimmable



	2700K	3000K
TEXT. WHITE	491547	491557
TEXT. BLACK	491526	491536



Luxeon M LED 7,84W
230V - AC
Adjustable beam 20° - 48°
755 lumen
Not dimmable



	2700K	3000K
TEXT. WHITE	491647	491657
TEXT. BLACK	491626	491636

- CLUSTERPLATE 7 - TEXT. WHITE 492977
- CLUSTERPLATE 7 - TEXT. BLACK 492976
- CLUSTERPLATE 11 - TEXT. WHITE 492917
- CLUSTERPLATE 11 - TEXT. BLACK 492916
- CLUSTERPLATE 15 - TEXT. WHITE 492957
- CLUSTERPLATE 15 - TEXT. BLACK 492956



see p. 315

suspended

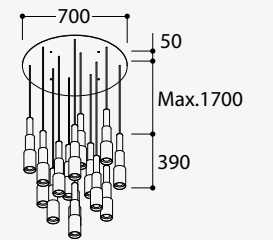
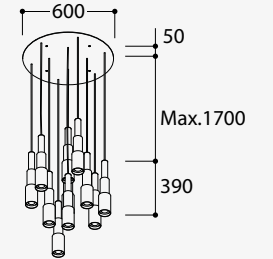
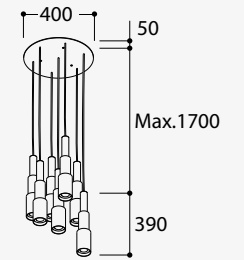
design by Sylvain Willenz **TELESCOOP**

TELESCOOP ZOOM IN

TELESCOOP ZOOM OUT



Combine multiple TELESCOOP as a cluster.



NELSON design by Sylvain Willenz

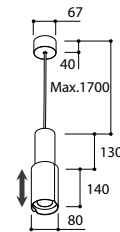
suspended



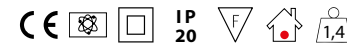
⊕ NELSON SUSPENDED



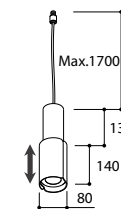
⊕ NELSON SUSPENDED M10



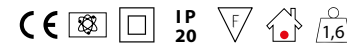
Luxeon M LED 7,84W
230V - AC
Adjustable beam 20° - 48°
755 lumen
Not dimmable



	2700K	3000K
TEXT. WHITE + BRASS	491157	491167
TEXT. BLACK + BRASS	491156	491166
TEXT. BLACK + CU ₂₉	491150	491160



Luxeon M LED 7,84W
230V - AC
Adjustable beam 20° - 48°
755 lumen
Not dimmable

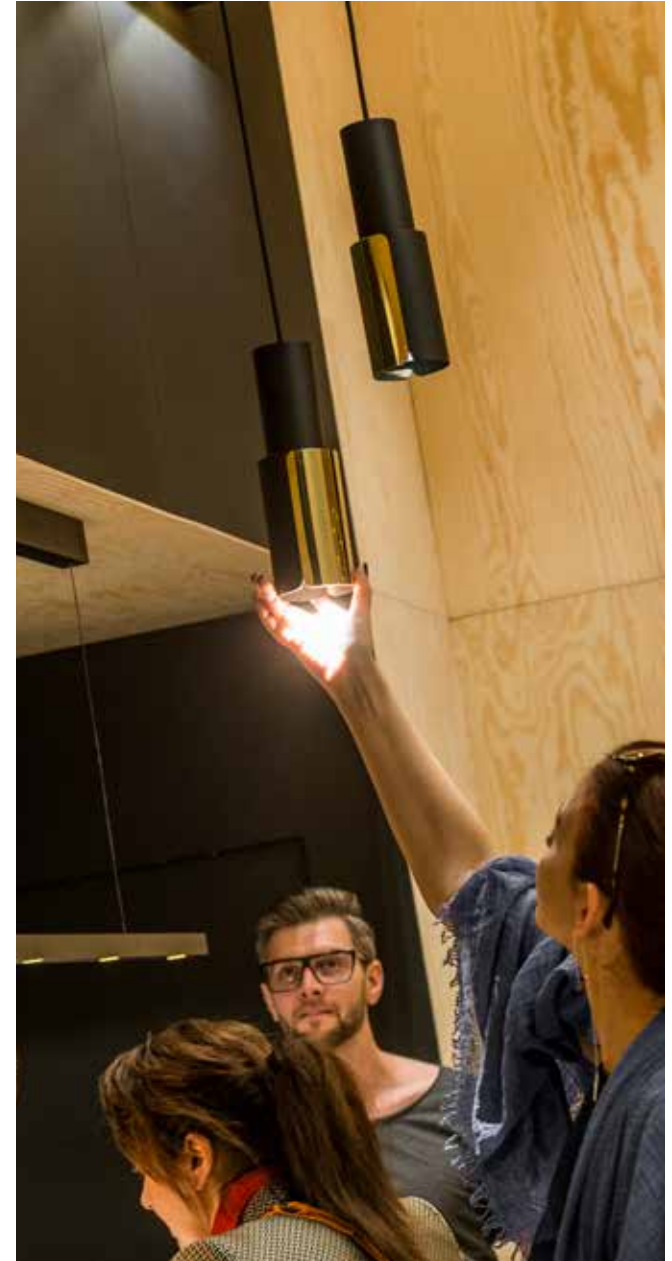


	2700K	3000K
TEXT. WHITE + BRASS	491257	491267
TEXT. BLACK + BRASS	491256	491266
TEXT. BLACK + CU ₂₉	491250	491260
⊕ CLUSTERPLATE 7 - TEXT. WHITE	492977	
⊕ CLUSTERPLATE 7 - TEXT. BLACK	492976	
⊕ CLUSTERPLATE 11 - TEXT. WHITE	492917	
⊕ CLUSTERPLATE 11 - TEXT. BLACK	492916	
⊕ CLUSTERPLATE 15 - TEXT. WHITE	492957	
⊕ CLUSTERPLATE 15 - TEXT. BLACK	492956	

see p. 315



design by Sylvain Willenz **NELSON**

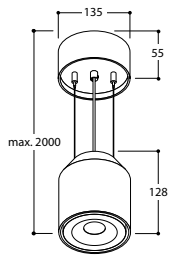


THOR

suspended

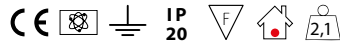


THOR BEAUFORT²



CITIZEN 18W
230V - AC
2000 Lumen
↻ 359° ↕ 30°

A++



	2700K		3000K	
	35°	70°	35°	70°
TEXT. WHITE	102547	102527	102577	102537
TEXT. BLACK	102546	102526	102576	102536

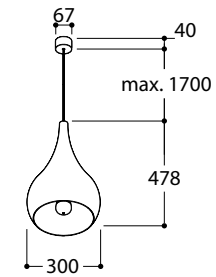


suspended

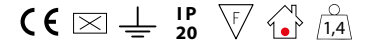
DIMITRI & KAZAN



 DIMITRI



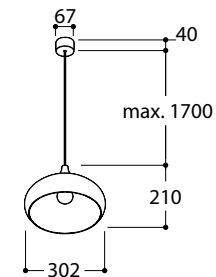
A60 - 40W
E27
230V - AC
dimnable see bulb



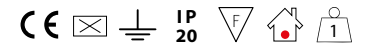
BLACK + GOLD

453596

 KAZAN



A60 - 40W
E27
230V - AC
dimnable see bulb





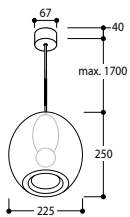
BLACK + GOLD

453696

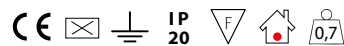
OLIJF



 OLIJF E27 



A60 - max. 40W
E27
230V - AC
dimnable: see bulb



CLEAR GLASS + CHROME PIT	480100
GREY GLASS + CHROME PIT	480104
GREEN GLASS + CHROME PIT	480107
GREY GLASS + GOLD 24K PIT	480113





Глобъл Хуызентру

WESTVIEW

CRAS

Rec

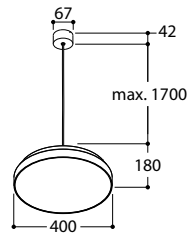
LUZIEN LED

suspended



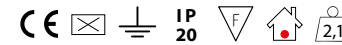
453147 - LUZIEN LED TEXT. WHITE

LUZIEN LED - Mains dim



LED ARRAY 21,7W
230V - AC
dimnable L, C
2600 Lumen

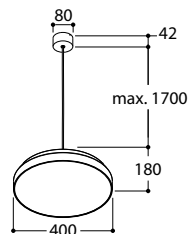
A++



3000K

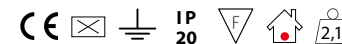
TEXT. WHITE	453147
TEXT. BLACK	453126
TEXT. RED	453134
TEXT. YELLOW	453135

LUZIEN LED - Dali / touch dim



LED ARRAY 21,7W
230V - AC
Dali/touch dimmable
2600 Lumen

A++



3000K

TEXT. WHITE	453247
TEXT. BLACK	453226
TEXT. RED	453234
TEXT. YELLOW	453235



suspended

LUZIEN LED dB



LUZIEN LED dB - Mains dim

LED ARRAY 21,7W
230V - AC
dimnable L, C
2600 Lumen

A++

CE, IP 20, F, 2.1, 3000K

FELT/OAK + mainscord WHITE	453170
FELT/OAK + mainscord BLACK	453176



LUZIEN LED dB - Dali / touch dim

LED ARRAY 21,7W
230V - AC
Dali/touch dimmable
2600 Lumen

A++

CE, IP 20, F, 2.1, 3000K

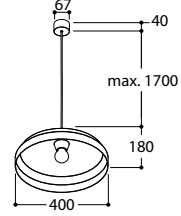
FELT/OAK + mainscord WHITE	453270
FELT/OAK + mainscord BLACK	453276



LUZIEN E27

suspended

LUZIEN E27



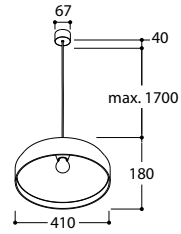
A60 40W
E27
230V - AC
dimmable: see bulb

CE, IP 20, F, 1,1

TEXT. WHITE	453047
TEXT. BLACK	453026
TEXT. RED	453034
TEXT. YELLOW	453035
BLACK+GOLD	453096
CU ₂₇	453050



LUZIEN E27 dB



A60 max. 40W
E27
230V - AC
dimmable: see bulb

CE, IP 20, F, 1,1

FELT/OAK (WHITE INSIDE) + mainscord WHITE	453070
FELT/OAK (WHITE INSIDE) + mainscord BLACK	453076
FELT/OAK (CU ₂₇ INSIDE) + mainscord WHITE	453075
FELT/OAK (CU ₂₇ INSIDE) + mainscord BLACK	453077



focus gives energy
to all things
with a circular arrow graphic

Hospitality
is not a
department
it's
lifestyle

ACTNCE

believe in
miracles

THE
DREAM





suspended

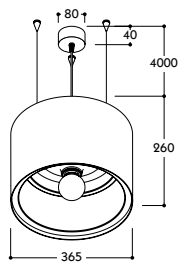


ROBAN E27

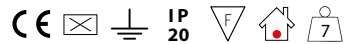
suspended



ROBAN SUSPENSION

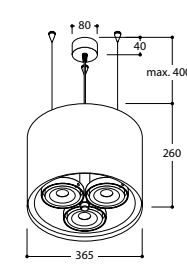


A60 max. 100W
E27
230V - AC
dimnable: see bulb



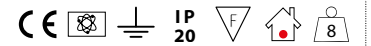
TEXT. WHITE	104518
BLACK + GOLD	104526
TEXT. WHITE + GOLD	104527

ROBAN SUSPENSION BEAUFORT²



CITIZEN (x3) 18W
230V - AC
3 x 2000 lm
↻ 155° ↻ 180°

A++



	2700K			3000K		
	24°	35°	70°	24°	35°	70°
TEXT. WHITE	104707	104747	104727	104717	104777	104737
TEXT. BLACK	104706	104746	104726	104716	104776	104736
	4000K					
	24°	35°	70°			
TEXT. WHITE	-	104757	104767			
TEXT. BLACK	-	104756	104766			



suspended

ROBAN E27



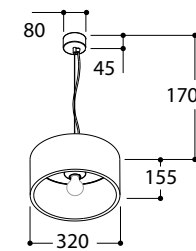


suspended

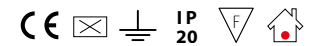
ROBAN OAK



 **ROBAN OAK E27**



A60 max. 40W
E27
230V - AC
dimmable: see bulb



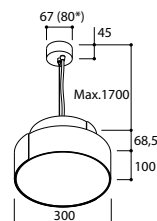
OAK + TEXT. WHITE + MAINSCORD WHITE	481747	⚖ 3,9 kg
OAK + CU ₂₀ + MAINSCORD BLACK	481750	⚖ 4,2 kg
OAK + BRASS + MAINSCORD WHITE	481715	⚖ 4,2 kg

ROLLO design by Sylvain Willenz

suspended

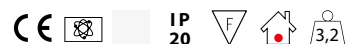


ROLLO SUSPENDED 300



LED ARRAY 13,8W
230V - AC
1880 Lumen
Opal diffuser
Indirect backlight

A++



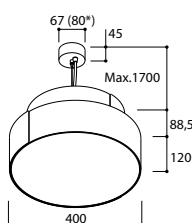
3000K

Dimmable L, C [*]Touch/Dali Dimmable

TEXT. WHITE + BRASS	492157	492167
TEXT. BLACK + BRASS	492156	492166
TEXT. BLACK + CU ₂₉	492150	492160



ROLLO SUSPENDED 400



LED ARRAY 18,3W
230V - AC
2740 Lumen
Opal diffuser
Indirect backlight

A++



3000K

Dimmable L, C [*]Touch/Dali Dimmable

TEXT. WHITE + BRASS	492357	492367
TEXT. BLACK + BRASS	492356	492366
TEXT. BLACK + CU ₂₉	492350	492360

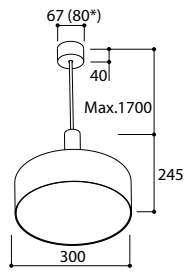


suspended

design by Sylvain Willenz **HUBBLE**









 **HUBBLE SUSPENDED 300**



LED ARRAY 13,8W
230V - AC
1880 Lumen
Opal diffuser
Indirect backlight

A++

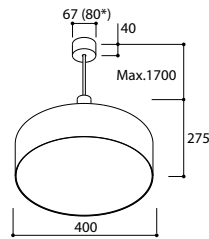
3000K

Dimmable L, C	[*]Touch/Dali Dimmable
---------------	------------------------

TEXT. WHITE	491947	491957
TEXT. BLACK	491926	491936



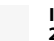


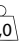


 **HUBBLE SUSPENDED 400**



LED ARRAY 18,3W
230V - AC
2740 Lumen
Opal diffuser
Indirect backlight

A++

3000K

Dimmable L, C	[*]Touch/Dali Dimmable
---------------	------------------------

TEXT. WHITE	491967	491977
TEXT. BLACK	491946	491956

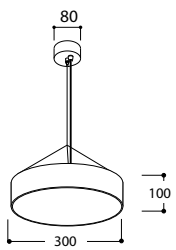


FABIAN

suspended


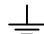





 FABIAN 300 

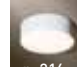


LED ARRAY 13,8 W
230V - AC
CRI 82

A++

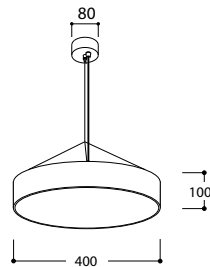
CE   IP 20    1,8

	3000K		4000K	
	mains dim	dali/touch	mains dim	dali/touch
TEXT. WHITE	620347	620357	620367	620377
TEXT. BLACK	620346	620356	620366	620376
	1880 lm		2050 lm	

 p. 216


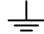





 FABIAN 400 

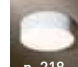


LED ARRAY 18,3 W
230V - AC
CRI 82

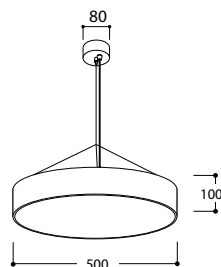
A++

CE   IP 20    2,2

	3000K		4000K	
	mains dim	dali/touch	mains dim	dali/touch
TEXT. WHITE	621347	621357	621367	621377
TEXT. BLACK	621346	621356	621366	621376
	2740 lm		2990 lm	


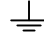



 p. 218

 FABIAN 500 

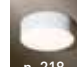


LED ARRAY 35,2 W
230V - AC
CRI 82

A++

CE   IP 20    2,5

	3000K		4000K	
	non dim	dali/touch	non dim	dali/touch
TEXT. WHITE	630347	630357	630367	630377
TEXT. BLACK	630346	630356	630366	630376
	5200 lm		5200 lm	

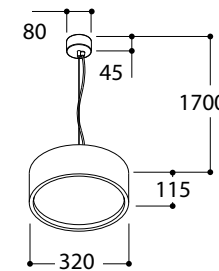
 p. 218



FABIAN OAK



FABIAN OAK



LED ARRAY 13,8 W
230V - AC
CRI 82
1880 lm

A++



3000K	
mains dim	dali/touch
481100	481150

OAK + MAINSCORD WHITE



p. 220

TIMBER



TIMBER

A++

LED SMD ARRAY 17,6 W
230V - AC
2600lm

CE, RoHS, IP 20, F, 5,7

	2700K		3000K	
	not dimm	dali dimm	not dimm	dali dimm
OAK + MAINSCORD WHITE	481111	481161	481110	481160
BLACK OAK + MAINSCORD BL.	481117	481167	481116	481166

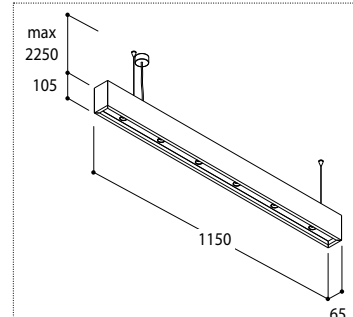
Zhaga

p. 221

LEYE


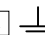


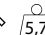


LEYE



A++

LUXEON M LED 6x 3,82W
230V - AC
6x 400 LUMEN
dimmable L,C
beam 36°

CE   IP 20   

2700K

BLACK OAK + GOLD ANO

481196



ARCHIMEDES



ARCHIMEDES

PREVALED 17,6 W
230V - AC
2600lm

A++

CE, RoHS, IP 20, F, 2,6

	3000K		4000K	
	not dimm	dali dimm	not dimm	dali dimm
TEXTURED WHITE	311427	311527	311437	311537
TEXTURED BLACK	311426	311526	311436	311536

Zhaga





WODAN BEAUFORT²

suspended



WODAN 2 BEAUFORT²

CITIZEN (x2) 13W
230V - AC
2 x 1500 lm
↻ 155° ↕ 180°

A++

CE, IP 20, F, 3.9

	2700K		3000K	
	35°	70°	35°	70°
TEXT. WHITE	421285	421266	421276	421256
TEXT. BLACK	421287	421267	421277	421257
TEXT. WHITE + TEXT. BLACK	421282	421264	421274	421254

BEAUFORT²



WODAN 4 BEAUFORT²

CITIZEN (x4) 13W
230V - AC
4 x 1500 lm
↻ 155° ↕ 180°

A++

CE, IP 20, F, 7.2

	2700K		3000K	
	35°	70°	35°	70°
TEXT. WHITE	421585	421566	421576	421556
TEXT. BLACK	421587	421567	421577	421557
TEXT. WHITE + TEXT. BLACK	421582	421564	421574	421554

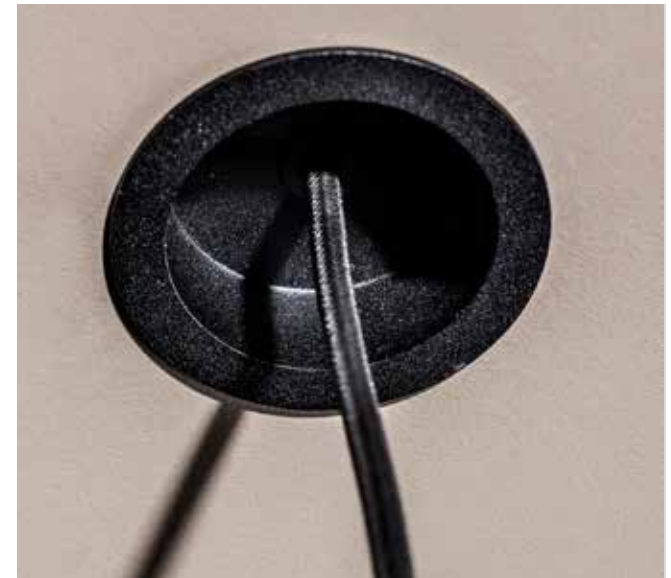
BEAUFORT²

suspended

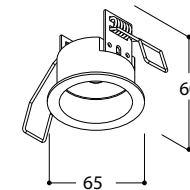


KOSMOS BASE M10

suspended



M10 BASE KOSMOS

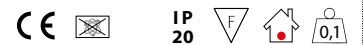


56 mm
Installation height 60 mm

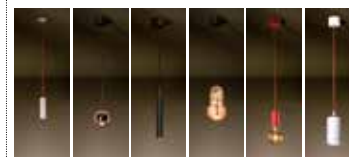
350mA DC / 500mA DC / 700mA DC / ...
... / 230V - AC

Max. luminaires weight: 0,5kg

Can be used as access point for converter!



TEXT. BLACK	408626
TEXT. WHITE	408647
TEXT. RED	408634



Nobel Berrier Nobel Kalebas Nuts Spinola
Junior Pi

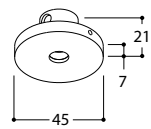
[CONVERTER p.554](#) [CONVERTER p.556](#) [CONVERTER p.560](#)

suspended

M10 BASE

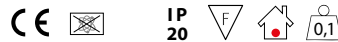


M10 BASE RECESSED SMALL

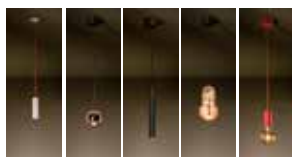


350mA DC / 500mA DC / 700mA DC / ...
... / 230V - AC

⌀ 20 mm
Installation height 50 mm



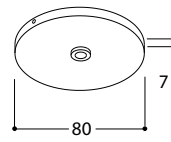
TEXT. BLACK	408826
TEXT. WHITE	408847
TEXT. RED	408834
CHROME	408820



Nobel Berrier Junior Nobel Pi Kalebas Nuts

CONVERTER p.554 CONVERTER p.556 CONVERTER p.560

M10 BASE RECESSED LARGE



350mA DC / 500mA DC / 700mA DC / ...
... / 230V - AC

⌀ 42 mm
Installation height 50 mm



Can be used as access point for converter!

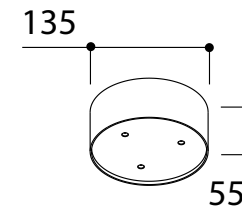
TEXT. BLACK	408926
TEXT. WHITE	408947
TEXT. RED	408934
CHROME	408920



Nobel Berrier Junior Nobel Pi Kalebas Nuts Spinola Berrier Nelson Telescope

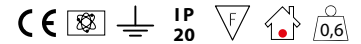
CONVERTER p.554 CONVERTER p.556 CONVERTER p.560

M10 BASE 3 LARGE 350mA CI

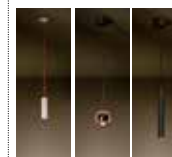


max. 18W
230V - AC
Output 350mA DC

For suspension only!



TEXT. BLACK	408726
TEXT. WHITE	408747

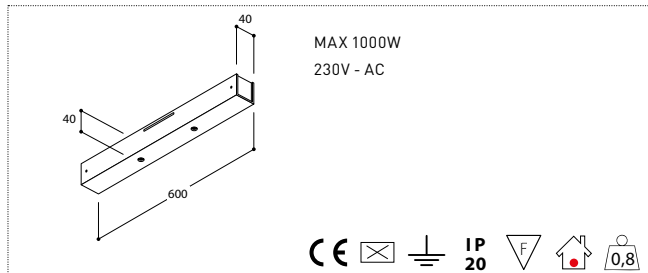


Nobel Berrier Junior Nobel Pi

M10 BASE 230V

suspended

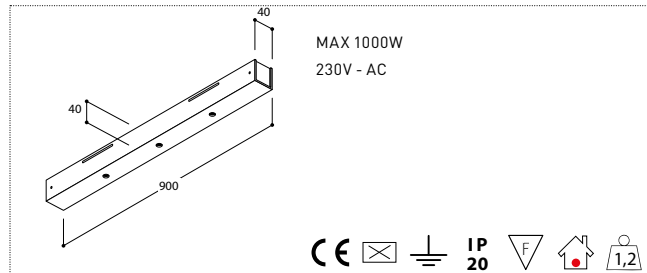
M10 BASE DUO 230V 600



TEXT. WHITE **375206**
TEXT. BLACK **375236**



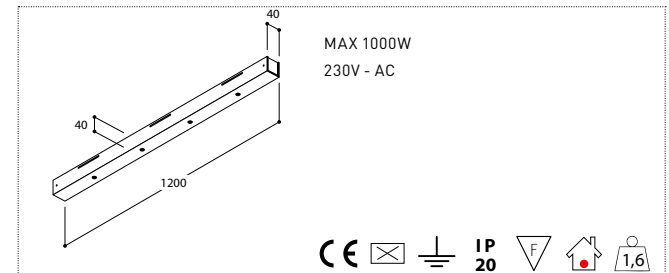
M10 BASE TRIO 230V 900



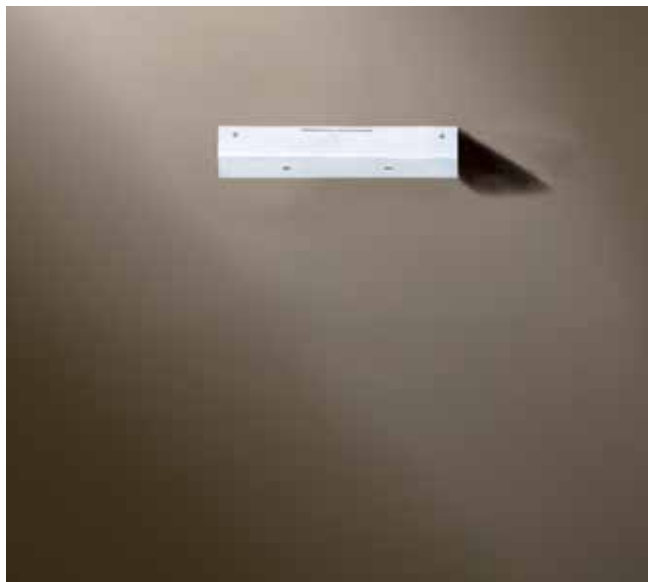
TEXT. WHITE **375309**
TEXT. BLACK **375336**



M10 BASE QUATTRO 230V 1200



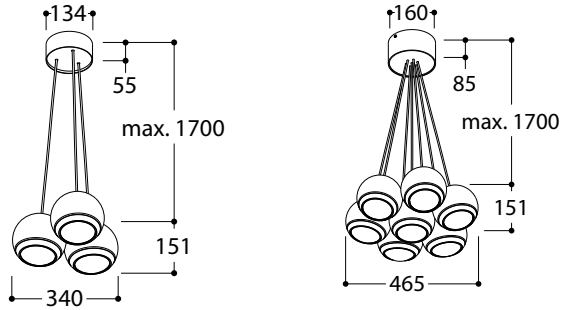
TEXT. WHITE **375412**
TEXT. BLACK **375436**



*Olijf must be positioned on several heights to avoid glass contact

suspended

M10 BASE ROUND 230V



M10 BASE ROUND 3 230V

MAX 1000W
230V - AC

CE, IP 20, F, 0.8

TEXT. WHITE	411937
TEXT. BLACK	411926

Kalebas Nuts Winston Spinola Berrier Nelson Tele-scoop Olijf*

M10 BASE ROUND 7 230V

MAX 1000W
230V - AC

CE, IP 20, F, 1.2

TEXT. WHITE	411977
TEXT. BLACK	411976

Kalebas Nuts Winston Spinola Berrier Nelson Tele-scoop Olijf*

M10 CLUSTERPLATE 7 230V

MAX 1000W
230V - AC

CE, IP 20, F, 1.2

CLUSTERPLATE 7 - TEXT. WHITE	492977
CLUSTERPLATE 7 - TEXT. BLACK	492976

Kalebas Nuts Winston Spinola Berrier Nelson Tele-scoop Olijf*

M10 CLUSTERPLATE 11 230V

MAX 1000W
230V - AC

CE, IP 20, F, 2.5

CLUSTERPLATE 11 - TEXT. WHITE	492917
CLUSTERPLATE 11 - TEXT. BLACK	492916

Kalebas Nuts Winston Spinola Berrier Nelson Tele-scoop Olijf*

M10 CLUSTERPLATE 15 230V

MAX 1000W
230V - AC

CE, IP 20, F, 3.2

CLUSTERPLATE 15 - TEXT. WHITE	492957
CLUSTERPLATE 15 - TEXT. BLACK	492956

Kalebas Nuts Winston Spinola Berrier Nelson Tele-scoop Olijf*

*Olijf must be positioned on several heights to avoid glass contact

stand alone

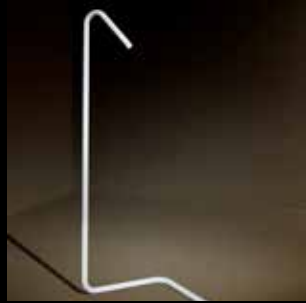
stand alone



DADO 325



ROSEAU 318



SNAKE 320



WODAN 2 BEAUFORT² 324

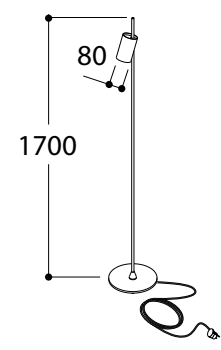
ROSEAU FLOOR

design by Michel de Nyn

stand alone



ROSEAU FLOOR



LUXEON M - 3,82W
 230V - AC
 400 Lumen
 casambi controlled
 beam 36°
 ↓ 35°

A++

	2700K	3000K
TEXT. WHITE	416447	416457
TEXT. BLACK	416426	416436

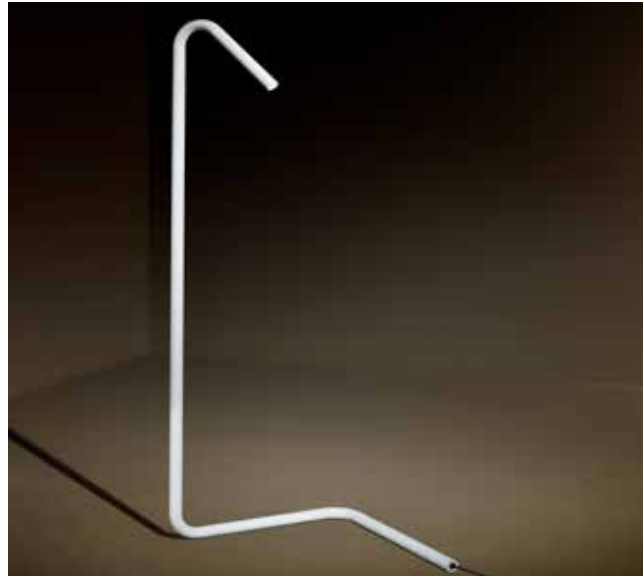
CASAMBI



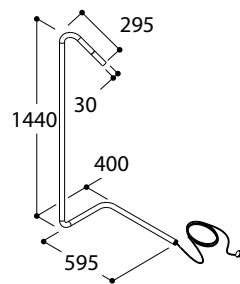
SNAKE

design by Bruno Erpicum

stand alone



SNAKE



LUXEON M 3,82W
230V - AC
beam 36°
400 lumen

A++



	2700K	3000K
TEXT. WHITE	485047	485147
TEXT. BLACK	485026	485126
24K GOLD	485013	485113
CHROME	485021	485121
CU29	485050	485150



stand alone



stand alone

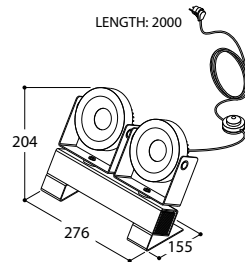


WODAN BEAUFORT²

stand alone

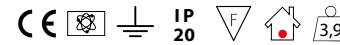


WODAN 2 BEAUFORT²



CITIZEN (x2) 12,3W
230V - AC
2x 1500 lumen
↔ 155° ↕ 180°

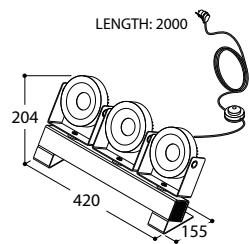
A++



	2700K		3000K	
	35°	70°	35°	70°
TEXT. WHITE	423287	423267	423277	423257
TEXT. BLACK	423285	423266	423276	423256
TEXT. WHITE + TEXT. BLACK	423282	423264	423274	423254



WODAN 3 BEAUFORT²



CITIZEN (x3) 12,3W
230V - AC
3x 1500 lumen
↔ 155° ↕ 180°

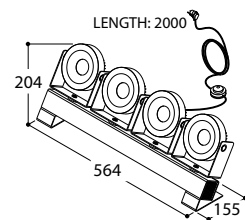
A++



	2700K		3000K	
	35°	70°	35°	70°
TEXT. WHITE	423387	423367	423377	423357
TEXT. BLACK	423385	423366	423376	423356
TEXT. WHITE + TEXT. BLACK	423382	423364	423374	423354

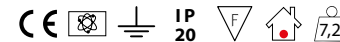


WODAN 4 BEAUFORT²



CITIZEN (x4) 12,3W
230V - AC
4x 1500 lumen
↔ 155° ↕ 180°

A++



	2700K		3000K	
	35°	70°	35°	70°
TEXT. WHITE	423487	423467	423477	423457
TEXT. BLACK	423485	423466	423476	423456
TEXT. WHITE + TEXT. BLACK	423482	423464	423474	423454

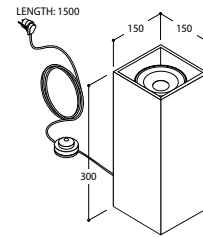


stand alone

DADO

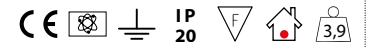


DADO BEAUFORT²



CITIZEN 18W
230V - AC
2000 lumen
30°

A++

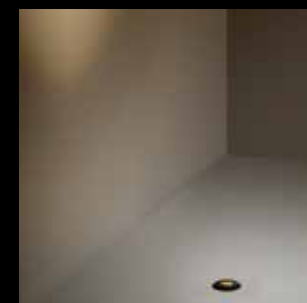


	2700K	3000K	4000K
	35°	35°	35°
TEXT. WHITE	370947	370977	370957
TEXT. BLACK	370946	370976	370956



inground uplight

	MATERIAL	TREATMENT
STAINLESS STEEL	MARINE GRADE 316	Electrolytically Polished
SILVER ANO	AlMgSi 0,5	Technical Anodised



350mA DC

MICRO OBO/UBO FOCUS
350mA 330

inground uplight

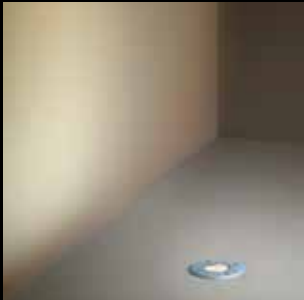
24V DC



MINI OBO/UBO ROUND LED OPAL
24V 336



MINI OBO/UBO SQUARE LED OPAL
24V 336



MINI OBO/UBO ROUND LED SPOT
24V 334



MINI OBO/UBO SQUARE LED SPOT
24V 334

230V AC



MINI OBO/UBO ROUND LED OPAL
230V 340



MINI OBO/UBO SQUARE LED OPAL
230V 340



MINI OBO/UBO ROUND LED SPOT
230V 338



MINI OBO/UBO SQUARE LED SPOT
230V 338



MICRO OBO/UBO ROUND
350mA 330



MINI OBO/UBO ROUND LED OPAL
350mA 344



MINI OBO/UBO SQUARE LED OPAL
350mA 344



MINI OBO/UBO ROUND LED SPOT
350mA 342



MINI OBO/UBO SQUARE LED SPOT
350mA 342



MINI OBO/UBO XICATO
350mA 347





MICRO OBO/UBO ROUND

inground uplight



MICRO OBO ROUND

LUXEON M LED 3,82W
350mA DC
CLEAR GLASS
400 Lumen
beam 36°

A++

CE, RoHS, Energy, IP 67, F, Home, 0,2

	2700K	3000K
STAINLESS STEEL	362621	362670
SILVER ANO	362623	362672

FLOORTUBE **369650**

CONVERTER p.554

MICRO UBO ROUND

LUXEON M LED 3,82W
350mA DC
CLEAR GLASS
400 Lumen
beam 36°

A++

CE, RoHS, Energy, IP 67, F, Home, 0,5

	2700K	3000K
STAINLESS STEEL	362641	362660
SILVER ANO	362643	362662

FLOORTUBE **369651**

CONVERTER p.554



MICRO OBO FOCUS

LUXEON M 3,8W
350mA DC
CLEAR GLASS
beam 36°
400 Lumen

A++

CE, RoHS, Energy, IP 67, F, Home, 0,5

	2700K	3000K
STAINLESS STEEL + BLACK FOCUS	362625	362675
SILVER ANO + BLACK FOCUS	362627	362677
BLACK ANO + GOLD FOCUS	362628	-
BLACK ANO + BLACK FOCUS	362629	362678

FLOORTUBE **369650**

CONVERTER p.554

MICRO UBO FOCUS

LUXEON M 3,8W
350mA DC
CLEAR GLASS
beam 36°
400 Lumen

A++

CE, RoHS, Energy, IP 67, F, Home, 0,5

	2700K	3000K
STAINLESS STEEL + BLACK FOCUS	362645	362665
SILVER ANO + BLACK FOCUS	362647	362667
BLACK ANO + GOLD FOCUS	362648	-
BLACK ANO + BLACK FOCUS	362649	362668

FLOORTUBE **369651**

CONVERTER p.554

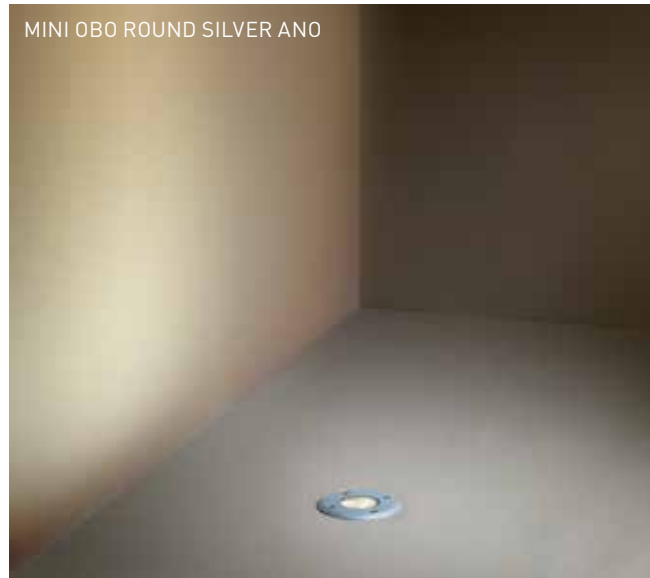






MINI OBO/UBO SPOT 24V

inground uplight



MINI OBO ROUND SILVER ANO

MINI OBO ROUND 24V

PHOBOS LED 3 x 1W
24V DC
CLEAR GLASS
300 Lumen

A

CE, RoHS, IP 67, F, Home, 0,8

	2700K	3000K
	36°	
STAINLESS STEEL	369840	363020
SILVER ANO	369842	363022

FLOORTUBE **366318** p.348
 FLOORBOX **366319** p.348

CONVERTER p.550

MINI UBO ROUND 24V

PHOBOS LED 3 x 1W
24V DC
CLEAR GLASS
300 Lumen

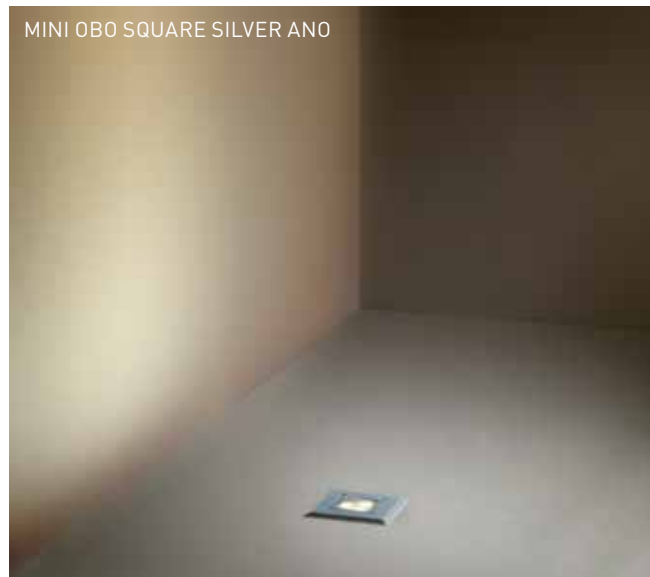
A

CE, RoHS, IP 67, F, Home, 0,8

	2700K	3000K
	36°	
STAINLESS STEEL	369860	363120
SILVER ANO	369862	363122

FLOORTUBE **366308** p.348
 FLOORBOX **366309** p.348

CONVERTER p.550



MINI OBO SQUARE SILVER ANO

MINI OBO SQUARE 24V

PHOBOS LED 3 x 1W
24V DC
CLEAR GLASS
300 Lumen

A

CE, RoHS, IP 67, F, Home, 0,8

	2700K	3000K
	36°	
STAINLESS STEEL	369850	363220
SILVER ANO	369852	363222

FLOORTUBE **366318** p.348
 FLOORBOX **366319** p.348

CONVERTER p.550

MINI UBO SQUARE 24V

PHOBOS LED 3 x 1W
24V DC
CLEAR GLASS
300 Lumen

A

CE, RoHS, IP 67, F, Home, 0,8

	2700K	3000K
	36°	
STAINLESS STEEL	369870	363320
SILVER ANO	369872	363322

FLOORTUBE **366408** p.348
 FLOORBOX **366409** p.348

CONVERTER p.550

inground uplight

MINI OBO/UBO ROUND



MINI OBO/UBO OPAL 24V

inground uplight



MINI OBO ROUND SILVER ANO

MINI OBO ROUND 24V

PHOBOS LED 3 x 1W
24V DC
OPAL GLASS
300 Lumen

A

CE, RoHS, Energy Label, IP 67, Flicker-free (F), Home use, 0,8

	2700K	3000K
	180°	
STAINLESS STEEL	369740	369741
SILVER ANO	369742	369743

FLOORTUBE **366318** p.348
 FLOORBOX **366319** p.348

CONVERTER p.554

MINI UBO ROUND 24V

PHOBOS LED 3 x 1W
24V DC
OPAL GLASS
300 Lumen

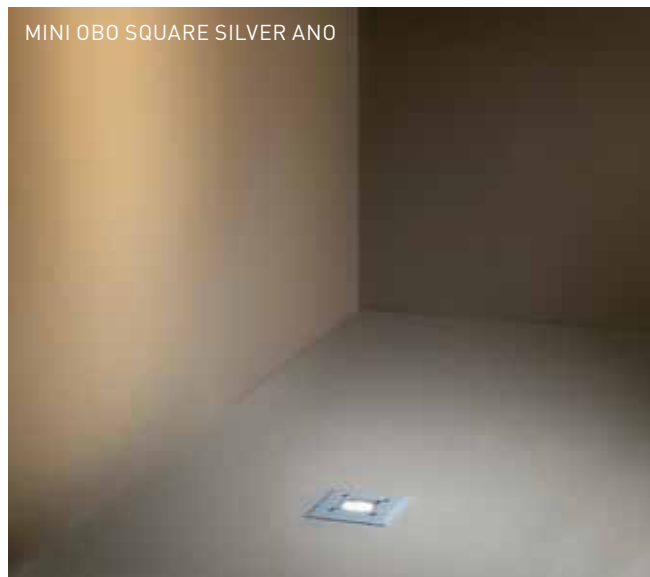
A

CE, RoHS, Energy Label, IP 67, Flicker-free (F), Home use, 0,8

	2700K	3000K
	180°	
STAINLESS STEEL	369760	369761
SILVER ANO	369762	369763

FLOORTUBE **366308** p.348
 FLOORBOX **366309** p.348

CONVERTER p.554



MINI OBO SQUARE SILVER ANO

MINI OBO SQUARE 24V

PHOBOS LED 3 x 1W
24V DC
OPAL GLASS
300 Lumen

A

CE, RoHS, Energy Label, IP 67, Flicker-free (F), Home use, 0,8

	2700K	3000K
	180°	
STAINLESS STEEL	369750	369751
SILVER ANO	369752	369753

FLOORTUBE **366318** p.348
 FLOORBOX **366319** p.348

CONVERTER p.554

MINI UBO SQUARE 24V

PHOBOS LED 3 x 1W
24V DC
OPAL GLASS
300 Lumen

A

CE, RoHS, Energy Label, IP 67, Flicker-free (F), Home use, 0,8

	2700K	3000K
	180°	
STAINLESS STEEL	369770	369771
SILVER ANO	369772	369773

FLOORTUBE **366408** p.348
 FLOORBOX **366409** p.348

CONVERTER p.554

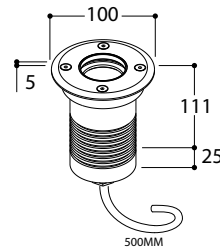


MINI OBO/UBO SPOT 230V

inground uplight

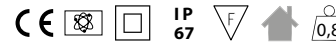


MINI OBO ROUND 230V



LUXEON M LED 3,82W
230V - AC
CLEAR GLASS
400 Lumen

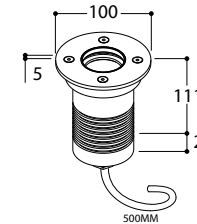
A++



	2700K			3000K		
	9°	38°	60°	9°	38°	60°
STAINLESS STEEL	493300	493400	493500	493340	493440	493540
SILVER ANO	493302	493402	493502	493342	493442	493542

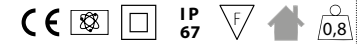
- FLOORTUBE **493358** p.348
- FLOORBOX **493359** p.348

MINI UBO ROUND 230V



LUXEON M LED 3,82W
230V - AC
CLEAR GLASS
400 Lumen

A++

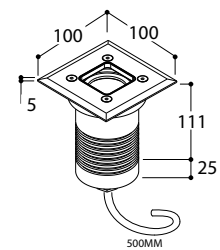


	2700K			3000K		
	9°	38°	60°	9°	38°	60°
STAINLESS STEEL	493320	493420	493520	493360	493460	493560
SILVER ANO	493322	493422	493522	493362	493462	493562

- FLOORTUBE **493348** p.348
- FLOORBOX **493349** p.348

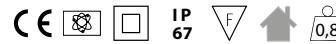


MINI OBO SQUARE 230V



LUXEON M LED 3,82W
230V - AC
CLEAR GLASS
400 Lumen

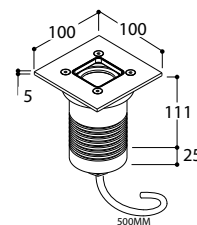
A++



	2700K			3000K		
	9°	38°	60°	9°	38°	60°
STAINLESS STEEL	493310	493410	493510	493350	493450	493550
SILVER ANO	493312	493412	493512	493352	493452	493552

- FLOORTUBE **493358** p.348
- FLOORBOX **493359** p.348

MINI UBO SQUARE 230V



LUXEON M LED 3,82W
230V - AC
CLEAR GLASS
400 Lumen

A++



	2700K			3000K		
	9°	38°	60°	9°	38°	60°
STAINLESS STEEL	493330	493430	493530	493370	493470	493570
SILVER ANO	493332	493432	493532	493372	493472	493572

- FLOORTUBE **493448** p.348
- FLOORBOX **493449** p.348

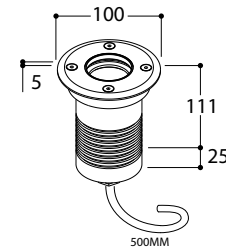


MINI OBO/UBO OPAL 230V

inground uplight

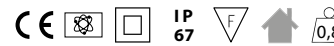


MINI OBO ROUND 230V



LUXEON M LED 3,82W
230V - AC
OPAL GLASS
400 Lumen

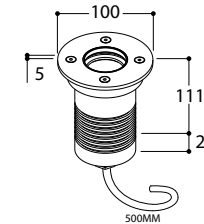
A++



	2700K	3000K
STAINLESS STEEL	493200	493240
SILVER ANO	493202	493242

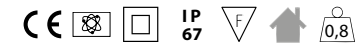
- ⊙ FLOORTUBE **493358** p.348
- ⊙ FLOORBOX **493359** p.348

MINI UBO ROUND 230V



LUXEON M LED 3,82W
230V - AC
OPAL GLASS
400 Lumen

A++

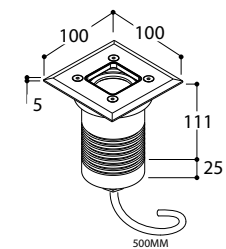


	2700K	3000K
STAINLESS STEEL	493220	493260
SILVER ANO	493222	493262

- ⊙ FLOORTUBE **493348** p.348
- ⊙ FLOORBOX **493349** p.348

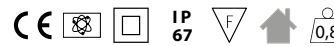


MINI OBO SQUARE 230V



LUXEON M LED 3,82W
230V - AC
OPAL GLASS
400 Lumen

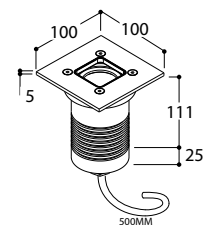
A++



	2700K	3000K
STAINLESS STEEL	493210	493250
SILVER ANO	493212	493252

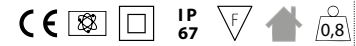
- ⊙ FLOORTUBE **493358** p.348
- ⊙ FLOORBOX **493359** p.348

MINI UBO SQUARE 230V



LUXEON M LED 3,82W
230V - AC
OPAL GLASS
400 Lumen

A++



	2700K	3000K
STAINLESS STEEL	493230	493270
SILVER ANO	493232	493272

- ⊙ FLOORTUBE **493448** p.348
- ⊙ FLOORBOX **493449** p.348

inground uplight

MINI OBO/UBO OPAL 230V



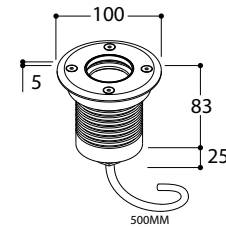
MINI OBO/UBO SPOT 350mA

inground uplight



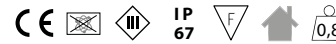
MINI OBO ROUND SILVER ANO

MINI OBO ROUND 350mA



LUXEON M LED 3,82W
350mA DC
CLEAR GLASS
400 Lumen
dimnable PWM or CCR

A++

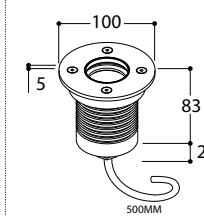


	2700K			3000K		
	9°	38°	60°	9°	38°	60°
STAINLESS STEEL	369300	369400	369500	369340	369440	369540
SILVER ANO	369302	369402	369502	369342	369442	369542

- FLOORTUBE **366358** p.348
- FLOORBOX **366359** p.348

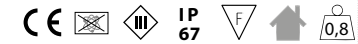
CONVERTER p.554

MINI UBO ROUND 350mA



LUXEON M LED 3,82W
350mA DC
CLEAR GLASS
400 Lumen
dimnable PWM or CCR

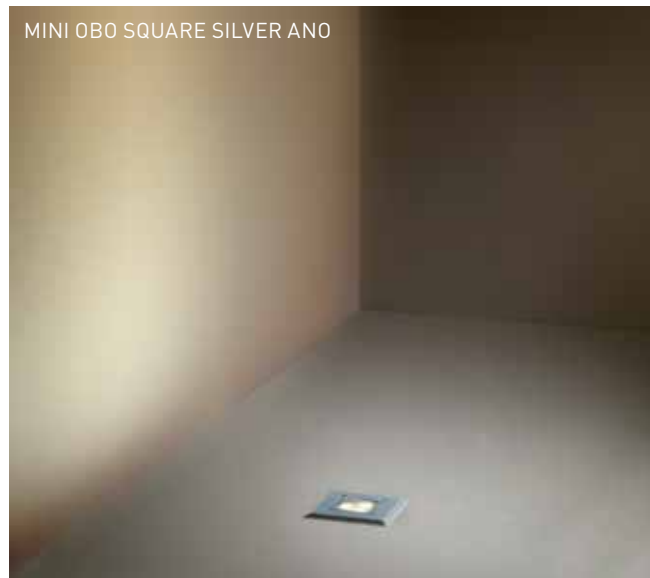
A++



	2700K			3000K		
	9°	38°	60°	9°	38°	60°
STAINLESS STEEL	369320	369420	369520	369360	369460	369560
SILVER ANO	369322	369422	369522	369362	369462	369562

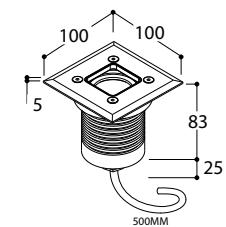
- FLOORTUBE **366348** p.348
- FLOORBOX **366349** p.348

CONVERTER p.554



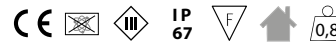
MINI OBO SQUARE SILVER ANO

MINI OBO SQUARE 350mA



LUXEON M LED 3,82W
350mA DC
CLEAR GLASS
400 Lumen
dimnable PWM or CCR

A++

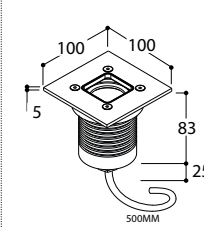


	2700K			3000K		
	9°	38°	60°	9°	38°	60°
STAINLESS STEEL	369310	369410	369510	369350	369450	369550
SILVER ANO	369312	369412	369512	369352	369452	369552

- FLOORTUBE **366358** p.348
- FLOORBOX **366359** p.348

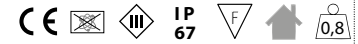
CONVERTER p.554

MINI UBO SQUARE 350mA



LUXEON M LED 3,82W
350mA DC
CLEAR GLASS
400 Lumen
dimnable PWM or CCR

A++



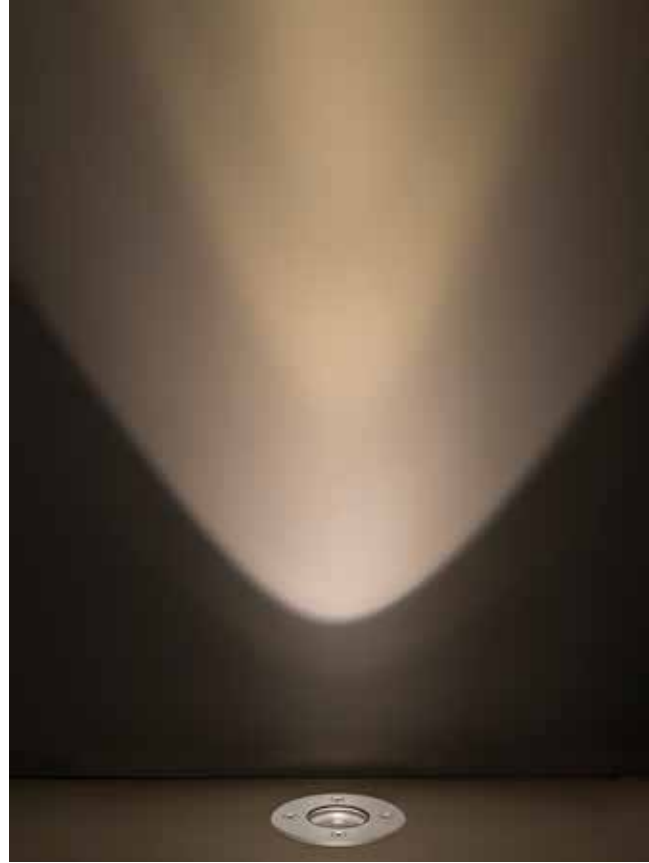
	2700K			3000K		
	9°	38°	60°	9°	38°	60°
STAINLESS STEEL	369330	369430	369530	369370	369470	369570
SILVER ANO	369332	369432	369532	369372	369472	369572

- FLOORTUBE **366448** p.348
- FLOORBOX **366449** p.348

CONVERTER p.554



9°



38°



60°

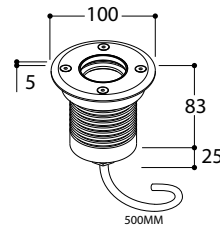


MINI OBO/UBO OPAL 350mA

inground uplight

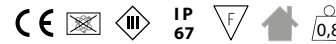


MINI OBO ROUND 350mA



LUXEON M LED 3,82W
350mA DC
OPAL GLASS
400 Lumen
dimnable PWM or CCR

A++

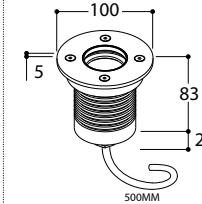


	2700K	3000K
STAINLESS STEEL	369200	369240
SILVER ANO	369202	369242

- FLOORTUBE **366358** p.348
- FLOORBOX **366359** p.348

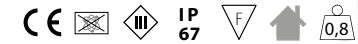
CONVERTER p.554

MINI UBO ROUND 350mA



LUXEON M LED 3,82W
350mA DC
OPAL GLASS
400 Lumen
dimnable PWM or CCR

A++



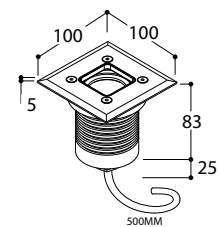
	2700K	3000K
STAINLESS STEEL	369220	369260
SILVER ANO	369222	369262

- FLOORTUBE **366348** p.348
- FLOORBOX **366349** p.348

CONVERTER p.554

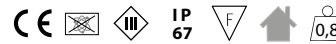


MINI OBO SQUARE 350mA



LUXEON M LED 3,82W
350mA DC
OPAL GLASS
400 Lumen
dimnable PWM or CCR

A++

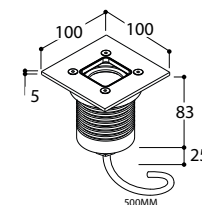


	2700K	3000K
STAINLESS STEEL	369210	369250
SILVER ANO	369212	369252

- FLOORTUBE **366358** p.348
- FLOORBOX **366359** p.348

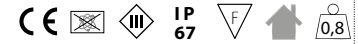
CONVERTER p.554

MINI UBO SQUARE 350mA



LUXEON M LED 3,82W
350mA DC
OPAL GLASS
400 Lumen
dimnable PWM or CCR

A++



	2700K	3000K
STAINLESS STEEL	369230	369270
SILVER ANO	369232	369272

- FLOORTUBE **366448** p.348
- FLOORBOX **366449** p.348

CONVERTER p.554

inground uplight

MINI OBO/UBO OPAL 350mA



MINI OBO/UBO XICATO

inground uplight



inground uplight

MINI OBO/UBO XICATO



MINI OBO ROUND XICATO

XICATO XTM 6,3W
350mA (18,1Vf)
dimnable PWM or CCR
720 Lumen
beam 40°
CRI 97

CE, RoHS, III, IP 67, F, Home, 1,0

Installation depth 115 mm	2700K
BLACK ANO + CLEAR GLASS	369685
STAINLESS STEEL + CLEAR GLASS	369693
SILVER ANO + CLEAR GLASS	369695

FLOORTUBE 366358 p.348
FLOORBOX 366359 p.348

CONVERTER p.554

MINI OBO SQUARE XICATO

XICATO XTM 6,3W
350mA (18,1Vf)
dimnable PWM or CCR
720 Lumen
beam 40°
CRI 97

CE, RoHS, III, IP 67, F, Home, 1,0

Installation depth 115 mm	2700K
BLACK ANO + CLEAR GLASS	369885
STAINLESS STEEL + CLEAR GLASS	369893
SILVER ANO + CLEAR GLASS	369895

FLOORTUBE 366358 p.348
FLOORBOX 366359 p.348

CONVERTER p.554

MINI UBO ROUND XICATO

XICATO XTM 6,3W
350mA (18,1Vf)
dimnable PWM or CCR
720 Lumen
beam 40°
CRI 97

CE, RoHS, III, IP 67, F, Home, 1,0

Installation depth 120 mm	2700K
BLACK ANO + CLEAR GLASS	369785
STAINLESS STEEL + CLEAR GLASS	369793
SILVER ANO + CLEAR GLASS	369795

FLOORTUBE 366348 p.348
FLOORBOX 366349 p.348

CONVERTER p.554

MINI UBO SQUARE XICATO

XICATO XTM 6,3W
350mA (18,1Vf)
dimnable PWM or CCR
720 Lumen
beam 40°
CRI 97

CE, RoHS, III, IP 67, F, Home, 1,0

Installation depth 120 mm	2700K
BLACK ANO + CLEAR GLASS	369985
STAINLESS STEEL + CLEAR GLASS	369993
SILVER ANO + CLEAR GLASS	369995

FLOORTUBE 366448 p.348
FLOORBOX 366449 p.348

CONVERTER p.554



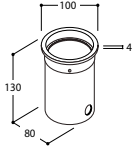
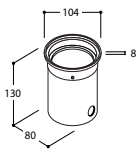
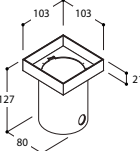
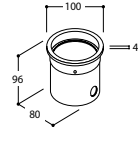
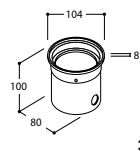
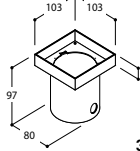
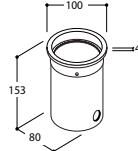
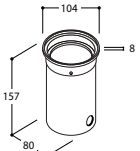
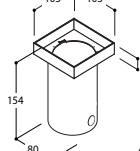
	MATERIAL	TREATMENT
STAINLESS STEEL	MARINE GRADE 316	Electrolytically Polished
SILVER ANO	AlMgSi 0,5	Technical Anodised

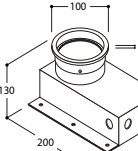
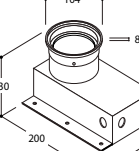
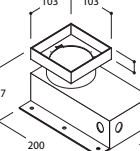
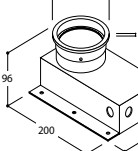
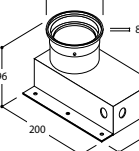
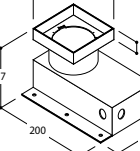
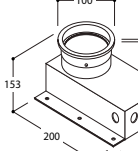
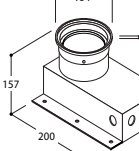
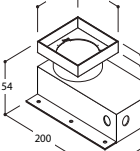


FLOORTUBES

FLOORBOX

inground upright

	MINI OBO ROUND/ SQUARE	MINI UBO ROUND	MINI UBO SQUARE
XICATO XTM LUXEON M WC	 366358	 366348	 366448
PHOBOS LED	 366318	 366308	 366408
LUXEON M CI	 393358	 493348	 493448

	MINI OBO ROUND/ SQUARE	MINI UBO ROUND	MINI UBO SQUARE
XICATO XTM LUXEON M WC	 366359	 366349	 366449
PHOBOS LED	 366319	 366309	 366409
LUXEON M CI	 493359	 493349	 493449

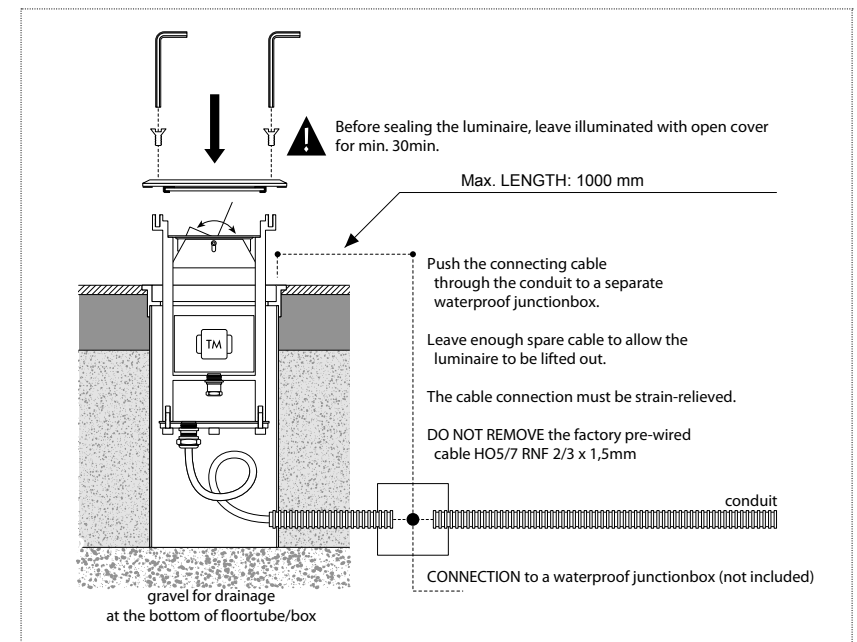
RECESSED DIMENSIONS

INSTALLATION

	MINI OBO ROUND/ SQUARE	MINI UBO ROUND	MINI UBO SQUARE
XICATO XTM LUXEON M WC			
PHOBOS LED			
LUXEON M CI			



RECOMMENDED INSTALLATION OF FLOORSPOTS



Recessed dimensions are the minimum dimensions required for floor spot installation without floor spot or floortube.



B4 354



BERNARD 372



BRIX CEILING 396



BRIX LED IP65 392



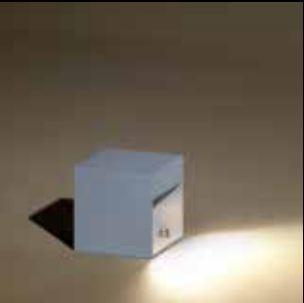
BRIX LONG IP65 395



FORUM BEACON 382



GUIDO 397



HEB 366



HEKOWA 50 SPOT 376



HEKOWA 50 PUCK 378



HEKOWA 100 SPOT 377



HEKOWA 100 PUCK 379



MENHIR 150-250 362



MENHIR B.I.G. 600 363



MINI HELAX OUT 402



ROBBER 360



ROSEAU FLOOR 358



ROSEAU PIN 356

exterior



FORUM SPOT 383



FORUM PUCK 385



GREG 401



GREGORIUS 399



GREGORY 400



GUARDIAN 368



HEKOWA BEACON 380



HELAX OUT 403



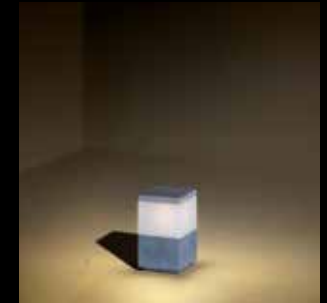
JOE DALTON 390



LISDODDE 352



MAX 50 374



MENHIR BLUE 364



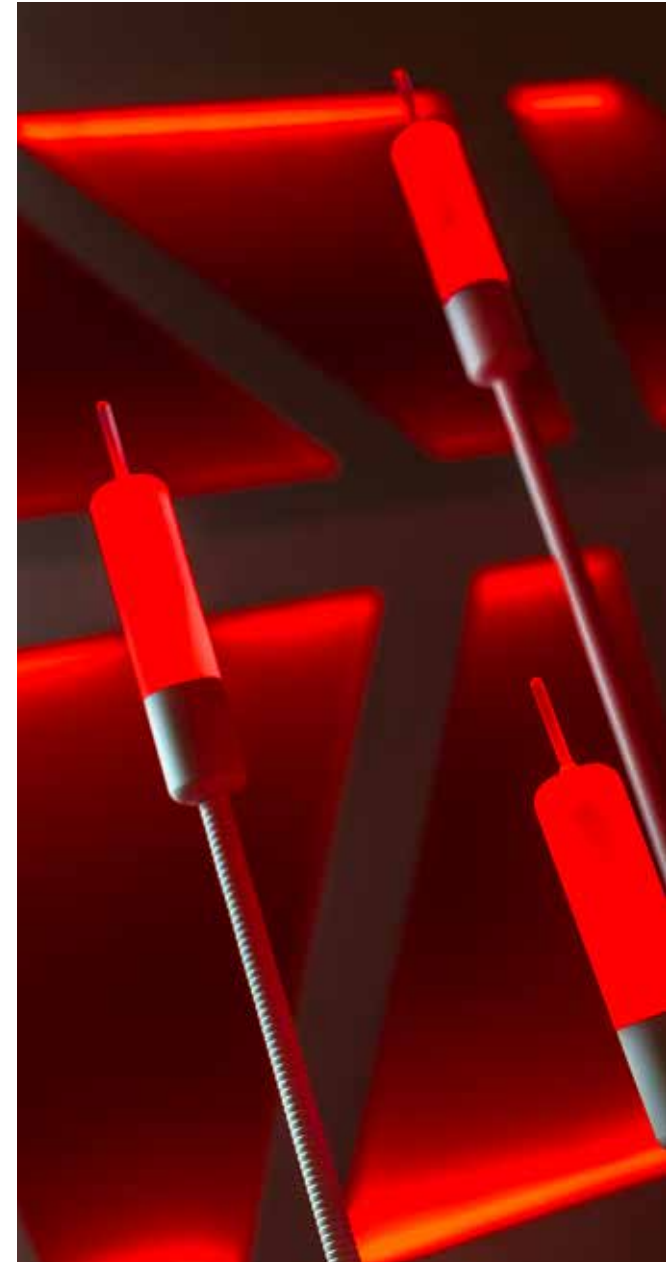
TOTEM PUCK 386



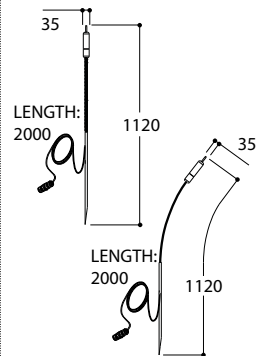
TOTEM BEACON 388

LISDODDE

exterior

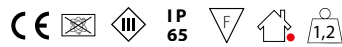


LISDODDE



CREE XPE 1,5W
24V - DC
94 lumen

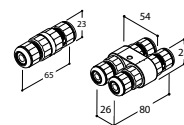
A+



2700K 3000K

TEXTURED BLACK	440026	440036
SILVER ANTHRACITE	440023	440033

- ⊕ LISDODDE 1IN 1OUT SINGLE CONNECTOR IP68 440090
- ⊕ LISDODDE 1IN 3OUT MULTIPLE CONNECTOR IP68 440091



CONVERTER p.550

exterior

LISDODDE



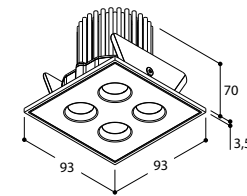
B4 OUT

80 mm

exterior



B4 OUT LEAF



CREE XPG 8W
700mA DC
Dimmable PWM or CCR
832 Lumen
CRI 92

A++

80 mm

Installation height 75 (90) mm

CE, IP 54, F, 0,4

	2700K			3000K		
	10°	25°	46°	10°	25°	46°
TEXT. WHITE	294347	294447	294547	294357	294457	294557
TEXT. BLACK	294326	294426	294526	294336	294436	294536

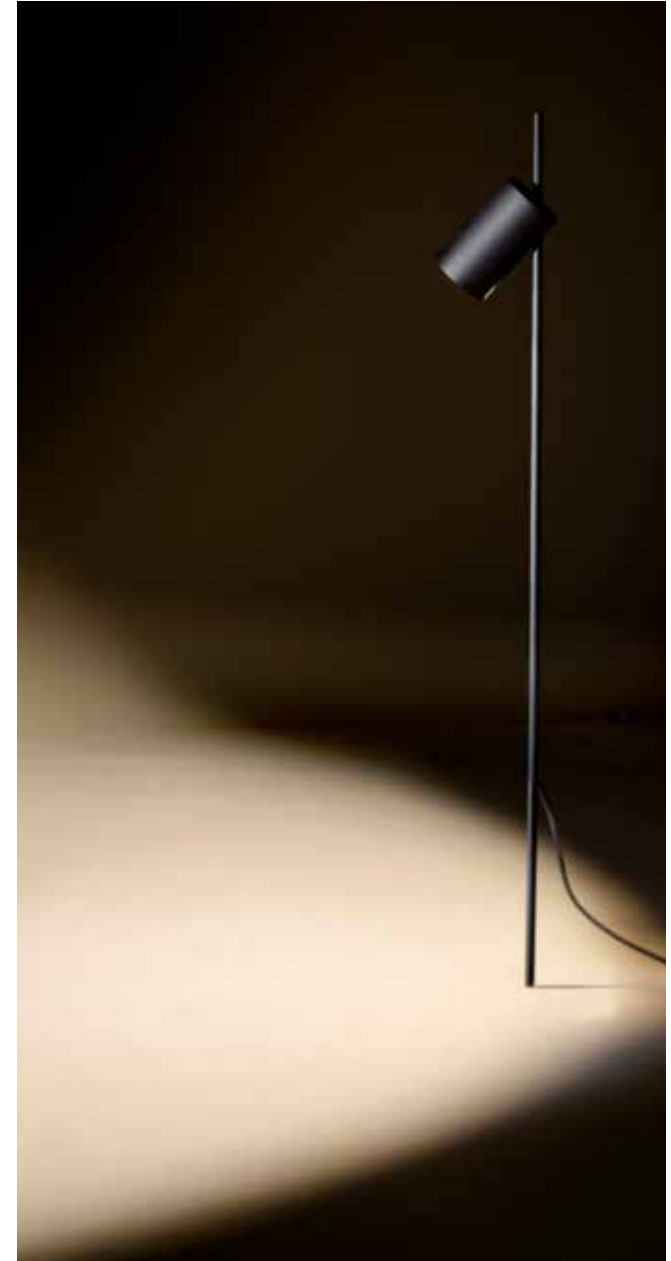
CONVERTER p.560

exterior

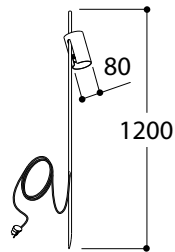


ROSEAU PIN design by Michel de Nyn

exterior

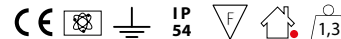


ROSEAU PIN



LUXEON M 3,82W
230V - AC
∠ 0-35°
400 lumen

A++



	2700K	3000K
TEXTURED BLACK	416126	416136
TEXTURED GREY	416103	416113
SILVER ANTHRACITE	416123	416133
SILVER SAND	416129	416139



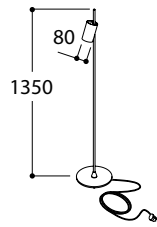
ROSEAU FLOOR

design by Michel de Nyn

exterior

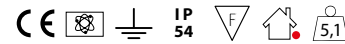


ROSEAU FLOOR 1350



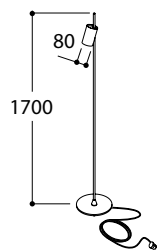
LUXEON M 3,82W
230V - AC
∅ 0-35°
400 lumen

A++



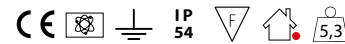
	2700K	3000K
TEXTURED BLACK	416226	416236
TEXTURED GREY	416203	416213
SILVER ANTHRACITE	416223	416233
SILVER SAND	416229	416239

ROSEAU FLOOR 1700



LUXEON M 3,82W
230V - AC
∅ 0-35°
400 lumen

A++



	2700K	3000K
TEXTURED BLACK	416326	416336
TEXTURED GREY	416303	416313
SILVER ANTHRACITE	416323	416333
SILVER SAND	416329	416339





ROBBER design by Frederik Degreve

exterior



ROBBER

SMD 18W
230V - AC

A+

CE, RoHS, IP 54, F, Home, 22

3000K

BLACK RUBBER **643026**

FLOORPIN **260991**

ROBBER STAND ALONE

SMD 18W
230V - AC

A+

LENGTH: 4000

CE, RoHS, IP 54, F, Home, 22

3000K

BLACK RUBBER **643926**

FLOORPIN **260991**

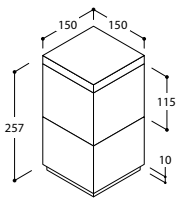


MENHIR 150-250

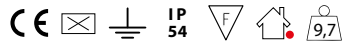
exterior



 MENHIR 150-250



A60 MAX 40W
E27
230V - AC
dimnable: see bulb



TEXTURED BLACK	360526
TEXTURED GREY	360533
SILVER ANTHRACITE	360530
SILVER SAND	360529

© GROUNDPIN 260992

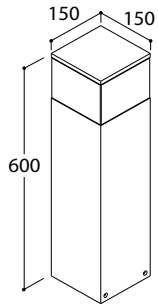


exterior

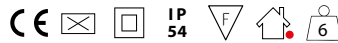
MENHIR B.I.G.



 MENHIR B.I.G. 600



A60 MAX 40W
E27
230V - AC
dimmmable: see bulb



TEXTURED BLACK	360726
TEXTURED GREY	360734
SILVER ANTHRACITE	360764
SILVER SAND	360786

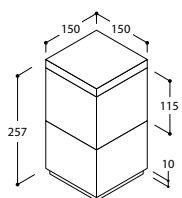
© GROUNDPIN LARGE 260991



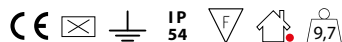
MENHIR BLUESTONE



MENHIR 150-250



A60 MAX 40W
E27
230V - AC
dimmable: see bulb



BLUE STONE

360550

© GROUNDPIN

260992

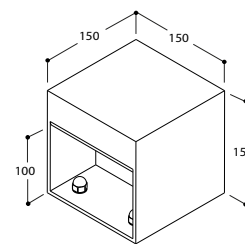


HEB

exterior

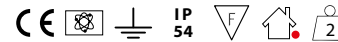


HEB 150-150 CI



CREE XPE (x3) 1,2W
230V - AC
300 lumen

A+



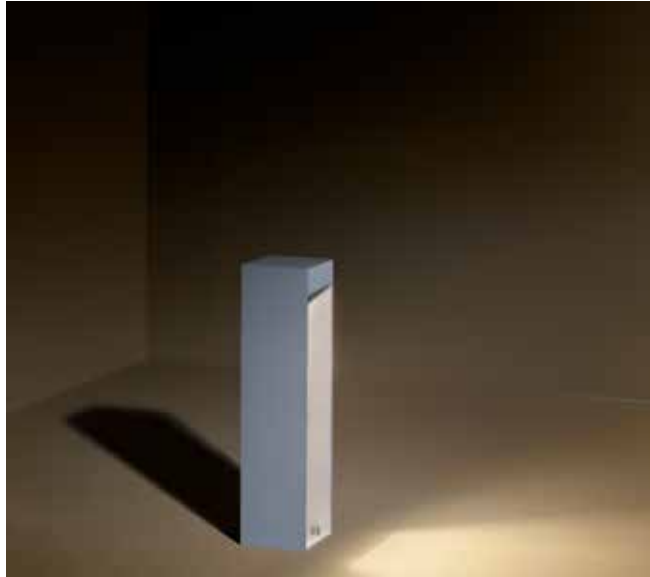
	2700K	3000K
TEXTURED BLACK	150726	150096
TEXTURED GREY	150703	150098
SILVER ANTHRACITE	150723	150923
SILVER SAND	150729	150929

GROUNDPIN

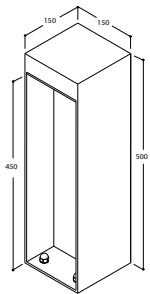
260991

exterior

HEB

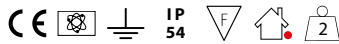


 HEB 150-500 CI 



CREE XPE (x3) 1,2W
230V - AC
300 lumen

A+



	2700K	3000K
TEXTURED BLACK	150736	150798
TEXTURED GREY	150730	150930
SILVER ANTHRACITE	150733	150933
SILVER SAND	150739	150939

 GROUNDPIN LARGE

260991

GUARDIAN

exterior



GUARDIAN 295



LUXEON M 3,82W
230V - AC
400 lumen
☐

A++

CE IP 65 1,5

	2700K	3000K
TEXTURED BLACK	431226	431626
TEXTURED GREY	431203	431603
SILVER ANTHRACITE	431223	431623
SILVER SAND	431229	431629

Ⓞ GROUNDPIN 260992

GUARDIAN 595



LUXEON M 3,82W
230V - AC
400 lumen
☐

A++

CE IP 65 3,1

	2700K	3000K
TEXTURED BLACK	431326	431726
TEXTURED GREY	431303	431703
SILVER ANTHRACITE	431323	431723
SILVER SAND	431329	431729

Ⓞ GROUNDPIN 260992

exterior

GUARDIAN





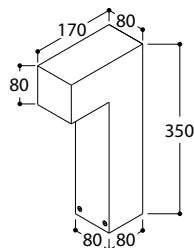


BERNARD

exterior



BERNARD 350



LUXEON M 3,82W
230V - AC
400 lumen

A++



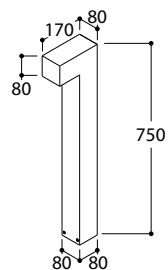
	2700K	3000K
TEXTURED BLACK	454026	454226
TEXTURED GREY	454003	454203
SILVER ANTHRACITE	454023	454223
SILVER SAND	454029	454229

GROUNDPIN

260992



BERNARD 750



LUXEON M 3,82W
230V - AC
400 lumen

A++



	2700K	3000K
TEXTURED BLACK	454126	454326
TEXTURED GREY	454103	454309
SILVER ANTHRACITE	454123	454323
SILVER SAND	454129	454329

GROUNDPIN

260992



exterior

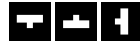
BERNARD



MAX 50



MAX 50 WC



LUXEON M 3,82W
350mA DC
Dimmable PWM or CCR
400 lumen
beam 36°
⌀ 100°

A++

CE, RoHS, ENEC, IP 65, F, Home, I

	2700K	3000K
TEXTURED BLACK	474226	474236
TEXTURED GREY	474203	474213
SILVER ANTHRACITE	474223	474233
SILVER SAND	474229	474239

GROUNDPIN 260990

MAX 50 CI



LUXEON M 3,82W
230V - AC
400 lumen
beam 36°
⌀ 100°

A++

CE, RoHS, ENEC, IP 65, F, Home, I, 1,3

	2700K	3000K
TEXTURED BLACK	474026	474036
TEXTURED GREY	474003	474013
SILVER ANTHRACITE	474023	474033
SILVER SAND	474029	474039

GROUNDPIN 260990

CONVERTER p.554



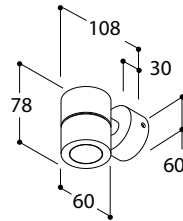


HEKOWA 50 SPOT

exterior

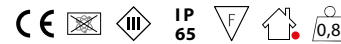


HEKOWA 50 SPOT WC



LUXEON M 3,82W
350mA DC
Dimmable PWM or CCR
400 lumen
beam 36°

A++

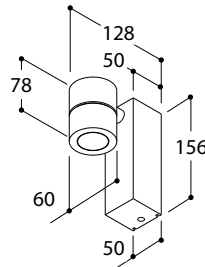


	2700K	3000K
TEXTURED BLACK	473226	473236
TEXTURED GREY	473203	473213
SILVER ANTHRACITE	473223	473233
SILVER SAND	473229	473239

CONVERTER p.554



HEKOWA 50 SPOT CI



LUXEON M 3,82W
230V - AC
400 lumen
beam 36°

A++



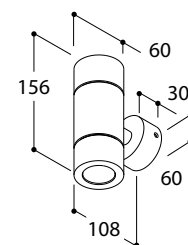
	2700K	3000K
TEXTURED BLACK	473026	473036
TEXTURED GREY	473003	473013
SILVER ANTHRACITE	473023	473033
SILVER SAND	473029	473039

exterior

HEKOWA 100 SPOT



HEKOWA 100 SPOT WC



LUXEON M (x2) 3,82W
350mA DC
Dimmable PWM or CCR
2x 400 lumen
beam up & down 36°

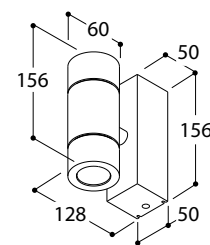
A++



	2700K	3000K
TEXTURED BLACK	473326	473336
TEXTURED GREY	473303	473313
SILVER ANTHRACITE	473323	473333
SILVER SAND	473329	473339

CONVERTER p.554

HEKOWA 100 SPOT CI



LUXEON M (x2) 3,82W
230V - AC
2x 400 lumen
beam up & down 36°

A++



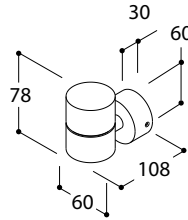
	2700K	3000K
TEXTURED BLACK	473126	473136
TEXTURED GREY	473103	473113
SILVER ANTHRACITE	473123	473133
SILVER SAND	473129	473139

HEKOWA 50 PUCK

exterior

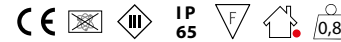


HEKOWA 50 PUCK WC



LUXEON M 3,82W
350mA DC
Dimmable PWM or CCR
400 lumen

A++

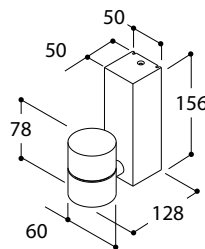


	2700K	3000K
TEXTURED BLACK	473626	473636
TEXTURED GREY	473603	473613
SILVER ANTHRACITE	473623	473633
SILVER SAND	473629	473639

CONVERTER p.554



HEKOWA 50 PUCK CI



LUXEON M 3,82W
230V - AC
400 lumen

A++



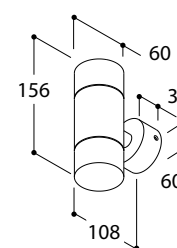
	2700K	3000K
TEXTURED BLACK	473426	473436
TEXTURED GREY	473403	473413
SILVER ANTHRACITE	473423	473433
SILVER SAND	473429	473439

exterior



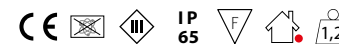
HEKOWA 100 PUCK

HEKOWA 100 PUCK WC



LUXEON M (x2) 3,82W
350mA DC
Dimmable PWM or CCR
2x 400 lumen

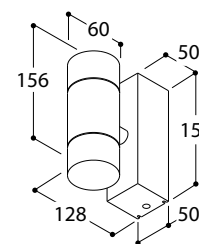
A++



	2700K	3000K
TEXTURED BLACK	473666	473676
TEXTURED GREY	473643	473653
SILVER ANTHRACITE	473663	473673
SILVER SAND	473669	473679

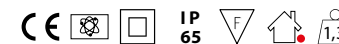
CONVERTER p.554

HEKOWA 100 PUCK CI



LUXEON M (x2) 3,82W
230V - AC
2x 400 lumen

A++



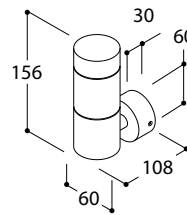
	2700K	3000K
TEXTURED BLACK	473466	473476
TEXTURED GREY	473443	473453
SILVER ANTHRACITE	473463	473473
SILVER SAND	473469	473479

HEKOWA 50 BEACON

exterior

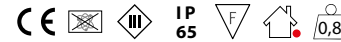


HEKOWA 50 BEACON WC



LUXEON M 3,82W
350mA DC
Dimmable PWM or CCR
400 lumen

A++

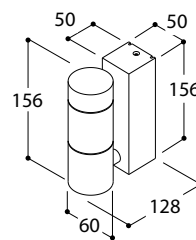


	2700K	3000K
TEXTURED BLACK	473726	473736
TEXTURED GREY	473703	473713
SILVER ANTHRACITE	473723	473733
SILVER SAND	473729	473739

CONVERTER p.554



HEKOWA 50 BEACON CI



LUXEON M 3,82W
230V - AC
400 lumen

A++



	2700K	3000K
TEXTURED BLACK	473526	473536
TEXTURED GREY	473503	473513
SILVER ANTHRACITE	473523	473533
SILVER SAND	473529	473539



exterior

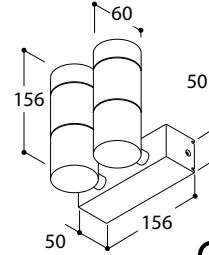


FORUM BEACON

exterior



FORUM BEACON WC



LUXEON M (x2) 3,82W
350mA DC
Dimmable PWM or CCR
2x 400 lumen
beam 2x 36°

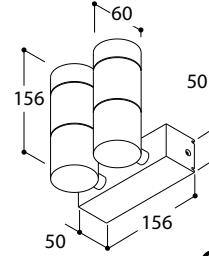
A++



	2700K	3000K
TEXTURED BLACK	475726	475736
TEXTURED GREY	475703	475713
SILVER ANTHRACITE	475723	475733
SILVER SAND	475729	475739

CONVERTER p.554

FORUM BEACON CI



LUXEON M (x2) 3,82W
230V - AC
2x 400 lumen
beam 2x 36°

A++



	2700K	3000K
TEXTURED BLACK	475526	475536
TEXTURED GREY	475503	475513
SILVER ANTHRACITE	475523	475533
SILVER SAND	475529	475539

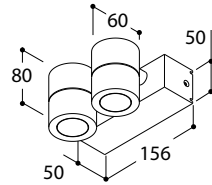


exterior

FORUM SPOT

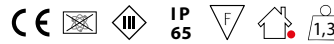


FORUM SPOT WC



LUXEON M (x2) 3,82W
350mA DC
Dimmable PWM or CCR
2x 400 lumen
beam 2x 36°

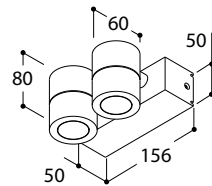
A++



	2700K	3000K
TEXTURED BLACK	475326	475336
TEXTURED GREY	475303	475313
SILVER ANTHRACITE	475323	475333
SILVER SAND	475329	475339

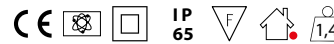
CONVERTER p.554

FORUM SPOT CI



LUXEON M (x2) 3,82W
230V - AC
2x 400 lumen
beam 2x 36°

A++



	2700K	3000K
TEXTURED BLACK	475126	475136
TEXTURED GREY	475103	475113
SILVER ANTHRACITE	475123	475133
SILVER SAND	475129	475139





exterior

FORUM PUCK



FORUM PUCK WC

LUXEON M (x2) 3,82W
350mA DC
Dimmable PWM or CCR
2x 400 lumen

A++

CE, RoHS, ENEC, IP 65, F, I, I,1

	2700K	3000K
TEXTURED BLACK	475626	475636
TEXTURED GREY	475603	475613
SILVER ANTHRACITE	475623	475633
SILVER SAND	475629	475639

FORUM PUCK CI

LUXEON M (x2) 3,82W
230V - AC
2x 400 lumen

A++

CE, RoHS, ENEC, IP 65, F, I, I,2

	2700K	3000K
TEXTURED BLACK	475426	475436
TEXTURED GREY	475403	475413
SILVER ANTHRACITE	475423	475433
SILVER SAND	475429	475439

CONVERTER p.554

TOOTEM PUCK

exterior



TOOTEM 500 PUCK



LUXEON M 3,82W
230V - AC
400 lumen

A++

	2700K	3000K
TEXTURED BLACK	476426	476436
TEXTURED GREY	476403	476413
SILVER ANTHRACITE	476423	476433
SILVER SAND	476429	476439

GROUNDPIN
260990

TOOTEM 1000 PUCK



LUXEON M 3,82W
230V - AC
400 lumen

A++

	2700K	3000K
TEXTURED BLACK	477426	477436
TEXTURED GREY	477403	477413
SILVER ANTHRACITE	477423	477433
SILVER SAND	477429	477439

GROUNDPIN
260990



TOOTEM BEACON

exterior



TOOTEM 500 BEACON



TOOTEM 1000 BEACON



LUXEON M 3,82W
230V - AC
400 lumen

A++

CE, RoHS, IP 65, F, 1,5

	2700K	3000K
TEXTURED BLACK	476526	476536
TEXTURED GREY	476503	476513
SILVER ANTHRACITE	476523	476533
SILVER SAND	476529	476539

GROUNDPIN 260990

LUXEON M 3,82W
230V - AC
400 lumen

A++

CE, RoHS, IP 65, F, 2

	2700K	3000K
TEXTURED BLACK	477526	477536
TEXTURED GREY	477503	477513
SILVER ANTHRACITE	477523	477533
SILVER SAND	477529	477539

GROUNDPIN 260990

exterior

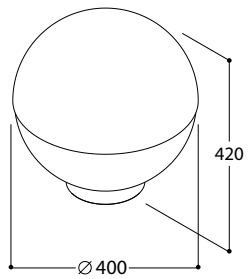


JOE DALTON

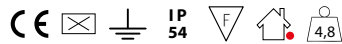
exterior



JOE DALTON



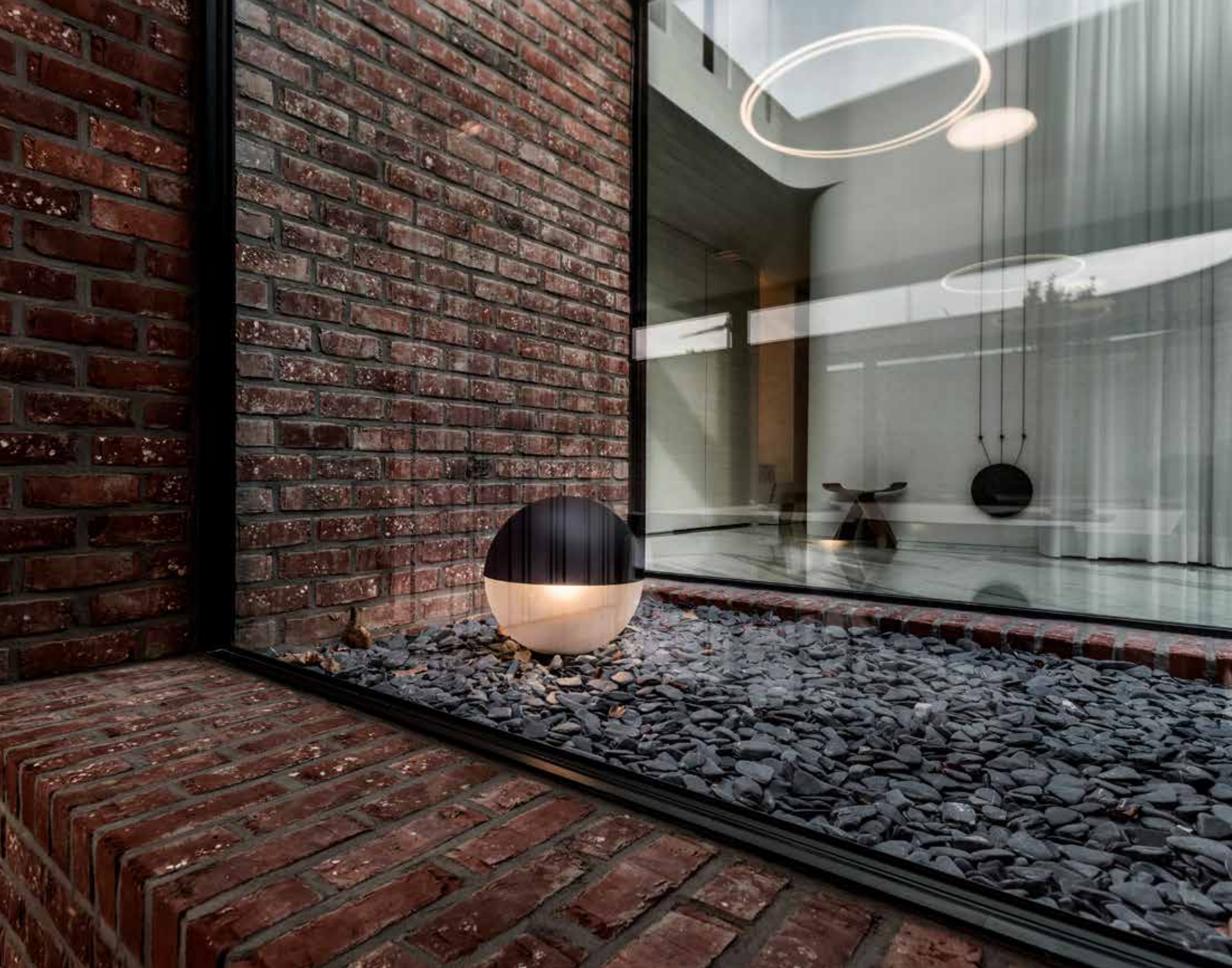
A60 MAX 40W
E27
230V - AC
dimmable: see bulb



TEXT. BLACK	455026
TEXT. GREY	455003
SILVER ANTRACITE	455023
SILVER SAND	455029

© GROUNDPIN LARGE II 260993



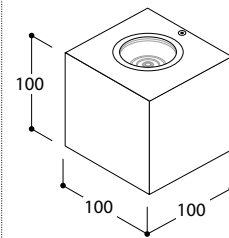


BRIX OUT

exterior

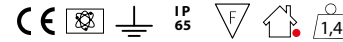


BRIX SINGLE BEAM IP65



LUXEON M 3,82W
230V - AC
dimnable L,C
400 lumen
UP \square 70° or DOWN \square 70°

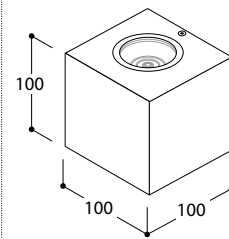
A++



	2700K	3000K
TEXTURED BLACK	260941	260931
TEXTURED GREY	260943	260933
SILVER ANTHRACITE	260947	260937
SILVER SAND	260948	260938

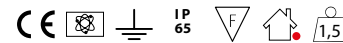


BRIX UP/DOWN IP65



LUXEON M (x2) 3,82W
230V - AC
dimnable L,C
2x 400 lumen
UP/ DOWN \square 70°

A++



	2700K	3000K
TEXTURED BLACK	260942	260932
TEXTURED GREY	260946	260936
SILVER ANTHRACITE	260944	260934
SILVER SAND	260945	260935





BRIX LONG

exterior

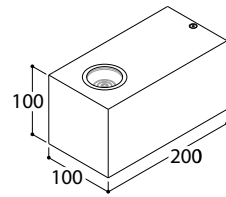


exterior

BRIX LONG

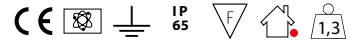


BRIX LONG SINGLE BEAM IP65



LUXEON M 3,82W
230V - AC
dimmable L,C
400 lumen
UP \uparrow 70° or DOWN \downarrow 70°

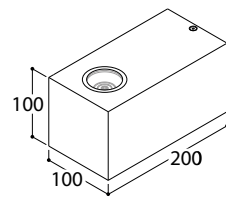
A++



	2700K	3000K
TEXTURED BLACK	264941	264931
TEXTURED GREY	264943	264933
SILVER ANTHRACITE	264947	264937
SILVER SAND	264948	264938

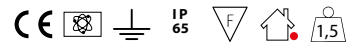


BRIX LONG UP/DOWN IP65



LUXEON M (x2) 3,82W
230V - AC
dimmable L,C
2x 400 lumen
UP/DOWN \updownarrow 70°

A++



	2700K	3000K
TEXTURED BLACK	264942	264932
TEXTURED GREY	264946	264936
SILVER ANTHRACITE	264944	264934
SILVER SAND	264945	264935

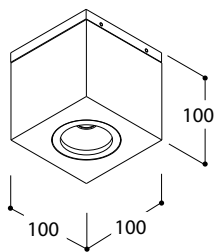


BRIX CEILING



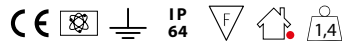
BRIX CEILING TEXT. BLACK

BRIX CEILING

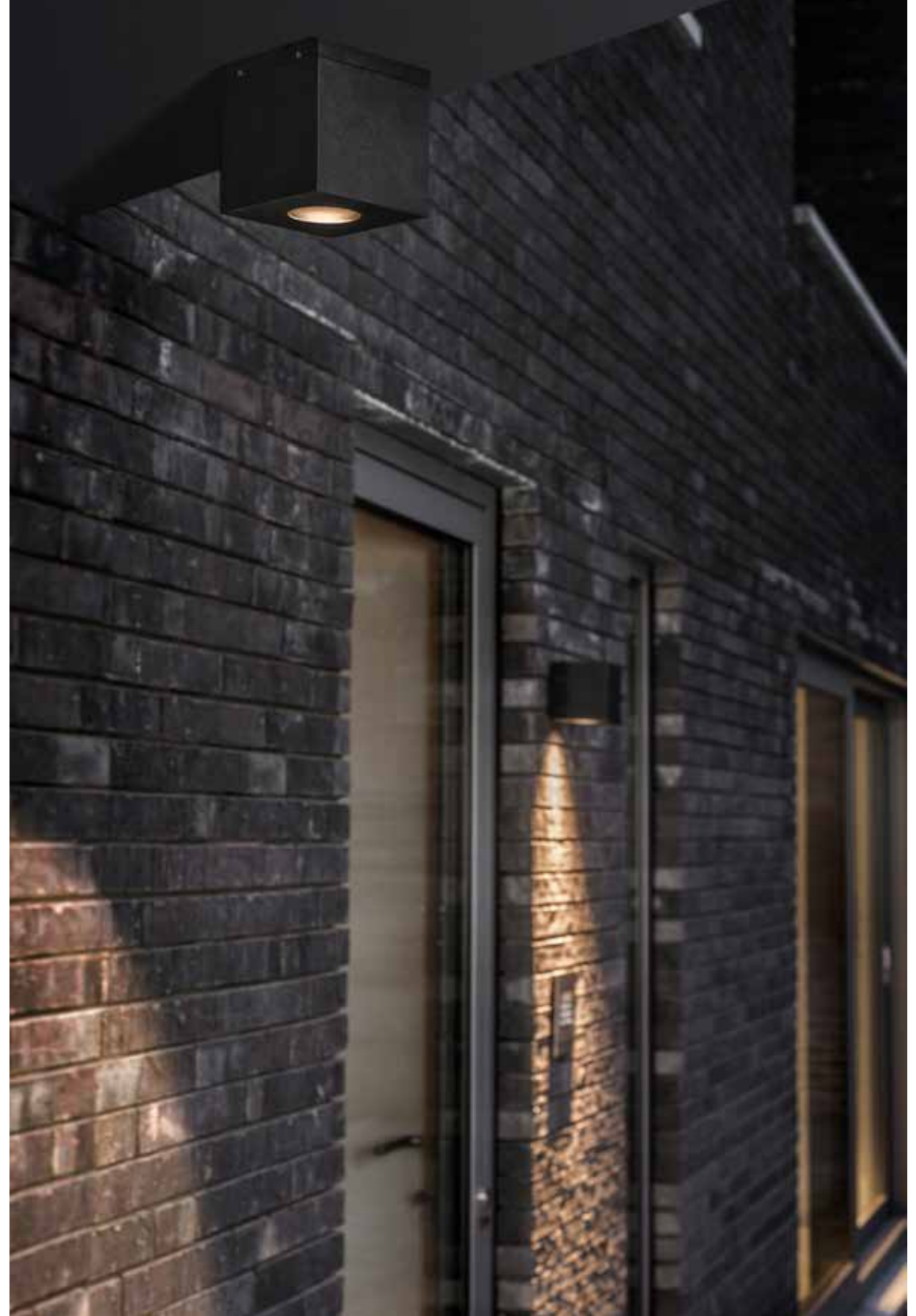


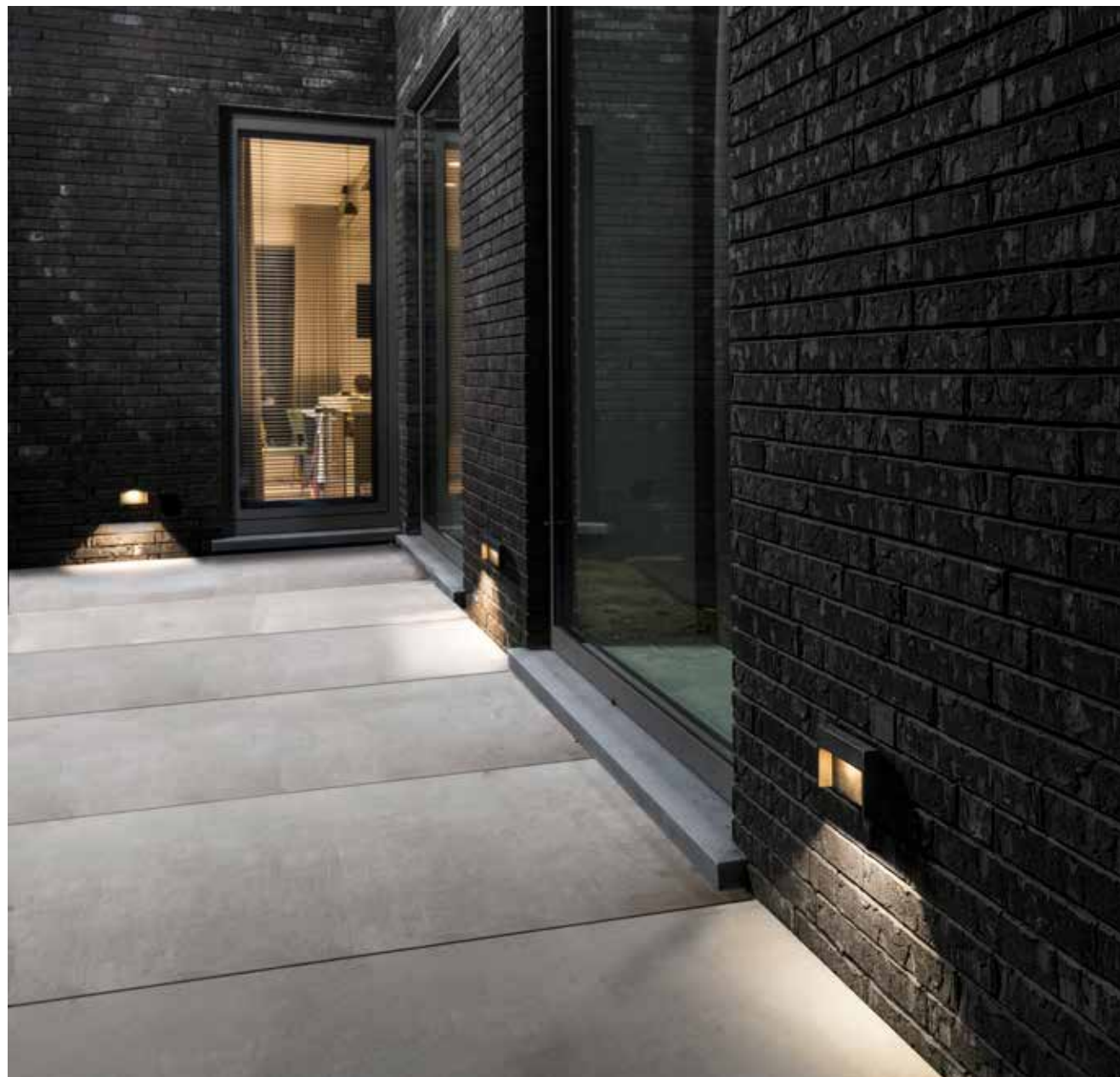
LUXEON M 3,82W
230V - AC
dimnable L,C
400 Lumen
beam 36°

A++

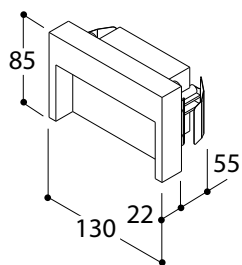


	2700K	3000K
TEXTURED BLACK	260972	260982
TEXTURED GREY	260976	260986
SILVER ANTHRACITE	260974	260984
SILVER SAND	260975	260985



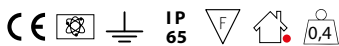


 GUIDO 



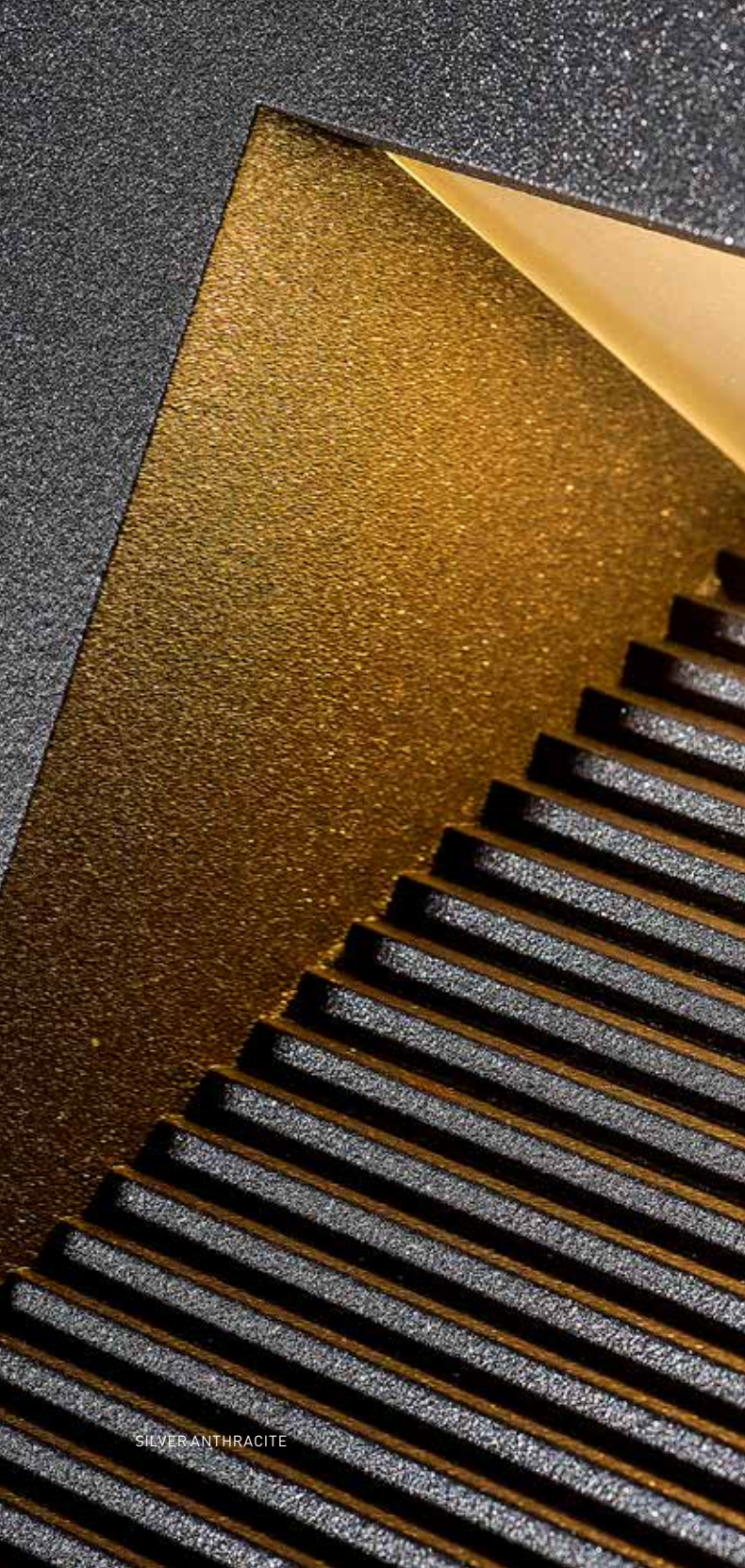
CREE XPE (3x) 1,2W
230V - AC
282 lumen

114 x 71



Installation depth 60 mm	2700K	3000K
TEXTURED BLACK	449026	449036
TEXTURED GREY	449003	449013
SILVER ANTHRACITE	449023	449033
SILVER SAND	449029	449039

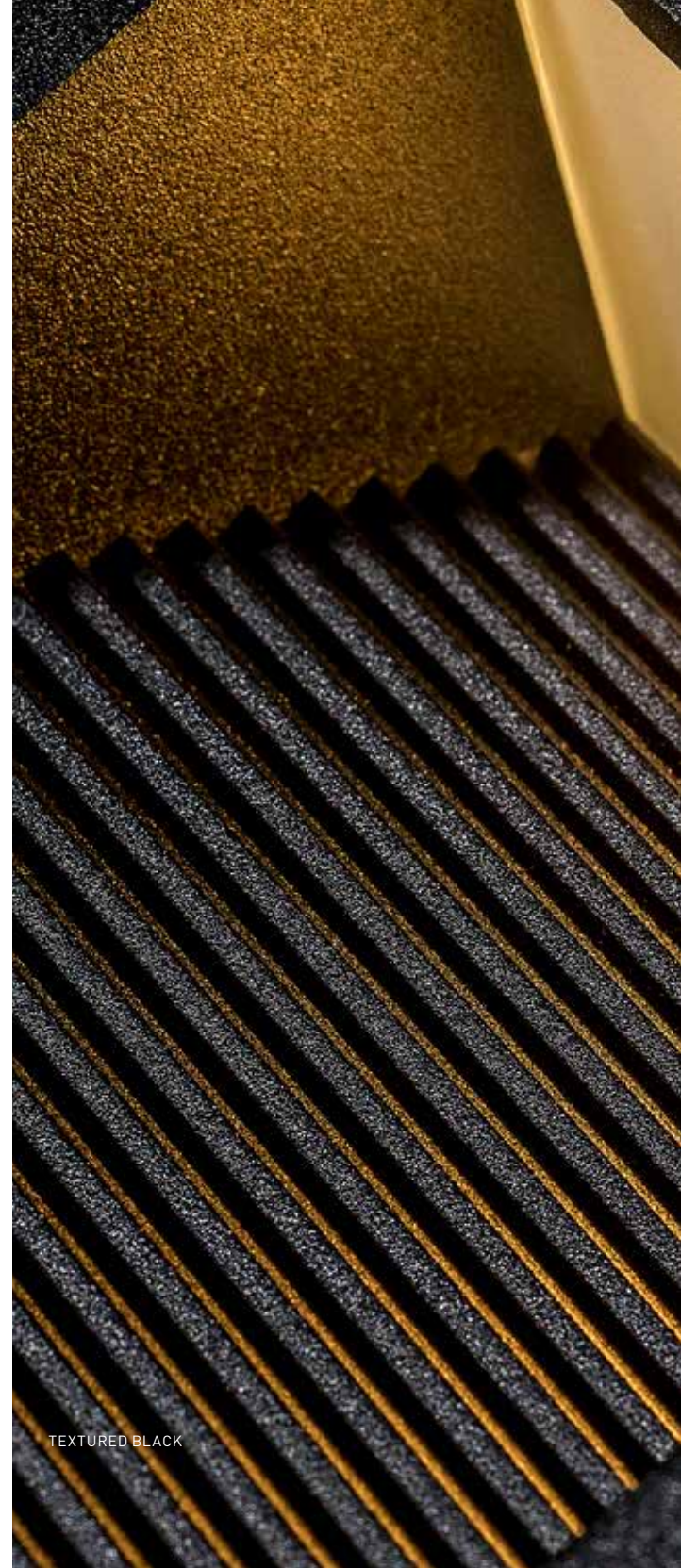
-  FRAME FOR PLASTER **499077** 116 x 72 x H 70 mm
-  BOX FOR PLASTERED CONCRETE **499097** 128 x 78 x H 70 mm
-  BOX FOR VISIBLE CONCRETE **499099** 123 x 78 x H 70 mm



SILVER ANTHRACITE



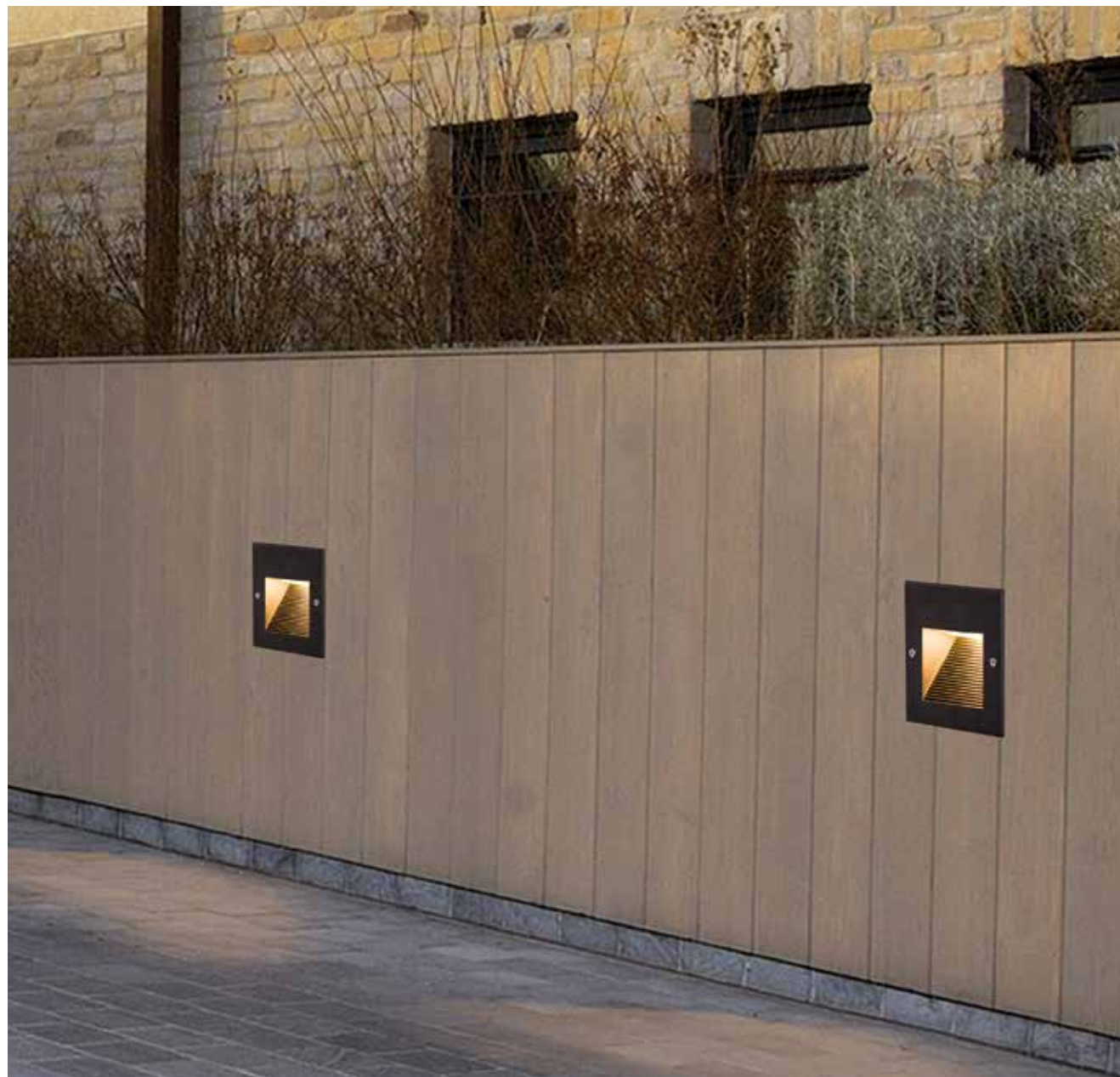
SILVER SAND



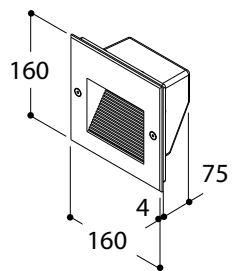
TEXTURED BLACK

exterior

GREGORIUS

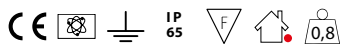


GREGORIUS



CITIZEN LED 6,6W
230V - AC
595 lumen

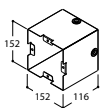
A+



	2700K	3000K
TEXT. GREY	432003	432013
TEXT. BLACK	432026	432036
SILVER SAND	432029	432039
SILVER ANTHRACITE	432023	432033

- ◉ GREGORIUS INSTAL. BOX
- ◉ INSTALLATION BOX FOR VISIBLE CONCRETE

432097 153 x 153 x 120 mm
432099



GREGORY

exterior



GREGORY HORIZONTAL



GREGORY VERTICAL



CREE XPE (x3) 1,2W
230V - AC
300 lumen

A+

	2700K	3000K
TEXT. BLACK	388936	388926
TEXT. GREY	388913	388903
SILVER ANTHR.	388933	388923
SILVER SAND	388939	388929

GREGORY INSTALLATION BOX **388999** 143 x 93 x 90 mm

triple LED 3W
230V - AC
300 lumen

A

	2700K	3000K
TEXT. BLACK	389936	389926
TEXT. GREY	389913	389903
SILVER ANTHR.	389933	389923
SILVER SAND	389939	389929

GREGORY INSTALLATION BOX **388999** 143 x 93 x 90 mm



GREG INDY

CREE XPE 1,2W
230V - AC
100 lumen

A+

CE, RoHS, IP 65, F, Home, 0,8

	2700K	3000K
TEXT. BLACK	186286	186296
TEXT. GREY	186224	186234
SILVER ANTHR.	186283	186293
SILVER SAND	186289	186299

REG INSTALLATION BOX 168999 93 x 93 x 90 mm

GREG LOUVRE

CREE XPE 1,2W
230V - AC
100 lumen

A+

CE, RoHS, IP 65, F, Home, 0,8

	2700K	3000K
TEXT. BLACK	186186	186196
TEXT. GREY	186124	186134
SILVER ANTHR.	186183	186193
SILVER SAND	186189	186199

REG INSTALLATION BOX 168999 93 x 93 x 90 mm

GREG SQUARE

CREE XPE 1,2W
230V - AC
100 lumen

A+

CE, RoHS, IP 65, F, Home, 0,8

	2700K	3000K
TEXT. BLACK	186086	186096
TEXT. GREY	186024	186034
SILVER ANTHR.	186083	186093
SILVER SAND	186089	186099

REG INSTALLATION BOX 168999 93 x 93 x 90 mm

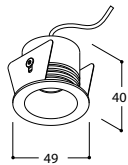
MINI HELAX OUT

 40 mm

exterior



MINI HELAX OUT 400 LUMEN

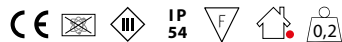


LUX M 3,82W
350mA DC
dimmable PWM or CCR
beam 36°

A++

 40 mm

Installation height 60 mm



TEXT. BLACK

2700K

178946

3000K

178947

TEXT. WHITE

178940

178941



CONVERTER p.554

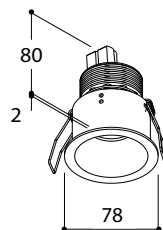
exterior

 70 mm

HELAX 70 OUT



HELAX 70 OUT HALOLED TORSION

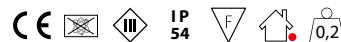


LUXEON M 7,84W
700mA DC
dimnable PWM or CCR
755 lumen
beam 36°

A+

 70 mm

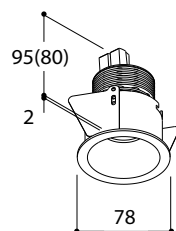
Installation height 85 mm



	2700K	3000K
TEXT. WHITE	249017	249027
TEXT. BLACK	249016	249026

CONVERTER p.560

HELAX 70 OUT HALOLED LEAF

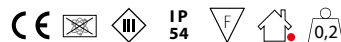


LUXEON M 7,84W
700mA DC
dimnable PWM or CCR
755 lumen
beam 36°

A+

 70 mm

Installation height 100 (85) mm



	2700K	3000K
TEXT. WHITE	249047	249057
TEXT. BLACK	249046	249056

CONVERTER p.560



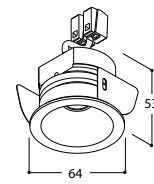
HELAX SML OUT

 56 mm

exterior




HELAX SML IP54 LEAF





LUXEON M 3,82W
350mA DC
dimnable PWM or CCR
400 Lumen
beam 36°

A++

 56 mm

Installation height 70 (55) mm

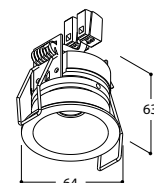
	2700K	3000K
TEXT. WHITE	178547	178557
TEXT. BLACK	178526	178536

 56 mm solid ceilings
 55 mm hollow ceilings

CONVERTER p.554




HELAX SML IP54 TORSION



LUXEON M 3,82W
350mA DC
dimnable PWM or CCR
400 Lumen
beam 36°

A++

 55 mm

Installation height 65 mm

	2700K	3000K
TEXT. WHITE	178647	178657
TEXT. BLACK	178626	178636

CONVERTER p.554



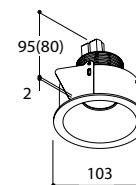
exterior

 95 mm

HELAX SML OUT HALOLED



HELAX SML OUT HALOLED



LUXEON M 7,84W
700mA DC
dimnable PWM or CCR
755 lumen
beam 36°



 95 mm

Installation height 100 (85) mm



TEXT. WHITE

2700K

3000K

TEXT. BLACK

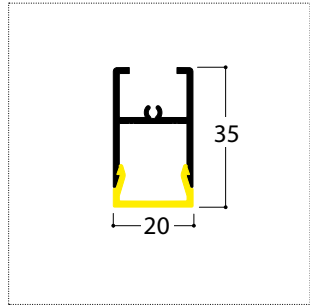
249147

249157

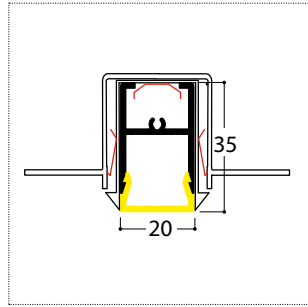
249146

249156

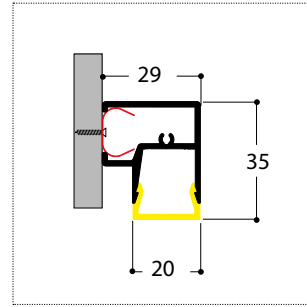
CONVERTER p.560



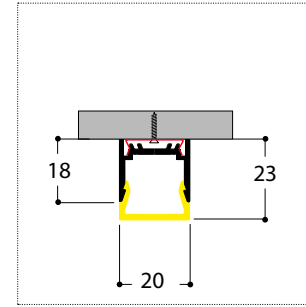
1U 424



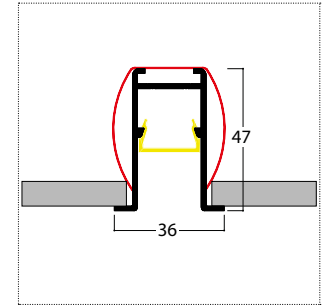
1U FLUSH 434



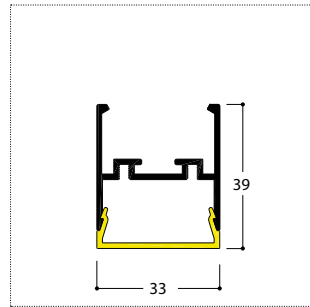
1U WALL 438



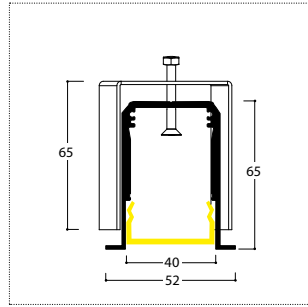
1U SLIM 442



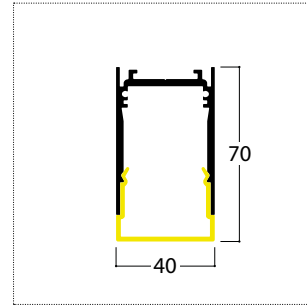
TAGLIO 418



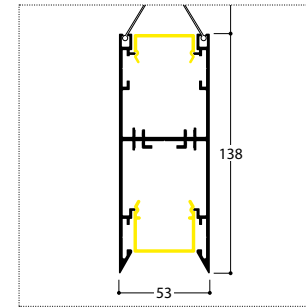
PROTUT 408



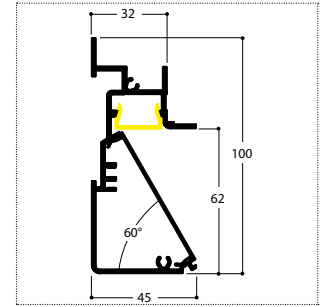
2U RECESSED 454



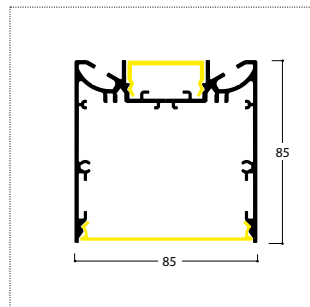
2U 464



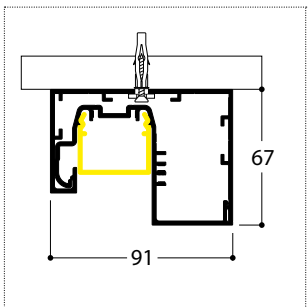
LUDO 476



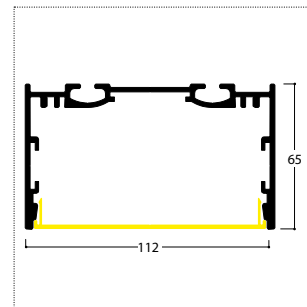
DUCTOR 448



DORMENT 504

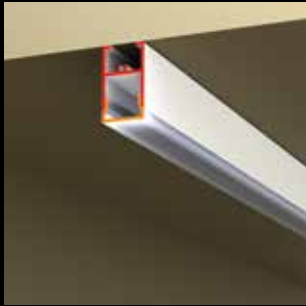


OSCAR 488

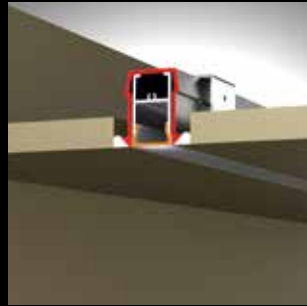


BORITI 510

profiles



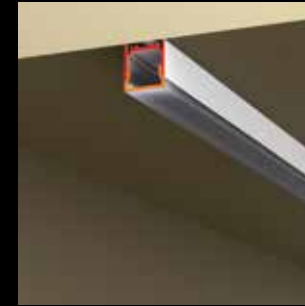
1U 424



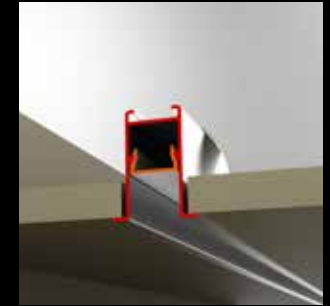
1U FLUSH 434



1U WALL 438



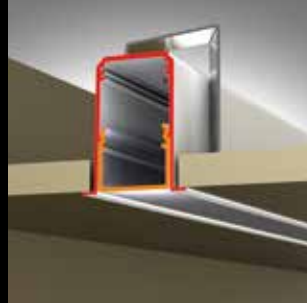
1U SLIM 442



TAGLIO 418



PROTUT 408



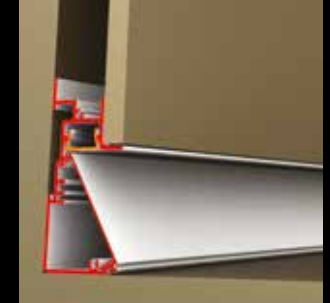
2U RECESSED 454



2U 464



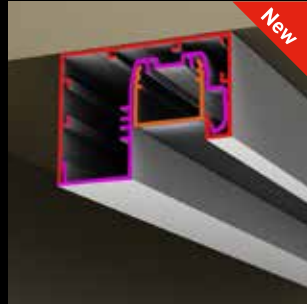
LUDO 476



DUCTOR 448



DORMENT 504



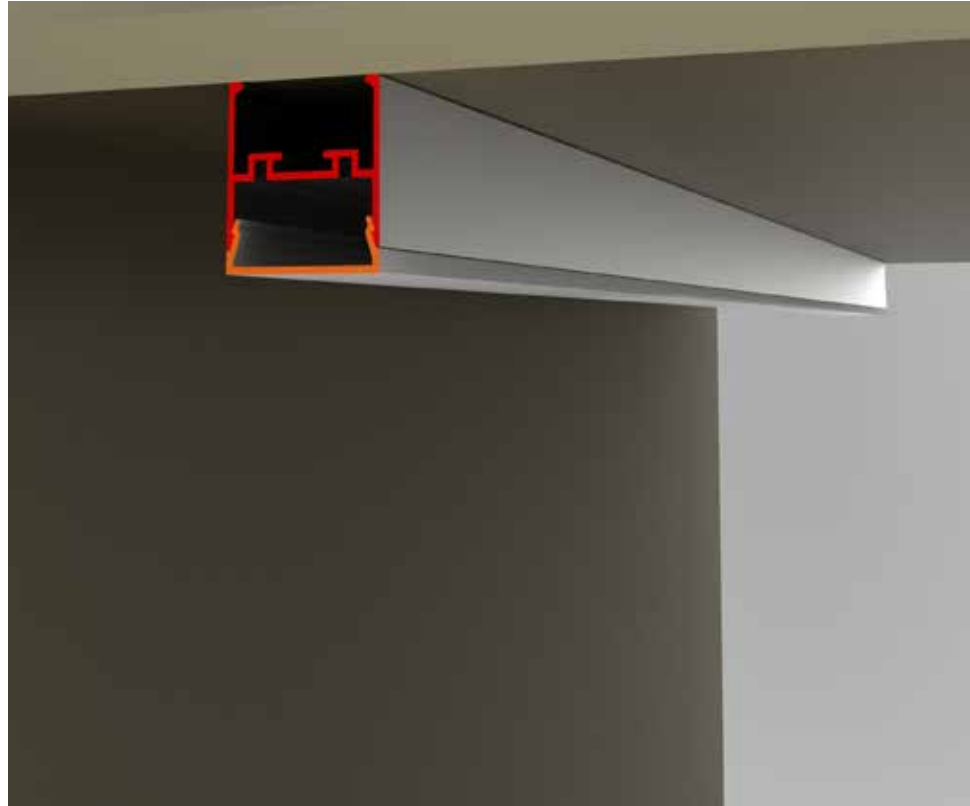
OSCAR 488



BORITI 510

PROTUT

profiles



PROFILE/ m

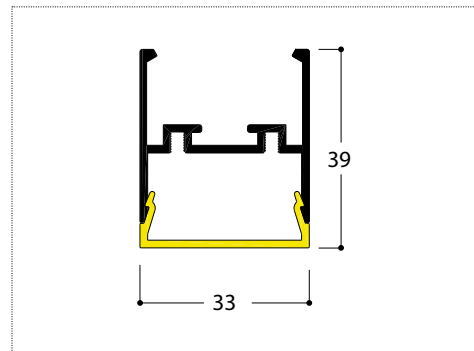


ENDCAP

TEXT. WHITE	960047
SILVER ANO	960012
TEXT. BLACK	960026

TEXT. WHITE	960147
SILVER ANO	960112
TEXT. BLACK	960126

SECTION VIEW



SNAP

FIXATION ON CEILING OR WALL

min 2 snaps per m

RED	960050
-----	--------

“Ten o'clock and still everything under control”

-Lydia Protut

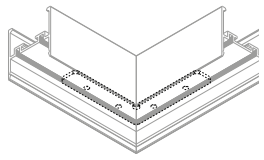




profiles

PROTUT

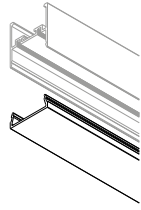
CORNER



CORNER 90°	960070
CORNER 135°	960080
CORNER 45° - 85° on request	960090

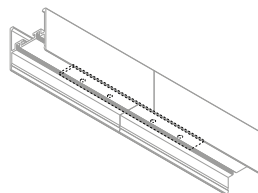
DIFFUSER/ m

○ TO BE USED IN EMPTY PROFILE SPACES

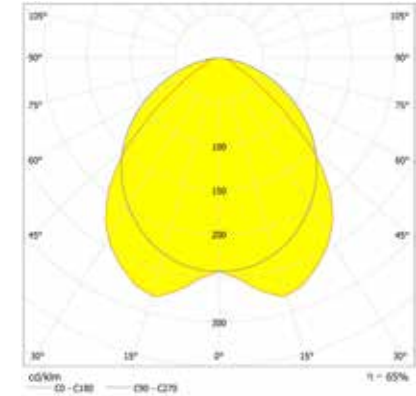


FROSTED PC	960006
------------	---------------

STRAIGHT CONNECTION



STRAIGHT CONNECTION	960060
---------------------	---------------



LEDSYSTEM HE - 2315 lm/meter



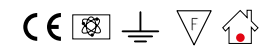
LED LAMPS	DIFFUSER	IP	2700K		3000K		4000K		POWER (W)	LENGTH /mm	LENGTH /ft
			NOT DIMM	DALI/TOUCH	NOT DIMM	DALI/TOUCH	NOT DIMM	DALI/TOUCH			
PROTUT LEDSYSTEM 2x650lm	FROSTED POLYCARBONATE	IP 40	960605	960600	960305	960300	960405	960400	7	560	2
PROTUT LEDSYSTEM 3x650lm	FROSTED POLYCARBONATE	IP 40	960615	960610	960315	960310	960415	960410	10,5	840	3
PROTUT LEDSYSTEM 4x650lm	FROSTED POLYCARBONATE	IP 40	960625	960620	960325	960320	960425	960420	14	1120	4
PROTUT LEDSYSTEM 5x650lm	FROSTED POLYCARBONATE	IP 40	960635	960630	960335	960330	960435	960430	17,5	1400	5
PROTUT LEDSYSTEM 6x650lm	FROSTED POLYCARBONATE	IP 40	960645	960640	960345	960340	960445	960440	21	1680	6

LEDSYSTEM HO - 3925 lm/meter



LED LAMPS	DIFFUSER	IP	2700K		3000K		4000K		POWER (W)	LENGTH /mm	LENGTH /ft
			NOT DIMM	DALI/TOUCH	NOT DIMM	DALI/TOUCH	NOT DIMM	DALI/TOUCH			
PROTUT LEDSYSTEM 2x1100lm	FROSTED POLYCARBONATE	IP 40	960505	960500	960105	960100	960205	960200	11,6	560	2
PROTUT LEDSYSTEM 3x1100lm	FROSTED POLYCARBONATE	IP 40	960515	960510	960115	960110	960215	960210	17,4	840	3
PROTUT LEDSYSTEM 4x1100lm	FROSTED POLYCARBONATE	IP 40	960525	960520	960125	960120	960225	960220	23,2	1120	4
PROTUT LEDSYSTEM 5x1100lm	FROSTED POLYCARBONATE	IP 40	960535	960530	960135	960130	960235	960230	29	1400	5
PROTUT LEDSYSTEM 6x1100lm	FROSTED POLYCARBONATE	IP 40	960545	960540	960145	960140	960245	960240	34,8	1680	6

INPUT VOLTAGE 230V AC





PROFILE/ m

TEXT. WHITE	960047
SILVER ANO	960012
TEXT. BLACK	960026

ENDCAP

TEXT. WHITE	960147
SILVER ANO	960112
TEXT. BLACK	960126

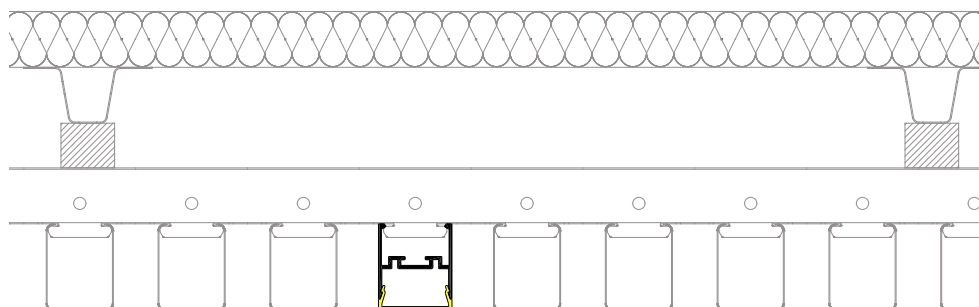
DIFFUSER/ m

TO BE USED IN EMPTY PROFILE SPACES

FROSTED PC	960006
------------	--------



FITS ON **SAPP**[®] CEILING



Protut profile by TAL is 100% compatible with the **SAPP**[®] CEILING system by **interalu**.
The profile snaps on the ceiling frame without any use of screws.





profiles

LEDSYSTEM HE - 2315 lm/meter



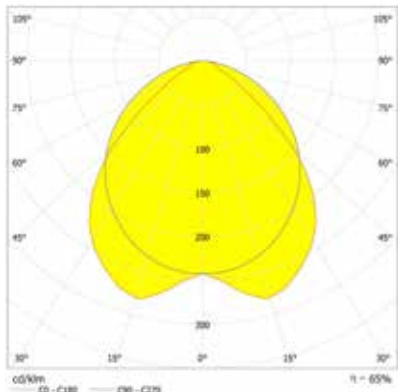
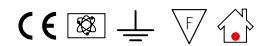
LED LAMPS	DIFFUSER	IP	2700K		3000K		4000K		POWER (W)	LENGTH /mm	LENGTH /ft
			NOT DIMM	DALI/TOUCH	NOT DIMM	DALI/TOUCH	NOT DIMM	DALI/TOUCH			
PROTUT LEDSYSTEM 3x650lm	FROSTED POLYCARBONATE	IP 40	960615	960610	960315	960310	960415	960410	10,5	840	3
PROTUT LEDSYSTEM 4x650lm	FROSTED POLYCARBONATE	IP 40	960625	960620	960325	960320	960425	960420	14	1120	4
PROTUT LEDSYSTEM 5x650lm	FROSTED POLYCARBONATE	IP 40	960635	960630	960335	960330	960435	960430	17,5	1400	5
PROTUT LEDSYSTEM 6x650lm	FROSTED POLYCARBONATE	IP 40	960645	960640	960345	960340	960445	960440	21	1680	6

LEDSYSTEM HO - 3925 lm/meter



LED LAMPS	DIFFUSER	IP	2700K		3000K		4000K		POWER (W)	LENGTH /mm	LENGTH /ft
			NOT DIMM	DALI/TOUCH	NOT DIMM	DALI/TOUCH	NOT DIMM	DALI/TOUCH			
PROTUT LEDSYSTEM 3x1100lm	FROSTED POLYCARBONATE	IP 40	960515	960510	960115	960110	960215	960210	17,4	840	3
PROTUT LEDSYSTEM 4x1100lm	FROSTED POLYCARBONATE	IP 40	960525	960520	960125	960120	960225	960220	23,2	1120	4
PROTUT LEDSYSTEM 5x1100lm	FROSTED POLYCARBONATE	IP 40	960535	960530	960135	960130	960235	960230	29	1400	5
PROTUT LEDSYSTEM 6x1100lm	FROSTED POLYCARBONATE	IP 40	960545	960540	960145	960140	960245	960240	34,8	1680	6

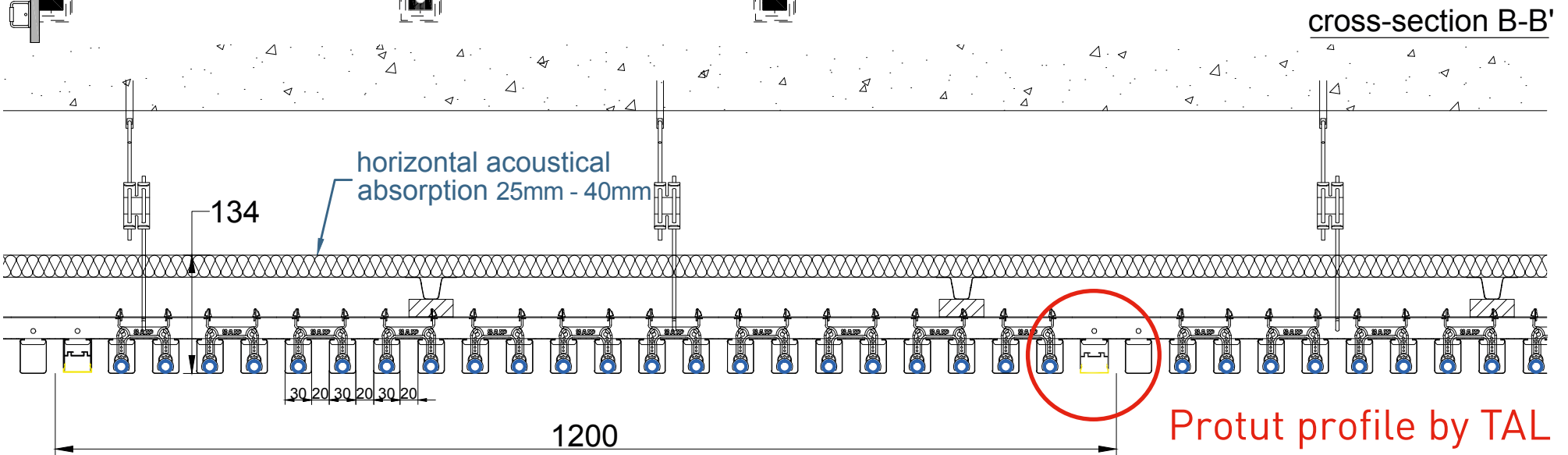
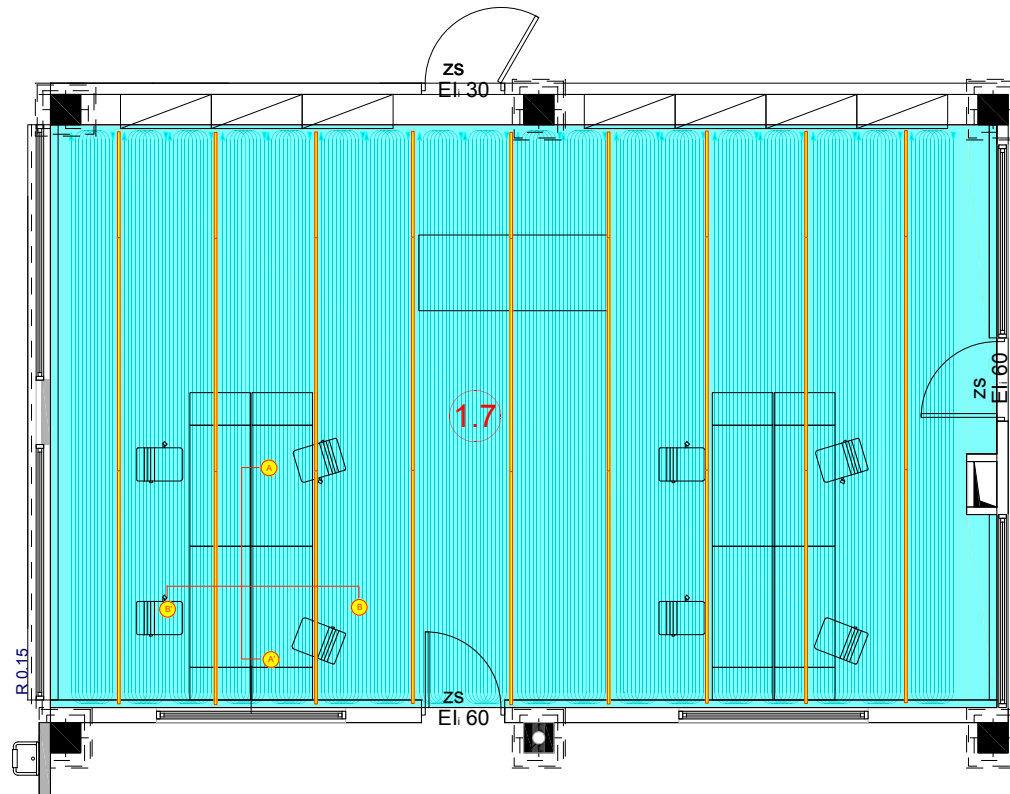
INPUT VOLTAGE 230V AC



Greater flexibility combined with the PROTUT.

A SAPP[®] ceiling is an integral system that's tailored to your space and incorporates all the required technology, such as latest LED lighting (conform ZHAGA).

This makes it flexible, eco-friendly and suitable for a wide range of architectural applications: from island ceilings to continuous ceilings, in offices, public buildings, shopping centres, transport infrastructure, and many other contexts.



profiles

PROTUT for **SAPP**[®] CEILING



SMART

Intelligent simplicity

ACOUSTIC

Excellent sound absorbency

PASSIVE

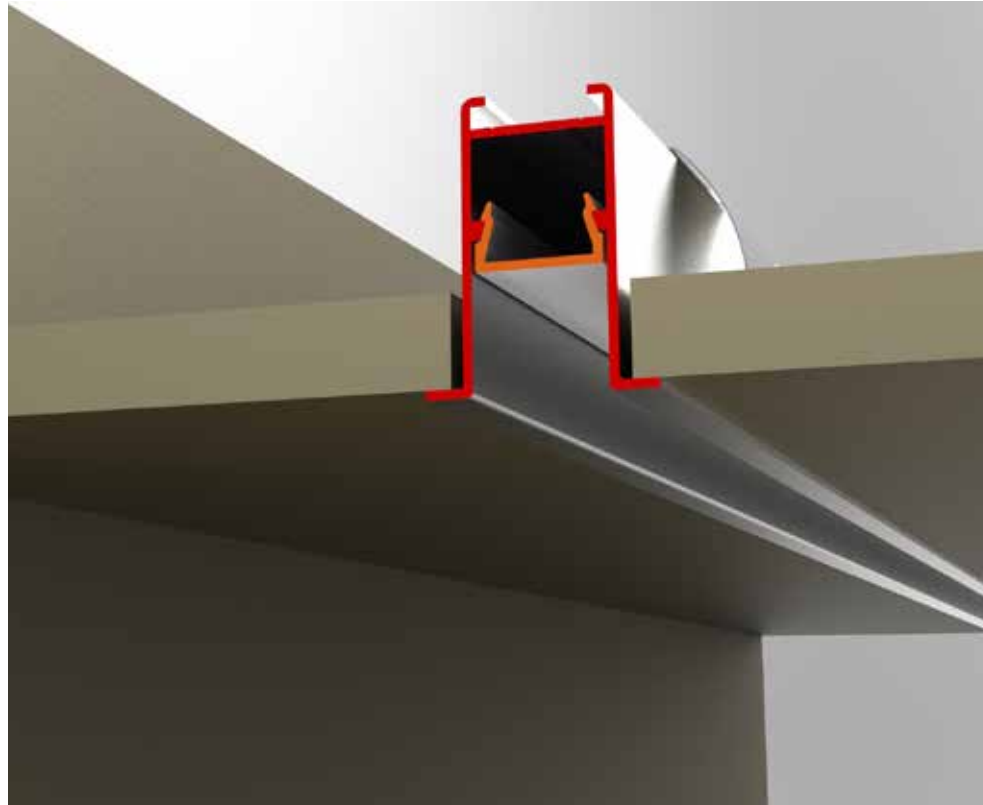
Storage of thermal energy in the concrete structure of the building through the use of night-time cooling (free chilling)

POWER

Powerful and highly efficient in lighting, cooling and heating.

TAGLIO

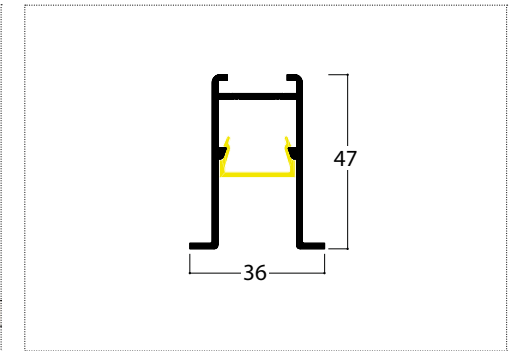
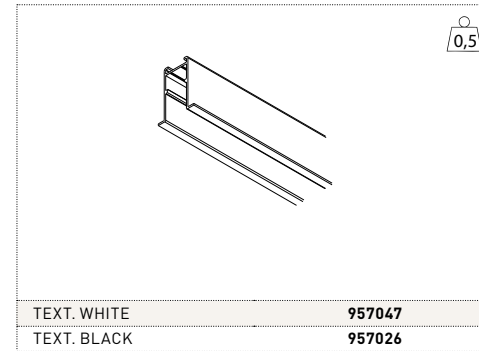
profiles



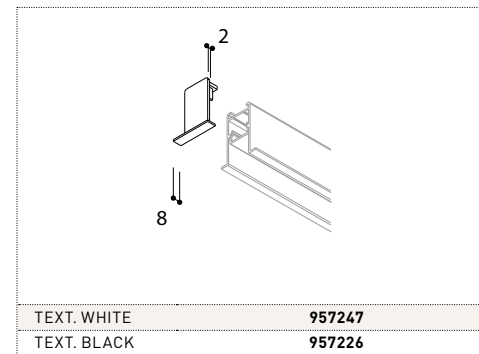
PROFILE/ m



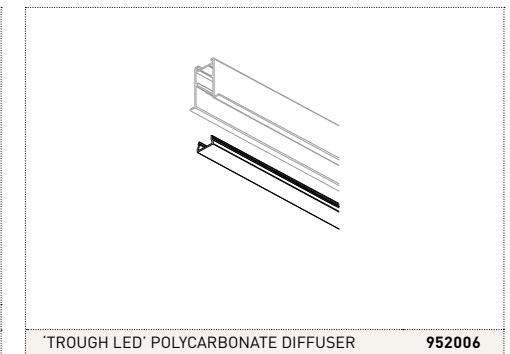
SECTION VIEW



ENDCAP



DIFFUSER



MODULE LEDLINE/M



24V DC

1000

CE, RoHS, Energy Star, IP 40, F, Home

Color Temperature	2700K		3000K		4000K		RED	AMBER	GREEN	ROYAL BLUE	RGB
	MEDIUM POWER	HIGH POWER	MEDIUM POWER	HIGH POWER	MEDIUM POWER	HIGH POWER	MEDIUM POWER	MEDIUM POWER	MEDIUM POWER	MEDIUM POWER	MEDIUM POWER
Reference	952211	952251	952221	952261	952231	952271	952410	952510	952610	952710	952800
Power	9,6W/ m	14,4W/ m	9,6W/ m	14,4W/ m	9,6W/ m	14,4W/ m	9,6W/ m	9,6W/ m	9,6W/ m	9,6W/ m	14.4W/ m
Lumen output	672 lm/ m	1010 lm/ m	710 lm/ m	1060 lm/ m	740 lm/ m	1100 lm/ m	170 lm/ m	180 lm/ m	400 lm/ m	160 lm/ m	480lm/ m
CRI	92	92	92	92	92	92	n/a	n/a	n/a	n/a	n/a
Max. length 1 powerfeed	5 metres	5 metres	5 metres	5 metres	5 metres	5 metres	5 metres	5 metres	5 metres	5 metres	5 metres
Min. cutting length	50 mm	33 mm	50 mm	33 mm	50 mm	33 mm	50 mm	50 mm	50 mm	50 mm	100 mm

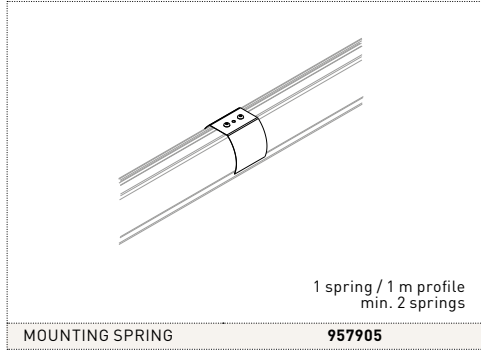
CONVERTER p.550

'TROUGH LED' POLYCARBONATE DIFFUSER INCLUDED

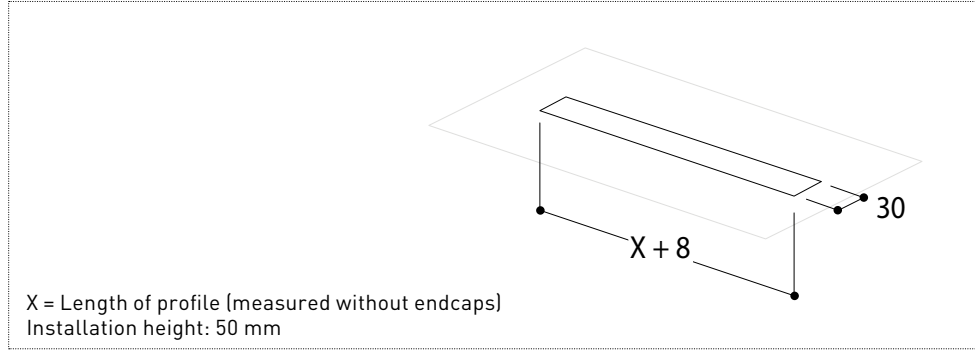
profiles

TAGLIO

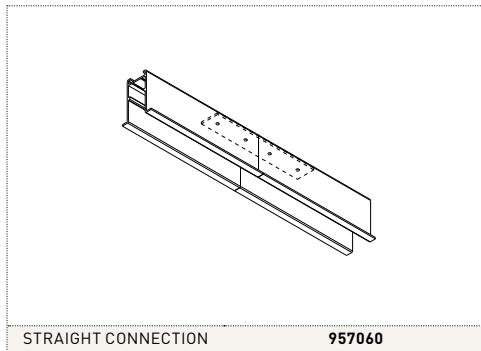
MOUNTING SPRING



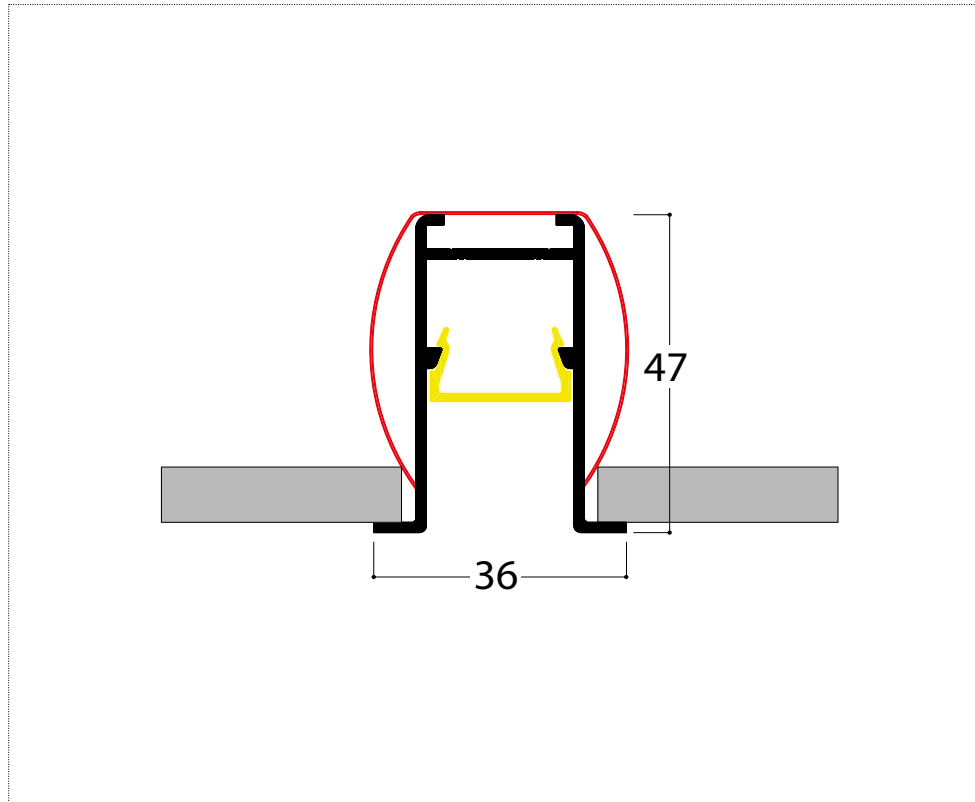
CUT OUT DIMENSIONS



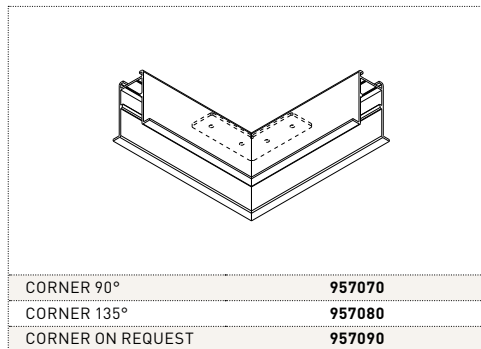
STRAIGHT CONNECTION



INSTALLATION DETAIL



CORNER









HOW TO COMPOSE TAGLIO

REQUEST CUSTOMER

SMALL RECESSED PROFILE 2 M
 FALSE CEILING
 WHITE COLOR
 LED 4000K HP 24V
 CRI >90

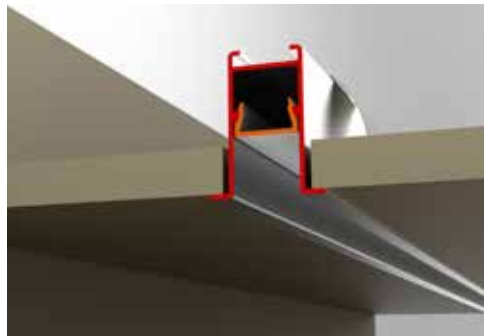
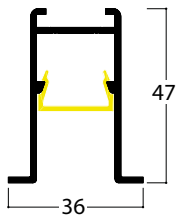
+ CONVERTOR



ORDERFORM

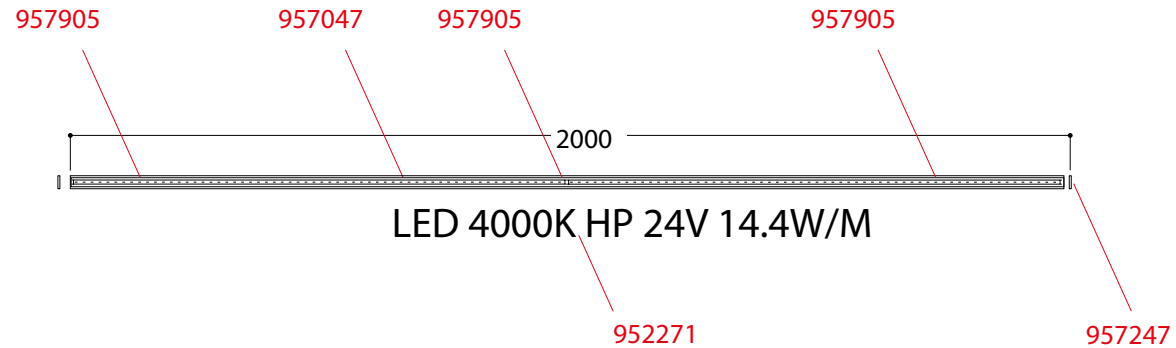
REFERENCE	DESCRIPTION	PCS / M
957047	PROFILE TEXT WHITE	2
957247	ENDCAP TEXT WHITE	2
952271	MODULE LEDLINE 4000K HP CRI 92	2
957905	MOUNTING SPRING	3
40070	CONVERTER 35W 24V	1

SECTION VIEW



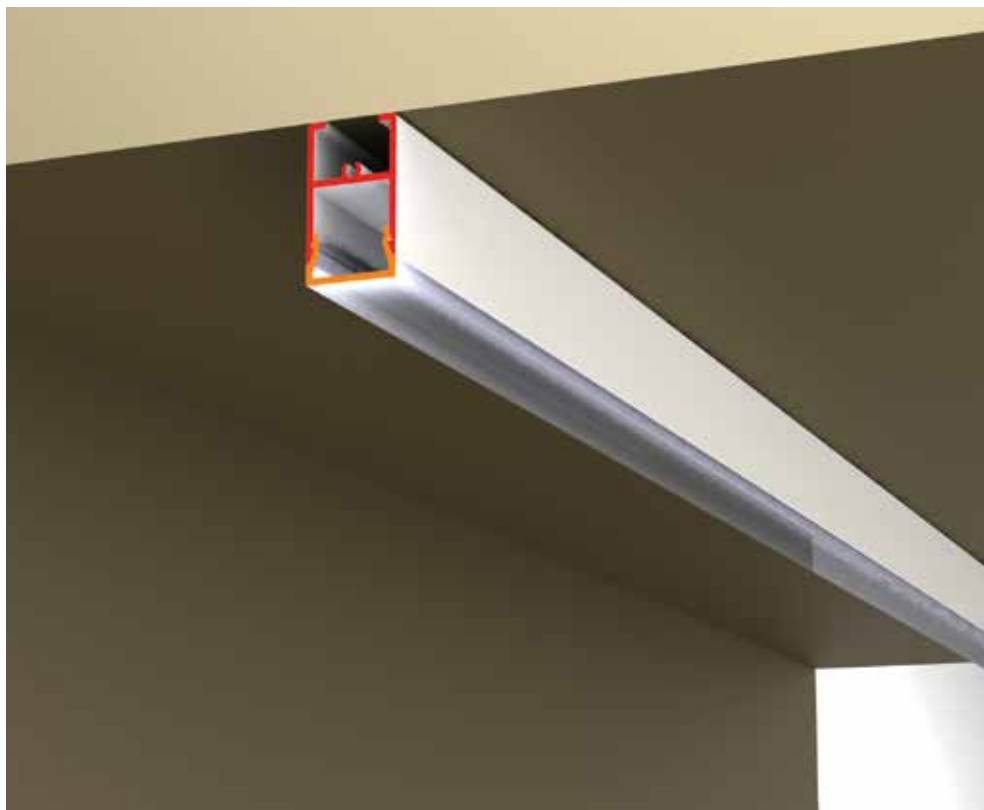
DRAWING

TOP VIEW



1U

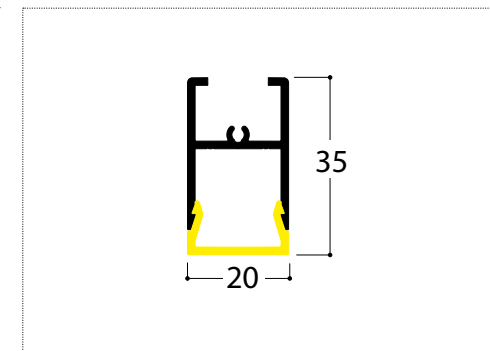
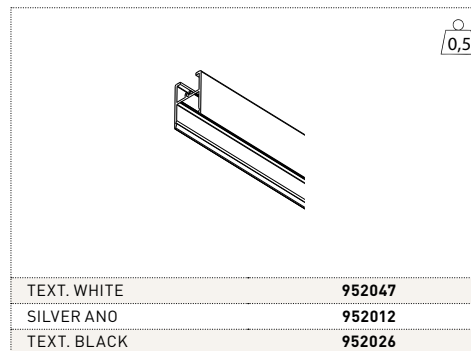
profiles



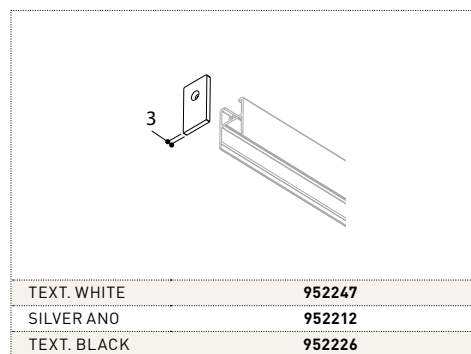
PROFILE/ m



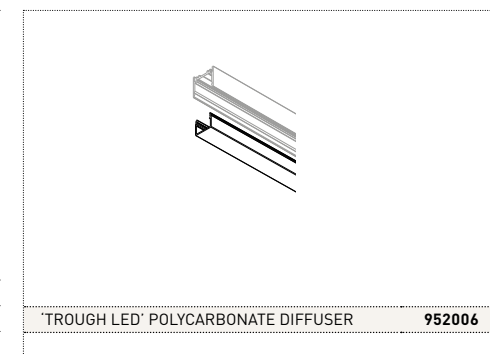
SECTION VIEW



ENDCAP

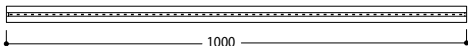








DIFFUSER



MODULE LEDLINE/M



 1000	24V DC		     								
Color Temperature	2700K		3000K		4000K		RED	AMBER	GREEN	ROYAL BLUE	RGB
	MEDIUM POWER	HIGH POWER	MEDIUM POWER	HIGH POWER	MEDIUM POWER	HIGH POWER	MEDIUM POWER	MEDIUM POWER	MEDIUM POWER	MEDIUM POWER	MEDIUM POWER
Reference	952211	952251	952221	952261	952231	952271	952410	952510	952610	952710	952800
Power	9,6W/ m	14,4W/ m	9,6W/ m	14,4W/ m	9,6W/ m	14,4W/ m	9,6W/ m	9,6W/ m	9,6W/ m	9,6W/ m	14.4W/ m
Lumen output	672 lm/ m	1010 lm/ m	710 lm/ m	1060 lm/ m	740 lm/ m	1100 lm/ m	170 lm/ m	180 lm/ m	400 lm/ m	160 lm/ m	480lm/ m
CRI	92	92	92	92	92	92	n/a	n/a	n/a	n/a	n/a
Max. length 1 powerfeed	5 metres	5 metres	5 metres	5 metres	5 metres	5 metres	5 metres	5 metres	5 metres	5 metres	5 metres
Min. cutting length	50 mm	33 mm	50 mm	33 mm	50 mm	33 mm	50 mm	50 mm	50 mm	50 mm	100 mm

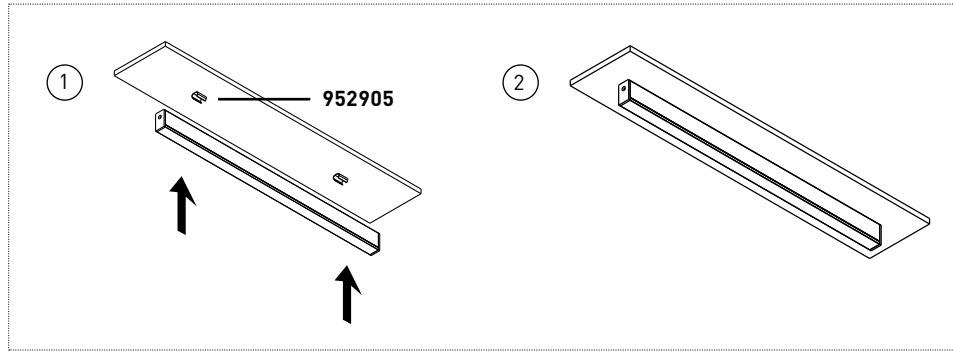
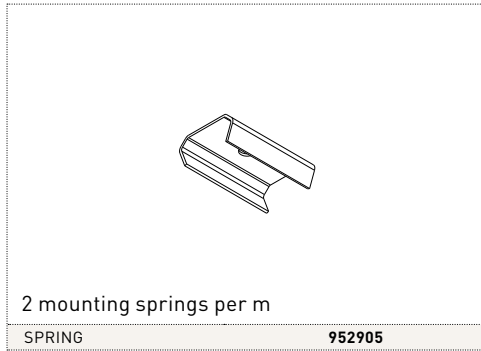
CONVERTER p.550

'TROUGH LED' POLYCARBONATE DIFFUSER INCLUDED

profiles

1U

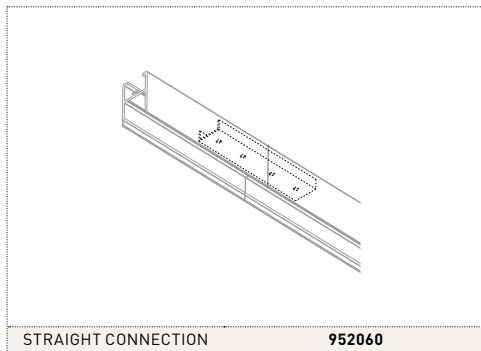
MOUNTING SPRINGS FOR SURFACE INSTALLATION



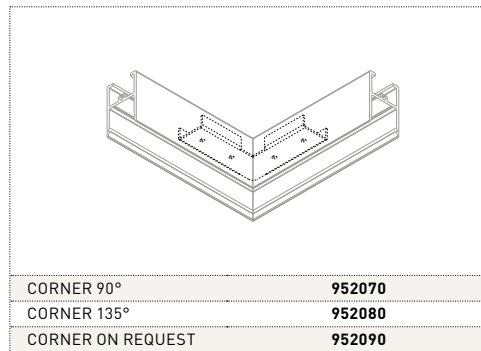
1U ANO 3000K HO



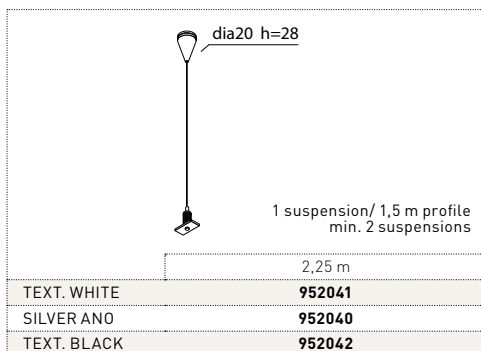
STRAIGHT CONNECTION



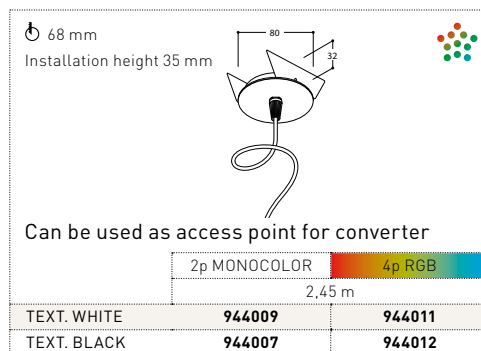
CORNER



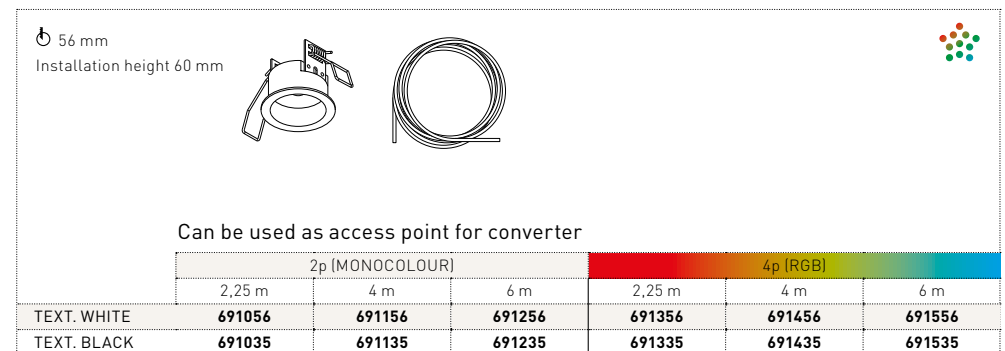
SUSPENSION SINGLE



CONNECTION SET ROUND (recessed)



CONNECTION SET KOSMOS (recessed)

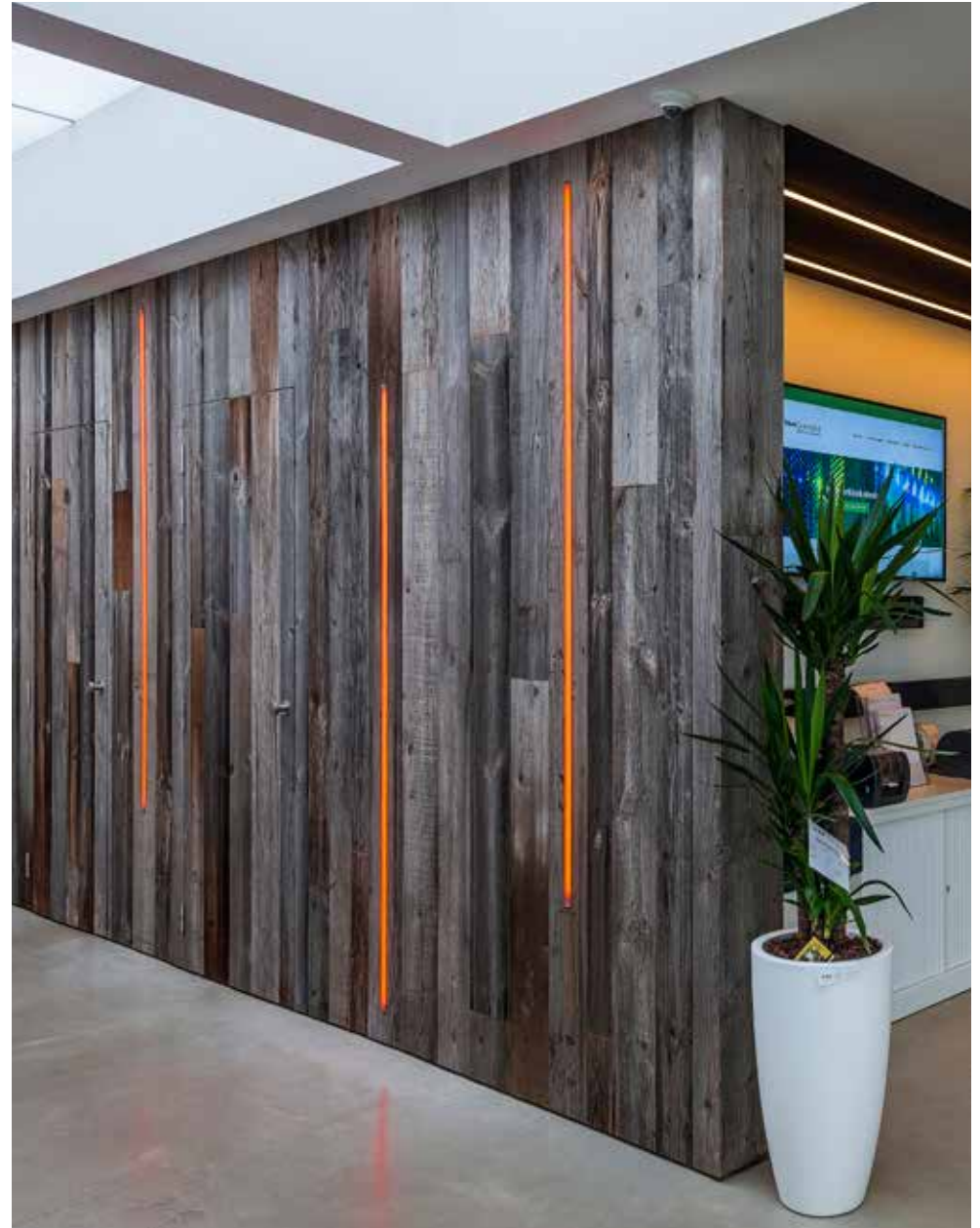






1U

profiles



REQUEST CUSTOMER

SLIM PROFILE 2 M
 WHITE COLOR
 LED 2700K HP 24V
 INSTALLED ON CEILING

+ CONVERTER

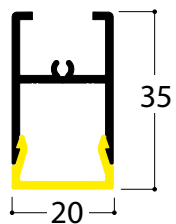


ORDERFORM

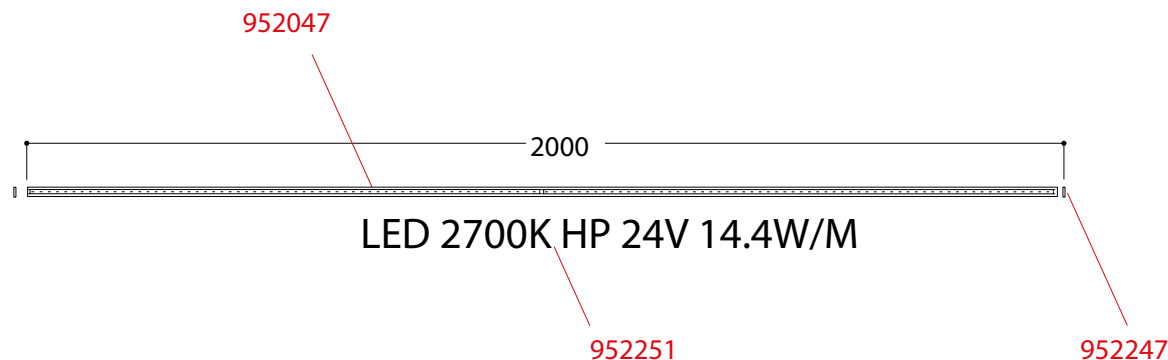
REFERENCE	DESCRIPTION	PCS / M
952047	PROFILE TEXT WHITE	2
952247	ENDCAP TEXT WHITE	2
952251	MODULE LEDLINE 2700 HP	2
952905	MOUNTING SPRING	3
40070	CONVERTER 35W 24V	1

DRAWING

SECTION VIEW

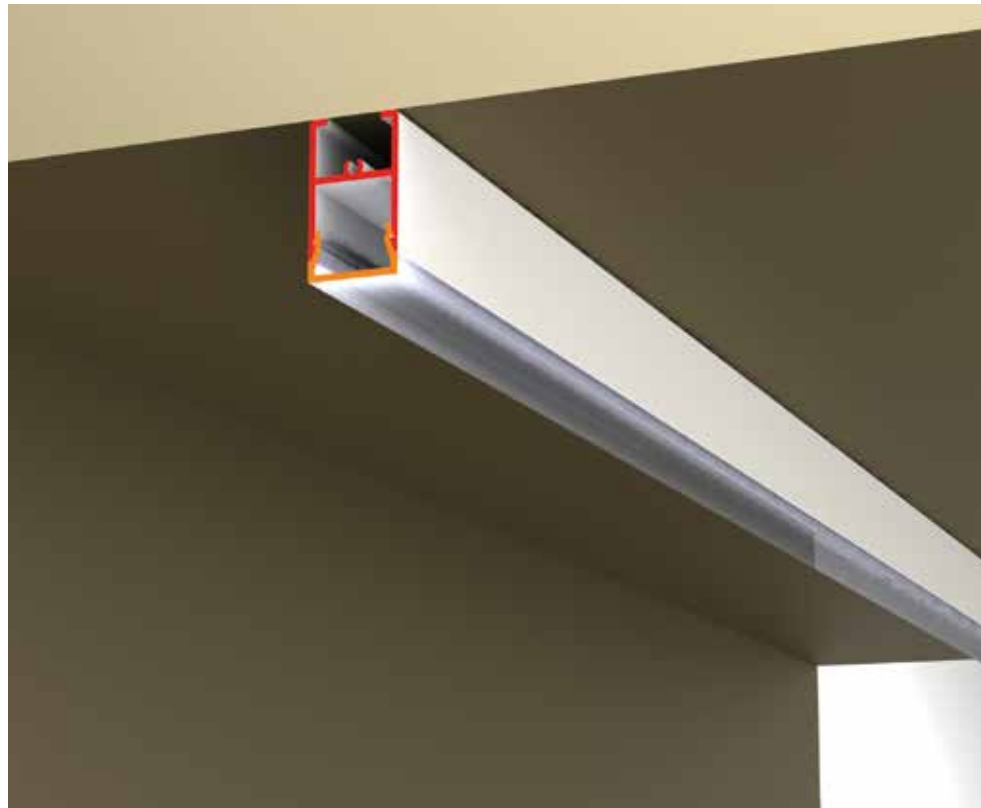


TOP VIEW



1U IP65

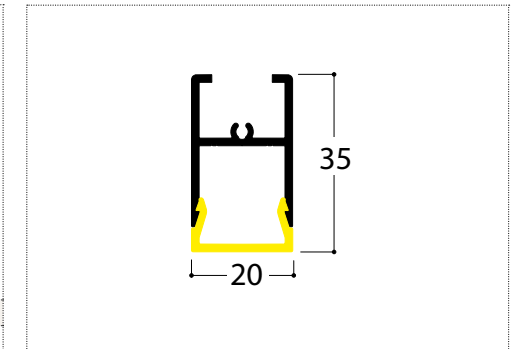
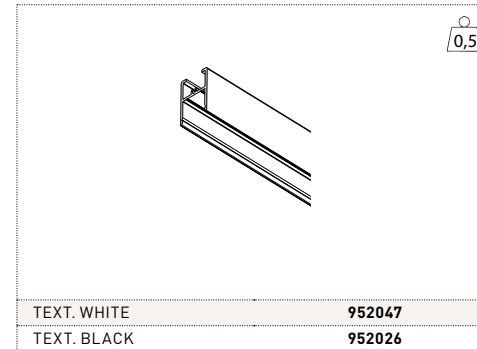
profiles



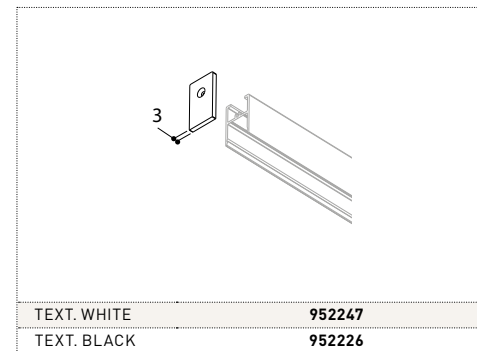
PROFILE/ m



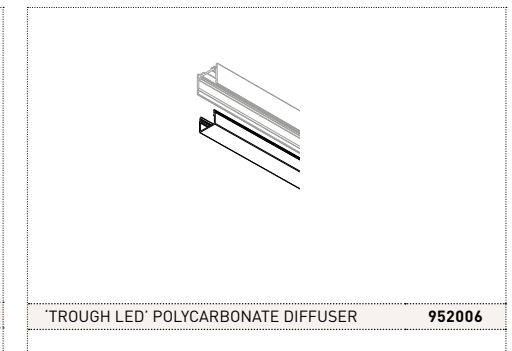
SECTION VIEW



ENDCAP



DIFFUSER



MODULE LEDLINE/M



	24V DC				
Color Temperature	3400K*		4000K*		RGB*
	MEDIUM POWER	HIGH POWER	MEDIUM POWER	HIGH POWER	MEDIUM POWER
Reference	952213	952253	952223	952263	952813
Power	9,6W/ m	14,4W/ m	9,6W/ m	14,4W/ m	14,4W/ m
Lumen output	672 lm/ m	1010 lm/ m	710 lm/ m	1060 lm/ m	480lm/ m
CRI	92	92	92	92	n/a
Max. length 1 powerfeed	5 metres	5 metres	5 metres	5 metres	5 metres
Min. cutting length	50 mm	33 mm	50 mm	33 mm	100 mm

CONVERTER p.550

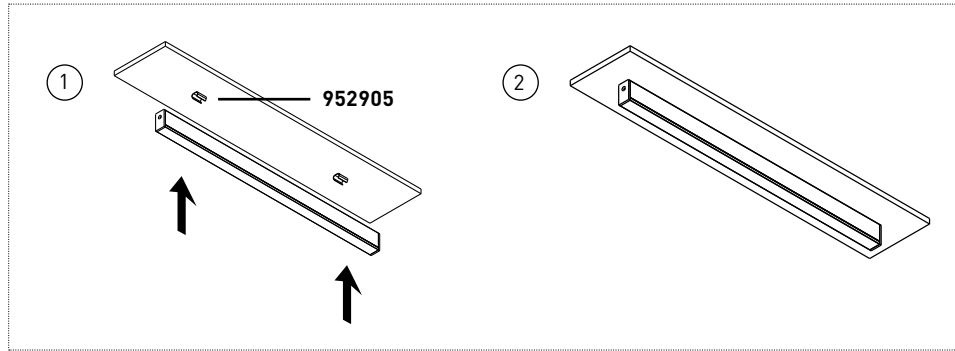
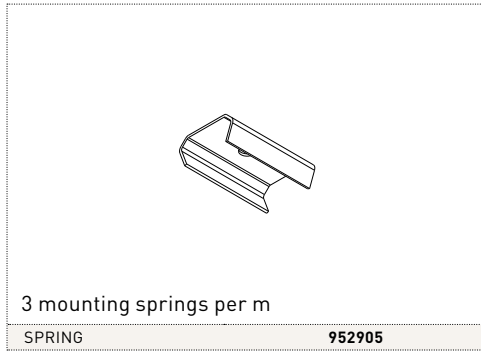
*slightly differences in colour temperature can occure due to resin

'TROUGH LED' POLYCARBONATE DIFFUSER INCLUDED

profiles

1U IP65

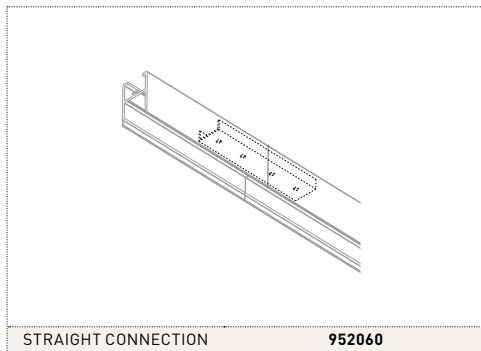
MOUNTING SPRINGS FOR SURFACE INSTALLATION



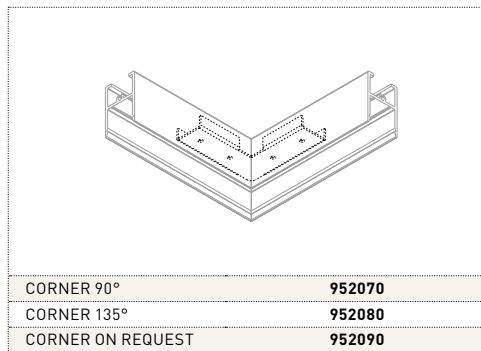
1U ANO 3000K H0



STRAIGHT CONNECTION



CORNER



1U IP65

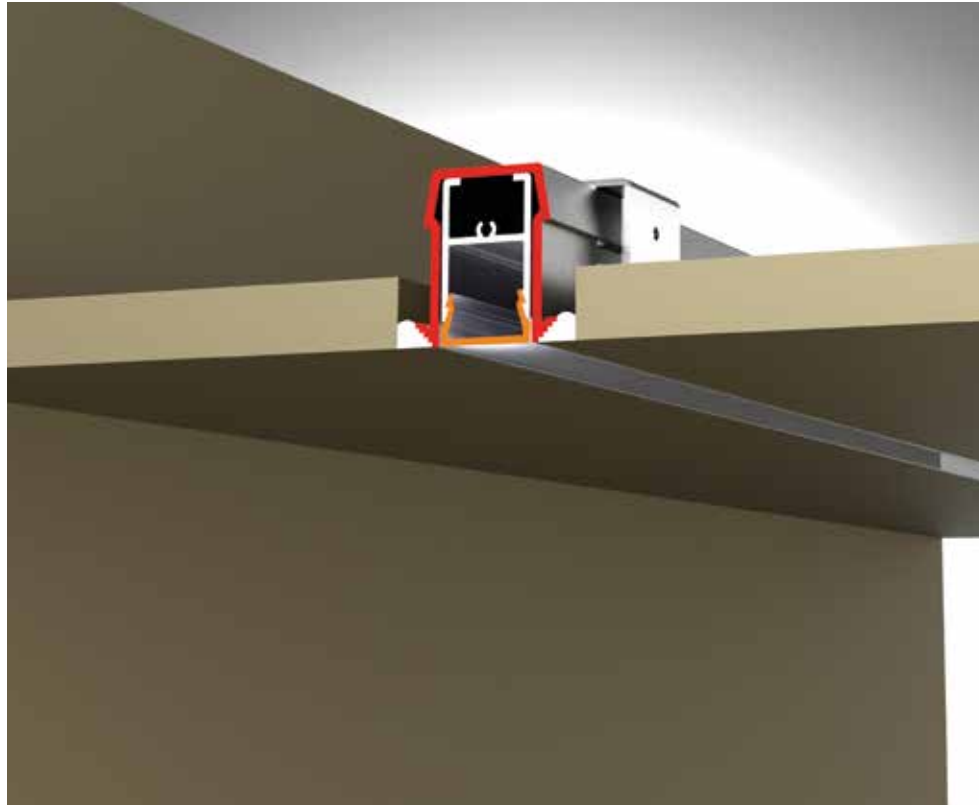
profiles





1U FLUSH

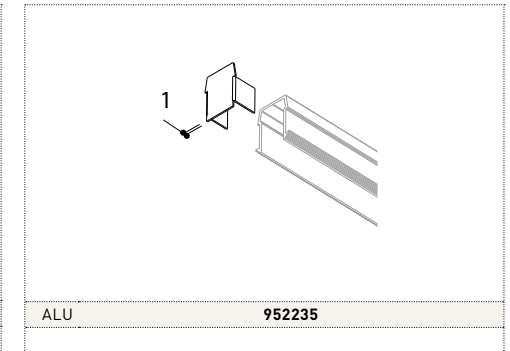
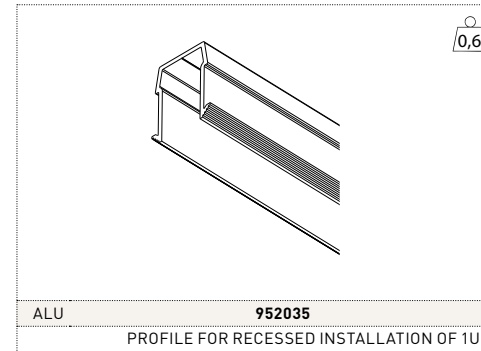
profiles



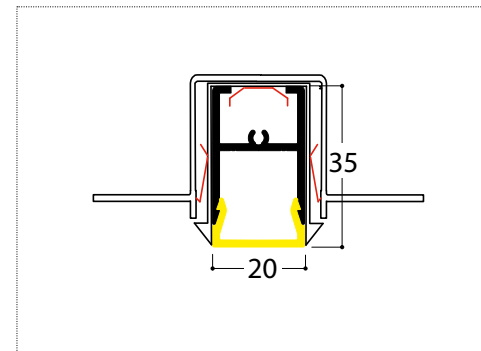
PLASTER PROFILE/ m



ENDCAP FOR PLASTER PROFILE



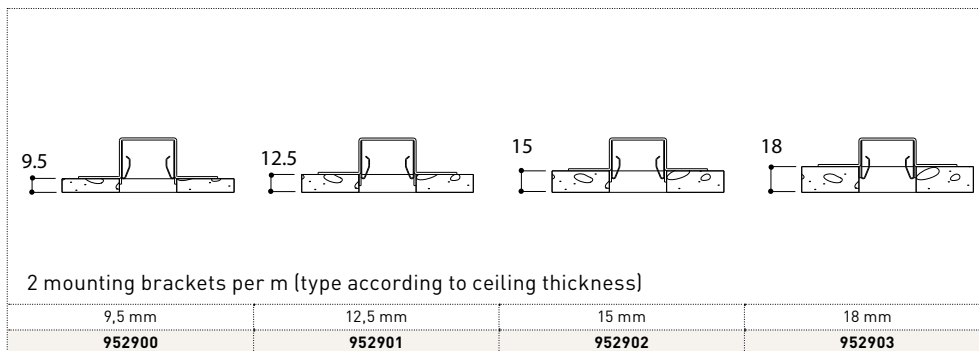
SECTION VIEW



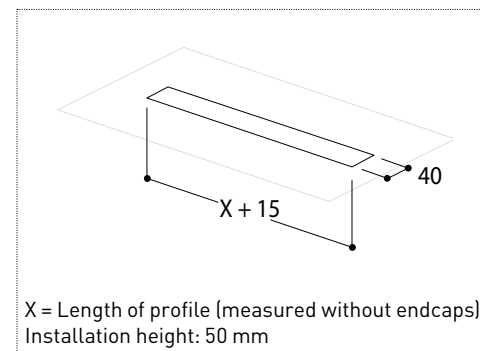
1U RECESSED 3000K H0



MOUNTING BRACKETS FOR RECESSED INSTALLATION



CUT OUT DIMENSIONS



PLASTERPROFILE

- 1U profile to be added
- see installation manual for installation tolerances







1U WALL

profiles



PROFILE/ m

TEXTURED WHITE	955047
TEXTURED BACK	955026
SILVER ANO	955012

SECTION VIEW

ENDCAP LEFT

TEXTURED WHITE	955248
TEXTURED BACK	955227
SILVER ANO	955213

ENDCAP RIGHT

TEXTURED WHITE	955247
TEXTURED BACK	955226
SILVER ANO	955212

MODULE LEDLINE/M



	2700K		3000K		4000K		RED	AMBER	GREEN	ROYAL BLUE	RGB
	MEDIUM POWER	HIGH POWER	MEDIUM POWER	HIGH POWER	MEDIUM POWER	HIGH POWER	MEDIUM POWER	MEDIUM POWER	MEDIUM POWER	MEDIUM POWER	MEDIUM POWER
Reference	952211	952251	952221	952261	952231	952271	952410	952510	952610	952710	952800
Power	9,6W/ m	14,4W/ m	9,6W/ m	14,4W/ m	9,6W/ m	14,4W/ m	9,6W/ m	9,6W/ m	9,6W/ m	9,6W/ m	14.4W/ m
Lumen output	672 lm/ m	1010 lm/ m	710 lm/ m	1060 lm/ m	740 lm/ m	1100 lm/ m	170 lm/ m	180 lm/ m	400 lm/ m	160 lm/ m	480lm/ m
CRI	92	92	92	92	92	92	n/a	n/a	n/a	n/a	n/a
Max. length 1 powerfeed	5 metres	5 metres	5 metres	5 metres	5 metres	5 metres	5 metres	5 metres	5 metres	5 metres	5 metres
Min. cutting length	50 mm	33 mm	50 mm	33 mm	50 mm	33 mm	50 mm	50 mm	50 mm	50 mm	100 mm

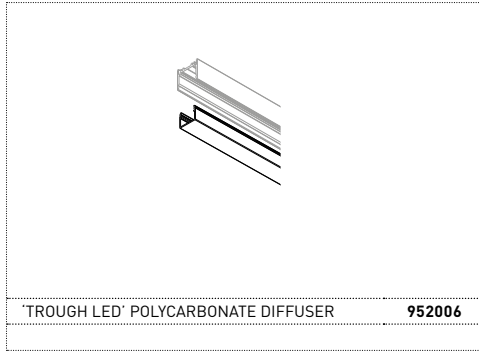
CONVERTER p.550

TROUGH LED POLYCARBONATE DIFFUSER INCLUDED

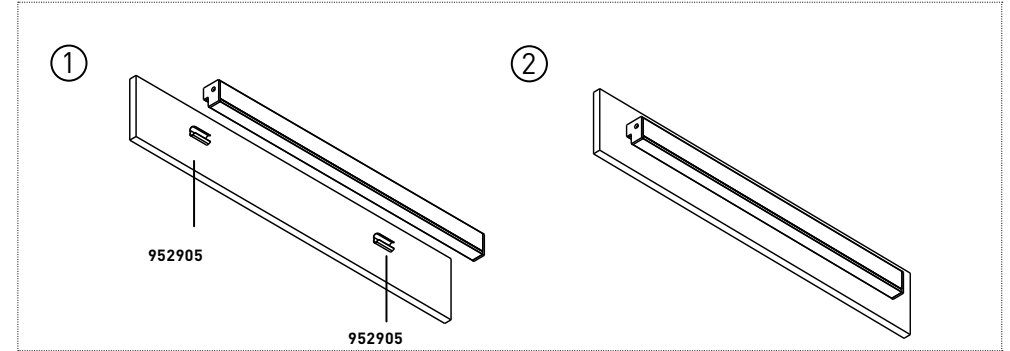
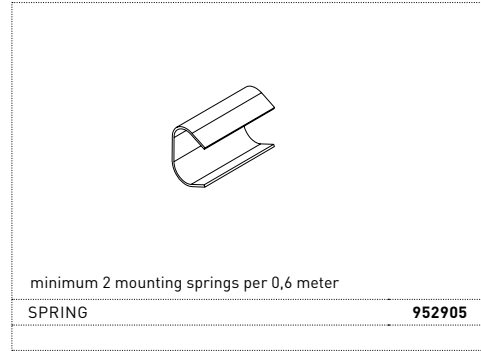
profiles

1U WALL

DIFFUSER



MOUNTING SPRINGS FOR SURFACE INSTALLATION

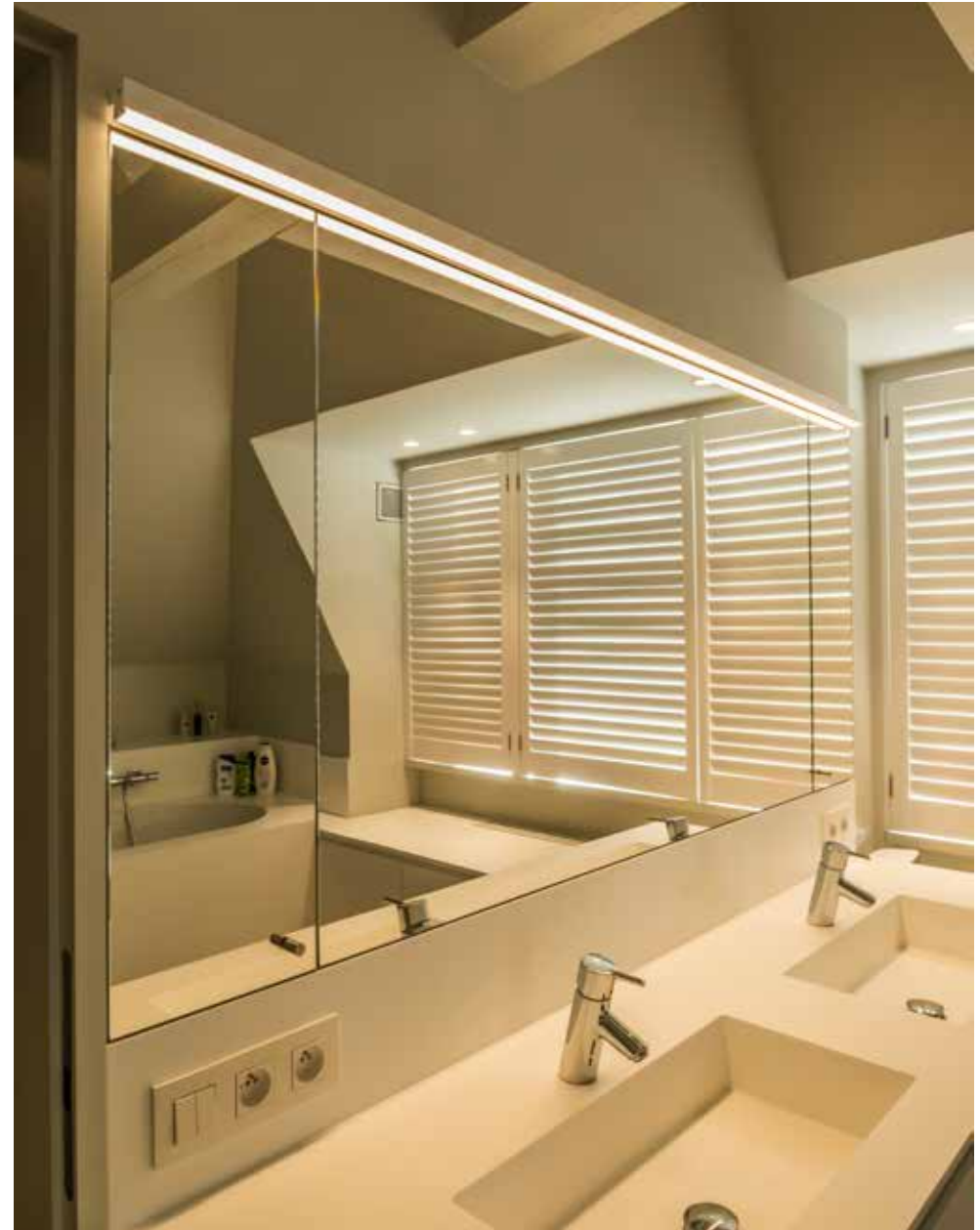
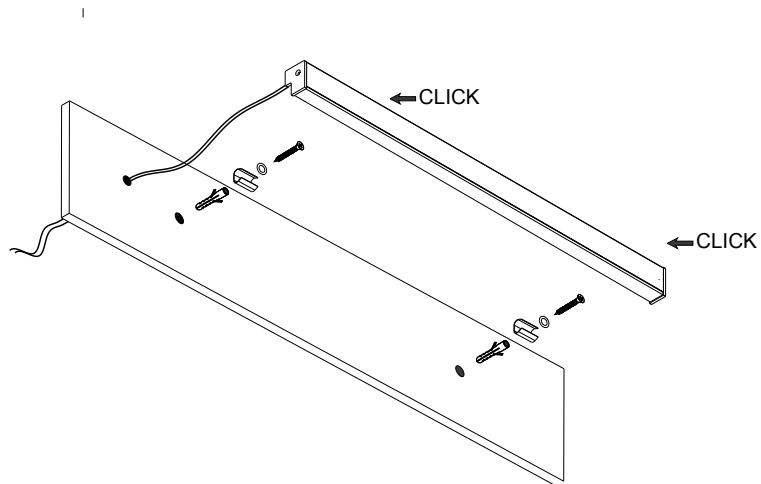


1U WALL

profiles

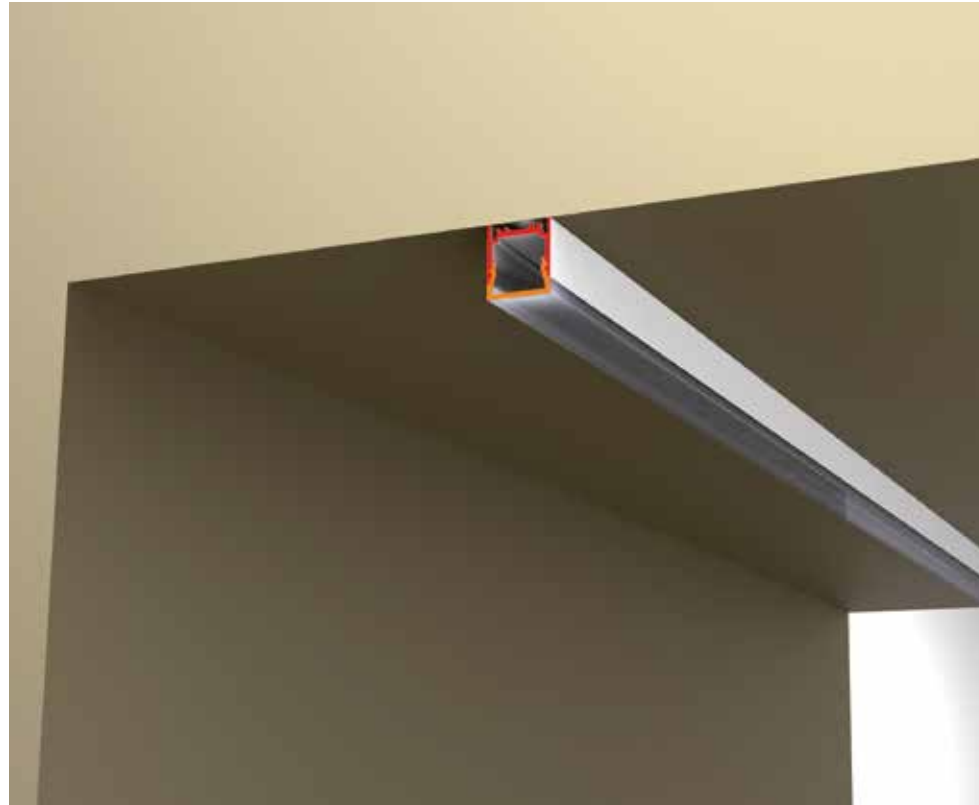
INSTALLATION

- ① Fix the mounting springs with the correct plugs and washer on the wall. Make sure they are carefully lined up. 2 mounting springs per 0.6 meter.



1U SLIM

profiles



PROFILE/ m

Max. length in combination with ledline = 5 metres

TEXTURED WHITE	954047
TEXTURED BLACK	954026
SILVER ANO	954012

END CAP

TEXTURED WHITE	954247
TEXTURED BLACK	954226
SILVER ANO	954212

END CAP FOR SIDE ENTRY

TEXTURED WHITE	954347
TEXTURED BLACK	954326
SILVER ANO	954312

DIFFUSER

'TROUGH LED' POLYCARBONATE DIFFUSER	952006
-------------------------------------	--------

MODULE LEDLINE/M

24V DC

1000

CE, RoHS, Energy Star, IP 40, F, HomePlug

Color Temperature	2700K		3000K		4000K		RED	AMBER	GREEN	ROYAL BLUE	RGB
	MEDIUM POWER	HIGH POWER	MEDIUM POWER	HIGH POWER	MEDIUM POWER	HIGH POWER	MEDIUM POWER	MEDIUM POWER	MEDIUM POWER	MEDIUM POWER	MEDIUM POWER
Reference	952211	952251	952221	952261	952231	952271	952410	952510	952610	952710	952800
Power	9,6W/ m	14,4W/ m	9,6W/ m	14,4W/ m	9,6W/ m	14,4W/ m	9,6W/ m	9,6W/ m	9,6W/ m	9,6W/ m	14.4W/ m
Lumen output	672 lm/ m	1010 lm/ m	710 lm/ m	1060 lm/ m	740 lm/ m	1100 lm/ m	170 lm/ m	180 lm/ m	400 lm/ m	160 lm/ m	480lm/ m
CRI	92	92	92	92	92	92	n/a	n/a	n/a	n/a	n/a
Max. length 1 powerfeed	5 metres	5 metres	5 metres	5 metres	5 metres	5 metres	5 metres	5 metres	5 metres	5 metres	5 metres
Min. cutting length	50 mm	33 mm	50 mm	33 mm	50 mm	33 mm	50 mm	50 mm	50 mm	50 mm	100 mm

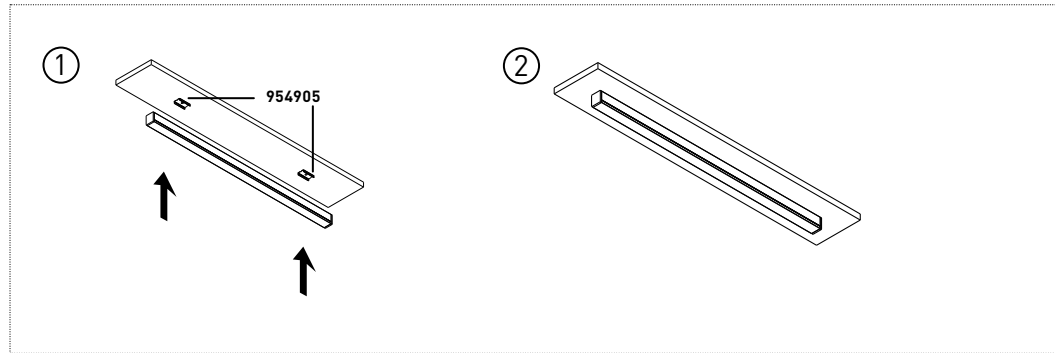
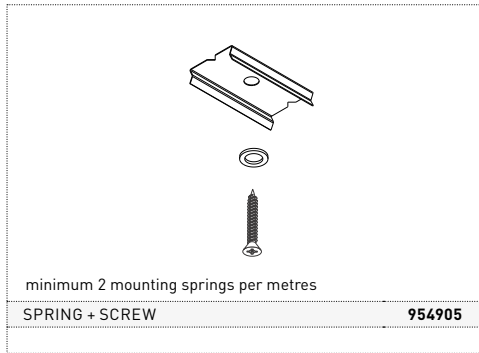
CONVERTER p.550

'TROUGH LED' POLYCARBONATE DIFFUSER INCLUDED

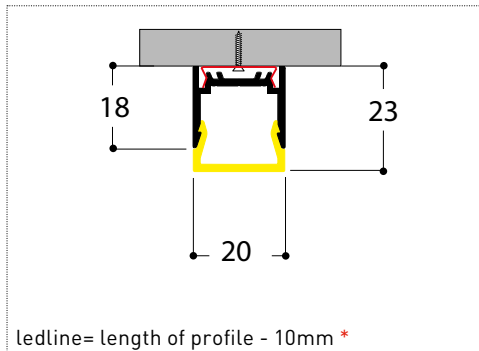
profiles

1U SLIM

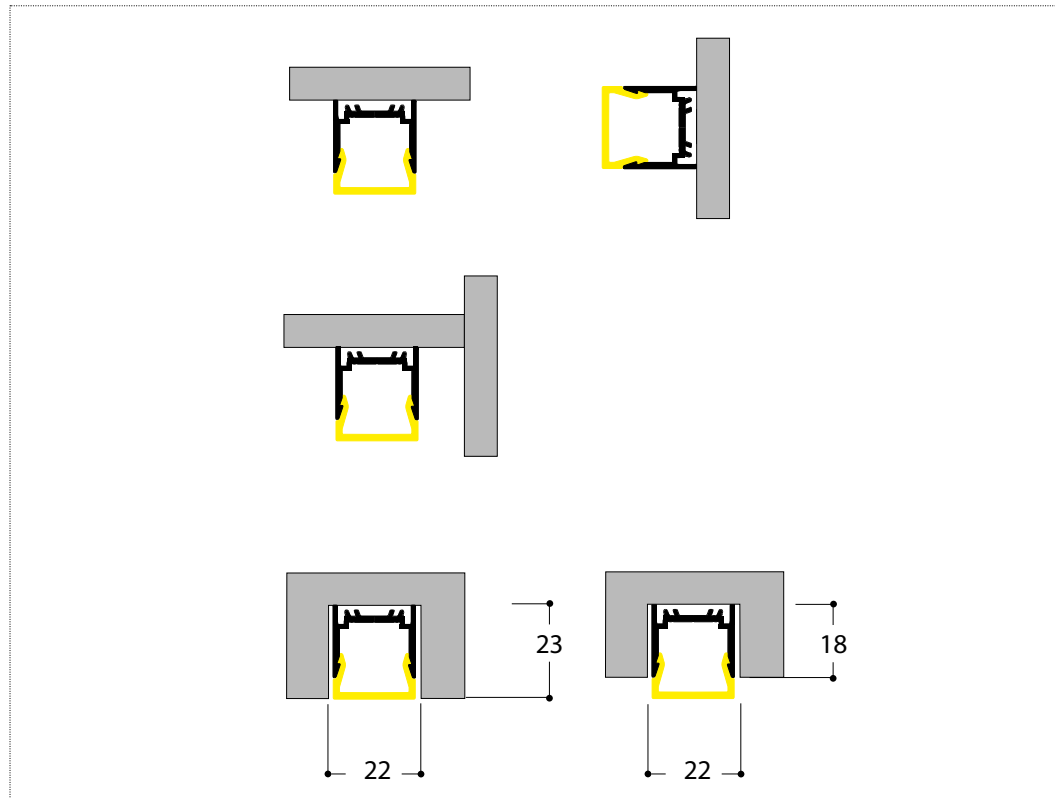
MOUNTING SPRINGS FOR SURFACE INSTALLATION



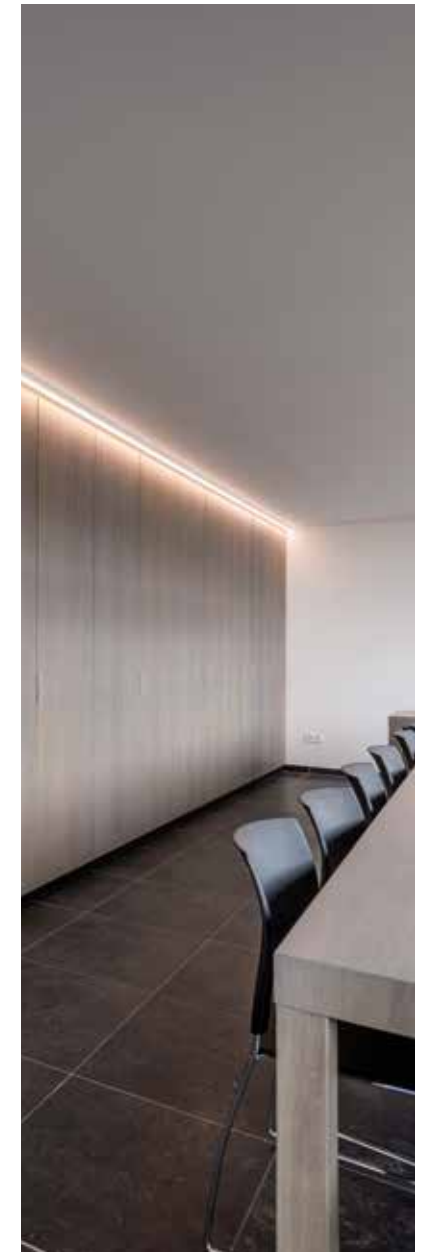
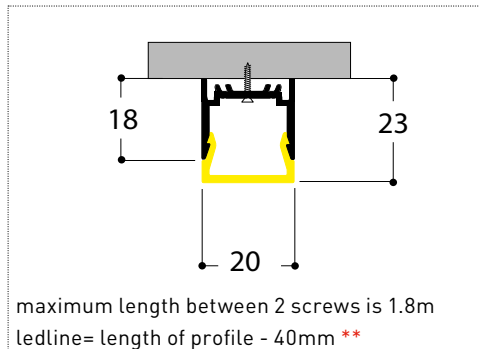
SECTION VIEW WITH SPRINGS



MULTIPLE POSSIBILITIES



SECTION VIEW WITHOUT SPRINGS



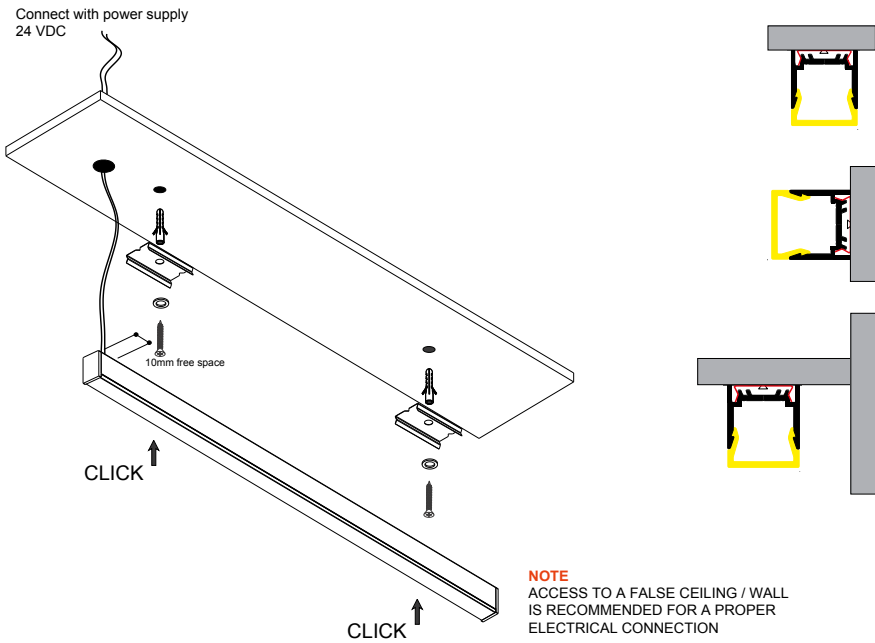
1U SLIM

profiles

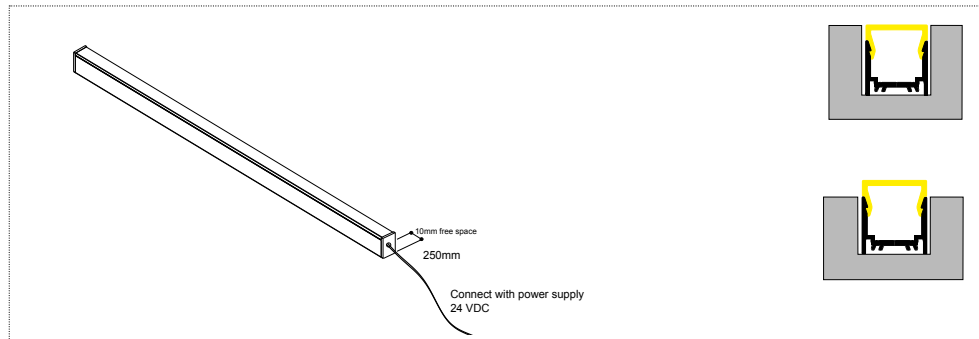
A. INSTALLATION WITH SPRINGS

RECOMMENDED FOR HOLLOW CEILING, WALL OR CABINET

- Fix the mounting springs with the correct plugs + washers to the ceiling. Make sure they are carefully lined up. Min. 2 mounting springs per meter.
- Connect power supply with 1U SLIM in the false ceiling or wall.



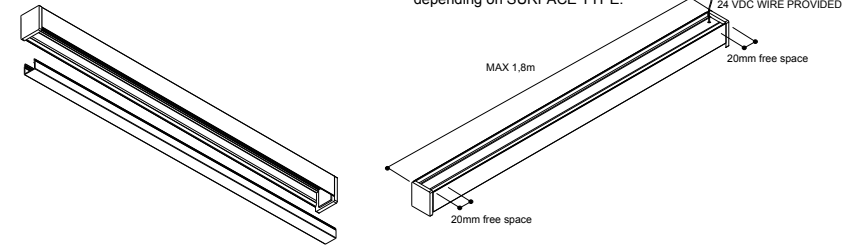
B. INSTALLATION FOR COVE LIGHTING



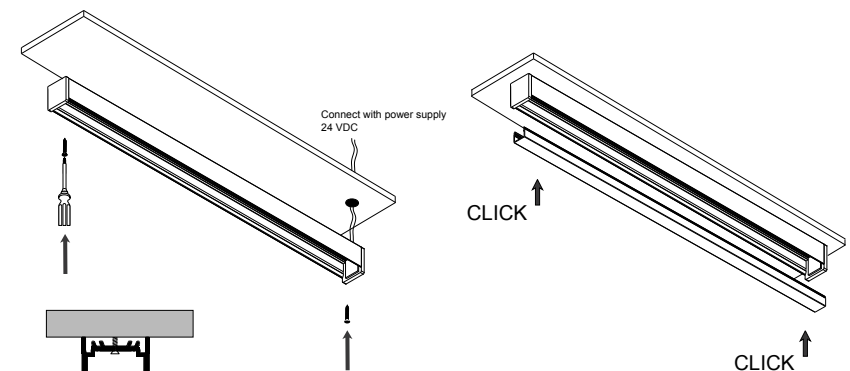
C. INSTALLATION WITHOUT SPRINGS

ONLY FOR HOLLOW CEILING, WALL OR CABINET

- REMOVE DIFFUSER.
- DRILL HOLES FOR MOUNTING. 20mm free space is provided at the end of both sides of the profile. Recommended screws, plug and drill hole dimensions depending on SURFACE TYPE.



- FIXATION ON CEILING OR WALL AND ELECTRICAL CONNECTION
- SNAP DIFFUSER ON THE PROFILE



NOTE
ACCESS TO A FALSE CEILING / WALL IS RECOMMENDED FOR A PROPER ELECTRICAL CONNECTION

profiles

1U SLIM

1U SLIM ANO 2700K



1U SLIM ANO 3000K



1U SLIM ANO 4000K

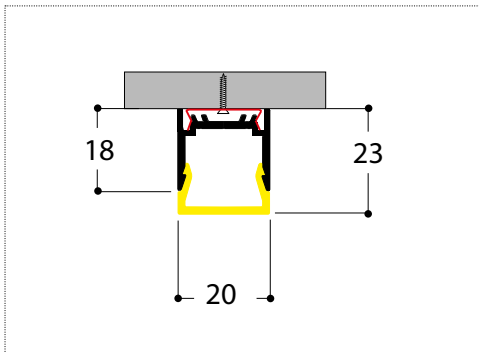




HOW TO COMPOSE 1U SLIM

REQUEST CUSTOMER
VERY SLIM PROFILE APPROX. 2M
BLACK COLOR
WARM WHITE (RESIDENTIAL)
CEILING MOUNTED
+ CONVERTER (REMOTE)

SECTION VIEW

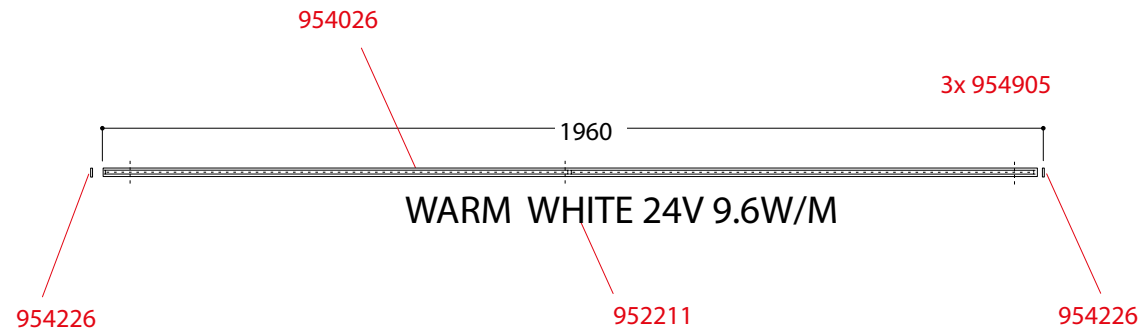


ORDERFORM

REFERENCE	DESCRIPTION	PCS / M
954026	1U SLIM PROFILE TEXTURED BLACK	1,96
952211	LEDLINE 2700K MEDIUM POWER	1,95
952210	ENDCAP TEXTURED BLACK	2
954905	MOUNTING SPRING	3
952006	DIFFUSER	0,01
40057	CONVERTER 230V 24V 20VA	1

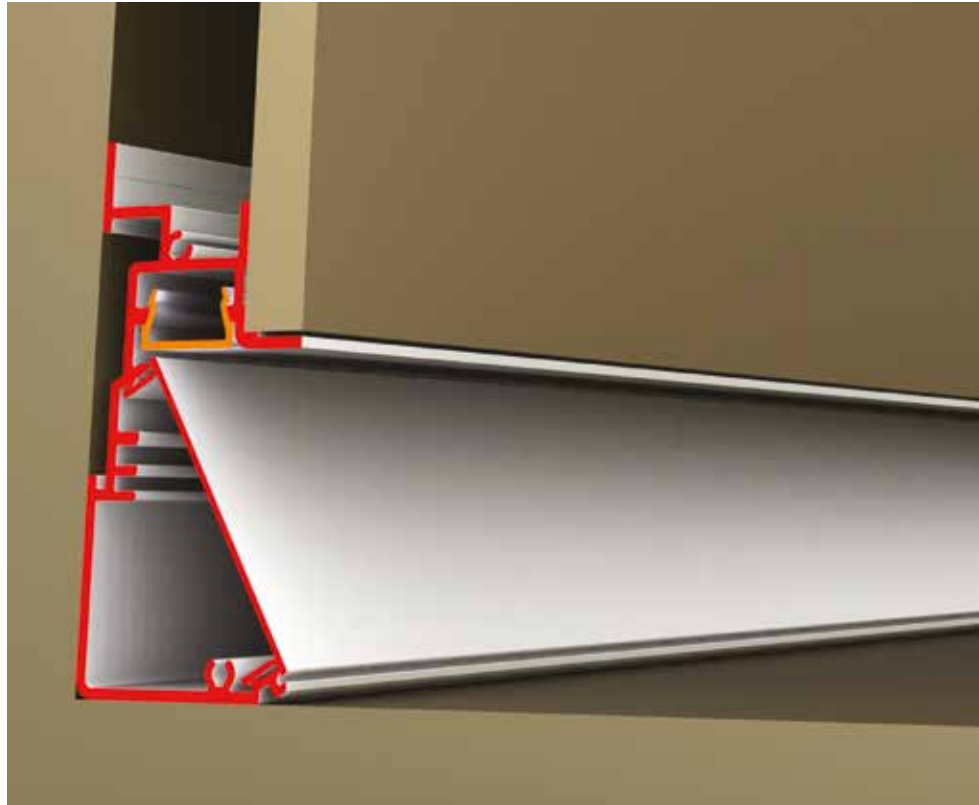
DRAWING

TOP VIEW

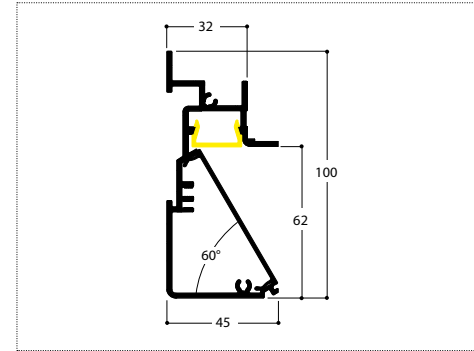


DUCTOR

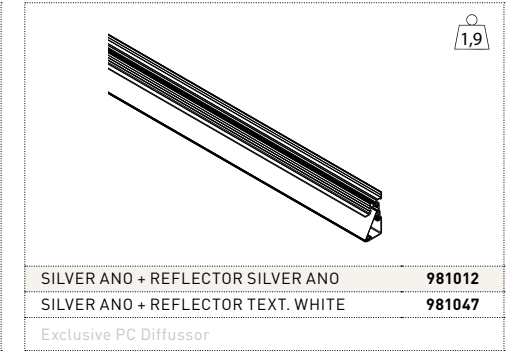
profiles



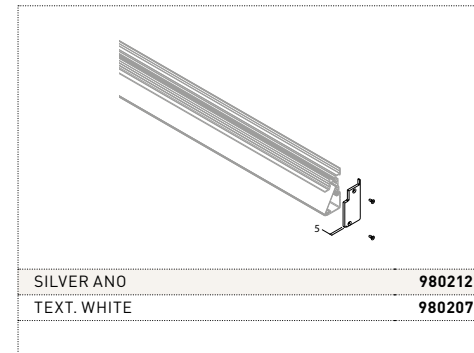
SECTION VIEW



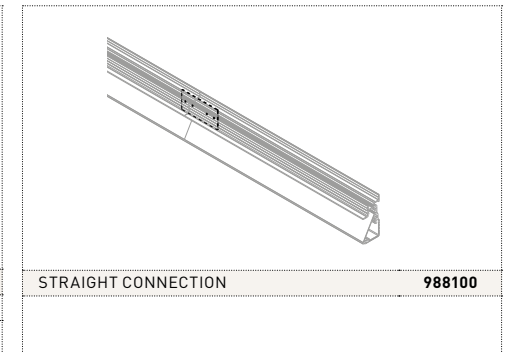
PROFILE/ m



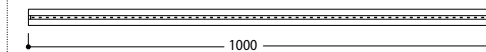
END CAP



STRAIGHT CONNECTION



MODULE LEDLINE/M



24V DC



Color Temperature	2700K		3000K		4000K		RED	AMBER	GREEN	ROYAL BLUE	RGB
	MEDIUM POWER	HIGH POWER	MEDIUM POWER	HIGH POWER	MEDIUM POWER	HIGH POWER	MEDIUM POWER	MEDIUM POWER	MEDIUM POWER	MEDIUM POWER	MEDIUM POWER
Reference	981179	981173	981172	981175	981170	981174	981145	981155	981165	981185	981195
Power	9,6W/ m	14,4W/ m	9,6W/ m	14,4W/ m	9,6W/ m	14,4W/ m	9,6W/ m	9,6W/ m	9,6W/ m	9,6W/ m	14.4W/ m
Lumen output	672 lm/ m	1010 lm/ m	710 lm/ m	1060 lm/ m	740 lm/ m	1100 lm/ m	170 lm/ m	180 lm/ m	400 lm/ m	160 lm/ m	480lm/ m
CRI	92	92	92	92	92	92	n/a	n/a	n/a	n/a	n/a
Max. length 1 powerfeed	5 metres	5 metres	5 metres	5 metres	5 metres	5 metres	5 metres	5 metres	5 metres	5 metres	5 metres
Min. cutting length	50 mm	33 mm	50 mm	33 mm	50 mm	33 mm	50 mm	50 mm	50 mm	50 mm	100 mm

CONVERTER p.550

TROUGH LED POLYCARBONATE DIFFUSER INCLUDED

profiles

DUCTOR

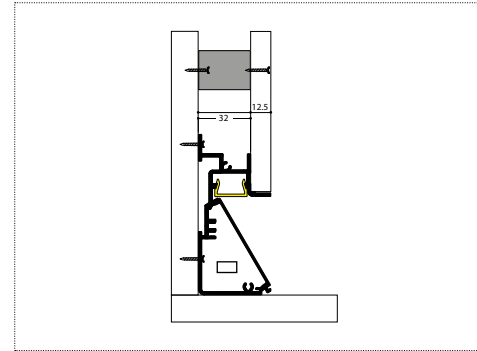
HORIZONTAL INNER CORNER

INNER CORNER 90°	988200
INNER CORNER 135°	988300
INNER CORNER 45°-85° ON REQUEST	988400

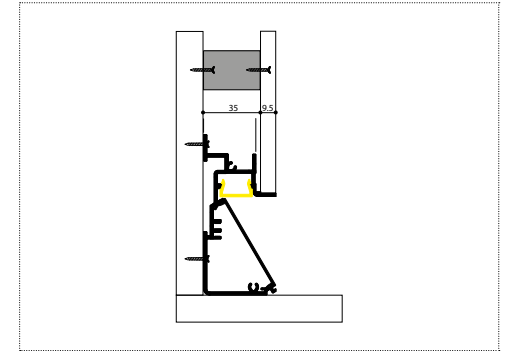
HORIZONTAL OUTER CORNER

OUTER CORNER 270°	988210
OUTER CORNER 315°	988310
OUTER CORNER 225°-265° ON REQUEST	988410

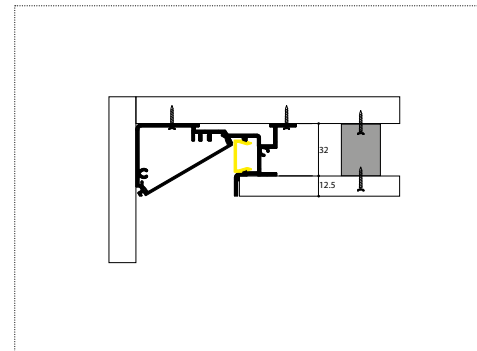
BUILT IN SCENARIO 1



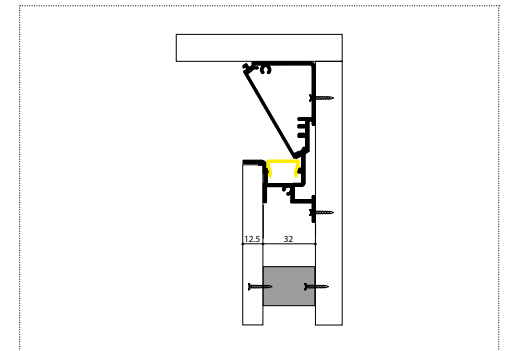
BUILT IN SCENARIO 2



BUILT IN SCENARIO 3



BUILT IN SCENARIO 4



DIFFUSER

'TROUGH LED' POLYCARBONATE DIFFUSER	952006
-------------------------------------	---------------

VERTICAL CORNER

CORNER 90°	988500
CORNER 135°	988600
CORNER 45°-85° ON REQUEST	988700

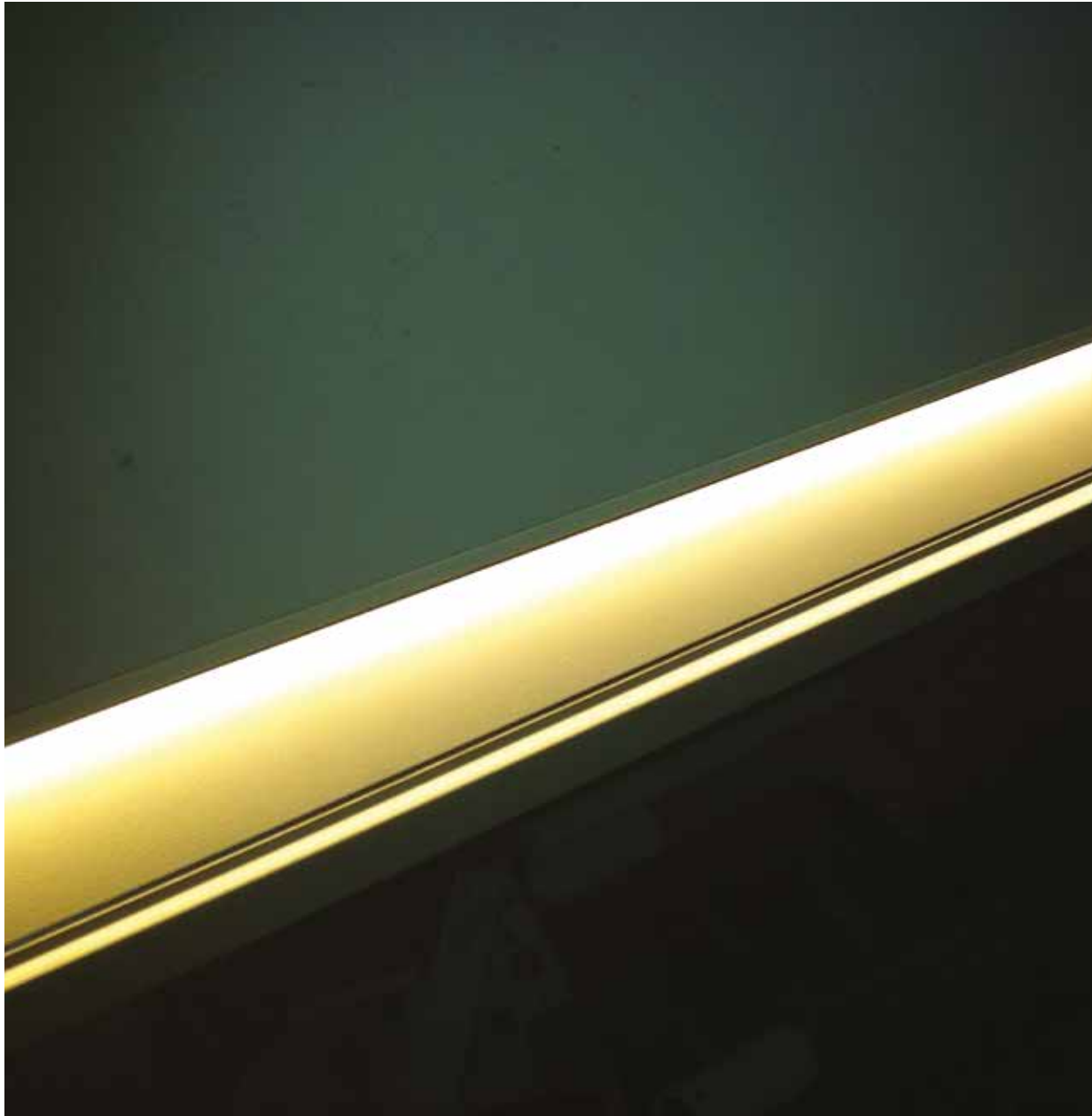
CONVERTORMODULE 230V

CONVERTORMODULE 230V LED 24V - 20VA - DIMMABLE 1-10V - IP20	988900
---	---------------

In combination with ledline no extra free space is required

DUCTOR

profiles





DUCTOR

profiles



HOW TO COMPOSE DUCTOR

REQUEST CUSTOMER

INDIRECT PATHLIGHT
 TOTAL LENGTH = 6,5m
 WARM WHITE (RESIDENTIAL)
 AMBIENT LIGHT (SOFT LIGHT)

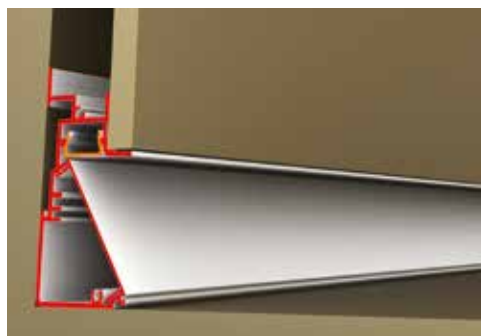
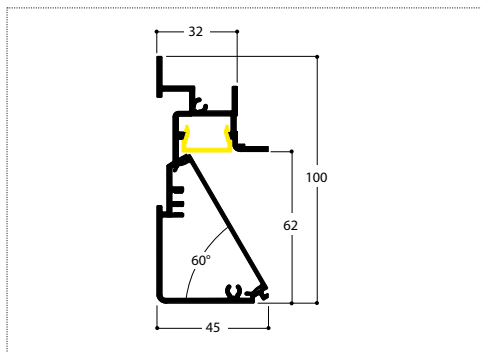
+ POWERED DIRECT BY MAINS (230V)



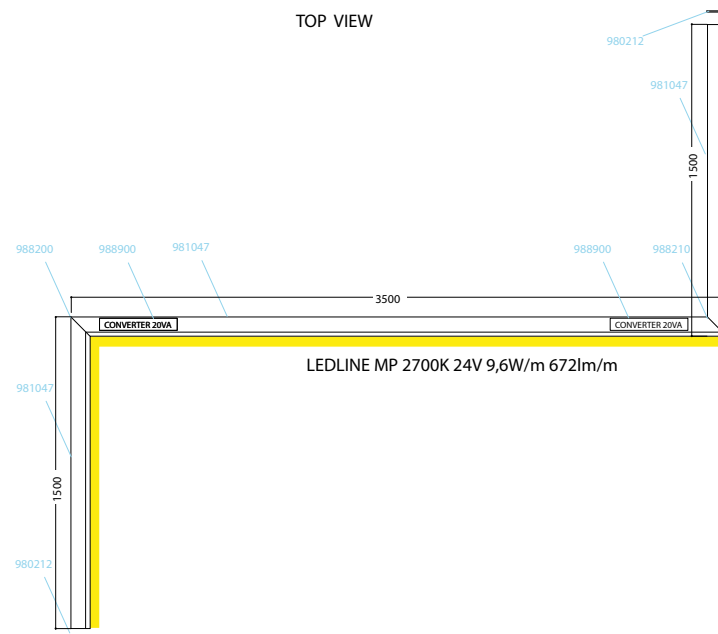
ORDERFORM

REFERENCE	DESCRIPTION	PCS / M
981047	DUCTOR PROFILE TEXTURED WHITE	6,5 (3,5 + 1,5 + 1,5)
981179	LEDLINE 2700K MEDIUM POWER	6,5 (3,5 + 1,5 + 1,5)
988900	BUILT IN CONVERTOR 20W	2
988200	HORIZONTAL INNER CORNER 90°	1
980207	HORIZONTAL OUTER CORNER 270°	1

SECTION VIEW



DRAWING



2U RECESSED

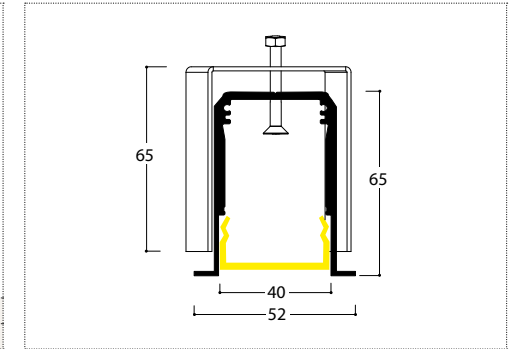
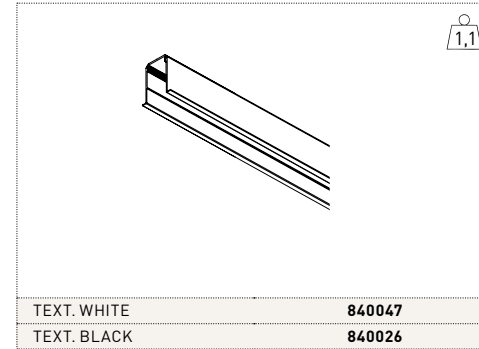
profiles



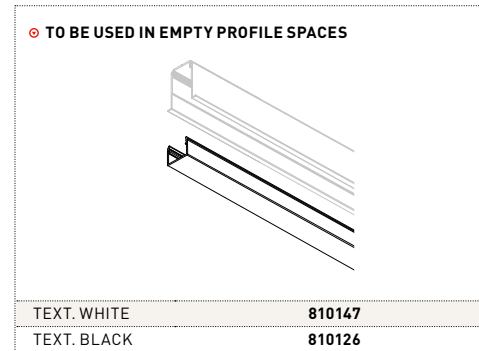
PROFILE/ m



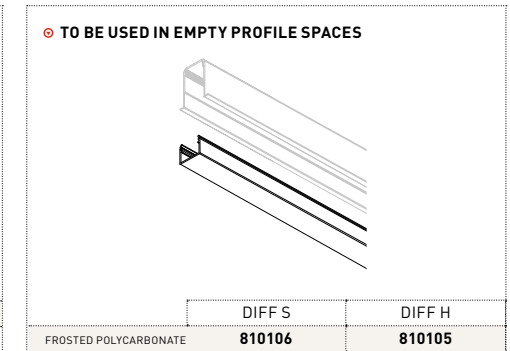
SECTION VIEW



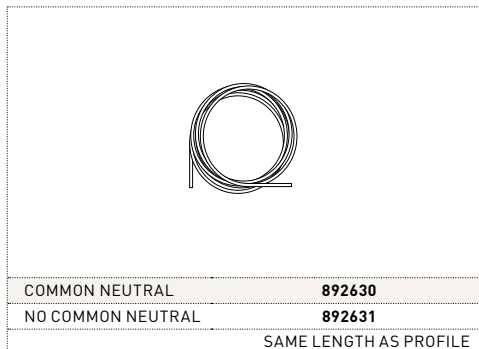
ALU COVER/ m



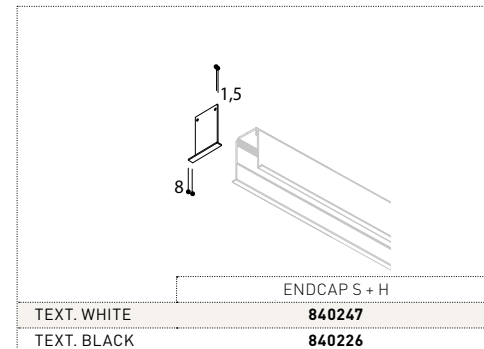
DIFFUSER/ m



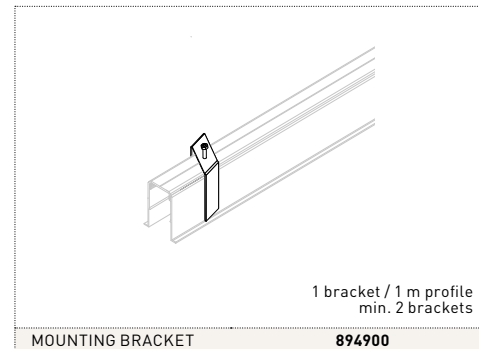
EXTRA CIRCUIT/ m



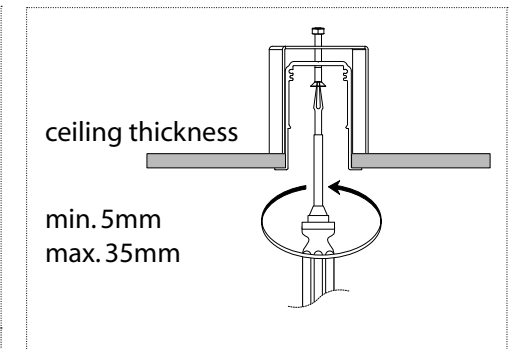
ENDCAP S + H



MOUNTING BRACKET

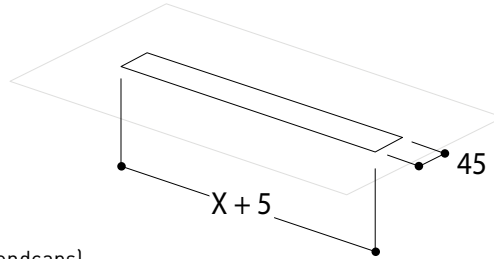


INSTALLATION



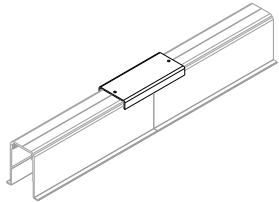
profiles

CUT OUT DIMENSIONS



X = Length of profile (measured without endcaps)
Installation height: 95 mm

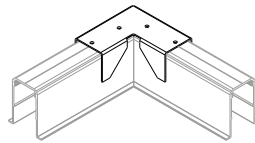
STRAIGHT CONNECTION



STRAIGHT CONNECTION

891910

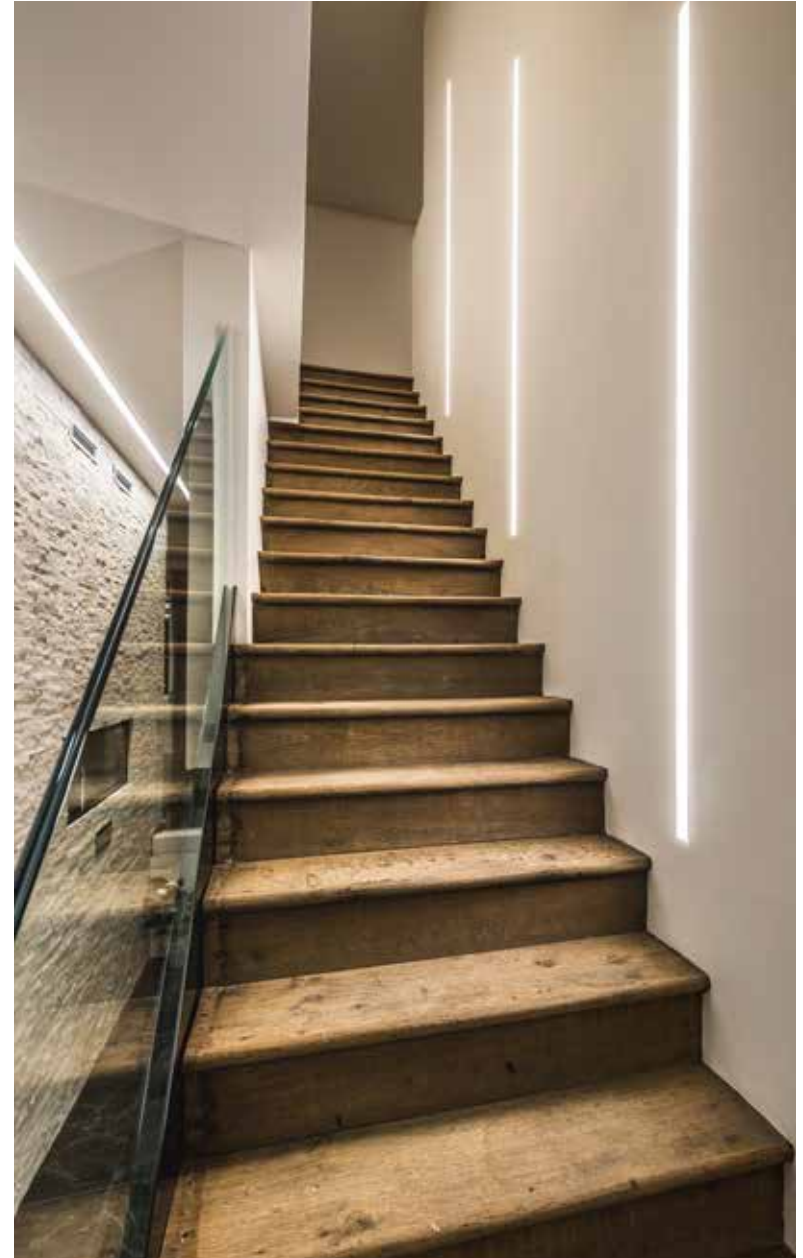
CORNER



CORNER 90°

892110

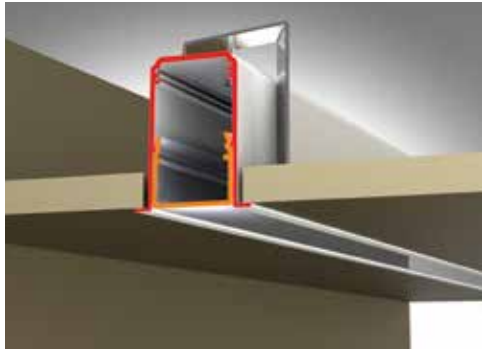
2U RECESSED



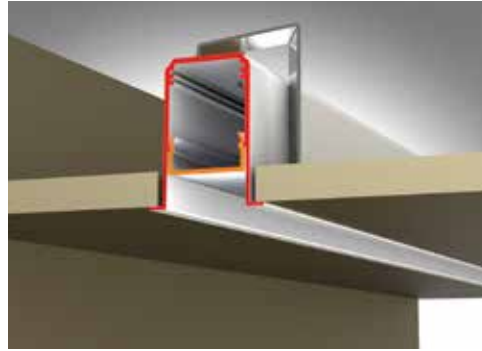
2U RECESSED

profiles

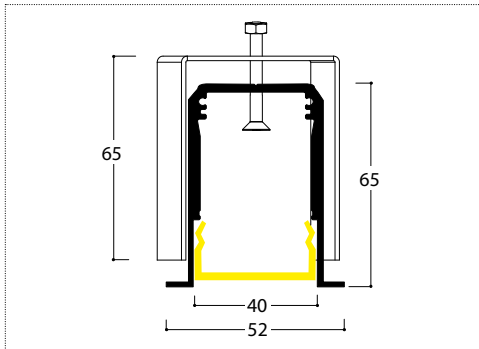
2U RECESSED S



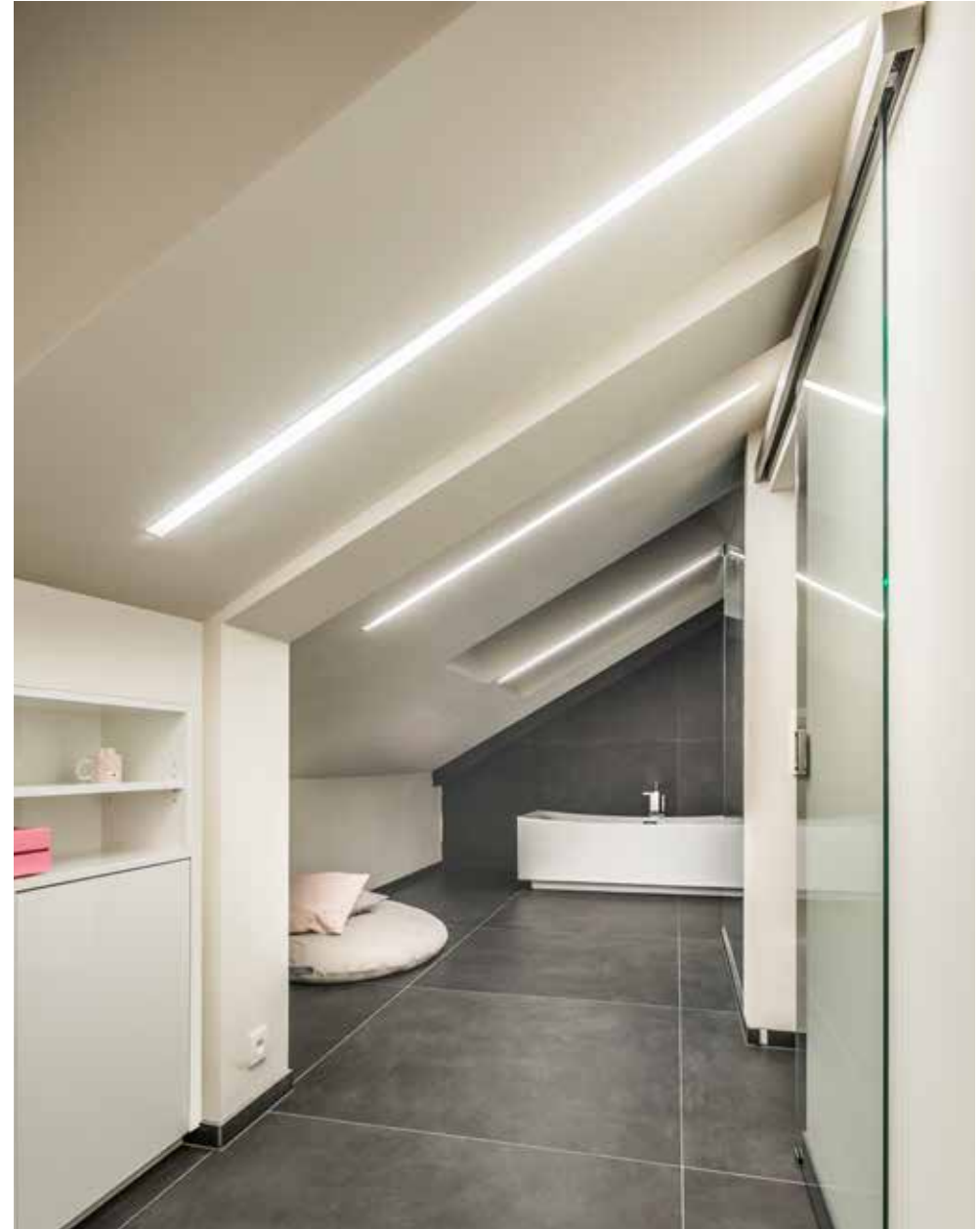
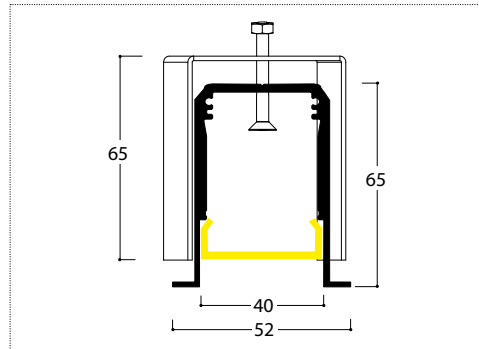
2U RECESSED H



SECTION VIEW S



SECTION VIEW H





2U RECESSED H

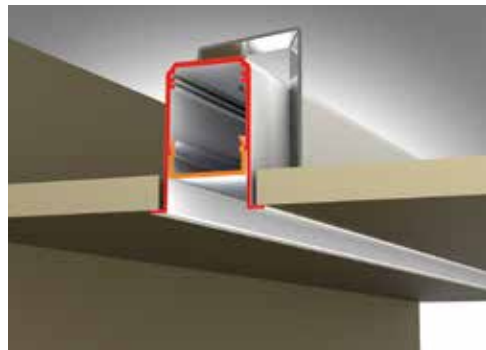
LEDSYSTEM HE - 2315 lm/meter

profiles

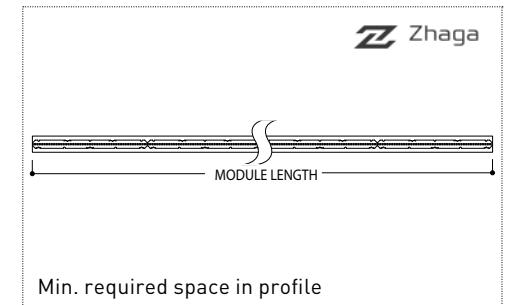
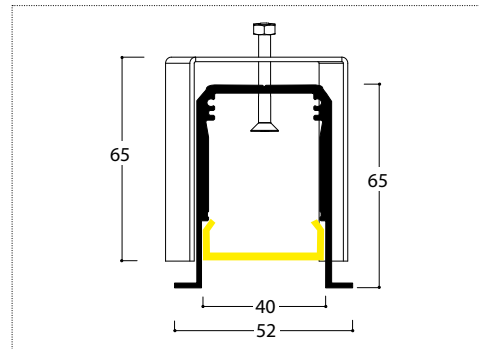


LED LAMPS	DIFFUSER	IP	2700K		3000K		4000K		POWER (W)	LENGTH /mm	LENGTH /ft
			NOT DIMM	DALI/TOUCH	NOT DIMM	DALI/TOUCH	NOT DIMM	DALI/TOUCH			
2UR H LEDLINE 2x650lm	FROSTED POLYCARBONATE H	IP 40	813724	813720	811724	811720	811725	811721	7	560	2
2UR H LEDLINE 3x650lm	FROSTED POLYCARBONATE H	IP 40	813714	813710	811714	811710	811715	811711	10,5	840	3
2UR H LEDLINE 4x650lm	FROSTED POLYCARBONATE H	IP 40	813744	813740	811744	811740	811745	811741	14	1120	4
2UR H LEDLINE 5x650lm	FROSTED POLYCARBONATE H	IP 40	813754	813750	811754	811750	811755	811751	17,5	1400	5
2UR H LEDLINE 6x650lm	FROSTED POLYCARBONATE H	IP 40	813764	813760	811764	811760	811765	811761	21	1680	6
2UR H LEDLINE 7x650lm	FROSTED POLYCARBONATE H	IP 40	813774	813770	811774	811770	811775	811771	24,5	1960	7
2UR H LEDLINE 8x650lm	FROSTED POLYCARBONATE H	IP 40	813784	813780	811784	811780	811785	811781	28	2240	8
2UR H LEDLINE 9x650lm	FROSTED POLYCARBONATE H	IP 40	813794	813790	811794	811790	811795	811791	31,5	2520	9
2UR H LEDLINE 10x650lm	FROSTED POLYCARBONATE H	IP 40	813704	813700	811704	811700	811705	811701	35	2800	10

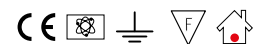
2U RECESSED H



SECTION VIEW H



INPUT VOLTAGE 230V AC





2U RECESSED S

LEDSYSTEM HE - 2315 lm/meter



LED LAMPS	DIFFUSER	IP	2700K		3000K		4000K		POWER (W)	LENGTH /mm	LENGTH /ft
			NOT DIMM	DALI/TOUCH	NOT DIMM	DALI/TOUCH	NOT DIMM	DALI/TOUCH			
2UR S LEDLINE 2x650lm	FROSTED POLYCARBONATE S	IP 40	812724	812720	810724	810720	810725	810721	7	560	2
2UR S LEDLINE 3x650lm	FROSTED POLYCARBONATE S	IP 40	812714	812710	810714	810710	810715	810711	10,5	840	3
2UR S LEDLINE 4x650lm	FROSTED POLYCARBONATE S	IP 40	812744	812740	810744	810740	810745	810741	14	1120	4
2UR S LEDLINE 5x650lm	FROSTED POLYCARBONATE S	IP 40	812754	812750	810754	810750	810755	810751	17,5	1400	5
2UR S LEDLINE 6x650lm	FROSTED POLYCARBONATE S	IP 40	812764	812760	810764	810760	810765	810761	21	1680	6
2UR S LEDLINE 7x650lm	FROSTED POLYCARBONATE S	IP 40	812774	812770	810774	810770	810775	810771	24,5	1960	7
2UR S LEDLINE 8x650lm	FROSTED POLYCARBONATE S	IP 40	812784	812780	810784	810780	810785	810781	28	2240	8
2UR S LEDLINE 9x650lm	FROSTED POLYCARBONATE S	IP 40	812794	812790	810794	810790	810795	810791	31,5	2520	9
2UR S LEDLINE 10x650lm	FROSTED POLYCARBONATE S	IP 40	812704	812700	810704	810700	810705	810701	35	2800	10

LEDSYSTEM HO - 3925 lm/meter

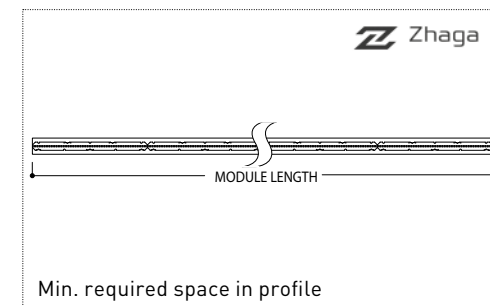
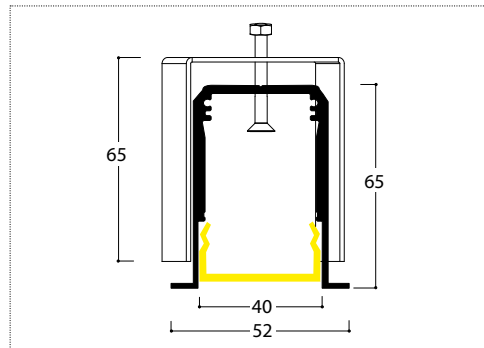


LED LAMPS	DIFFUSER	IP	2700K		3000K		4000K		POWER (W)	LENGTH /mm	LENGTH /ft
			NOT DIMM	DALI/TOUCH	NOT DIMM	DALI/TOUCH	NOT DIMM	DALI/TOUCH			
2UR S LEDLINE 2x1100lm	FROSTED POLYCARBONATE S	IP 40	812726	812722	810726	810722	810728	810723	11,6	560	2
2UR S LEDLINE 3x1100lm	FROSTED POLYCARBONATE S	IP 40	812736	812732	810736	810732	810738	810733	17,4	840	3
2UR S LEDLINE 4x1100lm	FROSTED POLYCARBONATE S	IP 40	812746	812742	810746	810742	810748	810743	23,2	1120	4
2UR S LEDLINE 5x1100lm	FROSTED POLYCARBONATE S	IP 40	812756	812752	810756	810752	810758	810753	29	1400	5
2UR S LEDLINE 6x1100lm	FROSTED POLYCARBONATE S	IP 40	812766	812762	810766	810762	810768	810763	34,8	1680	6
2UR S LEDLINE 7x1100lm	FROSTED POLYCARBONATE S	IP 40	812776	812772	810776	810772	810778	810773	40,6	1960	7
2UR S LEDLINE 8x1100lm	FROSTED POLYCARBONATE S	IP 40	812786	812782	810786	810782	810788	810783	46,4	2240	8
2UR S LEDLINE 9x1100lm	FROSTED POLYCARBONATE S	IP 40	812796	812792	810796	810792	810798	810793	52,2	2520	9
2UR S LEDLINE 10x1100lm	FROSTED POLYCARBONATE S	IP 40	812706	812702	810706	810702	810708	810703	58	2800	10

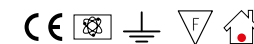
2U RECESSED S



SECTION VIEW S

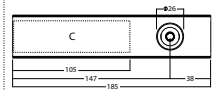


INPUT VOLTAGE 230V AC



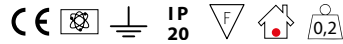
2U RECESSED S

MODULE 1 x LUXEON M



LUXEON M 3,82W
230 V - AC
400 lumen

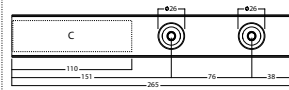
A++



	2700K	3000K
TEXT. WHITE	815222	815242
TEXT. BLACK	815223	815243
GOLD	815225	815245

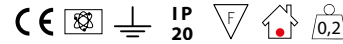
- 810147 COVER TEXT. WHITE P/M
- 810126 COVER TEXT. BLACK P/M

MODULE 2 x LUXEON M



LUXEON M 2 x 3,82W
230 V - AC
2 x 400 lumen

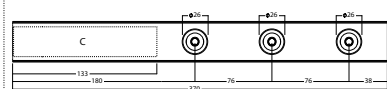
A++



	2700K	3000K
TEXT. WHITE	815226	815246
TEXT. BLACK	815227	815247
GOLD	815229	815249

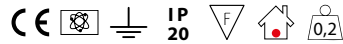
- 810147 COVER TEXT. WHITE P/M
- 810126 COVER TEXT. BLACK P/M

MODULE 3 x LUXEON M



LUXEON M 3 x 3,82W
230 V - AC
3 x 400 lumen

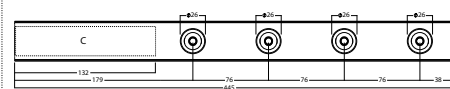
A++



	2700K	3000K
TEXT. WHITE	815232	815252
TEXT. BLACK	815233	815253
GOLD	815235	815255

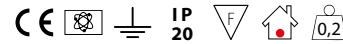
- 810147 COVER TEXT. WHITE P/M
- 810126 COVER TEXT. BLACK P/M

MODULE 4 x LUXEON M



LUXEON M 4 x 3,82W
230 V - AC
4 x 400 lumen

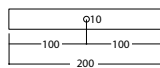
A++



	2700K	3000K
TEXT. WHITE	815236	815256
TEXT. BLACK	815237	815257
GOLD	815239	815259

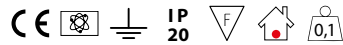
- 810147 COVER TEXT. WHITE P/M
- 810126 COVER TEXT. BLACK P/M

M10 module



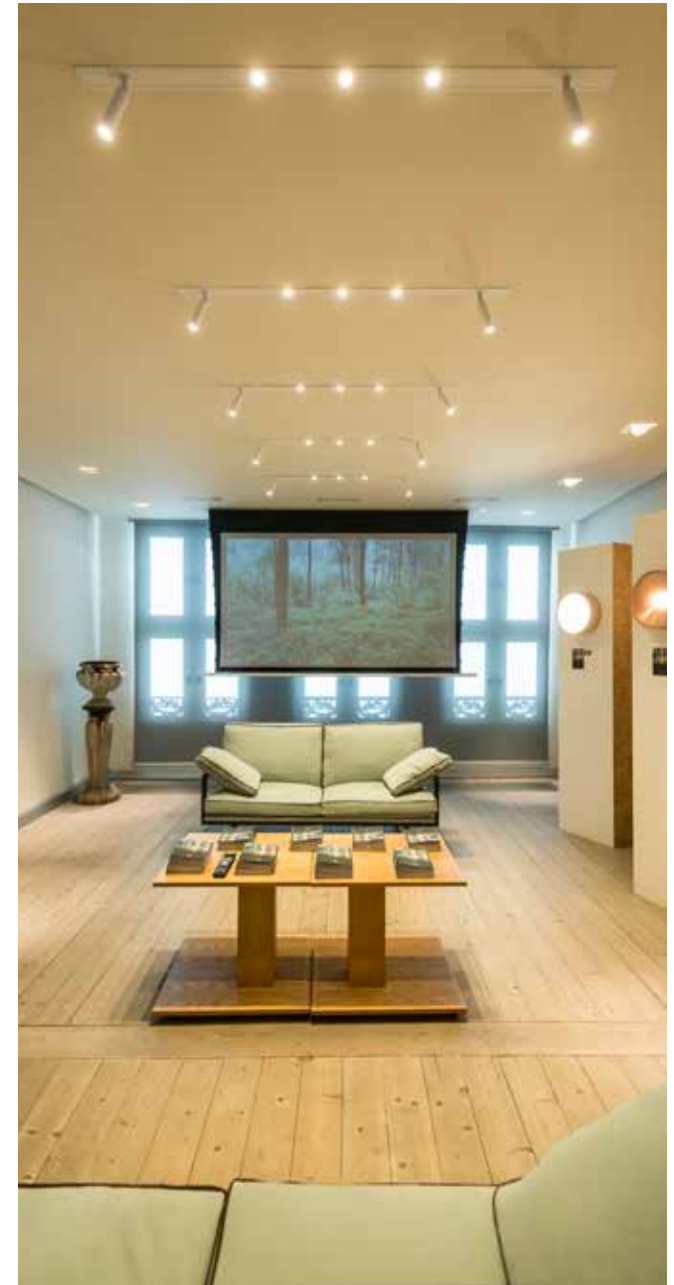
230 V - AC

A++



M10 MODULE	815299
------------	--------

All distances between led modules are always minimum dimensions



2U RECESSED

profiles

MODULE LEDLINE/M WC (no space for convertor)



1000 24V DC

Color Temperature	2700K		3000K		4000K		RED	AMBER	GREEN	ROYAL BLUE	RGB
	MEDIUM POWER	HIGH POWER	MEDIUM POWER	HIGH POWER	MEDIUM POWER	HIGH POWER	MEDIUM POWER	MEDIUM POWER	MEDIUM POWER	MEDIUM POWER	MEDIUM POWER
Reference diffuser S	819211	819251	819221	819261	819231	819271	819280	819281	819282	819283	819090
Reference diffuser H	819216	819256	819226	819266	819236	819276	819285	819286	819287	819288	819095
Power	9,6W/ m	14,4W/ m	9,6W/ m	14,4W/ m	9,6W/ m	14,4W/ m	9,6W/ m	9,6W/ m	9,6W/ m	9,6W/ m	14,4W/ m
Lumen output	672 lm/ m	1010 lm/ m	710 lm/ m	1060 lm/ m	740 lm/ m	1100 lm/ m	170 lm/ m	180 lm/ m	400 lm/ m	160 lm/ m	480lm/ m
CRI	92	92	92	92	92	92	n/a	n/a	n/a	n/a	n/a
Max. length 1 powerfeed	5 metres	5 metres	5 metres	5 metres	5 metres	5 metres	5 metres	5 metres	5 metres	5 metres	5 metres
Min. cutting length	50 mm	33 mm	50 mm	33 mm	50 mm	33 mm	50 mm	50 mm	50 mm	50 mm	100 mm

CONVERTER p.550 TROUGH LED POLYCARBONATE DIFFUSER INCLUDED

MODULE LEDLINE/M CR (convertor can be incorporated)



1000 24V DC

Color Temperature	2700K		3000K		4000K		RED	AMBER	GREEN	ROYAL BLUE	RGB
	MEDIUM POWER	HIGH POWER	MEDIUM POWER	HIGH POWER	MEDIUM POWER	HIGH POWER	MEDIUM POWER	MEDIUM POWER	MEDIUM POWER	MEDIUM POWER	MEDIUM POWER
Reference diffuser S	819410	819450	819420	819460	819430	819470	819480	819481	819482	819483	819490
Reference diffuser H	N/A	N/A	N/A	N/A	N/A	N/A	N/A	N/A	N/A	N/A	N/A
Power	9,6W/ m	14,4W/ m	9,6W/ m	14,4W/ m	9,6W/ m	14,4W/ m	9,6W/ m	9,6W/ m	9,6W/ m	9,6W/ m	14,4W/ m
Lumen output	672 lm/ m	1010 lm/ m	710 lm/ m	1060 lm/ m	740 lm/ m	1100 lm/ m	170 lm/ m	180 lm/ m	400 lm/ m	160 lm/ m	480lm/ m
CRI	92	92	92	92	92	92	n/a	n/a	n/a	n/a	n/a
Max. length 1 powerfeed	5 metres	5 metres	5 metres	5 metres	5 metres	5 metres	5 metres	5 metres	5 metres	5 metres	5 metres
Min. cutting length	50 mm	33 mm	50 mm	33 mm	50 mm	33 mm	50 mm	50 mm	50 mm	50 mm	100 mm

CONVERTER p.550 TROUGH LED POLYCARBONATE DIFFUSER INCLUDED

INTEGRATED CONVERTOR (for ledline CR)

input 230 V-AC
output 24V-DC
power 20W

fits in 2U profile [no extra space required]

CE, RoHS, IP 20, F, 0,2

1-10V DIMM	
2U CONVERTOR MODULE	692910

INTEGRATED CONVERTOR (for ledline CR)

input 230 V-AC
output 24V-DC
power 60W

fits in 2U profile [no extra space required]

CE, RoHS, IP 20, F, 0,2

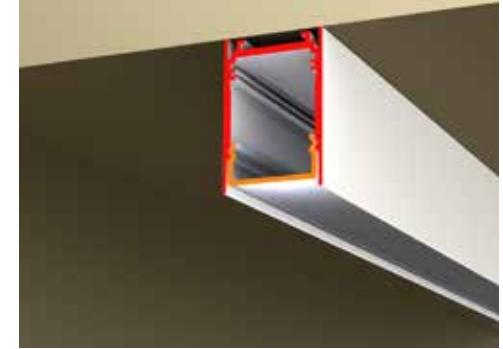
NOT DIMM	1-10V	DALI DIMM
2U CONVERTOR MODULE	692930	692940
		692950



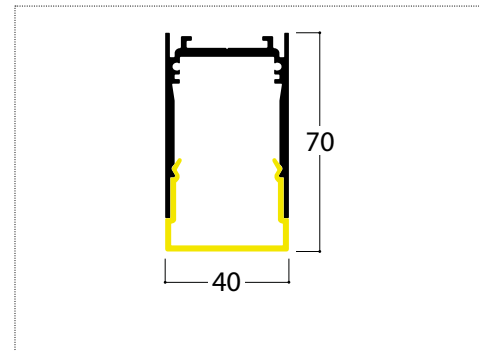
PROFILE/ m



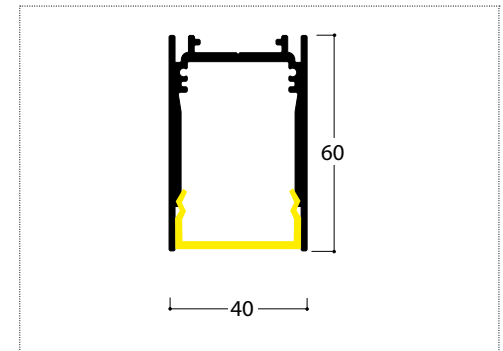
TEXT. WHITE	810047
TEXT. BLACK	810026
SILVER ANO	810012



SECTION VIEW W



SECTION VIEW H



EXTRA CIRCUIT/ m

COMMON NEUTRAL	892630
NO COMMON NEUTRAL	892631
SAME LENGTH AS PROFILE	

ALU COVER W/ m

◦ TO BE USED IN EMPTY PROFILE SPACES

TEXT. WHITE	810847
TEXT. BLACK	810826
SILVER ANO	810812

DIFFUSER/ m

◦ TO BE USED IN EMPTY PROFILE SPACES

DIFFUSER W DIFFUSER H

	DIFF W	DIFF H
FROSTED PC	810104	810105

ENDCAP

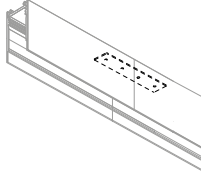
ENDCAP W ENDCAP H

	ENDCAP W	ENDCAP H
TEXT. WHITE	810947	810347
TEXT. BLACK	810967	810326
SILVER ANO	810927	810312

profiles

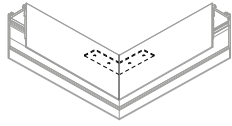
2U

STRAIGHT CONNECTION



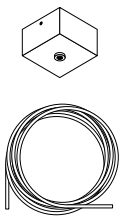
STRAIGHT CONNECTION	891900
---------------------	---------------

CORNER



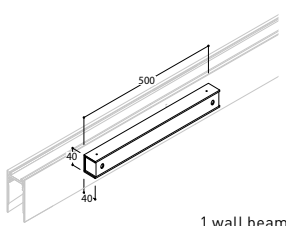
CORNER 90°	892100
CORNER 135°	892000
CORNER 45° - 85° on request	892200

CONNECTION SET SQUARE



	3p			5p		
	2,25 m	4 m	6 m	2,25 m	4 m	6 m
TEXT. WHITE	890847	890947	891047	891147	891247	891347
TEXT. BLACK	890826	890926	891026	891126	891226	891326

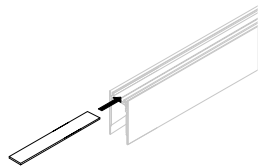
WALL BEAM



1 wall beam / 2 m profile

TEXT. WHITE	894547
TEXT. BLACK	894526
SILVER ANO	894512

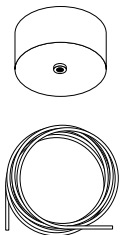
TOP STRIP/ m



FOR AESTHETICAL REASONS

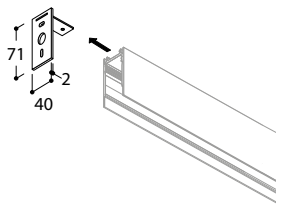
TEXT. WHITE	894447
TEXT. BLACK	894426
SILVER ANO	894412

CONNECTION SET ROUND



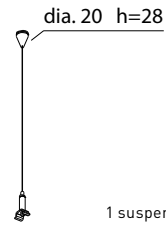
	3p			5p		
	2,25 m	4 m	6 m	2,25 m	4 m	6 m
TEXT. WHITE	691047	691147	691247	691347	691447	691547
TEXT. BLACK	691026	691126	691226	691326	691426	691526

WALL FIXATION



TEXT. WHITE	891847
STAINLESS STEEL	891800
TEXT. BLACK	891826

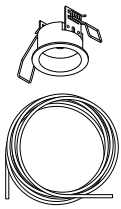
SUSPENSION SINGLE



1 suspension / 1,5 m profile
min. 2 suspensions

	2,25 m	4 m	6 m
TEXT. WHITE	892347	892447	892547
TEXT. BLACK	892326	892426	892526
SILVER ANO	892330	892430	892530

CONNECTION SET KOSMOS (recessed)



56 mm
Installation height 60 mm

	3p			5p		
	2,25 m	4 m	6 m	2,25 m	4 m	6 m
TEXT. WHITE	691057	691157	691257	691357	691457	691557
TEXT. BLACK	691036	691136	691236	691336	691436	691536

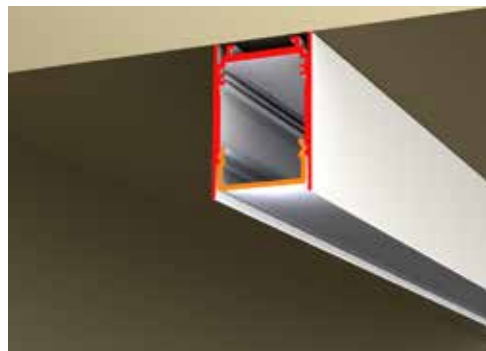
2U H

LEDSYSTEM HE - 2315 lm/meter

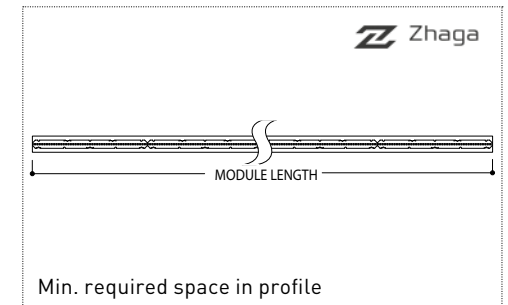
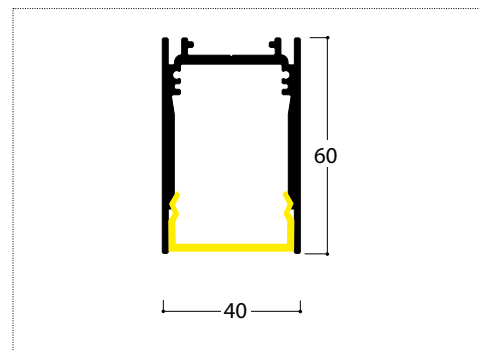


LED LAMPS	DIFFUSER	IP	2700K		3000K		4000K		POWER (W)	LENGTH /mm	LENGTH /ft
			NOT DIMM	DALI/TOUCH	NOT DIMM	DALI/TOUCH	NOT DIMM	DALI/TOUCH			
2U H LEDLINE 2x650lm	FROSTED POLYCARBONATE H	IP 40	813724	813720	811724	811720	811725	811721	7	560	2
2U H LEDLINE 3x650lm	FROSTED POLYCARBONATE H	IP 40	813714	813710	811714	811710	811715	811711	10,5	840	3
2U H LEDLINE 4x650lm	FROSTED POLYCARBONATE H	IP 40	813744	813740	811744	811740	811745	811741	14	1120	4
2U H LEDLINE 5x650lm	FROSTED POLYCARBONATE H	IP 40	813754	813750	811754	811750	811755	811751	17,5	1400	5
2U H LEDLINE 6x650lm	FROSTED POLYCARBONATE H	IP 40	813764	813760	811764	811760	811765	811761	21	1680	6
2U H LEDLINE 7x650lm	FROSTED POLYCARBONATE H	IP 40	813774	813770	811774	811770	811775	811771	24,5	1960	7
2U H LEDLINE 8x650lm	FROSTED POLYCARBONATE H	IP 40	813784	813780	811784	811780	811785	811781	28	2240	8
2U H LEDLINE 9x650lm	FROSTED POLYCARBONATE H	IP 40	813794	813790	811794	811790	811795	811791	31,5	2520	9
2U H LEDLINE 10x650lm	FROSTED POLYCARBONATE H	IP 40	813704	813700	811704	811700	811705	811701	35	2800	10

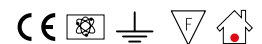
2U H



SECTION VIEW H



INPUT VOLTAGE 230V AC





2U W

LEDSYSTEM HE - 2315 lm/meter

profiles



LED LAMPS	DIFFUSER	IP	2700K		3000K		4000K		POWER (W)	LENGTH /mm	LENGTH /ft
			NOT DIMM	DALI/TOUCH	NOT DIMM	DALI/TOUCH	NOT DIMM	DALI/TOUCH			
2U W LEDLINE 2x650lm	FROSTED POLYCARBONATE W	IP 40	812924	812920	810924	810920	810925	810921	7	560	2
2U W LEDLINE 3x650lm	FROSTED POLYCARBONATE W	IP 40	812914	812910	810914	810910	810915	810911	10,5	840	3
2U W LEDLINE 4x650lm	FROSTED POLYCARBONATE W	IP 40	812944	812940	810944	810940	810945	810941	14	1120	4
2U W LEDLINE 5x650lm	FROSTED POLYCARBONATE W	IP 40	812954	812950	810954	810950	810955	810951	17,5	1400	5
2U W LEDLINE 6x650lm	FROSTED POLYCARBONATE W	IP 40	812964	812960	810964	810960	810965	810961	21	1680	6
2U W LEDLINE 7x650lm	FROSTED POLYCARBONATE W	IP 40	812974	812970	810974	810970	810975	810971	24,5	1960	7
2U W LEDLINE 8x650lm	FROSTED POLYCARBONATE W	IP 40	812984	812980	810984	810980	810985	810981	28	2240	8
2U W LEDLINE 9x650lm	FROSTED POLYCARBONATE W	IP 40	812994	812990	810994	810990	810995	810991	31,5	2520	9
2U W LEDLINE 10x650lm	FROSTED POLYCARBONATE W	IP 40	812904	812900	810904	810900	810905	810901	35	2800	10

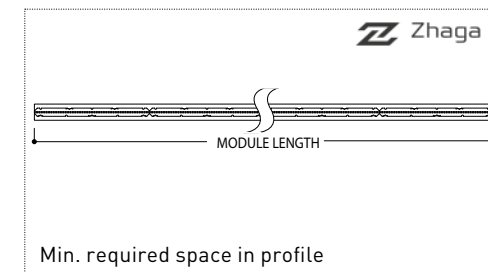
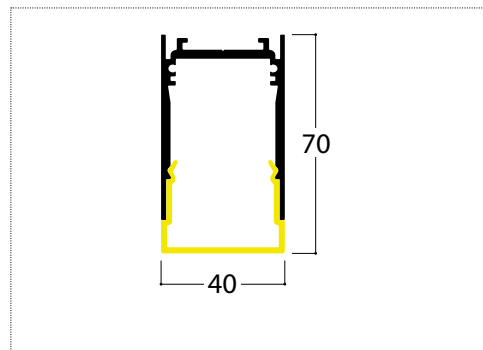
LEDSYSTEM HO - 3925 lm/meter



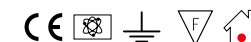
LED LAMPS	DIFFUSER	IP	2700K		3000K		4000K		POWER (W)	LENGTH /mm	LENGTH /ft
			NOT DIMM	DALI/TOUCH	NOT DIMM	DALI/TOUCH	NOT DIMM	DALI/TOUCH			
2U W LEDLINE 2x1100lm	FROSTED POLYCARBONATE W	IP 40	812926	812922	810926	810922	810928	810923	11,6	560	2
2U W LEDLINE 3x1100lm	FROSTED POLYCARBONATE W	IP 40	812916	812912	810916	810912	810918	810913	17,4	840	3
2U W LEDLINE 4x1100lm	FROSTED POLYCARBONATE W	IP 40	812946	812942	810946	810942	810948	810943	23,2	1120	4
2U W LEDLINE 5x1100lm	FROSTED POLYCARBONATE W	IP 40	812956	812952	810956	810952	810958	810953	29	1400	5
2U W LEDLINE 6x1100lm	FROSTED POLYCARBONATE W	IP 40	812966	812962	810966	810962	810968	810963	34,8	1680	6
2U W LEDLINE 7x1100lm	FROSTED POLYCARBONATE W	IP 40	812976	812972	810976	810972	810978	810973	40,6	1960	7
2U W LEDLINE 8x1100lm	FROSTED POLYCARBONATE W	IP 40	812986	812982	810986	810982	810988	810983	46,4	2240	8
2U W LEDLINE 9x1100lm	FROSTED POLYCARBONATE W	IP 40	812996	812992	810996	810992	810998	810993	52,2	2520	9
2U W LEDLINE 10x1100lm	FROSTED POLYCARBONATE W	IP 40	812906	812902	810906	810902	810908	810903	58	2800	10

2U W

SECTION VIEW W



INPUT VOLTAGE 230V AC





MODULE LEDLINE/M WC (no space for convertor)



1000 24V DC

Color Temperature	2700K		3000K		4000K		RED	AMBER	GREEN	ROYAL BLUE	RGB
	MEDIUM POWER	HIGH POWER	MEDIUM POWER	HIGH POWER	MEDIUM POWER	HIGH POWER	MEDIUM POWER	MEDIUM POWER	MEDIUM POWER	MEDIUM POWER	MEDIUM POWER
Reference diffuser W	819710	819750	819720	819760	819730	819770	819780	819781	819782	819783	819790
Reference diffuser H	819216	819256	819226	819266	819236	819276	819285	819286	819287	819288	819095
Power	9,6W/ m	14,4W/ m	9,6W/ m	14,4W/ m	9,6W/ m	14,4W/ m	9,6W/ m	9,6W/ m	9,6W/ m	9,6W/ m	14,4W/ m
Lumen output	672 lm/ m	1010 lm/ m	710 lm/ m	1060 lm/ m	740 lm/ m	1100 lm/ m	170 lm/ m	180 lm/ m	400 lm/ m	160 lm/ m	480lm/ m
CRI	92	92	92	92	92	92	n/a	n/a	n/a	n/a	n/a
Max. length 1 powerfeed	5 metres	5 metres	5 metres	5 metres	5 metres	5 metres	5 metres	5 metres	5 metres	5 metres	5 metres
Min. cutting length	50 mm	33 mm	50 mm	33 mm	50 mm	33 mm	50 mm	50 mm	50 mm	50 mm	100 mm

CONVERTER p.550 *TROUGH LED* POLYCARBONATE DIFFUSER INCLUDED

MODULE LEDLINE/M CR (convertor can be incorporated)



1000 24V DC

Color Temperature	2700K		3000K		4000K		RED	AMBER	GREEN	ROYAL BLUE	RGB
	MEDIUM POWER	HIGH POWER	MEDIUM POWER	HIGH POWER	MEDIUM POWER	HIGH POWER	MEDIUM POWER	MEDIUM POWER	MEDIUM POWER	MEDIUM POWER	MEDIUM POWER
Reference diffuser W	819610	819650	819620	819660	819630	819670	819680	819681	819682	819683	819690
Reference diffuser H	N/A	N/A	N/A	N/A	N/A	N/A	N/A	N/A	N/A	N/A	N/A
Power	9,6W/ m	14,4W/ m	9,6W/ m	14,4W/ m	9,6W/ m	14,4W/ m	9,6W/ m	9,6W/ m	9,6W/ m	9,6W/ m	14,4W/ m
Lumen output	672 lm/ m	1010 lm/ m	710 lm/ m	1060 lm/ m	740 lm/ m	1100 lm/ m	170 lm/ m	180 lm/ m	400 lm/ m	160 lm/ m	480lm/ m
CRI	92	92	92	92	92	92	n/a	n/a	n/a	n/a	n/a
Max. length 1 powerfeed	5 metres	5 metres	5 metres	5 metres	5 metres	5 metres	5 metres	5 metres	5 metres	5 metres	5 metres
Min. cutting length	50 mm	33 mm	50 mm	33 mm	50 mm	33 mm	50 mm	50 mm	50 mm	50 mm	100 mm

CONVERTER p.550 *TROUGH LED* POLYCARBONATE DIFFUSER INCLUDED

INTEGRATED CONVERTOR (for ledline CR)

input 230 V-AC
output 24V-DC
power 20W

fits in 2U profile [no extra space required]

CE, RoHS, IP 20, F, 0,2

	1-10V DIMM
2U CONVERTOR MODULE	692910

INTEGRATED CONVERTOR (for ledline CR)

input 230 V-AC
output 24V-DC
power 60W

fits in 2U profile [no extra space required]

CE, RoHS, IP 20, F, 0,2

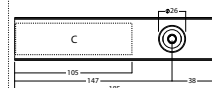
	NOT DIMM	1-10V	DALI DIMM
2U CONVERTOR MODULE	692930	692940	692950





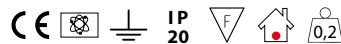
profiles

MODULE 1 x LUXEON M



LUXEON M 3,82W
230 V - AC
400 lumen

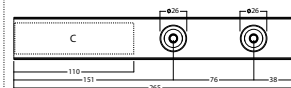
A++



	2700K	3000K
TEXT. WHITE	815202	815262
TEXT. BLACK	815203	815263
GOLD	815205	815265

- 810847 COVER TEXT. WHITE P/M
- 810826 COVER TEXT. BLACK P/M

MODULE 2 x LUXEON M



LUXEON M 2 x 3,82W
230 V - AC
2 x 400 lumen

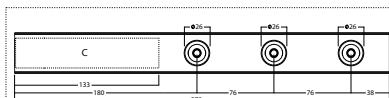
A++



	2700K	3000K
TEXT. WHITE	815206	815266
TEXT. BLACK	815207	815267
GOLD	815209	815269

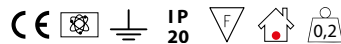
- 810847 COVER TEXT. WHITE P/M
- 810826 COVER TEXT. BLACK P/M

MODULE 3 x LUXEON M



LUXEON M 3 x 3,82W
230 V - AC
3 x 400 lumen

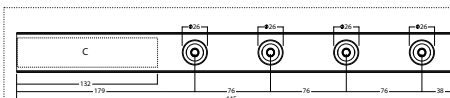
A++



	2700K	3000K
TEXT. WHITE	815212	815272
TEXT. BLACK	815213	815273
GOLD	815215	815275

- 810847 COVER TEXT. WHITE P/M
- 810826 COVER TEXT. BLACK P/M

MODULE 4 x LUXEON M



LUXEON M 4 x 3,82W
230 V - AC
4 x 400 lumen

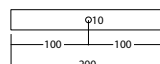
A++



	2700K	3000K
TEXT. WHITE	815216	815276
TEXT. BLACK	815217	815277
GOLD	815219	815279

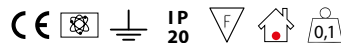
- 810847 COVER TEXT. WHITE P/M
- 810826 COVER TEXT. BLACK P/M

M10 module



230 V - AC

A++



M10 MODULE	815299
------------	--------





REQUEST CUSTOMER

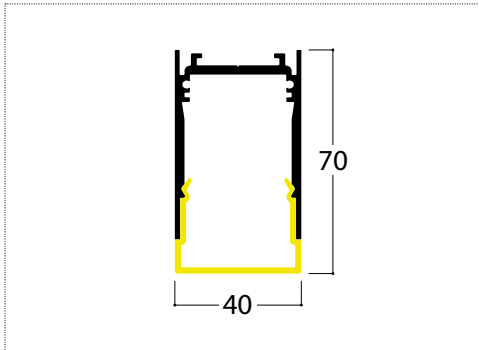
SMALL SINGLE LAMP PROFILE
 1 CIRCUIT
 TEXT. BLACK COLOR
 L SHAPE
 COLOR TEMPERATURE 4000K
 LED T5 HE EQUIVALENT



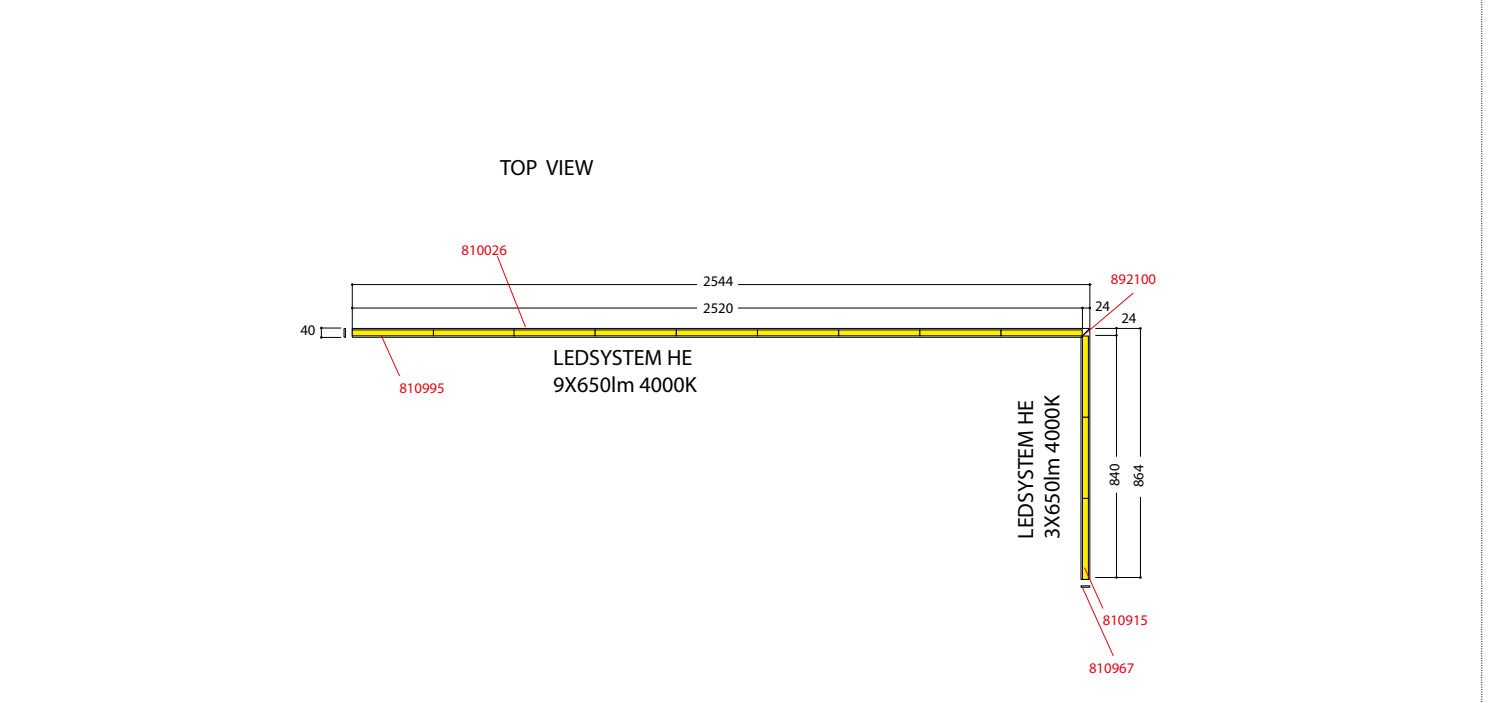
ORDERFORM

REFERENCE	DESCRIPTION	PCS / M
810026	PROFILE	2,544 + 0,864
810967	ENDCAP	2
810915	MODULE LEDSYSTEM 3X650Lm 4000K	1
810995	MODULE LEDSYSTEM 9X650Lm 4000K	1
892100	CORNER 90°	1
810104	DIFFUSER W	0,48

SECTION VIEW

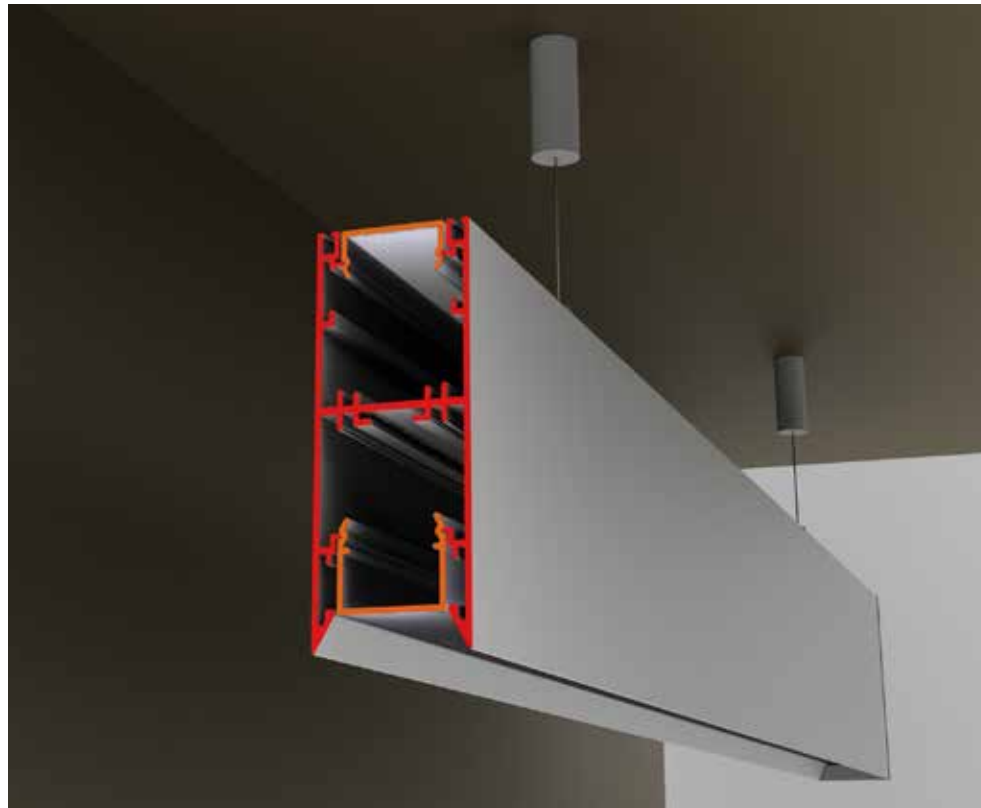


DRAWING



LUDO

profiles



PROFILE/ m

TEXT. WHITE	680047
TEXT. BLACK	680026

ENDCAP

TEXT. WHITE	680247
TEXT. BLACK	680226

SECTION VIEW

WALL FIXATION

TEXT. WHITE	689047
TEXT. BLACK	689026

EXTRA CIRCUIT/ m

COMMON NEUTRAL	892630
NO COMMON NEUTRAL	892631
SAME LENGTH AS PROFILE	

ALU COVER/ m

TO BE USED IN EMPTY PROFILE SPACES

TEXT. WHITE	810147
TEXT. BLACK	810126

DIFFUSER/ m

TO BE USED IN EMPTY PROFILE SPACES

FROSTED PC	810106	810105
------------	---------------	---------------

profiles

LUDO

SUSPENSION SET

	2,25 m	4 m	6 m
TEXT. WHITE	685047	685147	685247
TEXT. BLACK	685026	685126	685226



CONNECTION SET SQUARE

	3p			5p		
	2,25 m	4 m	6 m	2,25 m	4 m	6 m
TEXT. WHITE	890847	890947	891047	891147	891247	891347
TEXT. BLACK	890826	890926	891026	891126	891226	891326

STRAIGHT CONNECTION

STRAIGHT CONNECTION **689101**

CONNECTION SET ROUND

	3p			5p		
	2,25 m	4 m	6 m	2,25 m	4 m	6 m
TEXT. WHITE	691047	691147	691247	691347	691447	691547
TEXT. BLACK	691026	691126	691226	691326	691426	691526

CORNER

CORNER 90°	950070
CORNER 135°	950080
CORNER 45° - 85° on request	950090

CONNECTION SET KOSMOS (recessed)

⌀ 56 mm
Installation height 60 mm

	3p			5p		
	2,25 m	4 m	6 m	2,25 m	4 m	6 m
TEXT. WHITE	691057	691157	691257	691357	691457	691557
TEXT. BLACK	691036	691136	691236	691336	691436	691536

LUDO DOWN

LEDSYSTEM HE - 2315 lm/meter - DOWN



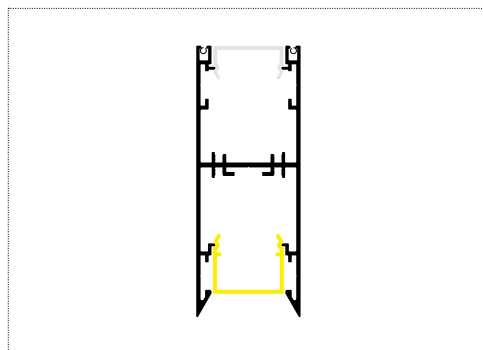
LED LAMPS	DIFFUSER	IP	2700K		3000K		4000K		POWER (W)	LENGTH /mm	LENGTH /ft
			NOT DIMM	DALI/TOUCH	NOT DIMM	DALI/TOUCH	NOT DIMM	DALI/TOUCH			
LUDO LEDSYSTEM DOWN HE 2x650lm	FROSTED POLYCARBONATE S	IP 40	681724	681720	681824	681820	681924	681920	7	560	2
LUDO LEDSYSTEM DOWN HE 3x650lm	FROSTED POLYCARBONATE S	IP 40	681734	681730	681834	681830	681934	681930	10,5	840	3
LUDO LEDSYSTEM DOWN HE 4x650lm	FROSTED POLYCARBONATE S	IP 40	681744	681740	681844	681840	681944	681940	14	1120	4
LUDO LEDSYSTEM DOWN HE 5x650lm	FROSTED POLYCARBONATE S	IP 40	681754	681750	681854	681850	681954	681950	17,5	1400	5
LUDO LEDSYSTEM DOWN HE 6x650lm	FROSTED POLYCARBONATE S	IP 40	681764	681760	681864	681860	681964	681960	21	1680	6
LUDO LEDSYSTEM DOWN HE 7x650lm	FROSTED POLYCARBONATE S	IP 40	681774	681770	681874	681870	681974	681970	24,5	1960	7
LUDO LEDSYSTEM DOWN HE 8x650lm	FROSTED POLYCARBONATE S	IP 40	681784	681780	681884	681880	681984	681980	28	2240	8
LUDO LEDSYSTEM DOWN HE 9x650lm	FROSTED POLYCARBONATE S	IP 40	681794	681790	681894	681890	681994	681990	31,5	2520	9
LUDO LEDSYSTEM DOWN HE 10x650lm	FROSTED POLYCARBONATE S	IP 40	681704	681700	681804	681800	681904	681900	35	2800	10

LEDSYSTEM HO - 3925 lm/meter - DOWN



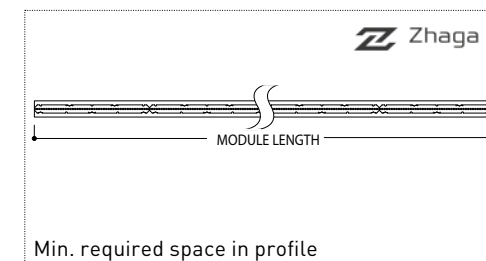
LED LAMPS	DIFFUSER	IP	2700K		3000K		4000K		POWER (W)	LENGTH /mm	LENGTH /ft
			NOT DIMM	DALI/TOUCH	NOT DIMM	DALI/TOUCH	NOT DIMM	DALI/TOUCH			
LUDO LEDSYSTEM DOWN HO 2x1100lm	FROSTED POLYCARBONATE S	IP 40	681726	681722	681826	681822	681926	681922	11,6	560	2
LUDO LEDSYSTEM DOWN HO 3x1100lm	FROSTED POLYCARBONATE S	IP 40	681736	681732	681836	681832	681936	681932	17,4	840	3
LUDO LEDSYSTEM DOWN HO 4x1100lm	FROSTED POLYCARBONATE S	IP 40	681746	681742	681846	681842	681946	681942	23,2	1120	4
LUDO LEDSYSTEM DOWN HO 5x1100lm	FROSTED POLYCARBONATE S	IP 40	681756	681752	681856	681852	681956	681952	29	1400	5
LUDO LEDSYSTEM DOWN HO 6x1100lm	FROSTED POLYCARBONATE S	IP 40	681766	681762	681866	681862	681966	681962	34,8	1680	6
LUDO LEDSYSTEM DOWN HO 7x1100lm	FROSTED POLYCARBONATE S	IP 40	681776	681772	681876	681872	681976	681972	40,6	1960	7
LUDO LEDSYSTEM DOWN HO 8x1100lm	FROSTED POLYCARBONATE S	IP 40	681786	681782	681886	681882	681986	681982	46,4	2240	8
LUDO LEDSYSTEM DOWN HO 9x1100lm	FROSTED POLYCARBONATE S	IP 40	681796	681792	681896	681892	681996	681992	52,2	2520	9
LUDO LEDSYSTEM DOWN HO 10x1100lm	FROSTED POLYCARBONATE S	IP 40	681706	681702	681806	681802	681906	681902	58	2800	10

SECTION VIEW LUDO DOWN

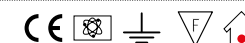


COMBINATION TABLE

		UP	
		HE	HO
DOWN	HE	●	●
	HO	●	N/A



INPUT VOLTAGE 230V AC





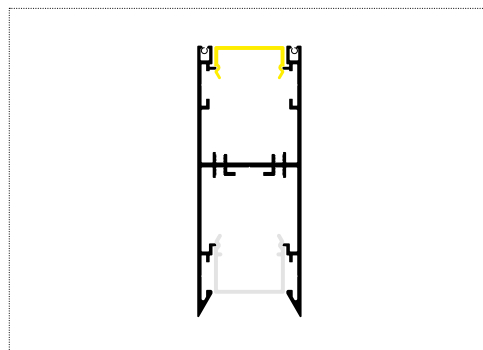
LEDSYSTEM HE - 2315 lm/meter - UP

LED LAMPS	DIFFUSER	IP	2700K		3000K		4000K		POWER (W)	LENGTH /mm	LENGTH /ft
			NOT DIMM	DALI/TOUCH	NOT DIMM	DALI/TOUCH	NOT DIMM	DALI/TOUCH			
LUDO LEDSYSTEM UP HE 2x650lm	FROSTED POLYCARBONATE H	IP 40	682724	682720	682824	682820	682924	682920	7	560	2
LUDO LEDSYSTEM UP HE 3x650lm	FROSTED POLYCARBONATE H	IP 40	682734	682730	682834	682830	682934	682930	10,5	840	3
LUDO LEDSYSTEM UP HE 4x650lm	FROSTED POLYCARBONATE H	IP 40	682744	682740	682844	682840	682944	682940	14	1120	4
LUDO LEDSYSTEM UP HE 5x650lm	FROSTED POLYCARBONATE H	IP 40	682754	682750	682854	682850	682954	682950	17,5	1400	5
LUDO LEDSYSTEM UP HE 6x650lm	FROSTED POLYCARBONATE H	IP 40	682764	682760	682864	682860	682964	682960	21	1680	6
LUDO LEDSYSTEM UP HE 7x650lm	FROSTED POLYCARBONATE H	IP 40	682774	682770	682874	682870	682974	682970	24,5	1960	7
LUDO LEDSYSTEM UP HE 8x650lm	FROSTED POLYCARBONATE H	IP 40	682784	682780	682884	682880	682984	682980	28	2240	8
LUDO LEDSYSTEM UP HE 9x650lm	FROSTED POLYCARBONATE H	IP 40	682794	682790	682894	682890	682994	682990	31,5	2520	9
LUDO LEDSYSTEM UP HE 10x650lm	FROSTED POLYCARBONATE H	IP 40	682704	682700	682804	682800	682904	682900	35	2800	10

LEDSYSTEM HO - 3925 lm/meter - UP

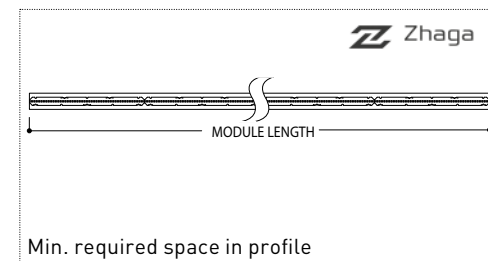
LED LAMPS	DIFFUSER	IP	2700K		3000K		4000K		POWER (W)	LENGTH /mm	LENGTH /ft
			NOT DIMM	DALI/TOUCH	NOT DIMM	DALI/TOUCH	NOT DIMM	DALI/TOUCH			
LUDO LEDSYSTEM UP HO 2x1100lm	FROSTED POLYCARBONATE H	IP 40	682726	682722	682826	682822	682926	682922	11,6	560	2
LUDO LEDSYSTEM UP HO 3x1100lm	FROSTED POLYCARBONATE H	IP 40	682736	682732	682836	682832	682936	682932	17,4	840	3
LUDO LEDSYSTEM UP HO 4x1100lm	FROSTED POLYCARBONATE H	IP 40	682746	682742	682846	682842	682946	682942	23,2	1120	4
LUDO LEDSYSTEM UP HO 5x1100lm	FROSTED POLYCARBONATE H	IP 40	682756	682752	682856	682852	682956	682952	29	1400	5
LUDO LEDSYSTEM UP HO 6x1100lm	FROSTED POLYCARBONATE H	IP 40	682766	682762	682866	682862	682966	682962	34,8	1680	6
LUDO LEDSYSTEM UP HO 7x1100lm	FROSTED POLYCARBONATE H	IP 40	682776	682772	682876	682872	682976	682972	40,6	1960	7
LUDO LEDSYSTEM UP HO 8x1100lm	FROSTED POLYCARBONATE H	IP 40	682786	682782	682886	682882	682986	682982	46,4	2240	8
LUDO LEDSYSTEM UP HO 9x1100lm	FROSTED POLYCARBONATE H	IP 40	682796	682792	682896	682892	682996	682992	52,2	2520	9
LUDO LEDSYSTEM UP HO 10x1100lm	FROSTED POLYCARBONATE H	IP 40	682706	682702	682806	682802	682906	682902	58	2800	10

SECTION VIEW LUDO UP

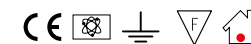


COMBINATION TABLE

		DOWN	
		HE	HO
UP	HE	●	●
	HO	●	N/A



INPUT VOLTAGE 230V AC



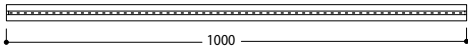



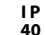




profiles



MODULE LEDLINE/M CR (convertor can be incorporated)



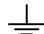





	24V DC						     				
Color Temperature	2700K		3000K		4000K		RED	AMBER	GREEN	ROYAL BLUE	RGB
	MEDIUM POWER	HIGH POWER	MEDIUM POWER	HIGH POWER	MEDIUM POWER	HIGH POWER	MEDIUM POWER	MEDIUM POWER	MEDIUM POWER	MEDIUM POWER	MEDIUM POWER
DOWN (diffuser S)	682179	682173	682172	682175	682170	682174	682145	682155	682165	682185	682195
UP (diffuser H)	682079	682073	682072	682075	682070	682074	682045	682055	682065	682085	682095
Power	9,6W/ m	14,4W/ m	9,6W/ m	14,4W/ m	9,6W/ m	14,4W/ m	9,6W/ m	9,6W/ m	9,6W/ m	9,6W/ m	14,4W/ m
Lumen output	672 lm/ m	1010 lm/ m	710 lm/ m	1060 lm/ m	740 lm/ m	1100 lm/ m	170 lm/ m	180 lm/ m	400 lm/ m	160 lm/ m	480lm/ m
CRI	92	92	92	92	92	92	n/a	n/a	n/a	n/a	n/a
Max. length 1 powerfeed	5 metres	5 metres	5 metres	5 metres	5 metres	5 metres	5 metres	5 metres	5 metres	5 metres	5 metres
Min. cutting length	50 mm	33 mm	50 mm	33 mm	50 mm	33 mm	50 mm	50 mm	50 mm	50 mm	100 mm



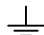
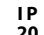


CONVERTER p.550

TROUGH LED POLYCARBONATE DIFFUSER INCLUDED

INTEGRATED CONVERTOR

input 230 V-AC output 24V-DC power 20W	fits in Ludo profile (no extra space required)		
			
			
	1-10V DIMM		
LUDO CONVERTOR MODULE	692910		

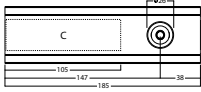
INTEGRATED CONVERTOR

input 230 V-AC output 24V-DC power 60W	fits in Ludo profile (no extra space required)		
			
			
	NOT DIMM	1-10V	DALI DIMM
LUDO CONVERTOR MODULE	692930	692940	692950

profiles

LUDO DOWN

MODULE 1 x LUXEON M



LUXEON M 3,82W
230 V - AC
400 lumen

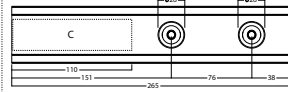
A++

CE, RoHS, IP 20, F, Home, 0.2

	2700K	3000K
TEXT. WHITE	683202	683262
TEXT. BLACK	683203	683263
GOLD	683205	683265

810847 COVER TEXT. WHITE P/M
810826 COVER TEXT. BLACK P/M

MODULE 2 x LUXEON M



LUXEON M 2 x 3,82W
230 V - AC
2 x 400 lumen

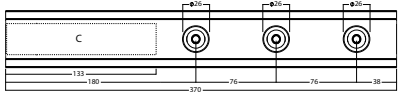
A++

CE, RoHS, IP 20, F, Home, 0.2

	2700K	3000K
TEXT. WHITE	683206	683266
TEXT. BLACK	683207	683267
GOLD	683209	683268

810847 COVER TEXT. WHITE P/M
810826 COVER TEXT. BLACK P/M

MODULE 3 x LUXEON M



LUXEON M 3 x 3,82W
230 V - AC
3 x 400 lumen

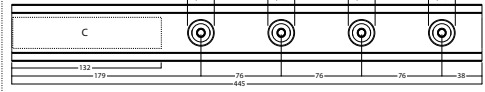
A++

CE, RoHS, IP 20, F, Home, 0.2

	2700K	3000K
TEXT. WHITE	683212	683272
TEXT. BLACK	683213	683273
GOLD	683215	683275

810847 COVER TEXT. WHITE P/M
810826 COVER TEXT. BLACK P/M

MODULE 4 x LUXEON M



LUXEON M 4 x 3,82W
230 V - AC
4 x 400 lumen

A++

CE, RoHS, IP 20, F, Home, 0.2

	2700K	3000K
TEXT. WHITE	683216	683276
TEXT. BLACK	683217	683277
GOLD	683219	683279

810847 COVER TEXT. WHITE P/M
810826 COVER TEXT. BLACK P/M

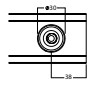


All distances between led modules are always minimum dimensions

LUDO DOWN

profiles

MODULE 1 x BULLED



LUXEON M 3,82W
230 V - AC
400 lumen

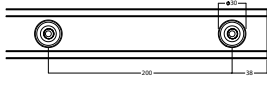
A++

CE, RoHS, IP 20, F, Home, 0.2

	2700K	3000K
TEXT. WHITE	684202	684262
TEXT. BLACK	684203	684263
BLACK + GOLD	684205	684265

810147 COVER TEXT. WHITE P/M
810126 COVER TEXT. BLACK P/M

MODULE 2 x BULLED



LUXEON M 2 x 3,82W
230 V - AC
2 x 400 lumen

A++

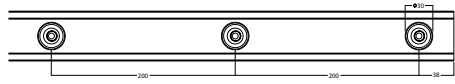
CE, RoHS, IP 20, F, Home, 0.2

	2700K	3000K
TEXT. WHITE	684206	684266
TEXT. BLACK	684207	684267
BLACK + GOLD	684209	684268

810147 COVER TEXT. WHITE P/M
810126 COVER TEXT. BLACK P/M



MODULE 3 x BULLED



LUXEON M 3 x 3,82W
230 V - AC
3 x 400 lumen

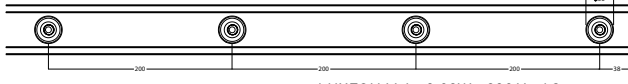
A++

CE, RoHS, IP 20, F, Home, 0.2

	2700K	3000K
TEXT. WHITE	684212	684272
TEXT. BLACK	684213	684273
BLACK + GOLD	684215	684275

810147 COVER TEXT. WHITE P/M
810126 COVER TEXT. BLACK P/M

MODULE 4 x BULLED



LUXEON M 4 x 3,82W - 230 V - AC
4 x 400 lumen

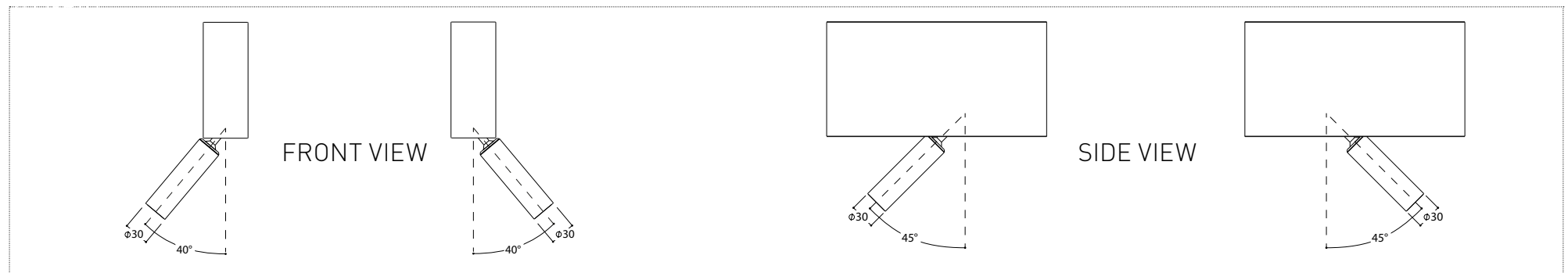
A++

CE, RoHS, IP 20, F, Home, 0.2

	2700K	3000K
TEXT. WHITE	684216	684276
TEXT. BLACK	684217	684277
BLACK + GOLD	684219	684279

810147 COVER TEXT. WHITE P/M
810126 COVER TEXT. BLACK P/M

MAXIMUM TILT ANGLES



All distances between led modules are always minimum dimensions





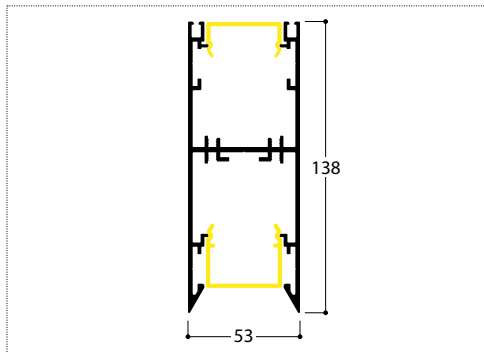
REQUEST CUSTOMER
SMALL UP/DOWN PROFILE
1 CIRCUIT
TEXT. WHITE COLOR
COLOR TEMPERATURE 2700K
COMBINATION LED SYSTEM AND ADJUSTABLE SPOTLIGHT



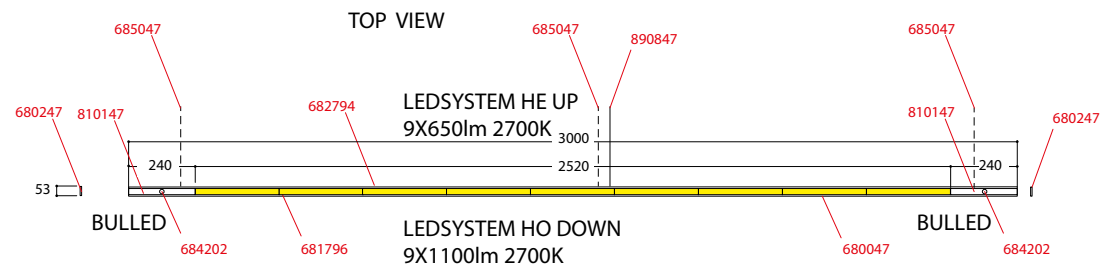
ORDERFORM

REFERENCE	DESCRIPTION	PCS / M
680047	PROFILE	3
680247	ENDCAP	2
682794	MODULE LEDSYSTEM HE UP 9X650Lm 2700K	1
681796	MODULE LEDSYSTEM HO DOWN 9X1100Lm 2700K	1
684202	MODULE 1X BULLED	1
810147	ALU COVER	0,48
685047	SUSPENSION SET	3
691047	CONNECTION SET ROUND	1

SECTION VIEW



DRAWING



OSCAR

design by Kurt Wallaey

profiles



« OSCAR refers to the legendary bull on which only a few bull riders could complete the regular 8 seconds ride, hence becoming a real legend. But OSCAR was also known as “the small bucking bull”, only weighing 1300pounds, very elegant yet performing and with an atypical violent spin to the left. The undefeated OSCAR has built himself a legendary status. »

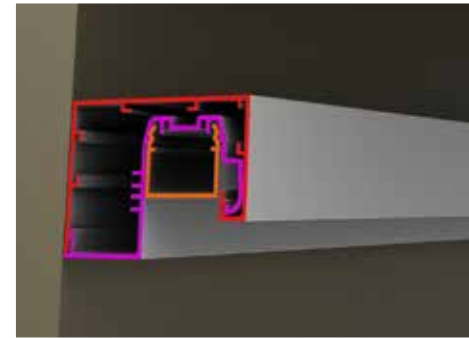
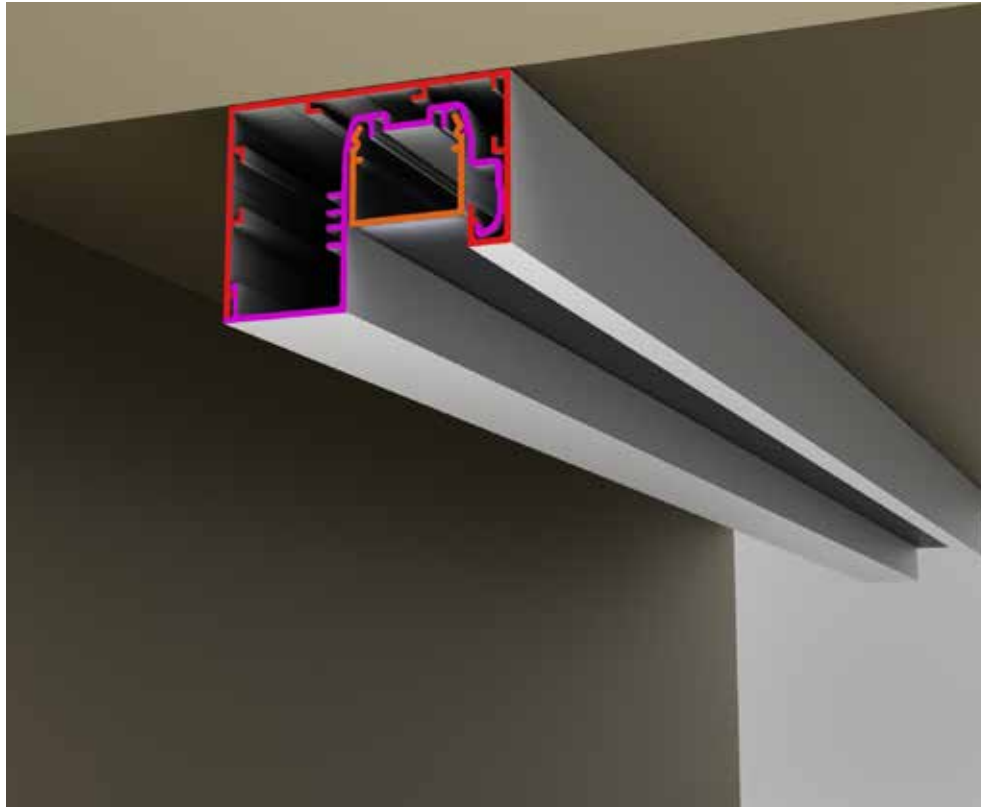
I wanted to design an entirely new and atypical lighting profile, different from all existing ones. It had to be shiny and elegant, but strong as a bull and containing a twist.

Thus **OSCAR** was conceived as an asymmetrical lighting profile, which contains an atypical spinning-possibility. This permits that the profile can be opened at any time, without having to demount the whole profile. The profile can even remain open during the mounting phase in order to make all the necessary electrical connections.

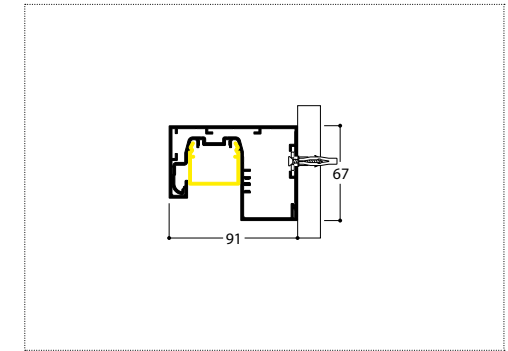
This unique spinning possibility together with a world of equipment possibilities and an unlimited range of different types of mounting gears, will eventually make that **OSCAR** - as an asymmetrical lighting profile - is destined to become a strong player on the functional and design lighting scene.



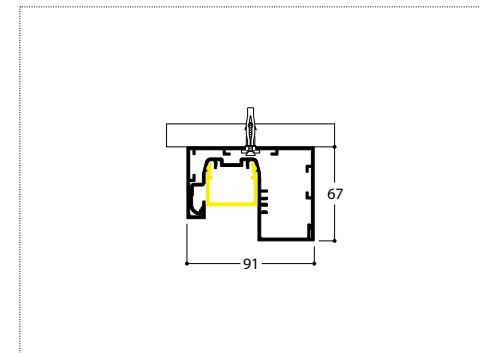




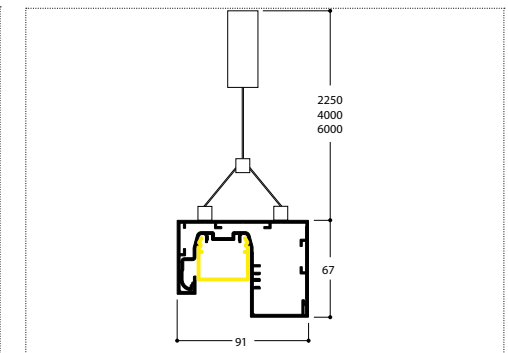
SECTION VIEW WALL



SECTION VIEW CEILING



SECTION VIEW SUSPENDED



PROFILES/ m



ENDCAP LEFT

1 SET = 2 PROFILES

2,6

TEXT. WHITE	690047
TEXT. BLACK	690026

5

TEXT. WHITE	690957
TEXT. BLACK	690936

ENDCAP RIGHT

5

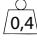
TEXT. WHITE	690947
TEXT. BLACK	690926

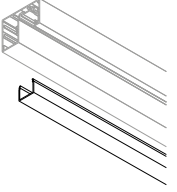
STRAIGHT CONNECTION

STRAIGHT CONNECTION	979100
---------------------	---------------

profiles

ALU COVER/ m

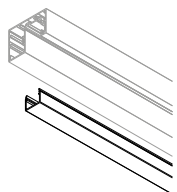
TO BE USED IN EMPTY PROFILE SPACES 



TEXT. WHITE	810147
TEXT. BLACK	810126

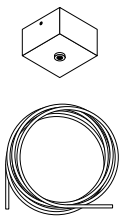
DIFFUSER/ m

TO BE USED IN EMPTY PROFILE SPACES




DIFFUSER FROSTED PC	810106
---------------------	---------------

CONNECTION SET SQUARE



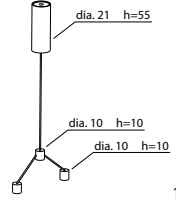
	3p			5p		
	2,25 m	4 m	6 m	2,25 m	4 m	6 m
TEXT. WHITE	890847	890947	891047	891147	891247	891347
TEXT. BLACK	890826	890926	891026	891126	891226	891326

EXTRA CIRCUIT/ m



COMMON NEUTRAL	892630
NO COMMON NEUTRAL	892631
SAME LENGTH AS PROFILE	

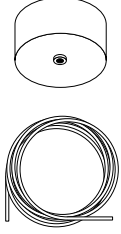
SUSPENSION SINGLE



1 suspension/ 1 m profile
min. 2 suspensions

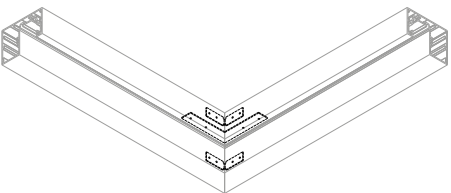
	2,25 m	4 m	6 m
TEXT. WHITE	695047	695147	695247
TEXT. BLACK	695026	695126	695226

CONNECTION SET ROUND



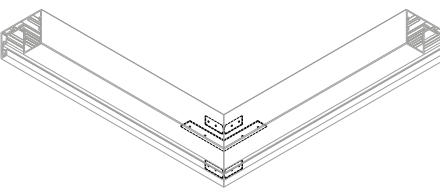
	3p			5p		
	2,25 m	4 m	6 m	2,25 m	4 m	6 m
TEXT. WHITE	691047	691147	691247	691347	691447	691547
TEXT. BLACK	691026	691126	691226	691326	691426	691526

INNER CORNER




CORNER 90°	979200
CORNER 135°	979300
CORNER 45-85° on request	979400

OUTER CORNER



CORNER 270°	979210
CORNER 315°	979310
CORNER 225-265° on request	979410

CONNECTION SET KOSMOS (recessed)



56 mm
Installation height 60 mm

	3p			5p		
	2,25 m	4 m	6 m	2,25 m	4 m	6 m
TEXT. WHITE	691057	691157	691257	691357	691457	691557
TEXT. BLACK	691036	691136	691236	691336	691436	691536

LEDSYSTEM HE - 2315 lm/meter

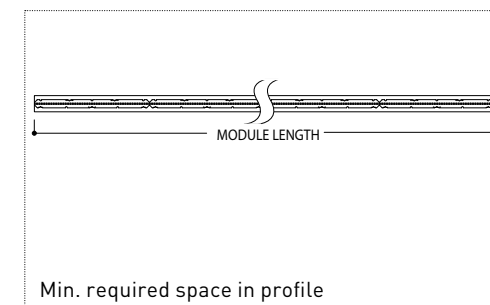


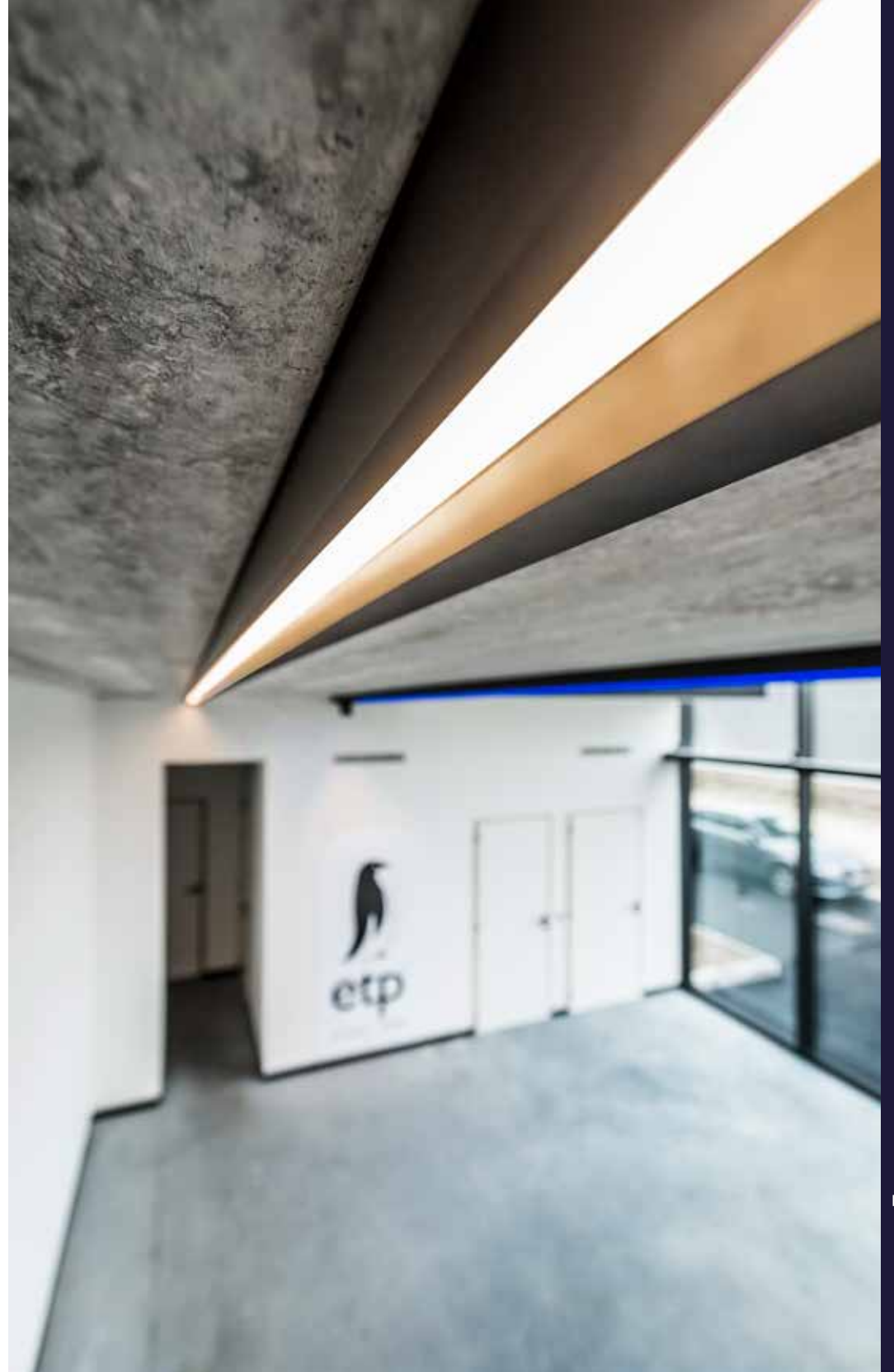
			2700K		3000K		4000K				
LED LAMPS	DIFFUSER	IP	NOT DIMM	DALI/TOUCH	NOT DIMM	DALI/TOUCH	NOT DIMM	DALI/TOUCH	POWER (W)	MODULE LENGTH /mm	MODULE LENGTH /ft
OSCAR LEDSYSTEM HE 2x650lm	FROSTED POLYCARBONATE	IP 40	691724	691720	691824	691820	691924	691920	7	560	2
OSCAR LEDSYSTEM HE 3x650lm	FROSTED POLYCARBONATE	IP 40	691734	691730	691834	691830	691934	691930	10,5	840	3
OSCAR LEDSYSTEM HE 4x650lm	FROSTED POLYCARBONATE	IP 40	691744	691740	691844	691840	691944	691940	14	1120	4
OSCAR LEDSYSTEM HE 5x650lm	FROSTED POLYCARBONATE	IP 40	691754	691750	691854	691850	691954	691950	17,5	1400	5
OSCAR LEDSYSTEM HE 6x650lm	FROSTED POLYCARBONATE	IP 40	691764	691760	691864	691860	691964	691960	21	1680	6
OSCAR LEDSYSTEM HE 7x650lm	FROSTED POLYCARBONATE	IP 40	691774	691770	691874	691870	691974	691970	24,5	1960	7
OSCAR LEDSYSTEM HE 8x650lm	FROSTED POLYCARBONATE	IP 40	691784	691780	691884	691880	691984	691980	28	2240	8
OSCAR LEDSYSTEM HE 9x650lm	FROSTED POLYCARBONATE	IP 40	691794	691790	691894	691890	691994	691990	31,5	2520	9
OSCAR LEDSYSTEM HE 10x650lm	FROSTED POLYCARBONATE	IP 40	691704	691700	691804	691800	691904	691900	35	2800	10

LEDSYSTEM HO - 3925 lm/meter



			2700K		3000K		4000K				
LED LAMPS	DIFFUSER	IP	NOT DIMM	DALI/TOUCH	NOT DIMM	DALI/TOUCH	NOT DIMM	DALI/TOUCH	POWER (W)	MODULE LENGTH /mm	MODULE LENGTH /ft
OSCAR LEDSYSTEM HO 2x1100lm	FROSTED POLYCARBONATE	IP 40	691726	691722	691826	691822	691926	691922	11,6	560	2
OSCAR LEDSYSTEM HO 3x1100lm	FROSTED POLYCARBONATE	IP 40	691736	691732	691836	691832	691936	691932	17,4	840	3
OSCAR LEDSYSTEM HO 4x1100lm	FROSTED POLYCARBONATE	IP 40	691746	691742	691846	691842	691946	691942	23,2	1120	4
OSCAR LEDSYSTEM HO 5x1100lm	FROSTED POLYCARBONATE	IP 40	691756	691752	691856	691852	691956	691952	29	1400	5
OSCAR LEDSYSTEM HO 6x1100lm	FROSTED POLYCARBONATE	IP 40	691766	691762	691866	691862	691966	691962	34,8	1680	6
OSCAR LEDSYSTEM HO 7x1100lm	FROSTED POLYCARBONATE	IP 40	691776	691772	691876	691872	691976	691972	40,6	1960	7
OSCAR LEDSYSTEM HO 8x1100lm	FROSTED POLYCARBONATE	IP 40	691786	691782	691886	691882	691986	691982	46,4	2240	8
OSCAR LEDSYSTEM HO 9x1100lm	FROSTED POLYCARBONATE	IP 40	691796	691792	691896	691892	691996	691992	52,2	2520	9
OSCAR LEDSYSTEM HO 10x1100lm	FROSTED POLYCARBONATE	IP 40	691706	691702	691806	691802	691906	691902	58	2800	10









MODULE LEDLINE/M



	24V DC										
	2700K		3000K		4000K		RED	AMBER	GREEN	ROYAL BLUE	RGB
Color Temperature	MEDIUM POWER	HIGH POWER	MEDIUM POWER	HIGH POWER	MEDIUM POWER	HIGH POWER	MEDIUM POWER	MEDIUM POWER	MEDIUM POWER	MEDIUM POWER	MEDIUM POWER
Frosted diffuser	692179	692173	692172	692175	692170	692174	692145	692155	692165	692185	692195
Power	9,6W/ m	14,4W/ m	9,6W/ m	14,4W/ m	9,6W/ m	14,4W/ m	9,6W/ m	9,6W/ m	9,6W/ m	9,6W/ m	14.4W/ m
Lumen output	672 lm/ m	1010 lm/ m	710 lm/ m	1060 lm/ m	740 lm/ m	1100 lm/ m	170 lm/ m	180 lm/ m	400 lm/ m	160 lm/ m	480lm/ m
CRI	92	92	92	92	92	92	n/a	n/a	n/a	n/a	n/a
Max. length 1 powerfeed	5 metres	5 metres	5 metres	5 metres	5 metres	5 metres	5 metres	5 metres	5 metres	5 metres	5 metres
Min. cutting length	50 mm	33 mm	50 mm	33 mm	50 mm	33 mm	50 mm	50 mm	50 mm	50 mm	100 mm



CONVERTER p.550

FROSTED POLYCARBONATE DIFFUSER INCLUDED

INTEGRATED CONVERTOR

input 230 V-AC output 24V-DC power 20W	fits in Oscar profile (no extra space required)		
	1-10V DIMM		
OSCAR CONVERTOR MODULE	692910		

INTEGRATED CONVERTOR

input 230 V-AC output 24V-DC power 60W	fits in Oscar profile (no extra space required)		
	NOT DIMM	1-10V	DALI DIMM
OSCAR CONVERTOR MODULE	692930	692940	692950





MODULE 1 x LUXEON M



LUXEON M 3,82W
230 V - AC
400 lumen

A++

CE IP 20

	2700K	3000K
TEXT. WHITE	693202	693262
TEXT. BLACK	693203	693263
GOLD	693205	693265

COVER TEXT. WHITE P/M
 COVER TEXT. BLACK P/M

MODULE 2 x LUXEON M



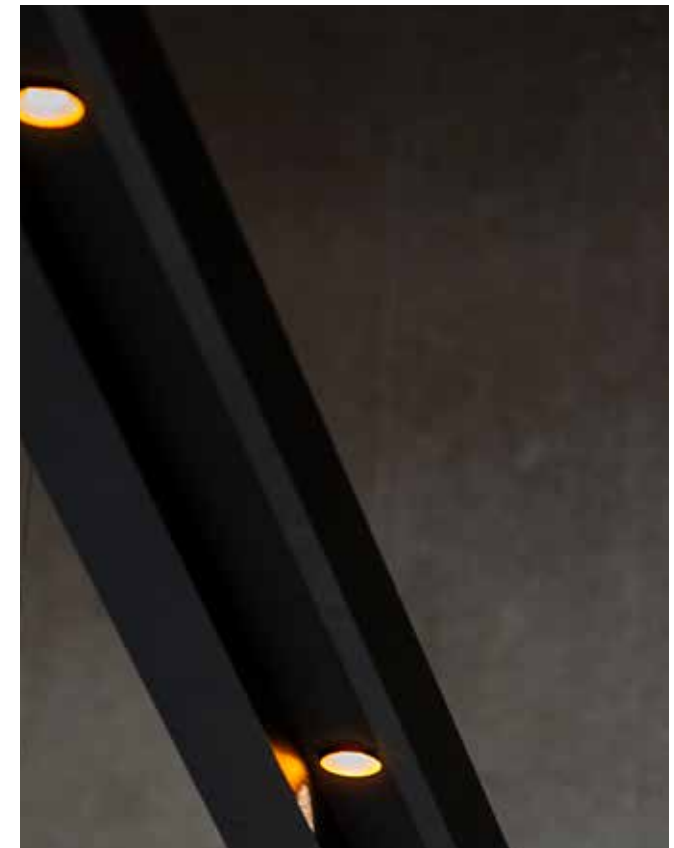
LUXEON M 2 x 3,82W
230 V - AC
2 x 400 lumen

A++

CE IP 20

	2700K	3000K
TEXT. WHITE	693206	693266
TEXT. BLACK	693207	693267
GOLD	693209	693269

COVER TEXT. WHITE P/M
 COVER TEXT. BLACK P/M



MODULE 3 x LUXEON M



LUXEON M 3 x 3,82W
230 V - AC
3 x 400 lumen

A++

CE IP 20

	2700K	3000K
TEXT. WHITE	693212	693272
TEXT. BLACK	693213	693273
GOLD	693215	693275

COVER TEXT. WHITE P/M
 COVER TEXT. BLACK P/M

MODULE 4 x LUXEON M



LUXEON M 4 x 3,82W
230 V - AC
4 x 400 lumen

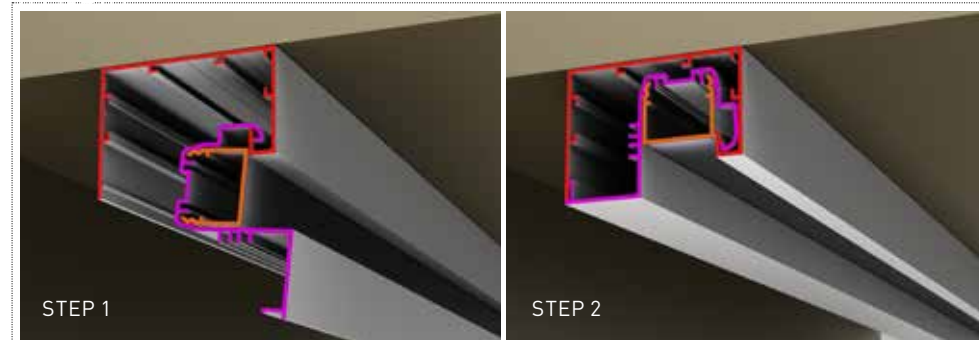
A++

CE IP 20

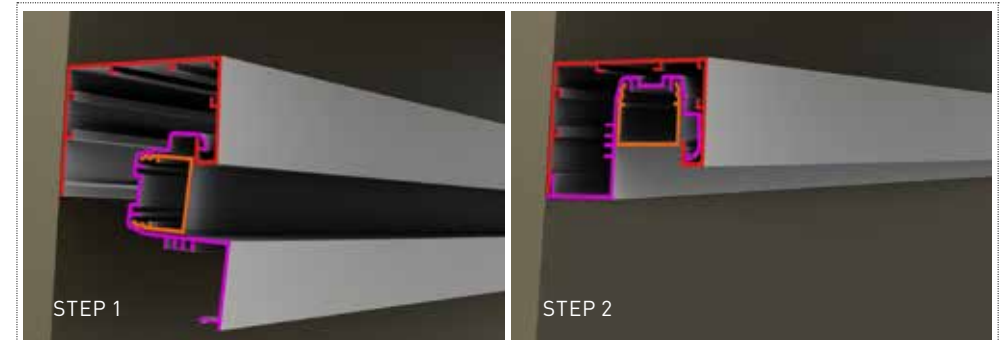
	2700K	3000K
TEXT. WHITE	693216	693276
TEXT. BLACK	693217	693277
GOLD	693219	693279

COVER TEXT. WHITE P/M
 COVER TEXT. BLACK P/M

EASY CEILING installation & maintenance



EASY WALL installation & maintenance



All distances between led modules are always minimum dimensions



MODULE 1 x BULLED



LUXEON M 3,82W
230 V - AC
400 lumen

A++

CE IP 20 F 0,2

	2700K	3000K
TEXT. WHITE	694202	694262
TEXT. BLACK	694203	694263
BLACK + GOLD	694205	694265

810147 COVER TEXT. WHITE P/M
 810126 COVER TEXT. BLACK P/M

MODULE 2 x BULLED



LUXEON M 2 x 3,82W
230 V - AC
2 x 400 lumen

A++

CE IP 20 F 0,2

	2700K	3000K
TEXT. WHITE	694206	694266
TEXT. BLACK	694207	694267
BLACK + GOLD	694209	694269

810147 COVER TEXT. WHITE P/M
 810126 COVER TEXT. BLACK P/M



MODULE 3 x BULLED



LUXEON M 3 x 3,82W
230 V - AC
3 x 400 lumen

A++

CE IP 20 F 0,2

	2700K	3000K
TEXT. WHITE	694212	694272
TEXT. BLACK	694213	694273
BLACK + GOLD	694215	694275

810147 COVER TEXT. WHITE P/M
 810126 COVER TEXT. BLACK P/M

MODULE 4 x BULLED



LUXEON M 4 x 3,82W - 230 V - AC
4 x 400 lumen

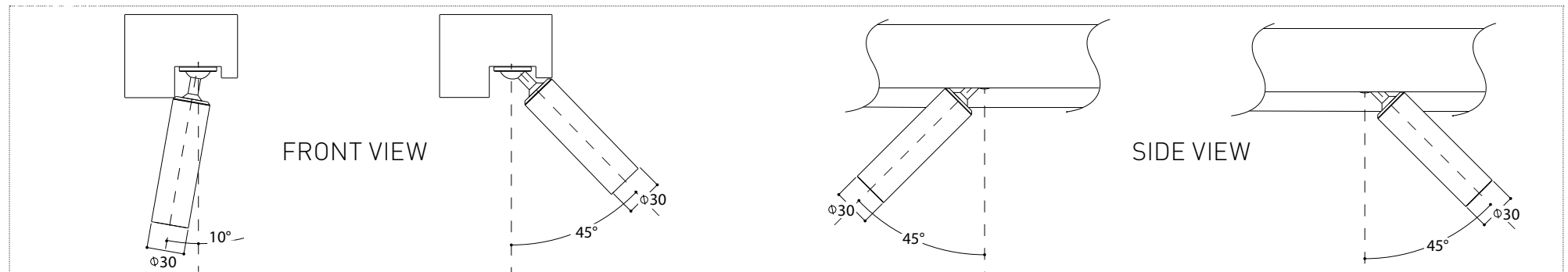
A++

CE IP 20 F 0,2

	2700K	3000K
TEXT. WHITE	694216	694276
TEXT. BLACK	694217	694277
BLACK + GOLD	694219	694279

810147 COVER TEXT. WHITE P/M
 810126 COVER TEXT. BLACK P/M

MAXIMUM TILT ANGLES



All distances between led modules are always minimum dimensions





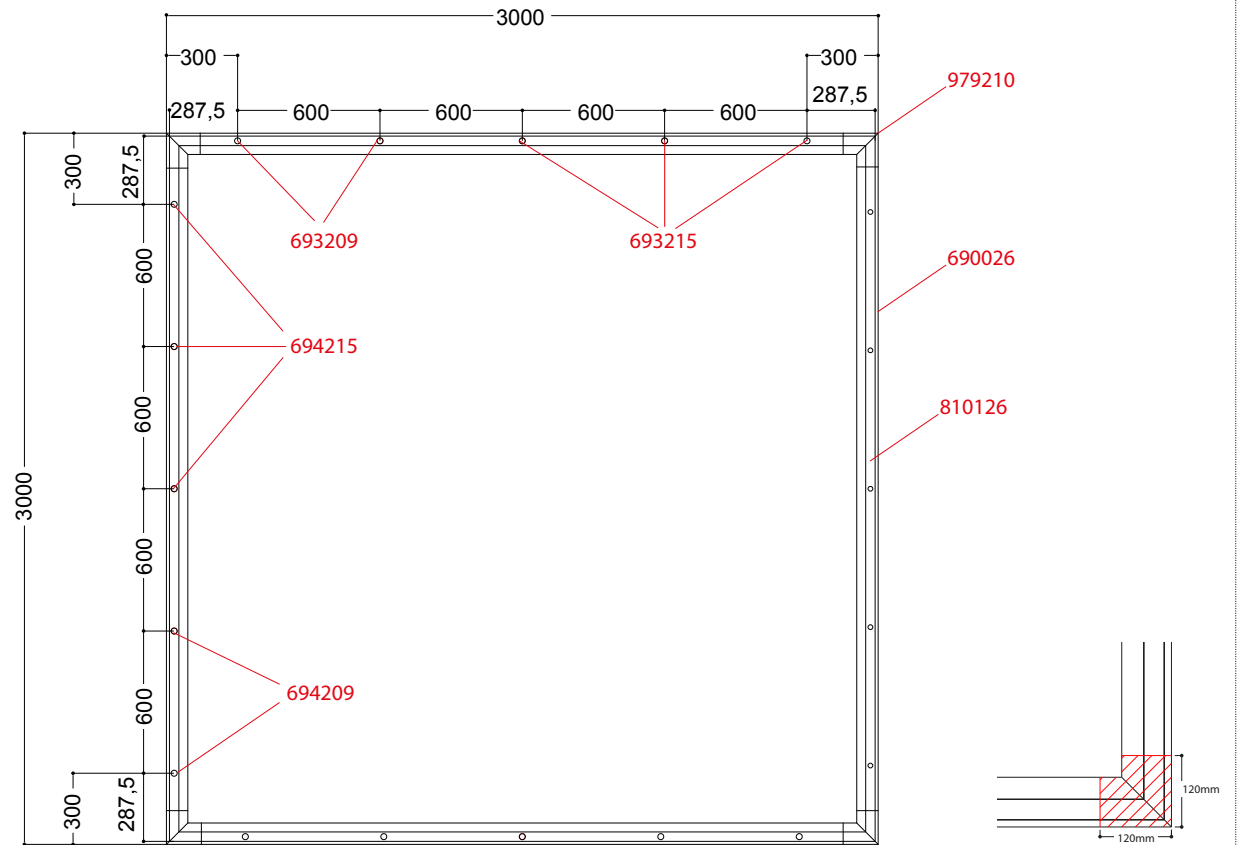
REQUEST CUSTOMER

OSCAR PROFILE
 1 CIRCUIT
 TEXT. BLACK COLOR
 SQUARE SHAPE
 COLOR TEMPERATURE 2700K
 COMBINATION OF FIXED AND ORIENTABLE SPOTS
 ALL LIGHTS BLACK & GOLD

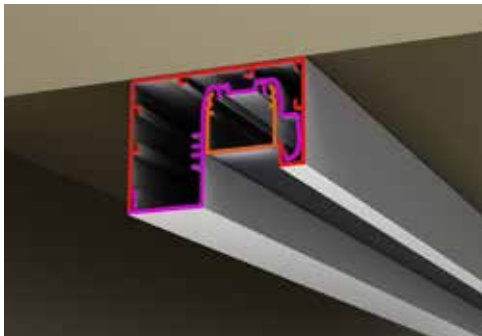
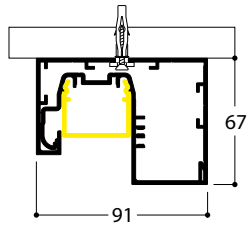
ORDERFORM

REFERENCE	DESCRIPTION	PCS or M
690026	PROFILE SET (2 PROFILES)	12 (3 + 3 + 3 + 3)
810126	ALU COVER	12 (3 + 3 + 3 + 3)
694209	MODULE 2 X BULLED 2700K	2
694215	MODULE 3 X BULLED 2700K	2
693209	MODULE 2 X LUXEON 2700K	2
693215	MODULE 3 X LUXEON 2700K	2
979210	OUTER CORNER 90°	4

DRAWING

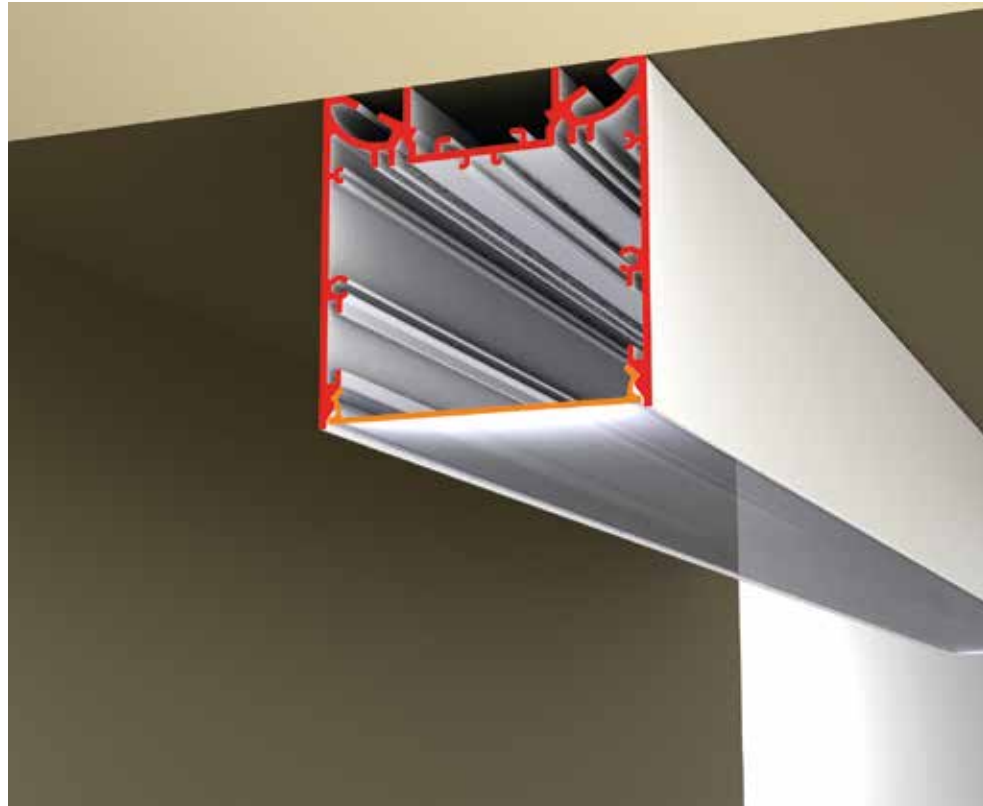


SECTION VIEW



DORMENT

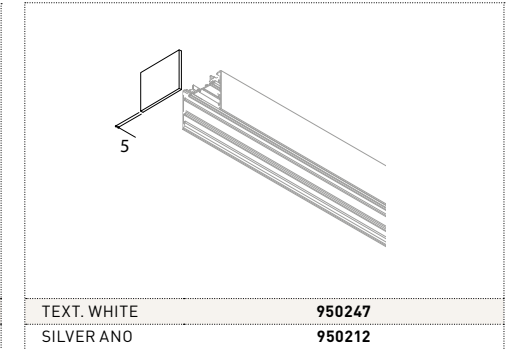
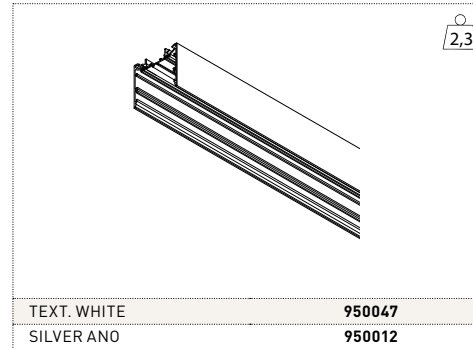
profiles



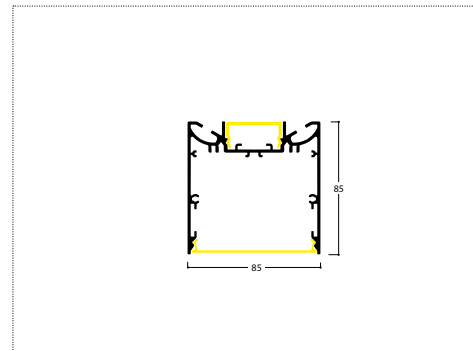
PROFILE/ m



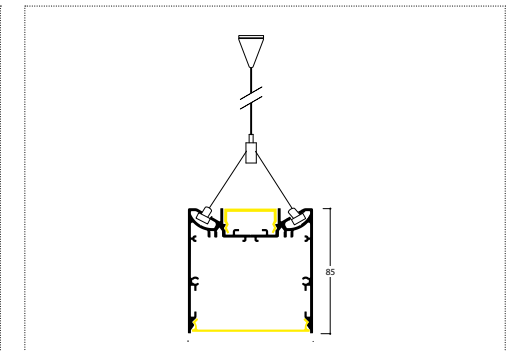
ENDCAP



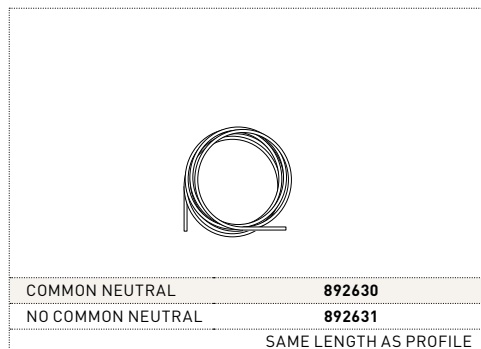
SECTION VIEW SURFACE



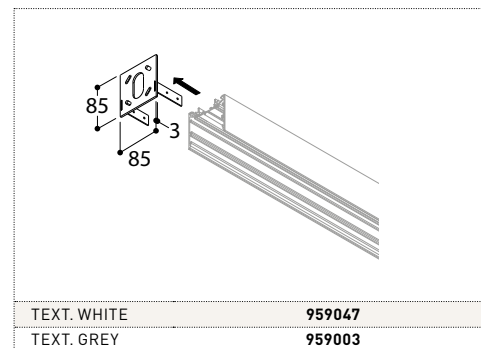
SECTION VIEW SUSPENDED



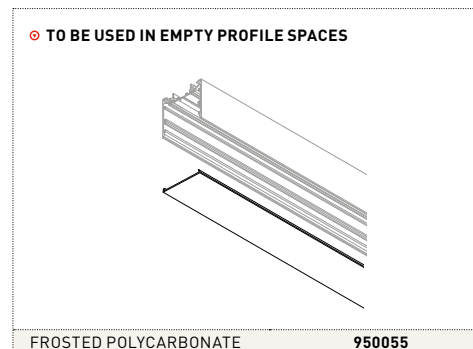
EXTRA CIRCUIT/ m



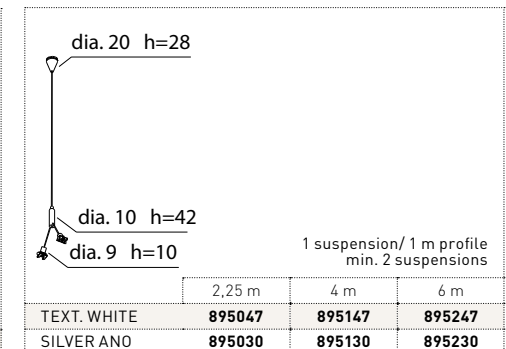
WALL FIXATION



DIFFUSER/ m



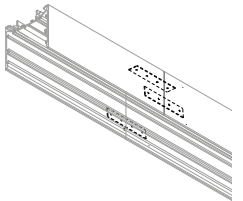
SUSPENSION KIT



profiles

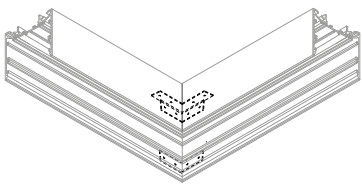
DORMENT

STRAIGHT CONNECTION



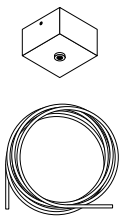
STRAIGHT CONNECTION	950060
---------------------	---------------

CORNER

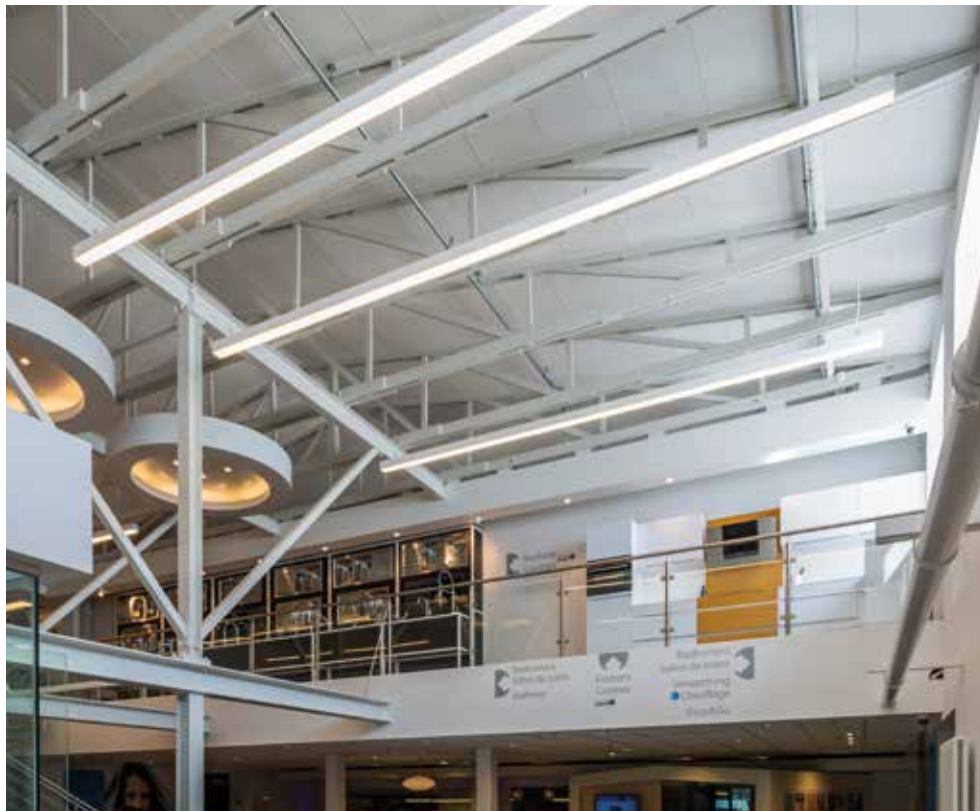


CORNER 90°	950070
CORNER 135°	950080
CORNER 45° - 85° on request	950090

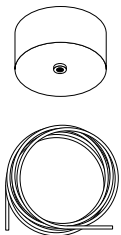
CONNECTION SET SQUARE



	3p			5p		
	2,25 m	4 m	6 m	2,25 m	4 m	6 m
TEXT. WHITE	890847	890947	891047	891147	891247	891347
TEXT. BLACK	890826	890926	891026	891126	891226	891326




CONNECTION SET ROUND



	3p			5p		
	2,25 m	4 m	6 m	2,25 m	4 m	6 m
TEXT. WHITE	691047	691147	691247	691347	691447	691547
TEXT. BLACK	691026	691126	691226	691326	691426	691526

CONNECTION SET KOSMOS (recessed)



⌀ 56 mm
 Installation height 60 mm

	3p			5p		
	2,25 m	4 m	6 m	2,25 m	4 m	6 m
TEXT. WHITE	691057	691157	691257	691357	691457	691557
TEXT. BLACK	691036	691136	691236	691336	691436	691536

DORMENT

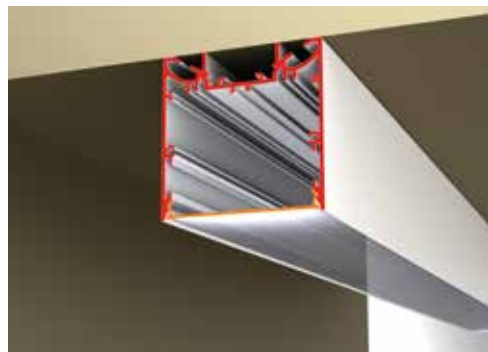
LEDSYSTEM DOUBLE ROW HE - 2315 lm/meter

profiles

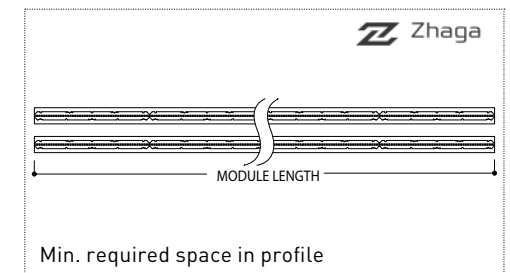
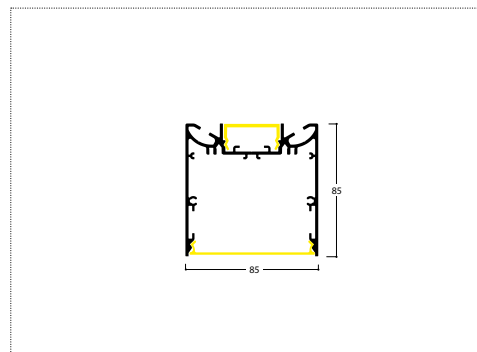


LED LAMPS	DIFFUSER	IP	2700K		3000K		4000K		POWER (W)	LENGTH /mm	LENGTH /ft
			NOT DIMM	DALI/TOUCH	NOT DIMM	DALI/TOUCH	NOT DIMM	DALI/TOUCH			
DORMENT OPAL LEDSYSTEM HE 2x 2x650lm	FROSTED POLYCARBONATE	IP 40	950726	950722	950724	950720	950725	950721	14	560	2
DORMENT OPAL LEDSYSTEM HE 2x 3x650lm	FROSTED POLYCARBONATE	IP 40	950736	950732	950734	950730	950735	950731	21	840	3
DORMENT OPAL LEDSYSTEM HE 2x 4x650lm	FROSTED POLYCARBONATE	IP 40	950746	950742	950744	950740	950745	950741	28	1120	4
DORMENT OPAL LEDSYSTEM HE 2x 5x650lm	FROSTED POLYCARBONATE	IP 40	950756	950752	950754	950750	950755	950751	35	1400	5
DORMENT OPAL LEDSYSTEM HE 2x 6x650lm	FROSTED POLYCARBONATE	IP 40	950766	950762	950764	950760	950765	950761	42	1680	6
DORMENT OPAL LEDSYSTEM HE 2x 7x650lm	FROSTED POLYCARBONATE	IP 40	950776	950772	950774	950770	950775	950771	49	1960	7
DORMENT OPAL LEDSYSTEM HE 2x 8x650lm	FROSTED POLYCARBONATE	IP 40	950786	950782	950784	950780	950785	950781	56	2240	8
DORMENT OPAL LEDSYSTEM HE 2x 9x650lm	FROSTED POLYCARBONATE	IP 40	950796	950792	950794	950790	950795	950791	63	2520	9
DORMENT OPAL LEDSYSTEM HE 2x 10x650lm	FROSTED POLYCARBONATE	IP 40	950706	950702	950704	950700	950705	950701	70	2800	10

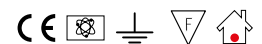
DORMENT



SECTION VIEW



INPUT VOLTAGE 230V AC



profiles

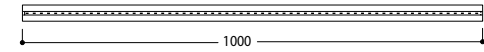
MODULE LEDLINE/ m UP

DORMENT



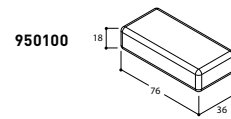
Color Temperature	2700K	3000K	4000K	RED	AMBER	GREEN	ROYAL BLUE	RGB
	MEDIUM POWER	MEDIUM POWER	MEDIUM POWER	MEDIUM POWER	MEDIUM POWER	MEDIUM POWER	MEDIUM POWER	MEDIUM POWER
Reference diffuser H	819216	819226	819236	819285	819286	819287	819288	819095
Power	9,6W/ m	9,6W/ m	9,6W/ m	9,6W/ m	9,6W/ m	9,6W/ m	9,6W/ m	14.4W/ m
Lumen output	672 lm/ m	710 lm/ m	740 lm/ m	170 lm/ m	180 lm/ m	400 lm/ m	160 lm/ m	480lm/ m
CRI	92	92	92	n/a	n/a	n/a	n/a	n/a
Max. length 1 powerfeed	5 metres	5 metres	5 metres	5 metres	5 metres	5 metres	5 metres	5 metres
Min. cutting length	50 mm	50 mm	50 mm	50 mm	50 mm	50 mm	50 mm	100 mm

LEDLINE can be cut every 50 mm



24V DC

- BUILT IN CONVERTER MODULE 230V 10VA
 In combination with T5 modules no extra space required.
 1 module per 2 m ledline.





HOW TO COMPOSE DORMENT

REQUEST CUSTOMER

SMALL DOUBLE LAMP PROFILE APPROX 2,8 M
 TEXTURED WHITE
 LEDSYSTEM
 DALI DIMMABLE

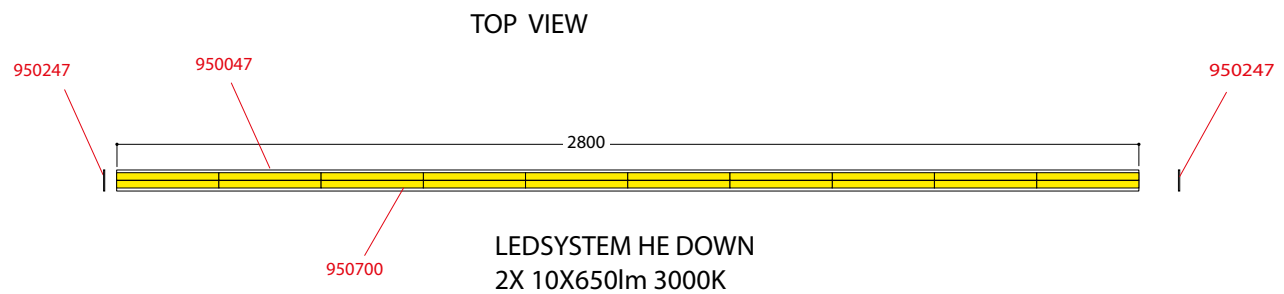
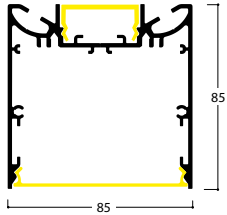


ORDERFORM

REFERENCE	DESCRIPTION	PCS / M
950047	PROFILE TEXT. WHITE	2,8
950247	ENDCAP TEXT. WHITE	2
950700	LEDSYSTEM HE DOWN 2X 10X650LUMEN - 3000K - DALI DIMM	1

DRAWING

SECTION VIEW



BORITI

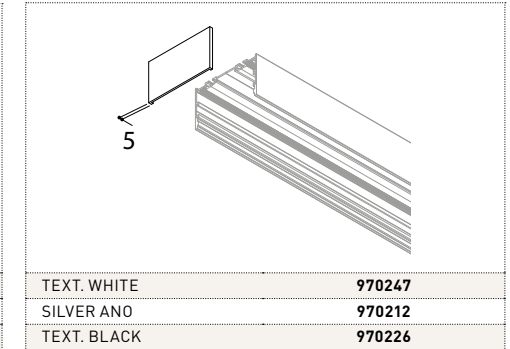
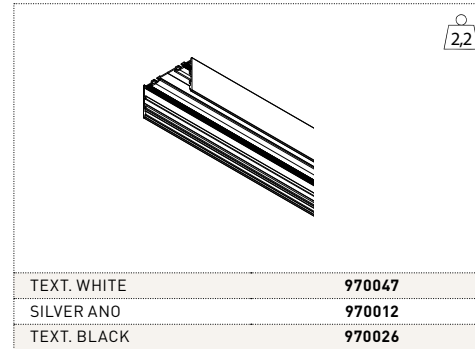
profiles



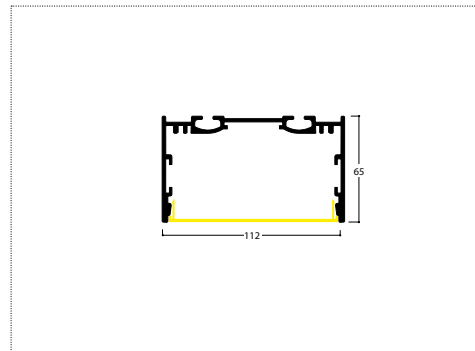
PROFILE/ m



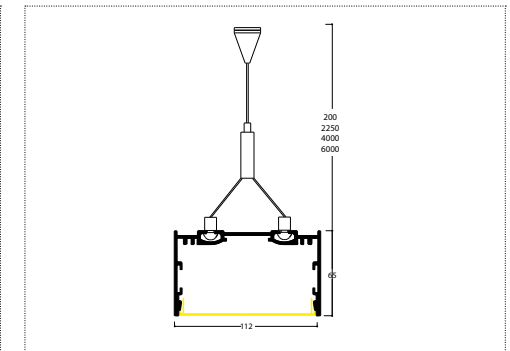
ENDCAP



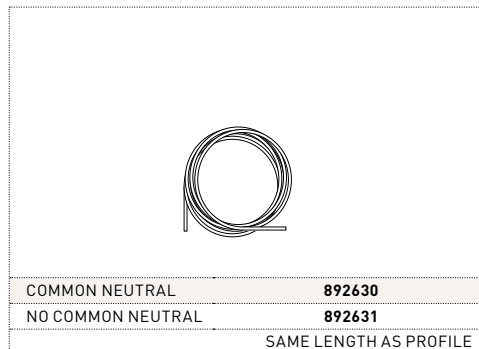
SECTION VIEW SURFACE



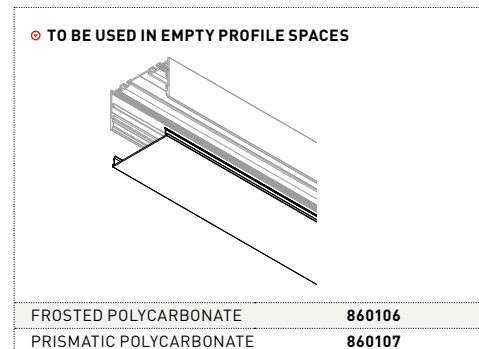
SECTION VIEW SUSPENDED



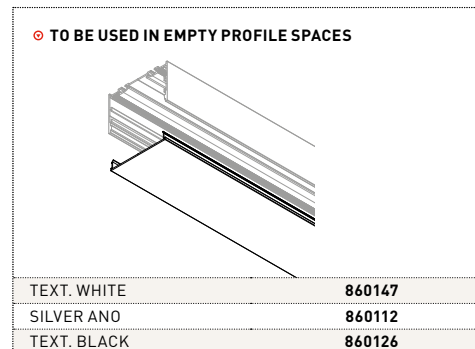
EXTRA CIRCUIT/ m



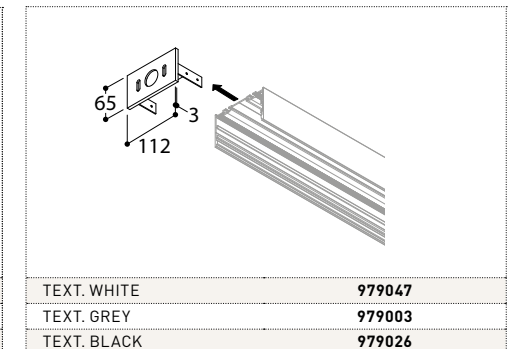
DIFFUSER/ m



COVER/ m

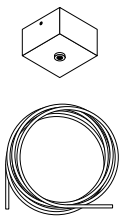


WALL FIXATION



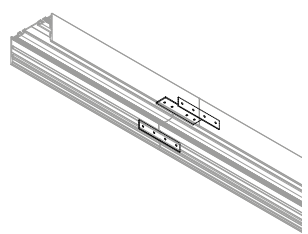


CONNECTION SET SQUARE



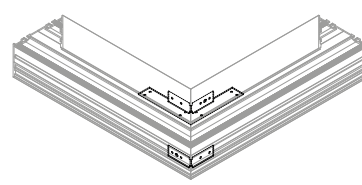
	3p			5p		
	2,25 m	4 m	6 m	2,25 m	4 m	6 m
TEXT. WHITE	890847	890947	891047	891147	891247	891347
TEXT. BLACK	890826	890926	891026	891126	891226	891326

STRAIGHT CONNECTION



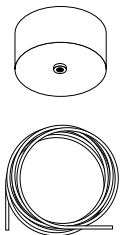
STRAIGHT CONNECTION	979100
---------------------	---------------

CORNER



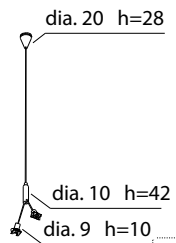
CORNER 90°	979200
CORNER 135°	979300
CORNER 45° - 85° on request	979400

CONNECTION SET ROUND



	3p			5p		
	2,25 m	4 m	6 m	2,25 m	4 m	6 m
TEXT. WHITE	691047	691147	691247	691347	691447	691547
TEXT. BLACK	691026	691126	691226	691326	691426	691526

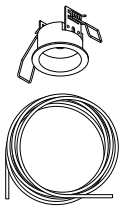
SUSPENSION KIT



1 suspension/ 1 m profile
min. 2 suspensions

	2,25 m	4 m	6 m
TEXT. WHITE	895047	895147	895247
SILVER ANO	895030	895130	895230
TEXT. BLACK	895026	895126	895226

CONNECTION SET KOSMOS (recessed)



56 mm
Installation height 60 mm

	3p			5p		
	2,25 m	4 m	6 m	2,25 m	4 m	6 m
TEXT. WHITE	691057	691157	691257	691357	691457	691557
TEXT. BLACK	691036	691136	691236	691336	691436	691536

BORITI

LEDSYSTEM DOUBLE ROW HE - 4630 lm/meter

profiles

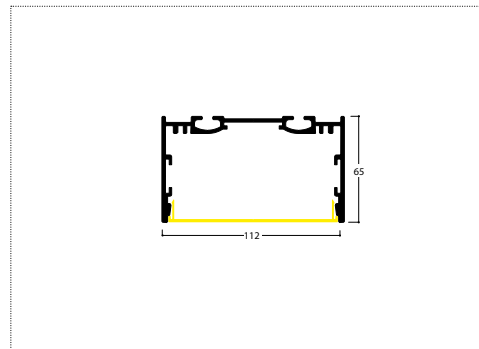


LED LAMPS	DIFFUSER	IP	2700K		3000K		4000K		POWER (W)	LENGTH /mm	LENGTH /ft
			NOT DIMM	DALI/TOUCH	NOT DIMM	DALI/TOUCH	NOT DIMM	DALI/TOUCH			
BORITI DOUBLE LEDLINE 2x1300lm	FROSTED POLYCARBONATE	IP 40	971726	971722	971724	971720	971725	971721	14	560	2
	PRISMATIC POLYCARBONATE	IP 40	971626	971622	971624	971620	971625	971621			
BORITI DOUBLE LEDLINE 3x1300lm	FROSTED POLYCARBONATE	IP 40	971736	971732	971734	971730	971735	971731	21	840	3
	PRISMATIC POLYCARBONATE	IP 40	971636	971632	971634	971630	971635	971631			
BORITI DOUBLE LEDLINE 4x1300lm	FROSTED POLYCARBONATE	IP 40	971746	971742	971744	971740	971745	971741	28	1120	4
	PRISMATIC POLYCARBONATE	IP 40	971646	971642	971644	971640	971645	971641			
BORITI DOUBLE LEDLINE 5x1300lm	FROSTED POLYCARBONATE	IP 40	971756	971752	971754	971750	971755	971751	35	1400	5
	PRISMATIC POLYCARBONATE	IP 40	971656	971652	971654	971650	971655	971651			
BORITI DOUBLE LEDLINE 6x1300lm	FROSTED POLYCARBONATE	IP 40	971766	971762	971764	971760	971765	971761	42	1680	6
	PRISMATIC POLYCARBONATE	IP 40	971666	971662	971664	971660	971665	971661			
BORITI DOUBLE LEDLINE 7x1300lm	FROSTED POLYCARBONATE	IP 40	971776	971772	971774	971770	971775	971771	49	1960	7
	PRISMATIC POLYCARBONATE	IP 40	971676	971672	971674	971670	971675	971671			
BORITI DOUBLE LEDLINE 8x1300lm	FROSTED POLYCARBONATE	IP 40	971786	971782	971784	971780	971785	971781	56	2240	8
	PRISMATIC POLYCARBONATE	IP 40	971686	971682	971684	971680	971685	971681			
BORITI DOUBLE LEDLINE 9x1300lm	FROSTED POLYCARBONATE	IP 40	971796	971792	971794	971790	971795	971791	63	2520	9
	PRISMATIC POLYCARBONATE	IP 40	971696	971692	971694	971690	971695	971691			
BORITI DOUBLE LEDLINE 10x1300lm	FROSTED POLYCARBONATE	IP 40	971706	971702	971704	971700	971705	971701	70	2800	10
	PRISMATIC POLYCARBONATE	IP 40	971606	971602	971604	971600	971605	971601			

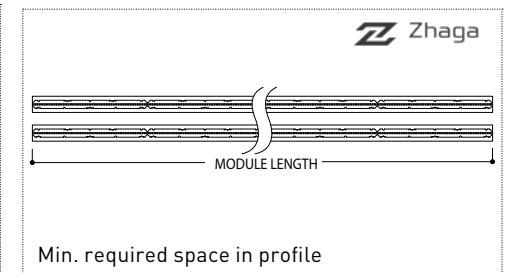
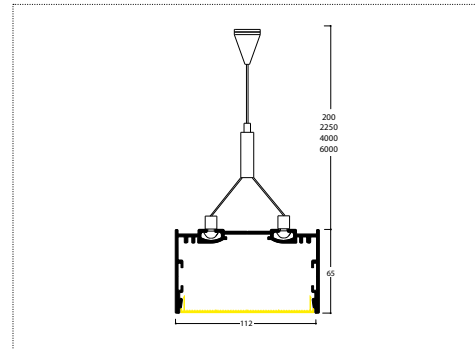
BORITI



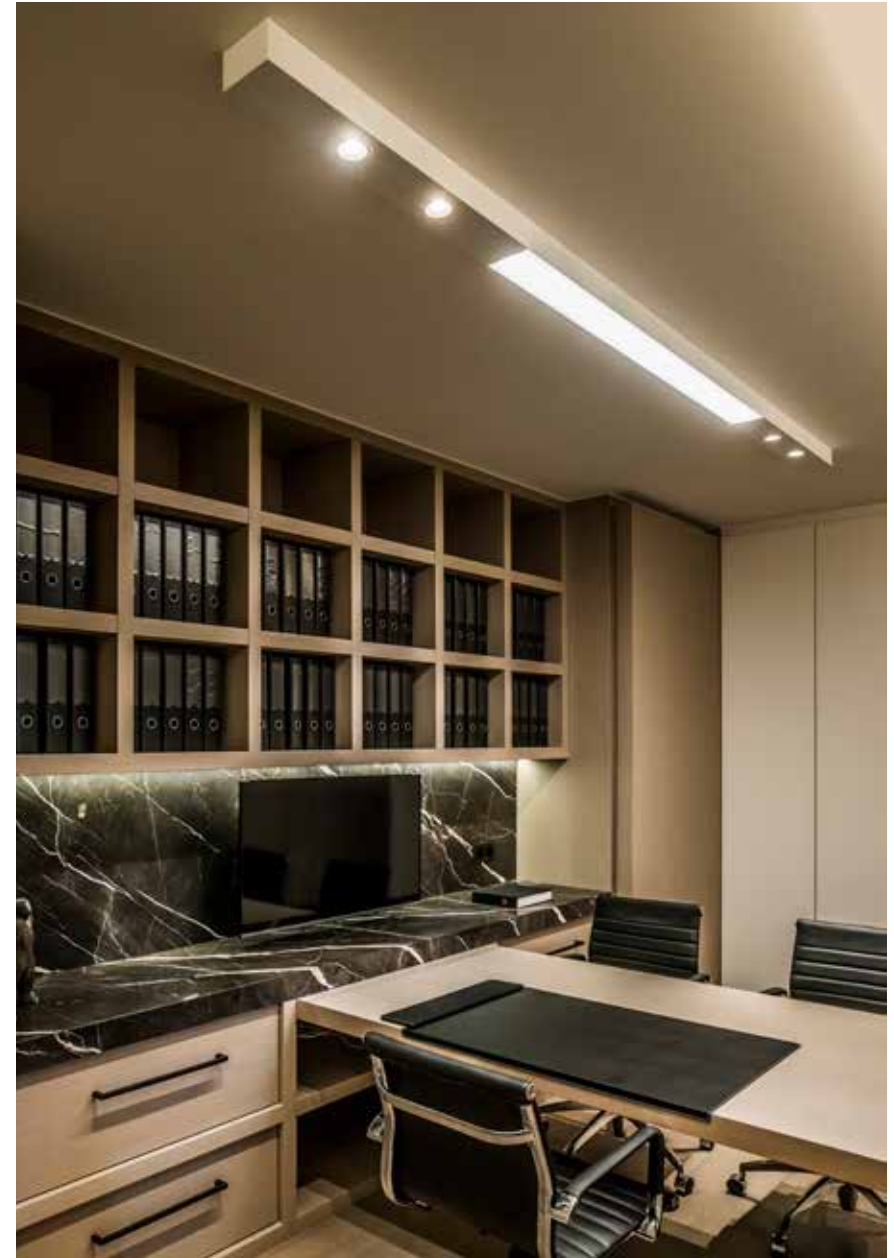
SECTION VIEW



SECTION VIEW SUSPENDED



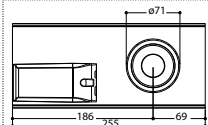
INPUT VOLTAGE 230V AC     





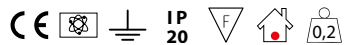


MODULE 1 x BEAUFORT



CITIZEN 6,22W
230 V - AC
758 lumen
not dimmable

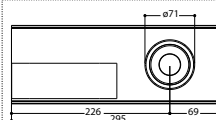
CRI 92
↔ 359° ↕ 30°
beam 36°



A+	2700K	3000K
TEXT. WHITE	972047	972057
TEXT. BLACK	972026	972036

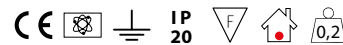
- COVER TEXT. WHITE P/M **860147**
- COVER ANO P/M **860112**
- COVER TEXT. BLACK P/M **860126**

MODULE 1 x BEAUFORT dim 1-10V



CITIZEN 6,22W
230 V - AC
758 lumen
dimmable 1-10V

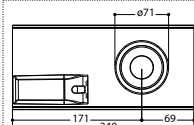
CRI 92
↔ 359° ↕ 30°
beam 36°



A+	2700K	3000K
TEXT. WHITE	972247	972257
TEXT. BLACK	972226	972236

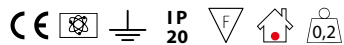
- COVER TEXT. WHITE P/M **860147**
- COVER ANO P/M **860112**
- COVER TEXT. BLACK P/M **860126**

MODULE 1 x BEAUFORT dim DALI



CITIZEN 6,22W
230 V - AC
758 lumen
dimmable DALI

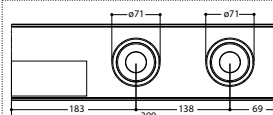
CRI 92
↔ 359° ↕ 30°
beam 36°



A+	2700K	3000K
TEXT. WHITE	972447	972457
TEXT. BLACK	972426	972436

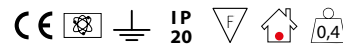
- COVER TEXT. WHITE P/M **860147**
- COVER ANO P/M **860112**
- COVER TEXT. BLACK P/M **860126**

MODULE 2 x BEAUFORT dim 1-10V



CITIZEN 6,22W
230 V - AC
758 lumen
dimmable 1-10V

CRI 92
↔ 359° ↕ 30°
beam 36°



A+	2700K	3000K
TEXT. WHITE	972347	972357
TEXT. BLACK	972326	972336

- COVER TEXT. WHITE P/M **860147**
- COVER ANO P/M **860112**
- COVER TEXT. BLACK P/M **860126**







REQUEST CUSTOMER

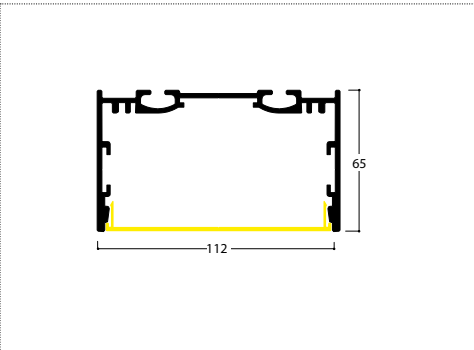
SLIM PROFILE 2,02 M
 BLACK COLOR
 8 ORIENTABLE LED SPOTLIGHTS
 SUSPENDED
 DIM PROTOCOL 1-10V



ORDERFORM

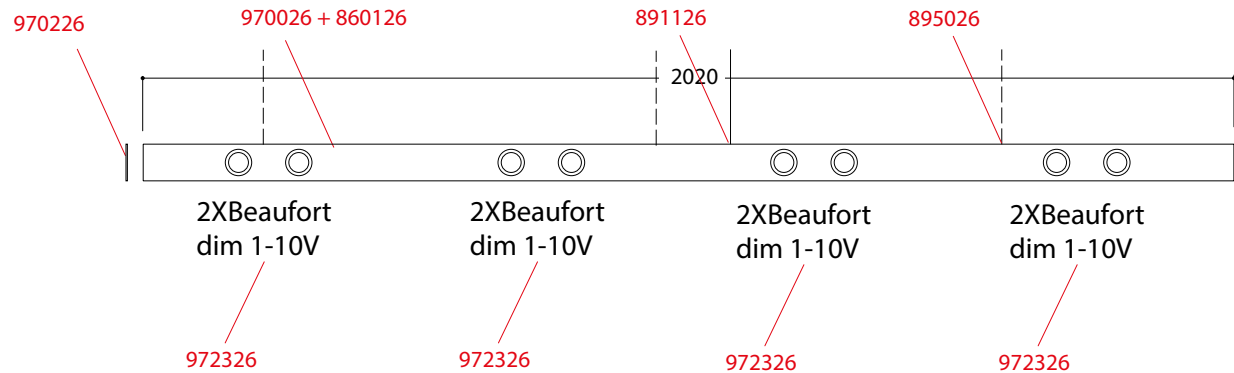
REFERENCE	DESCRIPTION	PCS / M
970026	PROFILE TEXT BLACK	2,02
860126	COVER TEXT BLACK	2,02
970226	ENDCAP TEXT BLACK	2
972326	MODULE 2XBEAUFORT DIM 1-10V	4
895026	SUSPENSION SET	3
891126	BASE + CABLE 5P	1

SECTION VIEW



DRAWING

TOP VIEW



track

track



BERRIER 536



BERRIER PENDANT 535



MINI SCOOP 542



NELSON TRACK 545



OLIJF 532



PARIS 530



SIGMA 524



SPINA ELBOW 538



TELESCOOP TRACK 544



WINSTON 529



WODAN BEAUFORT² 528

SURFACE TRACK 3F

	1 m	2 m	3 m
WHITE	TR0147	TR0247	TR0347
BLACK	TR0126	TR0226	TR0326

ENDCAP

WHITE	TR0547
BLACK	TR0526

LIVE END

	EARTH LEFT	EARTH RIGHT
WHITE	TR0647	TR0747
BLACK	TR0626	TR0726

STRAIGHT COUPLER

WHITE	TR0847
BLACK	TR0826

MECHANICAL COUPLER

for suspension by steel wire in combination with straight coupler

WHITE	TR1747
BLACK	TR1726

I COUPLER

WHITE	TR0947
BLACK	TR0926

L COUPLER - EARTH INSIDE

WHITE	TR1047
BLACK	TR1026

L COUPLER - EARTH OUTSIDE

WHITE	TR1147
BLACK	TR1126

PENDANT CLIP + STEEL WIRE

1 suspension / 2m track min. 2 suspensions

	1,5 m	3 m	6,2 m
WHITE	TR1304	TR1305	TR1306
BLACK	TR1301	TR1302	TR1303

BASE + CABLE 5P

	1,5 m	3 m	6,2 m
TEXT. WHITE	TR1447	TR1547	TR1647
TEXT. BLACK	TR1426	TR1526	TR1626

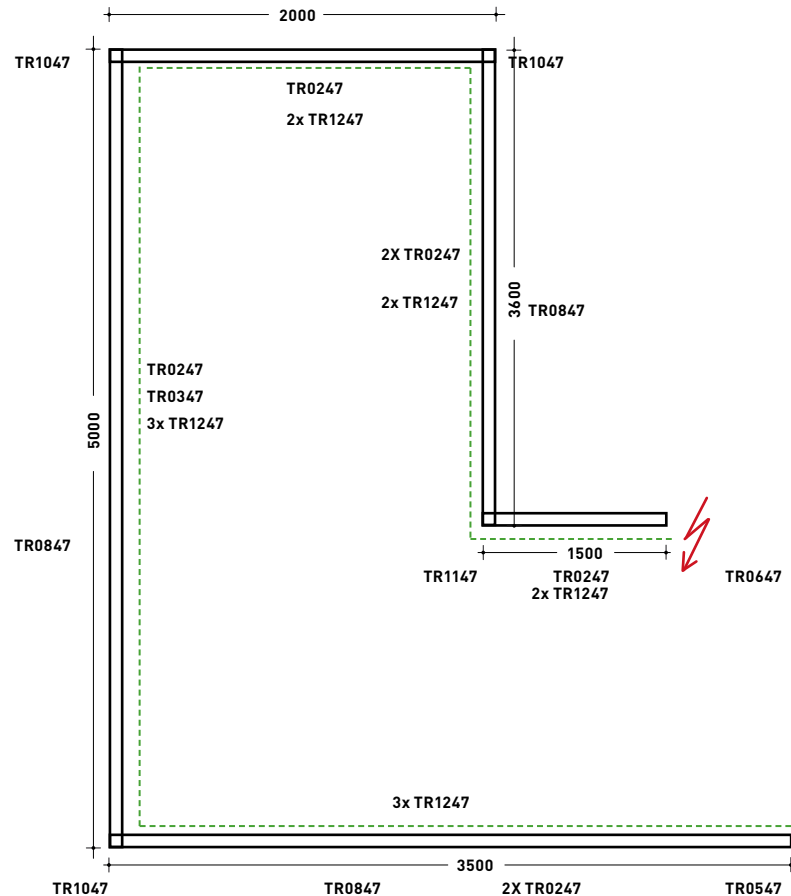
CEILING FIXATION CLIP

1 clip / 2m track min. 2 clips

WHITE	TR1247
BLACK	TR1226

ALTERNATIVE FIXATION

track



HOW TO COMPOSE CEILING FIXED TRACK IN WHITE

SURFACE TRACK 3F

TR0247 7pcs.
TR0347 1pc.

ENDCAP

TR0547 1pc.

LIVE END - EARTH CONTACT LEFT

TR0647 1pc.

L COUPLER - EARTH OUTSIDE

TR1147 1pc.

L COUPLER - EARTH INSIDE

TR1047 3pcs.

STRAIGHT COUPLER

TR0847 3pcs.

CEILING FIXATION CLIP

TR1247 12pcs.

----- EARTH

SIGMA NXT

track



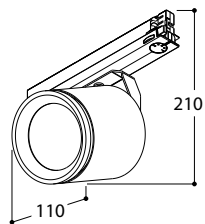
☉ SIGMA NXT 17°



☉ SIGMA NXT 24°

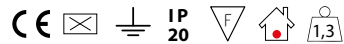


☉ SIGMA NXT 40°



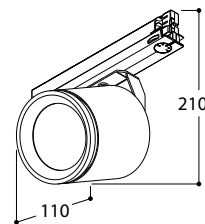
PREVALED 21W
230V - AC
dimmable NOT
3000 Lumen
beam 17°
↻ 355° ↕ 60°
CRI 80

A+



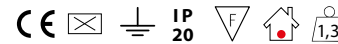
	3000K	4000K
TEXT. WHITE	482567	482577
TEXT. BLACK	482546	482556

Zhaga



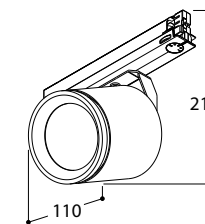
PREVALED 21W
230V - AC
dimmable NOT
3000 Lumen
beam 24°
↻ 355° ↕ 60°
CRI 80

A+



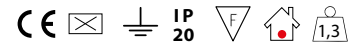
	3000K	4000K
TEXT. WHITE	482667	482677
TEXT. BLACK	482646	482656

Zhaga



PREVALED 21W
230V - AC
dimmable NOT
3000 Lumen
beam 40°
↻ 355° ↕ 60°
CRI 80

A+



	3000K	4000K
TEXT. WHITE	482867	482877
TEXT. BLACK	482846	482856

Zhaga





BMW 5 Series
Berline

€ 374.33

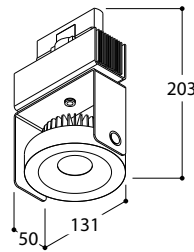


WODAN BEAUFORT²

track

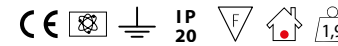


WODAN 1 BEAUFORT²



CITIZEN 12W
230V - AC
1500 lumen
↔ 359° ↻ 180

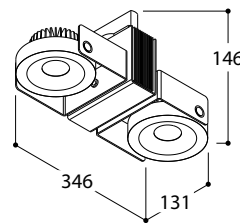
A++



	2700K		3000K	
	35°	70°	35°	70°
TEXT. WHITE	422187	422167	422177	422157
TEXT. BLACK	422185	422166	422176	422156
WHITE + BLACK	422182	422164	422174	422154

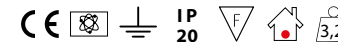


WODAN 2 BEAUFORT²



CITIZEN (x2) 12W
230V - AC
2 x 1500 lumen
↔ 359° ↻ 180

A++



	2700K		3000K	
	35°	70°	35°	70°
TEXT. WHITE	422287	422267	422277	422257
TEXT. BLACK	422285	422266	422276	422256
WHITE + BLACK	422282	422264	422274	422254

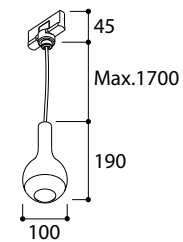




WINSTON



WINSTON CI



LUXEON M LED 3,82W
 230V - AC
 mains dimmable
 400 Lumen
 beam 60°



	2700K	3000K
TEXT. WHITE + mainscord white	486334	486324
TEXT. BLACK + mainscord black	486302	486312
BRUSHED ALU + mainscord red	486319	486309
CHROME + mainscord black	486320	486310

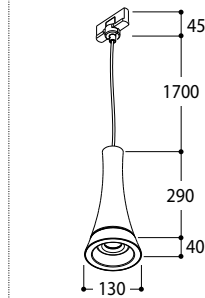


PARIS

design by Peter Vanooteghem

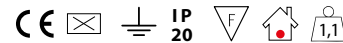


PARIS LED



PREVALED 12,7W
230V - AC
1100 lumen
beam 38°
dimnable L, C
CRI 90

A+



2700K

CHROME + MAINSCORD TRANSPARENT	496521
TEXT. BLACK - MAINSCORD BLACK	496526
TEXT. BLACK - MAINSCORD RED	496536
TEXT. WHITE - MAINSCORD WHITE	496537
TEXT. WHITE - MAINSCORD RED	496547
TEXT. WHITE + CHROME - MAINSCORD TRANSPARENT	496591
BLACK + GOLD - MAINSCORD BLACK	496596
TEXT. BLACK BODY - CU ₂₉ CONE - BLACK FOCUS - MAINSCORD BLACK	496556
CU ₂₉ - TEXT BLACK FOCUS - MAINSCORD BLACK	496557



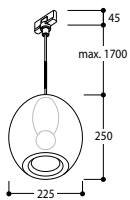


OLIJF

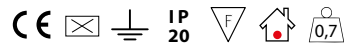
track



OLIJF E27



A60 - max. 40W
E27
230V - AC
dimmable: see bulb



CLEAR GLASS + MAINS BLACK	480300
GREY GLASS + MAINS BLACK	480304
GREEN GLASS + MAINS BLACK	480307
GREY GLASS + 24K GOLD PIT	480313



gh GROEP HUYZENTRUYT BOUWT

W.GEWELVEN.BE * VAN THUYNE

AN THUYNE * VAN THUYNE

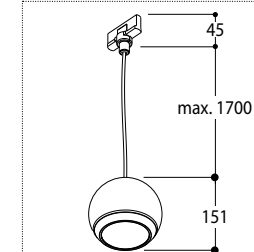




BERRIER PENDANT



BERRIER PENDANT



PREVALED 12,7W
230V - AC
1100 lumen
beam 60°
dimmable L, C
CRI 90

A+



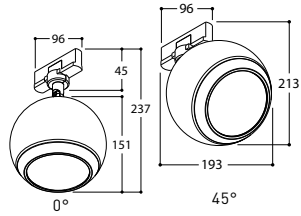
2700K

TEXT. WHITE + mainscord white	494501
TEXT. BLACK + mainscord red	494547
TEXT. BLACK + mainscord black	494516
TEXT. BLACK + mainscord red	494526
TEXT. BLACK + CHROME+ mainscord black	494519
TEXT. BLACK+GOLD + mainscord black	494596
TEXT. RED + mainscord red	494534
TEXT. WHITE + CHROME + mainscord white	494520
CU ₂₃ + mainscord black	494550
TEXT. BLACK + CU ₂₃ + mainscord black	494556
CU ₂₃ + TEXT. BLACK + mainscord black	494557
TEXT. WHITE (HOUSING) + TEXT. BLACK (RING) + pied de poule	494594
TEXT. WHITE (RING) + TEXT. BLACK (HOUSING) + pied de poule	494595
GOLD 24K + mainscord black	494513

BERRIER

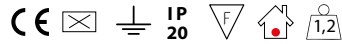
track

 BERRIER



PREVALED 12,7W
230V - AC
1100 lumen
beam 60°
dimmable L, C
CRI 90
↔ 359° ↕ 45°

A+



	2700K
TEXT. WHITE	494447
TEXT. BLACK	494426
TEXT. BLACK + CHROME	494419
TEXT. BLACK+GOLD	494496
TEXT. RED	494434
TEXT. WHITE + CHROME	494420
CU ₂₉	494450
TEXT. BLACK + CU ₂₉	494456
CU ₂₉ + TEXT. BLACK	494457
TEXT. WHITE (HOUSING) + TEXT. BLACK (RING)	494494
TEXT. WHITE (RING) + TEXT. BLACK (HOUSING)	494495
GOLD 24K	494413



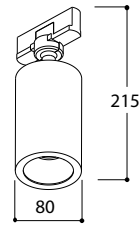


SPINA ELBOW

track

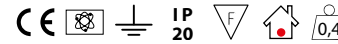


SPINA ELBOW HALOLED



LUXEON M LED 7,84W
230V AC
755 lumen
beam 36°
dimmable L,C

A+



	2700K	3000K
TEXT. WHITE	433347	433348
TEXT. BLACK	433326	433327
TEXT. WHITE + GOLD	433392	433393
BLACK + GOLD	433396	433397

GU10 versions: see website







bavet

BAVET
MADE IN PARIS

TRY OUT OUR
COMBOS

Special
Breakfast

Menu board with various items and prices

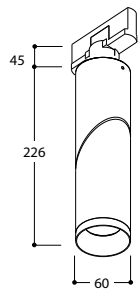


MINI SCOOP

track

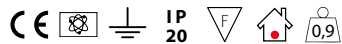


MINI SCOOP DEIMOS



LUXEON M 7,84W
230V AC
755 lumen
359° TILT 90°

A+



	2700K			3000K		
	9°	38°	60°	9°	38°	60°
TEXT. WHITE	279727	279747	279767	279737	279757	279777
TEXT. BLACK	279706	279726	279746	279716	279736	279756

GU10 versions: see website

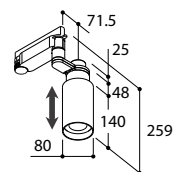


TELESCOOP design by Sylvain Willenz

track

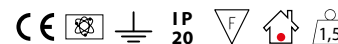


TELESCOOP TRACK



Luxeon M LED 7,84W
 230V - AC
 Adjustable beam 20° - 48°
 755 lumen
 Not dimmable
 Tilt 0-50°

A+



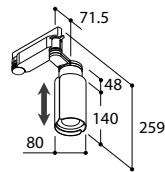
	2700K	3000K
TEXT. WHITE	491747	491757
TEXT. BLACK	491726	491736



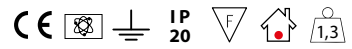
design by Sylvain Willenz **NELSON**



⊕ NELSON TRACK



Luxeon M LED 7,84W
 230V - AC
 Adjustable beam 20°- 48°
 755 lumen
 Not dimmable
 Tilt 0-50°



	2700K	3000K
TEXT. WHITE + BRASS	491357	491367
TEXT. BLACK + BRASS	491356	491366
TEXT. BLACK + CU ₂	491350	491360



INTERIOR COLOUR SAMPLES



Textured white 9016



Textured black 9005



Textured red 3020



Textured yellow 1021



Brushed aluminium

EXTERIOR COLOUR SAMPLES



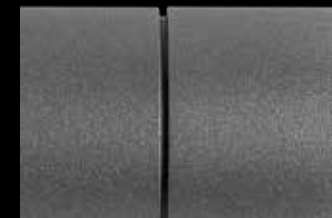
Textured black 9005



Silver sand 1015*



Textured grey 9007*



Silver anthracite 9008*

(*) indicative RAL reference

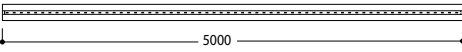
technical info

	page
Ledstrips on reel	548
Converters constant voltage	550
Converters constant current	552
Quality of light	564
1) Color temperature	564
2) Color rendering index	565
3) Color consistency	566
Classification of fixtures	567
1) Electrical safety	567
2) Dust and moisture protection (IP classification)	568
Overview indoor fixtures IP 54	569
3) Degree of flammability of the mounting surface	572
Application	573
Properties	574
Specifications	575
Overview ledsystems	576
Characteristics ledsystems	580
led comparison table	581
Zhaga	582
Specific ledsystem info	583
Beaufort	584
Beaufort²	585
Overview mounting possibilities for downlights	586
Overview cut out round downlights	587
Overview downlighters with limited installation height (<65mm)	588

Overview installation frames for plaster for trimless downlights	589
Overview surface kits small	592
Overview surface kits large	593
Overview M10 bases	594
Installation scenarios	596
1U recessed in plasterboard	596
Tommy in plasterboard	597
Tommy in plastered concrete/stalton ceiling	597
Tommy trimless in plasterboard	598
Mini Tommy trimless in plasterboard with limited installation height (<65mm)	599
Tommy in visible concrete ceiling (only for large Tommy 1/2/3)	600
Tommy trimless in visible concrete ceiling	601
Tommy in plastered concrete ceiling	602
Tommy trimless in plastered concrete ceiling (3mm)	603
Tommy in plastered stalton ceiling	604
Tommy trimless in plastered stalton ceiling	605
Intana in plasterboard (hollow ceilings)	606
Intana on plasterboard (solid ceilings)	607
Drebbel plasterkit in plasterboard (hollow ceilings)	608
Drebbel plasterkit on plasterboard (solid ceilings)	608
Drebbel fermacell in plasterboard	609
Wiring diagrams	610


LEDSTRIPS ON REEL

technical info

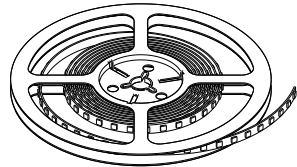


5000

24V DC



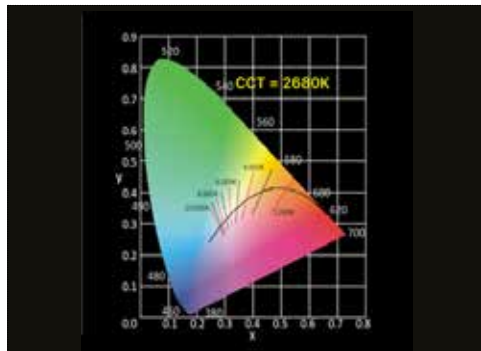
Color Temperature	2700K		3000K		4000K	
	MEDIUM POWER	HIGH POWER	MEDIUM POWER	HIGH POWER	MEDIUM POWER	HIGH POWER
Reference/reel*	958010	958020	958030	958040	958050	958060
Power	9,6W/ m	14,4W/ m	9,6W/ m	14,4W/ m	9,6W/ m	14,4W/ m
Lumen output	672 lm/ m	1010 lm/ m	710 lm/ m	1060 lm/ m	740 lm/ m	1100 lm/ m
CRI	92	92	92	92	92	92
Max. length 1 powerfeed	10 metres	5 metres	10 metres	5 metres	10 metres	5 metres
Min. cutting length	50 mm	33 mm	50 mm	33 mm	50 mm	33 mm



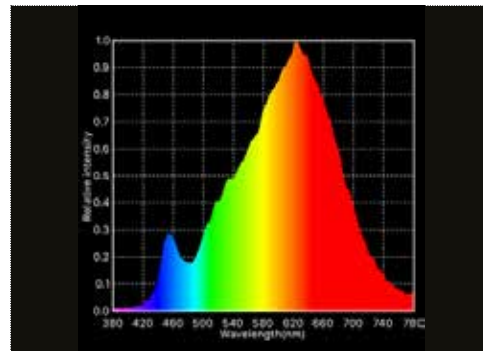
LED strips to be used in combination with aluminium profile

* 1 reel = 5 metres
[CONVERTER p.550](#)

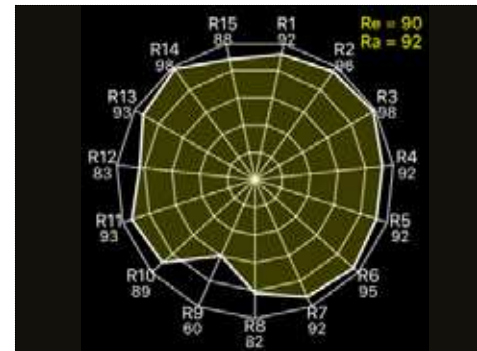
CIE CHART 2700K - 14,4W



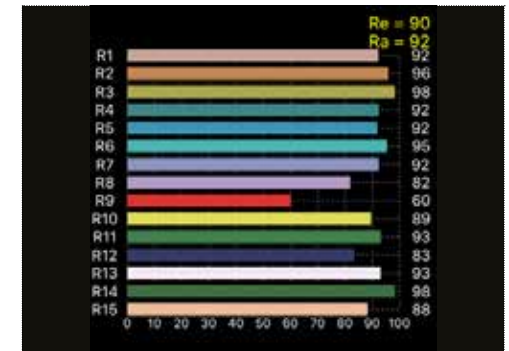
SPECTRUM 2700K - 14,4W



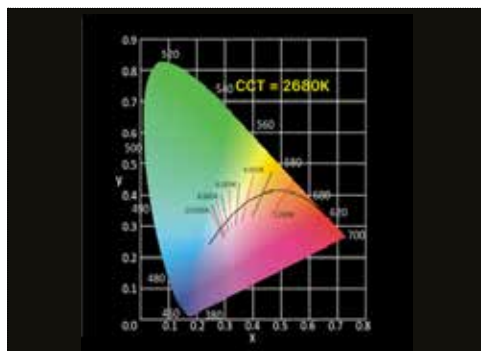
RADAR 2700K - 14,4W



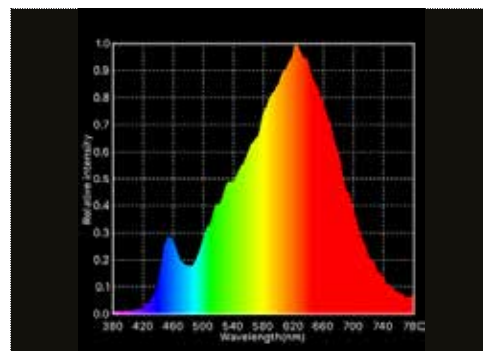
HISTOGRAM 2700K - 14,4W



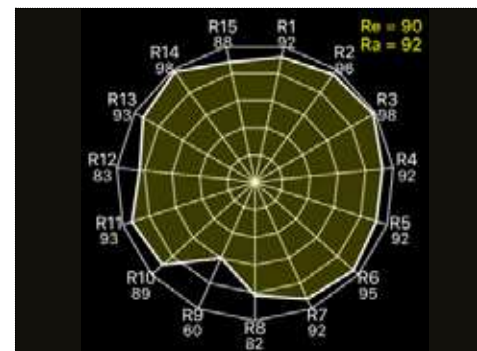
CIE CHART 3000K - 14,4W



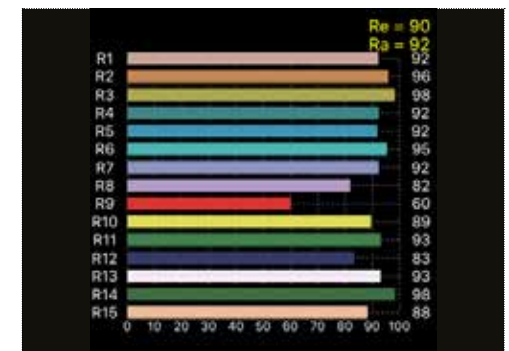
SPECTRUM 3000K - 14,4W



RADAR 3000K - 14,4W



HISTOGRAM 3000K - 14,4W



technical info



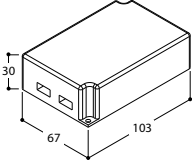
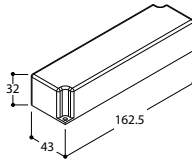
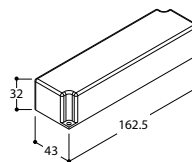
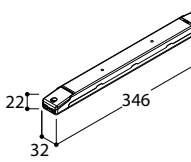
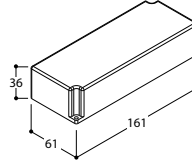
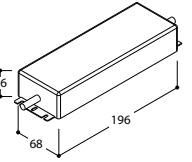
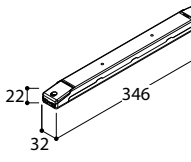
24V CONSTANT VOLTAGE CONVERTERS

technical info

TYPE	PHOBOS	CRÉE XPE	LEDLINE/ LEDSTRIPS	LEDLINE HO/ LEDSTRIPS HO
FIXTURE	MINI UB0/OB0	LISDODDE	1U, 2U, 2UR, LUDO, TAGLIO, OSCAR	1U, 2U, 2UR
VOLTAGE (V)	24	24	24	24
P (W)	3,36	1,5	9,6W/M	14,4W/M

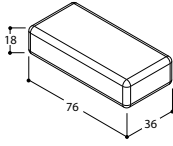
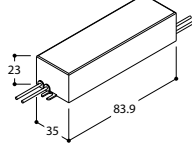
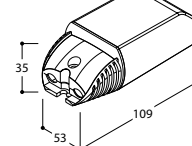
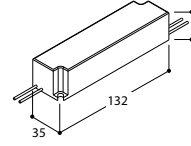
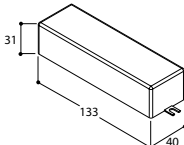
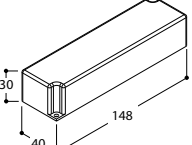
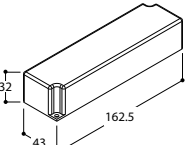
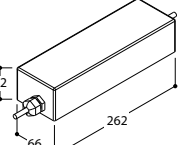
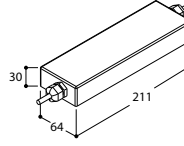
Artnr	Converter Type	Strain Relief	Application	Dimmable	IP	Class	Input voltage (V)	Luminaire Quantity			
								max #m ⁽¹⁾		max #m ⁽²⁾	
40025	CONVERTER LED 10VA	NO	INDOOR	NOT	20	□	198-254	1-2	1-6	1	0,65
40065	CONVERTER LED 12VA	NO	IN&OUTDOOR	NOT	67	□	120-240	1-3	1-7	1,25	0,8
40057	CONVERTER LED 20VA	YES	INDOOR	NOT	20	□	195-254	1-5	1-12	2,05	1,35
40063	CONVERTER LED 20VA	NO	IN&OUTDOOR	NOT	67	□	90-264	1-5	1-12	2,05	1,35
40080	CONVERTER LED 20VA DIMMABLE 1-10V SQ	YES	INDOOR	1-10V	20	□	100-264	1-5	1-12	2,05	1,35
40027	CONVERTER LED 25VA	NO	IN&OUTDOOR	NOT	67	□	85-277	1-6	1-15	2,6	1,7
40070	CONVERTER LED 35VA	NO	IN&OUTDOOR	NOT	67	□	90-264	1-9	1-21	3,6	2,4
40081	CONVERTER LED 40VA DIMMABLE 1-10V	NO	IN&OUTDOOR	1-10V	67	□	90-305	1-10	1-24	4,15	2,75
40087	CONVERTER LED 50VA DALI / TOUCH DIMM	YES	INDOOR	DALI / TOUCH DIMM	20	□	198-264	1-13	1-30	5,20	3,45
40071	CONVERTER LED 60VA	NO	IN&OUTDOOR	NOT	67	□	90-264	1-16	1-36	6,25	4,15
40082	CONVERTER LED 60VA DIMMABLE 1-10V	NO	IN&OUTDOOR	1-10V	67	□	90-305	1-16	1-36	6,25	4,15
40088	CONVERTER LED 50VA DALI / TOUCH DIMM	YES	INDOOR	DALI / TOUCH DIMM	20	□	198-264	1-13	1-30	5,20	3,45
40083	CONVERTER LED 90VA DIMMABLE 1-10V	NO	IN&OUTDOOR	1-10V	67	□	90-305	1-24	1-54	9,35	6,25
40072	CONVERTER LED 100VA	NO	IN&OUTDOOR	NOT	67	□	220-240	1-26	1-60	10,4	6,9
40084	CONVERTER LED 120VA DIMMABLE 1-10V	NO	IN&OUTDOOR	1-10V	67	⏏	90-305	1-32	1-72	12,5	8,3
40073	CONVERTER LED 150VA	NO	IN&OUTDOOR	NOT	67	□	220-240	1-40	1-90	15,6	10,4

24V CONSTANT VOLTAGE CONVERTERS

1-10 V DIMM			DALI / TOUCH DIMM
 <p>40080 CONVERTER 230V LED 24V 20VA IP20 DIMMABLE 1-10V SQ</p>	 <p>40081 CONVERTER 230V LED 24V 40VA IP67 DIMMABLE 1-10V</p>	 <p>40082 CONVERTER 230V LED 24V 60VA IP20 DIMMABLE 1-10V</p>	 <p>40087 CONVERTER 230V LED 24V 50VA IP20 DALI / TOUCH DIMM</p>
 <p>40083 CONVERTER 230V LED 24V 90VA IP67 DIMMABLE 1-10V</p>	 <p>40084 CONVERTER 230V LED 24V 120VA IP67 DIMMABLE 1-10V</p>		 <p>40088 CONVERTER 230V LED 24V 50VA IP20 DALI / TOUCH DIMM</p>

[1] max. 10 m continue, split powerfeed for lengths > 10 m

[2] max. 5 m continue, split powerfeed for lengths > 5 m

NOT DIMMABLE			
 <p>40025 CONVERTER 230V LED 24V 10VA IP20</p>	 <p>40065 CONVERTER 230V LED 24V 12VA IP67</p>	 <p>40057 CONVERTER 230V LED 24V 20VA IP20</p>	 <p>40063 CONVERTER 230V LED 24V 20VA IP67</p>
 <p>40027 CONVERTER 230V LED 24V 25VA IP67</p>	 <p>40070 CONVERTER 230V LED 24V 35VA IP67</p>	 <p>40071 CONVERTER 230V LED 24V 60VA IP67</p>	 <p>40072 CONVERTER 230V LED 24V 100VA IP67</p>
 <p>40073 CONVERTER 230V LED 24V 150VA IP67</p>			

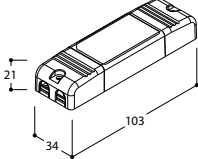
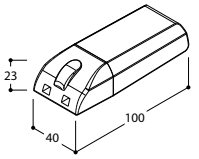
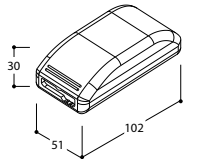
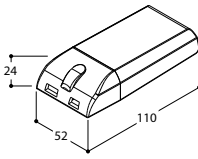
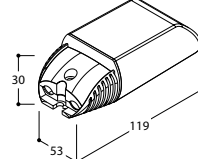
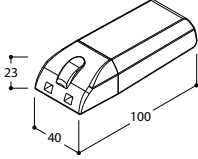
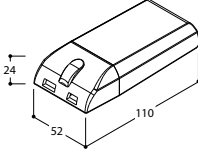
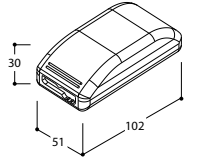
180mA CONSTANT CURRENT CONVERTERS

technical info

BEAUFORT	TYPE
MINI TOMMY, MINI ECLIPS, INCAS R, QUAD, HELVA, INTANA	FIXTURE
180	MAX. CURRENT
6,22	P (W)
34,6	TYPICAL FORWARD VOLTAGE V_f

Artnr	Converter Type	Strain Relief	Application	Dimmable	IP	Class	Input voltage (V)	Output range (V)	Luminaire Quantity
930547	POWERLED CONVERTOR 7,2W SMALL	YES	INDOOR	NOT	20	□	110-240	20-43	1
930544	POWERLED CONVERTOR 7,2W MAINS DIMM C (*)	YES	INDOOR	MAINS DIMM C	20	□	230-240	20-40	1
930565	POWERLED CONVERTOR 10W MAINS DIMM L,C (10%)	YES	INDOOR	MAINS DIMM L,C	20	□	220-240	28-56	1
930565	POWERLED CONVERTOR 10W DIMMABLE 1-10V	YES	INDOOR	1-10V	20	□	220-240	28-56	1
930588	POWERLED CONVERTOR 15W DALI/TOUCH DIMM	YES	INDOOR	DALI / TOUCH DIMM	20	□	198-264	20-54	1
930545	POWERLED CONVERTOR 2.5-15W	YES	INDOOR	NOT	20	□	90-264	0-41,5	1
930546	POWERLED CONVERTOR 1-20W DIMMABLE 1-10V	YES	INDOOR	1-10V	20	□	110-240	3-43	1
930549	POWERLED CONVERTOR 2X 8W DIMMABLE 1-10V	YES	INDOOR	1-10V	20	□	110-240	3-45	1-2

(*) 10% - 30%: SEE LIST COMPATIBLE DIMMERS

NOT DIMMABLE	MAINS DIMM C	MAINS DIMm L/C + 1-10V DIMM	1-10V DIMM	DALI / TOUCH DIMM
 <p>930545 POWERLED CONVERTOR REMOTE 2.5-15W 180mA</p>	 <p>930544 POWERLED CONVERTOR REMOTE 7,2W 180mA MAINS DIMM C</p>	 <p>930565 POWERLED CONVERTOR REMOTE 10W 180mA MAINS DIMM L,C (10%)</p>	 <p>930546 POWERLED CONVERTOR REMOTE 1-20W 180mA DIMMABLE 1-10V</p>	 <p>930588 POWERLED CONVERTOR 15W 180mA DALI/TOUCH DIMM</p>
 <p>930547 POWERLED CONVERTOR REMOTE 7,2W 180mA SMALL</p>			 <p>930549 POWERLED CONVERTOR 2X 180mA 1-10V DIMM</p>	
			 <p>930565 POWERLED CONVERTOR REMOTE 10W 180mA 1-10V DIMM</p>	

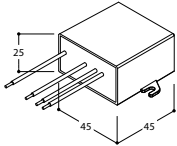
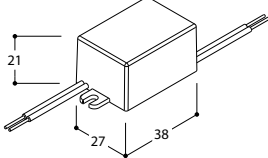
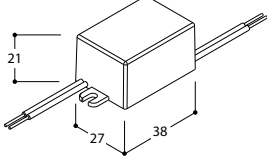
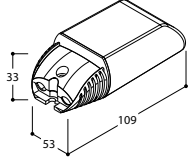
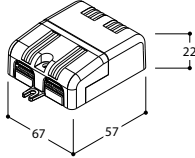
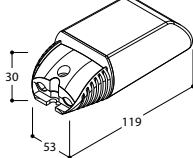
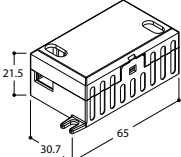
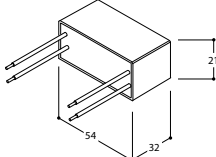
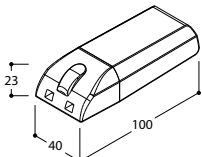
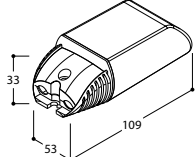
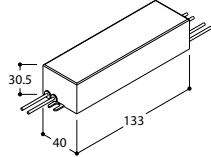
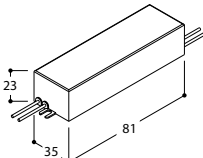
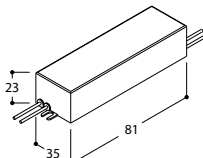
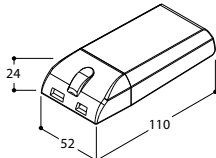
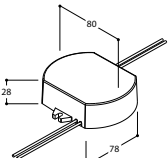
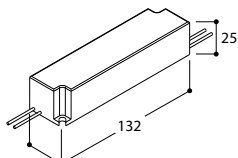
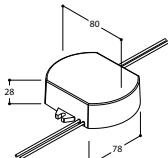
350mA CONSTANT CURRENT CONVERTERS

TYPE	CREE XPE	XICATO XTM	LUXEON M	BRIDGELUX COB	CITIZEN 13,3W	ANNULAR LED ARRAY	ANNULAR LED ARRAY
FIXTURE	CHROMOS	MINI UBO/OBO	THINK SMALL	CEDRUS QUANTUM	HELAX HALO-SPHERE	ORBITAL	ORBITAL HALO-SPHERE
MAX. CURRENT	350	350	350	350	350	350	350
P (W)	1,2	6,3	3,82	6,2	13,3	11,4	11,4
TYPICAL FORWARD VOLTAGE V _F	3,2	18,1	10,95	17,7	37,5	32,5	32,5

Artnr	Converter Type	Strain Relief	Application	Dimmable	IP	Class	Input voltage (V)	Output range (V)	Luminaire Quantity						
930579	POWERLED CONVERTER 4W NON DIMM	NO	IN & OUTDOOR	NOT	65	□	100-240	2 - 12	1-3	0	1	0	0	0	0
930512	POWERLED CONVERTER 4W MAINS DIMM L/C	NO	IN & OUTDOOR	MAINS DIMM L/C	65	□	220-240	6 - 12	2-3	0	1	0	0	0	0
930540	POWERLED CONVERTER 6W	NO	IN & OUTDOOR	NOT	67	□	120-240	2 - 20	1-5	1	1	1	0	0	0
930591	POWERLED CONVERTER 6W DIMMABLE 1-10V	YES	INDOOR	1-10V DIMM	20	□	198-264	2 - 18	1-5	0	1	1	0	0	0
930573	POWERLED CONVERTER 8W	NO	IN & OUTDOOR	NOT	54	□	90-264	0-25	1-6	1	1-2	1	0	0	0
930541	POWERLED CONVERTER 9W	NO	INDOOR	NOT	20	□	220-240	3-25	1-6	1	1-2	1	0	0	0
930000	POWERLED CONVERTER 12W	NO	IN & OUTDOOR	NOT	66	□	207-264	2,4 - 33	1-8	1	1-3	1	0	0	0
930001	POWERLED CONVERTER 12W SMALL	NO	IN & OUTDOOR	NOT	67	□	120-240	2 - 35	1-8	1	1-3	1	0	1	0
930561	POWERLED CONVERTER 12W SMALL MAINS DIMM C ⁽¹⁾	YES	INDOOR	MAINS DIMM C 10-30%	20	□	230-240	3-32	1-8	1	1-2	1	0	0	0
930562	POWERLED CONVERTER 13,5W MAINS DIMM L/C ⁽²⁾	YES	INDOOR	MAINS DIMM L/C 10%	20	□	220-240	18 - 38	6-10	1-2	2-3	2	0	1	1
930581	POWERLED CONVERTER 15W DALI / TOUCH DIMM ⁽²⁾	YES	INDOOR	DALI / TOUCH DIMM	20	□	220-240	9 - 51	3-16	1-2	1-4	1-2	1	1	1
930706	POWERLED CONVERTER 18W 230V SMALL	NO	IN & OUTDOOR	NOT	67	□	220-240	2 - 52	4-12	1-2	1-4	1-2	0	1	0
930510	POWERLED CONVERTER 18W 230V DIMMABLE 1-10V	NO	IN & OUTDOOR	1-10V DIMM	67	□	220-240	12 - 48	4-12	1-2	2-4	1-2	0	1	0
930511	POWERLED CONVERTER 18W MAINS DIMM L/C ⁽²⁾	YES	INDOOR	MAINS DIMM L/C 10%	20	□	198-264	27-54	9-16	2	3-4	2-3	1	1	1
930560	POWERLED CONVERTER 1-20W DIMMABLE 1-10V	YES	INDOOR	1-10V DIMM	20	□	110-240	3 - 43	1-12	1-2	1-3	1-2	0	1	0
930537	POWERLED CONVERTER 26W	NO	IN & OUTDOOR	NOT	66	□	100-240	38-75	12-20	3-4	4-6	3-4	0	0	0
930536	POWERLED CONVERTER 26W DIMMABLE 1-10V	NO	IN & OUTDOOR	1-10V DIMM	66	□	100-240	38-75	12-20	3-4	4-6	3-4	0	0	0

[1] 10% - 30%: SEE LIST COMPATIBLE DIMMERS

[2] SUITABLE FOR WARM DIMMING (CCR) FOR HALOSPHERE LUMINAIRES

NOT DIMMABLE		MAINS DIMM C	MAINS DIMM L/C	1-10V DIMM	DALI / TOUCH DIMM
 <p>930540 POWERLED CONVERTER 6W 350mA 230V IP67</p>	 <p>930579 POWERLED CONVERTER 4W 350mA IP65 NON DIMM</p>	 <p>930512 POWERLED CONVERTER 4W 350mA MAINS DIMM L/C</p>	 <p>930562 POWERLED CONVERTER 13,5W 350mA 230V IP20 MAINS DIMM L/C 10%</p>	 <p>930591 POWERLED CONVERTER 6W 350mA 230V IP20 DIMMABLE 1-10V</p>	 <p>930581 POWERLED CONVERTER 350MA 15W DALI / TOUCH DIMM</p>
 <p>930541 POWERLED CONVERTER 9W 350mA 230V IP20</p>	 <p>930573 POWERLED CONVERTER 8W 350mA 230V IP54</p>	 <p>930561 POWERLED CONVERTER 12W 350/700mA SMALL MAINS DIMM C [1]</p>	 <p>930511 POWERLED CONVERTER 18W 350mA MAINS DIMM L/C</p>	 <p>930510 POWERLED CONVERTER 18W 350mA 230V IP67 DIMMABLE 1-10V</p>	
 <p>930001 POWERLED CONVERTER 12W 350mA 230V IP67 SMALL</p>	 <p>930706 POWERLED CONVERTER 18W 350mA 230V IP67 SMALL</p>			 <p>930560 POWERLED CONVERTER 1-20W 350mA DIMMABLE 1-10V</p>	
 <p>930537 POWERLED CONVERTER 26W 350mA + WIRES</p>	 <p>930000 POWERLED CONVERTER 12W 350mA 230V IP66</p>			 <p>930536 POWERLED CONVERTER 26W 350mA 1-10V</p>	

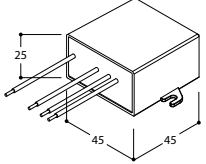
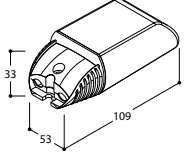
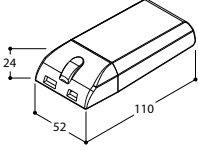
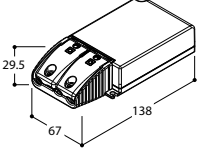
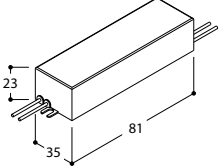
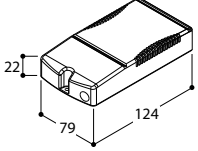
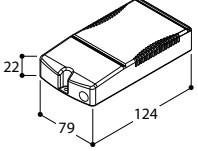
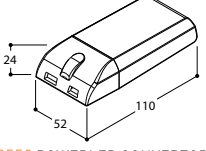
[1] 10% - 30%: SEE LIST COMPATIBLE DIMMERS
[2] SUITABLE FOR WARM DIMMING (CCR) FOR HALOSPHERE LUMINAIRES

500mA CONSTANT CURRENT CONVERTERS

technical info

TYPE	BEAUFORT ²
FIXTURE	TOMMY, ECLIPS, INCAS R
MAX. CURRENT	500
P (W)	18,1
TYPICAL FORWARD VOLTAGE V _F	36,2

Artnr	Converter Type	Strain Relief	Application	Dimmable	IP	Class	Input voltage (V)	Output range (V)	
930543	POWERLED CONVERTER 6W	NO	IN & OUTDOOR	NOT	67	□	120-240	2 - 14	0
930550	POWERLED CONVERTER 12W	NO	IN & OUTDOOR	NOT	67	□	120-240	2 - 26	0
930559	POWERLED CONVERTOR 16W DIMMABLE L/C (10%)	YES	INDOOR	MAINS L/C	20	□	198-264	18 - 36	0
930558	POWERLED CONVERTOR 20W	YES	INDOOR	NOT	20	□	115-240	3 - 40	1
930553	POWERLED CONVERTOR 1-20W DIMMABLE 1-10V	YES	INDOOR	1-10V DIMM	20	□	110-240	3 - 43	1
930585	POWERLED CONVERTOR 35W DALI / TOUCH DIMM	YES	INDOOR	DALI / TOUCH DIMM	20	□	198-264	30-54	1
930556	POWERLED CONVERTOR 2X 20W DIMMABLE 1-10V	YES	INDOOR	1-10V DIMM	20	□	110-240	1 - 100	1 - 2
930557	POWERLED CONVERTOR 2X 20W DALI / TOUCH DIMM	YES	INDOOR	DALI DIMM	20	□	110-240	1 - 100	1 - 2

NOT DIMMABLE	MAINS DIMM L/C	1-10V DIMM	DALI / TOUCH DIMM
 <p>930543 POWERLED CONVERTER 6W 500mA</p>	 <p>930559 POWERLED CONVERTOR 16W 500mA DIMMABLE L/C IP20</p>	 <p>930553 POWERLED CONVERTOR 1-20W 500mA DIMMABLE 1-10V</p>	 <p>930585 POWERLED CONVERTOR 35W 500mA DALI / TOUCH DIMM</p>
 <p>930550 POWERLED CONVERTER 12W 500mA</p>		 <p>930556 POWERLED CONVERTOR 2X (1-20W) 500mA DIMMABLE 1-10V</p>	 <p>930557 POWERLED CONVERTOR 2X (1-20W) 500mA DALI / TOUCH DIMM</p>
 <p>930558 POWERLED CONVERTOR 20W 500 mA IP20</p>			

600mA CONSTANT CURRENT CONVERTERS

technical info

TORNADO (PREVALED)	TYPE
TOMMY, ECLIPS	FIXTURE
600	MAX. CURRENT
27	P (W)
45	TYPICAL FORWARD VOLTAGE V_F

Artnr	Converter Type	Strain Relief	Application	Dimmable	IP	Class	Input voltage (V)	Output range (V)	Luminaires Quantity
930650	POWERLED CONVERTER + WIRING 35W 1x3000lm	YES	INDOOR	NOT	20	<input type="checkbox"/>	198-264	27 - 54	1
930651	POWERLED CONVERTER + WIRING 35W DALI / TOUCH DIMM 1x3000lm	YES	INDOOR	DALI / TOUCH DIMM	20	<input type="checkbox"/>	198-264	15 - 54	1

NOT DIMMABLE	MAINS DIMM L/C	1-10V DIMM	DALI / TOUCH DIMM
 <p>930650 POWERLED CONVERTER + WIRING [35W] 1x3000lm 600mA</p>			 <p>930651 POWERLED CONVERTER + WIRING [35W] DALI / TOUCH DIMM 1x3000lm 600mA</p>

700mA CONSTANT CURRENT CONVERTERS

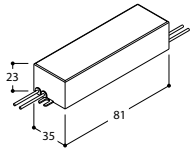
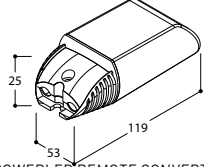
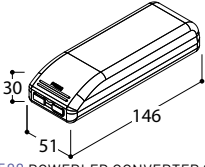
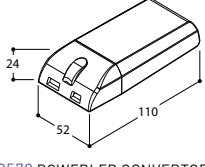
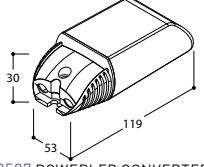
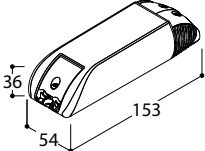
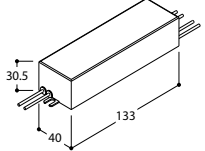
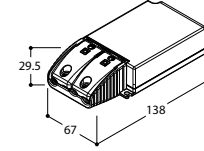
technical info

	LUXEON M	CRÉE XPG
TYPE	HALOLED: DREBBEL, ECLIPS, FUNNEL, HELAX, MINI RASPUTIN, MINI TOMMY, SIMPLON, SOLID, SPINA, DEIMOS	B4, ODILON, ODIL WC
FIXTURE		
MAX. CURRENT	700	700
P (W)	7,84	7,91
TYPICAL FORWARD VOLTAGE V_f	11,2	11,32

Artnr	Converter Type	Strain Relief	Application	Dimmable	IP	Class	Input voltage (V)	Output range (V)		
930592	POWERLED CONVERTER 25W MAINS DIMM L,C	YES	INDOOR	MAINS DIMM L,C	20	□	230-240	7 - 14	1	1
930705	POWERLED CONVERTER 12W SMALL	NO	IN&OUTDOOR	NOT	67	□	120-240	2 - 18	1	1
930578	POWERLED CONVERTOR 1-20W DIMMABLE 1-10V	YES	INDOOR	1-10V DIMM	20	□	180-240	6 - 28,6	1-2	1-2
930587	POWERLED CONVERTOR 15W DALI / TOUCH DIMM	YES	INDOOR	DALI / TOUCH DIMM	20	□	198-264	7,5 - 26	1-2	1-2
930589	POWERLED CONVERTER 25W MAINS DIMM L,C	YES	INDOOR	MAINS DIMM L,C	67	□	220-240	16 - 35	2-3	2-3
930590	POWERLED CONVERTER 35W MAINS DIMM L,C	YES	INDOOR	MAINS DIMM L,C	20	□	220-240	27 - 50	3-4	3-4
930582	POWERLED CONVERTER 35W DALI / TOUCH DIMM	YES	INDOOR	DALI / TOUCH DIMM	20	□	198-264	22 - 54	2-4	2-4
932100	POWERLED CONVERTER 36W DIMMABLE 1-10V	NO	IN&OUTDOOR	1-10V DIMM	67	□	220-240	12 - 48	2-4	2-4

[1] 10% - 30%: SEE LIST COMPATIBLE DIMMERS

700mA CONSTANT CURRENT CONVERTERS

NOT DIMMABLE	MAINS DIMM C	MAINS DIMM L,C	1-10V DIMM	DALI/TOUCH DIMM
 <p>930705 POWERLED CONVERTER 12W 700mA 230V SMALL</p>	 <p>930592 POWERLED REMOTE CONVERTER 10W 700mA 230V IP20</p>	 <p>930589 POWERLED CONVERTER 25W 700mA 230V IP67 MAINS DIMM L,C</p>	 <p>930578 POWERLED CONVERTOR 1-20W 700mA DIMMABLE 1-10V</p>	 <p>930587 POWERLED CONVERTER 15W 700mA 230V DALI / TOUCH DIMM IP20</p>
		 <p>930590 POWERLED CONVERTER 35W 700mA 230V IP20 MAINS DIMM L,C</p>	 <p>932100 POWERLED CONVERTER 36W 700mA 230V IP67 DIMMABLE 1-10V</p>	 <p>930582 POWERLED CONVERTER 35W 700mA 230V DALI / TOUCH DIMM IP20</p>

900mA CONSTANT CURRENT CONVERTERS

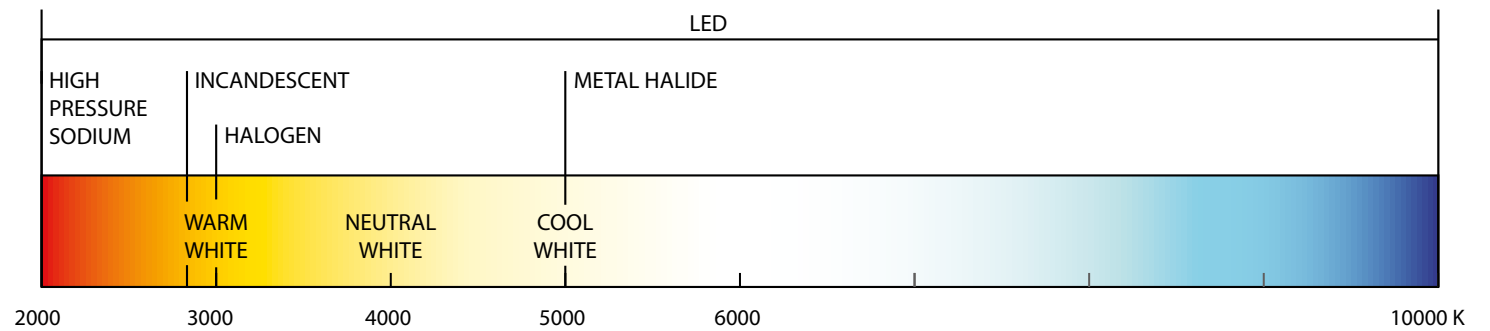
technical info

TORNADO	TYPE
TOMMY, ECLIPS	FIXTURE
900	MAX. CURRENT
38,4	P (W)
42,6	TYPICAL FORWARD VOLTAGE V_f

Artnr	Converter Type	Strain Relief	Application	Dimmable	IP	Class	Input voltage (V)	Output range (V)
930652	POWERLED CONVERTER + WIRING (50W) FAN 1x5000lm	YES	INDOOR	NOT	20	<input type="checkbox"/>	198-264	27 - 54
930653	POWERLED CONVERTER + WIRING (50W) FAN DALI / TOUCH DIMM 1x5000lm	YES	INDOOR	DALI / TOUCH DIMM	20	<input type="checkbox"/>	198-264	15 - 54

Luminaires Quantity	
1	
1	

NOT DIMMABLE	MAINS DIMM C	1-10V DIMM	DALI / TOUCH DIMM
 <p>930652 POWERLED CONVERTER + WIRING (50W) FAN 1X5000lm 900mA</p>			 <p>930653 POWERLED CONVERTER + WIRING (50W) FAN DALI / TOUCH DIMM 1x5000lm 900mA</p>



There are three main values to define the quality of the light from a fixture or lamp:

- 1) COLOR TEMPERATURE
- 2) COLOR RENDERING INDEX
- 3) COLOR CONSISTENCY

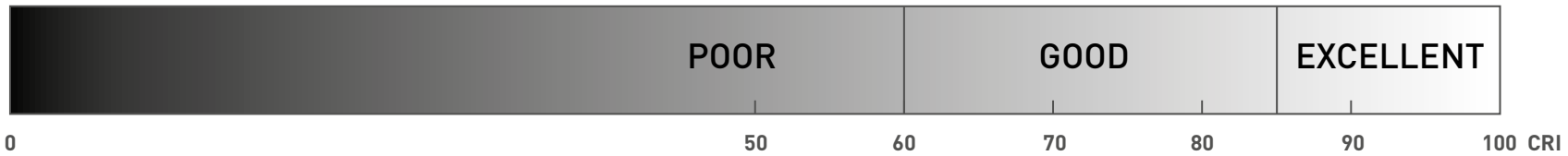
QUALITY OF LIGHT

1) COLOR TEMPERATURE

Color temperature is a description of the warmth or coolness of a light source. When a piece of metal is heated, so called 'black body', the color of light it emits will change. This color begins as red in appearance and graduates to orange, yellow, white, and then blue-white to deeper colors of blue. The temperature of this metal is a physical measure in degrees Kelvin or absolute temperature. While lamps other than incandescent do not exactly mimic the output of this piece of metal, we utilize the correlated color temperature (or Kelvins) to describe the appearance of that light source as it relates to the appearance of the piece of metal (specifically a black body radiator).

By convention, yellow-red colors (like the flames of a fire) are considered warm, and blue-green colors (like light from an overcast sky) are considered cool. Confusingly, higher Kelvin temperatures (3600–5500 K) are what we consider cool and lower color temperatures (2700–3000 K) are considered warm. Cool light is preferred for visual tasks because it produces higher contrast than warm light. Warm light is preferred for living spaces because it is more flattering to skin tones and clothing. A color temperature of 2700–3600 K is generally recommended for most indoor general and task lighting applications. Color Temperature is not an indicator of lamp heat.

CRI (Ra)	Importance	Typical application	possible LAMPTYPES					
90-100	accurate color matching	Galleries, medical examinations, colour mixing	Incandescent			n/a	n/a	LED
80-90	accurate color judgement	Home, hotels, offices, schools	n/a	Metal halide	Fluorescent		n/a	
60-80	moderate color rendering	Industry, offices, schools	n/a			High pressure sodium		
40-60	accurate color rendering is of little importance	Industry, sports halls	n/a	n/a				
20-40	accurate color rendering is of no importance	Traffic lighting	n/a	n/a	n/a		Low pressure sodium	



QUALITY OF LIGHT

2) COLOR RENDERING INDEX

CRI, or Color Rendering Index, is a measurement of a light source’s accuracy in rendering different colors when compared to a reference light source with the same correlated color temperature. It generally ranges from 0 for a source like a low-pressure sodium vapor lamp, which is monochromatic, to 100, for a source like an incandescent light bulb, which emits essentially blackbody radiation. The higher the CRI, the better the visual perception of colors. CRI is related to color temperature, in that the CRI measures for a pair of light sources can only be compared if they have the same color temperature.

The highest attainable CRI is 100. Lamps with CRIs above 70 are typically used in office and living environments. A standard “cool white” fluorescent lamp will have a CRI near 62. A standard “cool white” led has a CRI of 75 and “warm white” 80-85.

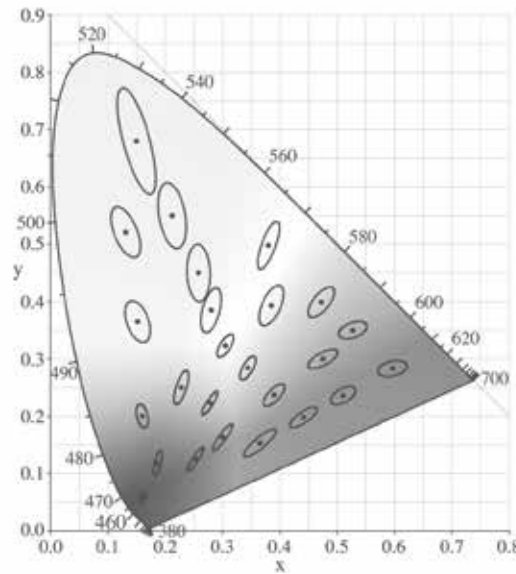
QUALITY OF LIGHT

3) COLOR CONSISTENCY

Color consistency refers to the average amount of variation in chromaticity among a batch of supposedly identical lamp samples. Generally speaking, the more complicated the physics and chemistry of the light source, the more difficult it is to manufacture with consistent color properties. This is why consistency is a problem for some light sources, particularly metal halide and LEDs. Different samples from the same batch may exhibit different chromaticities. To limit this variation, the lighting industry uses a color consistency system based on MacAdam ellipses. It was found by MacAdam that all homogeneous color matches made by an observer fell into an ellipse on the CIE 1931 chromaticity diagram (see beneath). The measurements were made at 25 points on the chromaticity diagram, and it was found that the size and orientation of the ellipses on the diagram varied widely depending on the test color. These 25 ellipses measured by MacAdam, for an observer are shown on the chromaticity diagram beneath.

So a homogeneous color impression results in an elliptical area within the CIE 1931 (x,y)-chromaticity diagram, the so called MacAdam ellipse with size 1 SDCM (or 1 STEP).

CIE 1931 (X,Y)-CHROMATICITY DIAGRAM



The size of a MacAdam ellipse is given by the so called Standard Deviation of Color Matching (SDCM). The bigger this size of the ellipse, the more color differences are visible:

	Size of MacAdam ellipse in SDCM / MacAdam step		
	1	2-4	>4
quality of color homogeneity within the ellipse	no color differences visible	small color differences visible	color differences visible
application	architectural white lighting scenes	general lighting	non critical applications

There are basically three ways of classifying fixtures as far as their design and construction are concerned:

1) ELECTRICAL SAFETY

According to the sort of protection offered against electric shock

2) DUST AND MOISTURE PROTECTION (IP CLASSIFICATION)

3) DEGREE OF FLAMMABILITY OF THE MOUNTING SURFACE

The following are summaries of the classifications detailed in IEC 598 - Part 1.

CLASSIFICATION OF FIXTURES

1) ELECTRICAL SAFETY

The electrical safety classification drawn up by the IEC embraces 3 main fixture classes: **Class I, II and III**. They can be summarised as follows:



CLASS I

Fixtures in this class, apart from being electrically insulated, are also provided with an earthing point (labelled) connecting all those exposed metal parts that could conceivably become live in the presence of a fault condition.

Where the luminaire is provided with a flexible power lead, this must include an earth wire. Where this is not the case, the degree of electrical protection afforded by the luminaire is the same as that afforded by one of Class 0.

Where a connection block is employed instead of a power lead, the metal housing must be connected to the earth terminal on the block. The provision made for earthing the luminaire must in all other respects satisfy the requirements for Class I.



CLASS II

Class II fixtures are so designed and constructed that exposed metal parts cannot become live. This can be achieved by means of either reinforced or double insulation, there being no provision for protective earthing.

In the case of a luminaire provided with an earth contact as an aid to lamp starting, but where this earth is not connected to exposed metal parts, the luminaire is nevertheless regarded as being of Class II.

A luminaire having double or reinforced insulation and provided with an earth connection or earth contact must be regarded as a Class I luminaire. However, where the earth wire passes through the luminaire as part of the provisions for through-wiring the installation, and is electrically insulated from the luminaire using Class II insulation, then the luminaire remains Class II.



CLASS III

The fixtures in this class are those in which protection against electric shock relies on supply at Safety Extra-Low Voltage (SELV), and in which voltages higher than those of SELV (50 V AC r.m.s.) are not generated. An AC operating voltage of 42 volt maximum is common. A Class III luminaire should not be provided with a means for protective earthing.

IP XX

CODE	Degree of protection (solids)
0	No protection
1	Protection against large foreign bodies (diameter <50 mm)
2	Protection against medium foreign bodies (diameter <12,5 mm)
3	Protection against small foreign bodies (diameter <2,5 mm)
4	Protection against small foreign bodies (diameter <1 mm)
5	Dust Protected
6	Dust-tight

CODE	Degree of protection (water)
0	No protection
1	Protection against vertical water drops
2	Protection against inclined water drops (15° from vertical)
3	Protection against splash water from all directions (60° from vertical)
4	Protection against splash water from all directions*
5	Protection against water jets from any angle*
6	Protection against temporary flooding*
7	Protection against water submersion to 1 m for 30 min.
8	Protection against high pressure water and submersion for an indefinite time

* Limited ingress permitted

CLASSIFICATION OF FIXTURES

2) DUST AND MOISTURE PROTECTION (IP CLASSIFICATION)

The IP (International Protection) system drawn up by the IEC classifies fixtures according to the degree of protection afforded against the ingress of foreign bodies, dust and moisture. The term foreign bodies includes such things as tools and fingers coming into contact with live parts.

The designation to indicate the degrees of protection consists of the characteristic letters IP followed by two numerals indicating conformity with the conditions stated in two tables. The first of these so-called 'characteristic numerals' is an indication of the protection against the ingress of foreign bodies and dust, while the second numeral indicates the degree of sealing against the penetration of water.



TAL 569

OVERVIEW INDOOR FIXTURES ≥ IP 54

technical info

≥ IP 54

HELAX 70 OUT HALOLED LEAF P. 92-403



HELAX 70 OUT HALOLED LEAF

LUXEON M 7,84W
700mA DC
755 lumen
dimnable PWM or CCR
beam 36°

A+

70 mm
Installation height 100 (85) mm

CE	IP 54	2700K	3000K
TEXT. WHITE	249847	249957	
TEXT. BLACK	249844	249954	

CONVERTER p.560

HELAX 70 OUT HALOLED TORSION P. 92-403



HELAX 70 OUT HALOLED TORSION

LUXEON M 7,84W
700mA DC
755 lumen
dimnable PWM or CCR
beam 36°

A+

70 mm
Installation height 85 mm

CE	IP 54	2700K	3000K
TEXT. WHITE	249817	249927	
TEXT. BLACK	249816	249924	

CONVERTER p.560

HELAX SML IP54 LEAF P. 102-404



HELAX SML IP54 LEAF

LUXEON M 3,82W
350mA DC
dimnable PWM or CCR
400 Lumen
beam 36°

A++

54 mm
Installation height 70 (55) mm

CE	IP 54	2700K	3000K
TEXT. WHITE	178547	178557	
TEXT. BLACK	178526	178536	

56 mm solid ceilings
55 mm hollow ceilings

CONVERTER p.554

HELAX SML IP54 TORSION P. 102-404



HELAX SML IP54 TORSION

LUXEON M 3,82W
350mA DC
dimnable PWM or CCR
400 Lumen
beam 36°

A++

55 mm
Installation height 65 mm

CE	IP 54	2700K	3000K
TEXT. WHITE	178647	178657	
TEXT. BLACK	178626	178636	

CONVERTER p.554

MICRO TOMMY IP54 P. 129



MICRO TOMMY IP54

LUXEON M 3,82W
350mA DC
dimnable PWM or CCR
400 Lumen
beam 36°

A++

52 x 52 mm
Installation height 60 mm

CE	IP 54	2700K	3000K
TEXT. WHITE	472147	472137	
TEXT. BLACK	472126	472116	
TEXT. WHITE & BLACK FOCUS	472194	472184	
BLACK & GOLD	472194	472184	
TEXT. WHITE & BLACK INSIDE	472195	472185	
TEXT. WHITE + GOLD	472192	472182	

MICRO FRAME FOR PLASTER 419199 140 x 85 x H60 mm
MICRO BOX FOR PLASTER FINISH 419197 155 x 85 x H90 mm

CONVERTER p.554

SPINA ON SPLASH IP54 P. 201



SPINA ON SPLASH IP54

LUXEON M LED 7,84W
230V- AC
mainly dimmable L.C
400 lumen

A+

80 mm
Installation height 100 (85) mm

CE	IP 54	2700K	3000K
TEXT. WHITE	433847	433848	
TEXT. BLACK	433826	433827	
TEXT. WHITE + GOLD	433892	433893	
BLACK + GOLD	433896	433897	

CONVERTER p.560

B4 OUT LEAF P. 354



B4 OUT LEAF

CREE XPG 8W
700mA DC
Dimmable PWM or CCR
832 Lumen
CRI 92

A++

80 mm
Installation height 75 (90) mm

CE	IP 54	2700K	3000K			
TEXT. WHITE	294347	294447	294547	294357	294457	294557
TEXT. BLACK	294326	294426	294526	294336	294436	294536

CONVERTER p.560

MINI HELAX OUT 400 LUMEN P. 402



MINI HELAX OUT 400 LUMEN

LUX M 3,82W
350mA DC
dimmable PWM or CCR
beam 36°

A++

40 mm
Installation height 60 mm

CE	IP 54	2700K	3000K
TEXT. BLACK	178946	178947	
TEXT. WHITE	178940	178941	

CONVERTER p.554

HELAX SML OUT HALOLED P. 405



HELAX SML OUT HALOLED

LUXEON M 7,84W
700mA DC
dimmable PWM or CCR
755 lumen
beam 36°

A+

95 mm
Installation height 100 (85) mm

CE	IP 54	2700K	3000K
TEXT. WHITE	249147	249157	
TEXT. BLACK	249146	249156	

CONVERTER p.560

≥ IP 54

OVERVIEW OUTDOOR FIXTURES FOR INDOOR ≥ IP 54

BRIX SINGLE BEAM IP65 P. 392



BRIX SINGLE BEAM IP65

LUXEON M 3.82W
230V - AC
dimmiabie L.C
400 lumen
UP ϕ 70° or DOWN ϕ 70°

A++

CE, IP 65, \triangle , \square , \triangle , \square

	2700K	3000K
TEXTURED BLACK	260941	260931
TEXTURED GREY	260943	260933
SILVER ANTHRACITE	260947	260937
SILVER SAND	260948	260938

p. 396

BRIX UP/DOWN IP65 P. 392



BRIX UP/DOWN IP65

LUXEON M (x2) 3.82W
230V - AC
dimmiabie L.C
2x 400 lumen
UP/DOWN ϕ 70°

A++

CE, IP 65, \triangle , \square , \triangle , \square

	2700K	3000K
TEXTURED BLACK	260942	260932
TEXTURED GREY	260946	260936
SILVER ANTHRACITE	260944	260934
SILVER SAND	260945	260935

p. 396

BRIX LONG SINGLE BEAM IP65 P. 395



BRIX LONG SINGLE BEAM IP65

LUXEON M 3.82W
230V - AC
dimmiabie L.C
400 lumen
UP ϕ 70° or DOWN ϕ 70°

A++

CE, IP 65, \triangle , \square , \triangle , \square

	2700K	3000K
TEXTURED BLACK	264941	264931
TEXTURED GREY	264943	264933
SILVER ANTHRACITE	264947	264937
SILVER SAND	264948	264938

BRIX LONG UP/DOWN IP65 P. 395



BRIX LONG UP/DOWN IP65

LUXEON M (x2) 3.82W
230V - AC
dimmiabie L.C
2x 400 lumen
UP/DOWN ϕ 70°

A++

CE, IP 65, \triangle , \square , \triangle , \square

	2700K	3000K
TEXTURED BLACK	264942	264932
TEXTURED GREY	264946	264936
SILVER ANTHRACITE	264944	264934
SILVER SAND	264945	264935

BRIX UP/DOWN IP65 P. 392



BRIX UP/DOWN IP65

LUXEON M (x2) 3.82W
230V - AC
dimmiabie L.C
2x 400 lumen
UP/DOWN ϕ 70°

A++

CE, IP 65, \triangle , \square , \triangle , \square

	2700K	3000K
TEXTURED BLACK	260942	260932
TEXTURED GREY	260946	260936
SILVER ANTHRACITE	260944	260934
SILVER SAND	260945	260935

p. 396

BRIX CEILING P. 396



BRIX CEILING

LUXEON M 3.82W
230V - AC
dimmiabie L.C
400 Lumen
beam 36°

A++

CE, IP 64, \triangle , \square , \triangle , \square

	2700K	3000K
TEXTURED BLACK	260972	260982
TEXTURED GREY	260976	260986
SILVER ANTHRACITE	260974	260984
SILVER SAND	260975	260985

p. 396




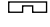















CLASSIFICATION OF FIXTURES

3) DEGREE OF FLAMMABILITY OF THE MOUNTING SURFACE

Fixtures cannot be mounted on just any convenient surface. The flammability of that surface and the temperature of the luminaire mounting plate impose certain restrictions in this respect. Naturally, if the surface is non-combustible, or if a certain distance spacer is employed, there is no problem. For the purpose of classification, the IEC defines flammable surfaces as being either normally flammable or readily flammable. Normally flammable refers to those materials having an ignition temperature of at least 200 °C and that will not deform or weaken at this temperature. Readily flammable are those materials that cannot be classified as either normally flammable or non-combustible. Materials in this category are not suitable as mounting surfaces for fixtures. Suspended mounting is then the only solution. The permitted temperature of that part of the luminaire housing coming into contact with the mounting surface is laid down in the so-called F-requirements. Fixtures that satisfy these requirements may bear symbol ∇_F .















IEC LUMINAIRE CLASSIFICATION ACCORDING TO FLAMMABILITY




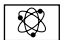


- a. Fixtures suitable for direct mounting only on non-combustible surfaces > No symbol, but a warning notice is required.
- b. Fixtures without built-in ballasts or transformers suitable for direct mounting on normally flammable surfaces > No symbol.
- c. Fixtures with built-in ballasts or transformers suitable for direct mounting on normally flammable surfaces > symbol ∇_F .

UK APPLICATION	F APPLICATION	D ANWENDUNG	NL TOEPASSING	E APLICACIÓN	I APPLICAZIONE
 CEILING MOUNTED SURFACE	PLAFONNIER	DECKENAUFBAU	PLAFONDMONTAGE OPBOUW	MONTAJE A TECHO	SOFFITTO
 CEILING MOUNTED TRIMLESS	PLAFONNIER SANS COLORETTE	DECKENEINBAU RAHMENLOS	PLAFONDMONTAGE INBOUW RANDLOOS	MONTAJE A TECHO SIN MARCO	SOFFITTO SENZA CORNICE
 CEILING MOUNTED RECESSED SOLID	ENCASTRE PLAFOND	DECKENEINBAU FÜR BETONDECKEN	PLAFONDMONTAGE INBOUW VOL PLAFOND	EMPOTRAJE A TECHO DE HORMIGON	INCASSO SOFFITTO
 CEILING MOUNTED RECESSED HOLLOW	ENCASTRE POUR FAUX PLAFONDS	DECKENEINBAU FÜR HOHLRAUMDECKEN	PLAFONDMONTAGE INBOUW HOL PLAFOND	MONTAJE A FALSO TECHO	INCASSO SOFFITTO CAVO
 CEILING MOUNTED SEMI-RECESSED	SEMI-ENCASTRE	HALBEINBAU	PLAFONDMONTAGE HALF INBOUW	MONTAJE A TECHO MEDIO EMPOTRADO	SOFFITTO SEMI INCASSO
 SUSPENDED	SUSPENSION	ABGEPENDELT	GEPENDELD	SUSPENDIDA	SOSPESO
 WALL MOUNTED SURFACE	APPLIQUE	WANDAUFBAU	WANDMONTAGE OPBOUW	MONTAJE A PARED	PARETE
 WALL MOUNTED TRIMLESS	APPLIQUE SANS COLORETTE	WANDEINBAU RAHMENLOS	WANDMONTAGE INBOUW RANDLOOS	MONTAJE A PARED SIN MARCO	PARETE SENZA CORNICE
 WALL MOUNTED RECESSED SOLID	ENCASTRE MURAL	WANDEINBAULEUCHTE FÜR BETON	WANDMONTAGE INBOUW VOLLE WAND	EMPOTRAJE A PARED DE HORMIGON	PARETE INCASSO
 WALL MOUNTED RECESSED HOLLOW	ENCASTRE MURAL POUR PAROIS CREUSES	WANDEINBAULEUCHTE FÜR HOHLRAUMWAND	WANDMONTAGE INBOUW HOLLE WAND	MONTAJE A FALSA PARED	PARETE INCASSO CAVO
 WALL MOUNTED SEMI-RECESSED	APPLIQUE SEMI-ENCASTREE	HALBEINBAU	WANDMONTAGE HALF INBOUW	MONTAJE A PARED MEDIO EMPOTRADO	PARETE SEMI INCASSO
 FLOOR	SOL	STEHLEUCHTE	VLOERMONTAGE	SUELO	PAVIMENTO
 FLOOR RECESSED	ENCASTRE SOL	BODENEINBAU	VLOERMONTAGE INBOUW	EMPOTRABLE A SUELO	INCASSO NEL PAVIMENTO
 FLOOR RECESSED FLUSH	ENCASTRE AU RAS DU SOL	BODENEINBAU BÜNDIG	EFFEN VLOERMONTAGE	EMPOTRABLE DE SUELO A RAS	A FILO PAVIMENTO
 STAND ALONE	LAMPE À POSER	FREISTEHEND	VRIJSTAAND	LAMPARA DE MESA	A PIANTANA
 LAYERS	LAYERS	LAYERS	LAYERS	LAYERS	LAYERS
 EXTERIOR	ÉCLAIRAGE EXTÉRIEUR	AUSSENLEUCHTEN	BUITENVERLICHTING	ILLUMINAZIONE PER ESTERNI	ILUMINACIÓN EXTERIOR
 PROFILES	PROFILÉS	PROFILE	PROFIELSYSTEMEN	PROFILI	PERFILES
 TRACK	ÉCLAIRAGE SUR RAIL	TRACK SCHIENE	RAILVERLICHTING	ILLUMINAZIONE A BINARIO	ILUMINACIÓN PARA CARRIL



PROPERTIES

technical info

	UK APPLICATION	F APPLICATION	D ANWENDUNG	NL TOEPASSING	E APLICACIÓN	I APPLICAZIONE
	INTERIOR USE	USAGE INTERIEUR	INNENBEREICH	BINNENGEBRUIK	USO INTERIOR	USO INTERNO
	EXTERIOR USE	USAGE EXTERIEUR	AUSSENBEREICH	BUITENGEBRUIK	USO EXTERIOR	USO ESTERNO
	NORMALLY FLAMMABLE SURFACE	SURFACE NORMALEMENT INFLAMMABLE	FEUERSCHUTZZEICHEN	NORMAAL ONTVLAMBARE OPPERVLAKTEN	SUPERFICIES NORMALMENTE INFLAMMABLES	SUPERFICI NORMALMENTE INFIAMMABILI
IP XX	IP RATING	INDICE DE PROTECTION	IP SCHUTZART	IP WAARDE	GRADO DE PROTECCIÓN	GRADO DI PROTEZIONE
	OBLIGATORY ACCESSORY	ACCESSOIRE OBLIGATOIRE	OBLIGATORISCHE ZUBEHÖR	VERPLICHT ACCESSOIRE	ACCESORIO OBLIGATORIO	ACCESSORIO OBBLIGATORIO
	OPTIONAL ACCESSORY	ACCESSOIRE OPTIONNEL	OPTIONALES ZUBEHÖR	OPTIE	ACCESORIO OPCIONAL	ACCESSORIO OPZIONALE
	CONFORMANCE EU	CONFORME AUX NORMES CE	KONFORM EU	CONFORMITEITSTEKEN EU	CONFORME EU	CONFORME EU
	ROTATION	ROTATIF	DREHBAR	HORIZONTALE RICHTBAARHEID	ROTACIÓN HORIZONTAL	ROTATIVO
	TILT	INCLINABLE	SCHWENKBAR	VERTICALE RICHTBAARHEID	ROTACIÓN VERTICAL	AGGIUSTABILE
	GIMBLE	ORIENTABLE	KARDANISCH	KARDANISCH	ORIENTABLE	BASCULANTE
	EFFICIENCY > 100 lm/W	RENDEMENT > 100 lm/W	EFFIZIENZ > 100 lm/W	RENDEMENT > 100 lm/W	EFICIENCIA > 100 lm/W	EFFICIENZA > 100 lm/W
	90 lm/W < EFFICIENCY < 100 lm/W	90 lm/W < RENDEMENT < 100 lm/W	90 lm/W < EFFIZIENZ < 100 lm/W	90 lm/W < RENDEMENT < 100 lm/W	90 lm/W < EFICIENCIA < 100 lm/W	90 lm/W < EFFICIENZA < 100 lm/W
	80 lm/W < EFFICIENCY < 90 lm/W	80 lm/W < RENDEMENT < 90 lm/W	80 lm/W < EFFIZIENZ < 90 lm/W	80 lm/W < RENDEMENT < 90 lm/W	80 lm/W < EFICIENCIA < 90 lm/W	80 lm/W < EFFICIENZA < 90 lm/W
	70 lm/W < EFFICIENCY < 80 lm/W	70 lm/W < RENDEMENT < 80 lm/W	70 lm/W < EFFIZIENZ < 80 lm/W	70 lm/W < RENDEMENT < 80 lm/W	70 lm/W < EFICIENCIA < 80 lm/W	70 lm/W < EFFICIENZA < 80 lm/W
	WEIGHT	POIDS	GEWICHT	GEWICHT	PESO	PESO


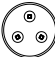



	UK APPLICATION	F APPLICATION	D ANWENDUNG	NL TOEPASSING	E APLICACIÓN	I APPLICAZIONE
	CLASS 1	CLASSE 1	KLASSE 1	KLASSE 1	CLASE 1	CLASSE 1
	CLASS 2	CLASSE 2	KLASSE 2	KLASSE 2	CLASE 2	CLASSE 2
	CLASS 3	CLASSE 3	KLASSE 3	KLASSE 3	CLASE 3	CLASSE 3
	ELECTRONICAL GEAR	APPAREILLAGE ÉLECTRONIQUE	ELEKTRONISCHES VORSCHALT-GERÄT	ELECTRONISCHE VOORSCHAKELAP-PARATUUR	EQUIPO ELECTRÓNICO	PIASTRA ELETTRONICA
	MAINS VOLTAGE	TENSION RÉSEAU	NETZSPANNUNG	NETSPANNING	RED DE VOLTAJE	TENSIONE DI RETE
	ELECTRONICAL GEAR REQUIRED	APPAREILLAGE ÉLECTRONIQUE OBLIGATOIRE	ELEKTRONISCHES VORSCHALT-GERÄT ERFORDERLICH	ELECTRONISCHE VOORSCHAKELAP-PARATUUR VEREIST	SE REQUIERE EQUIPO ELECTRONICO	PIASTRA ELETTRONICA RICHIESTA
C	DIMMABLE WITH TRAILING EDGE DIMMER	DIMMABLE PAR VARIATEUR EN COUPURE FIN DE PHASE	DIMMBAR MIT PHASENAB-SCHNITTSDIMMER	DIMBAAR MET FASE-AFSNIJDIMMER	DIMERIZABLE CON DIMER CORTE AL FINAL DE FASE	DIMMERABILE CON TRAILING EDGE DIMMER
L,C	DIMMABLE WITH UNIVERSAL DIMMER	DIMMABLE PAR VARIATEUR UNIVERSEL	DIMMBAR MIT PHASENANSCHNITT-/PHASENABSCHNITTSDIMMER	DIMBAAR MET FASE-AANSNIJDIMMER OF FASE-AFSNIJDIMMER	DIMERIZABLE CON DIMER CORTE AL PRINCIPIO O AL FINAL DE FASE	DIMMERABILE CON TRAILING O LEADING EDGE DIMMER
L	DIMMABLE WITH LEADING EDGE DIMMER	DIMMABLE PAR VARIATEUR EN ATTAQUE DE PHASE	PHASENANSCHNITTSDIMMER	DIMBAAR MET FASE-AANSNIJDIMMER	DIMERIZABLE CON DIMER CORTE AL PRINCIPIO DE FASE	DIMMERABILE CON DIMMER LEADING EDGE
R	DIMMABLE WITH STANDARD DIMMER	DIMMABLE PAR VARIATEUR STANDARD	DIMMBAR MIT STANDARTDIMMER	DIMBAAR MET STANDAARDDIMMER	DIMERIZABLE CON DIMER ESTÁNDAR	DIMMERABILE CON DIMMER STANDARD
PWM	PULSE WIDTH MODULATION	MODULATION DE LARGEUR D'IMPULSION	PULSWEITENMODULATION	PULSE BREEDETE MODULATIE	MODULACIÓN DE ANCHO DE PULSO	MODULAZIONE LARGHEZZA DI IMPULSO

CUT OUT

	UK CUT OUT	F DECOUPE	D AUSSCHNITT	NL ZAAGGAT	E CORTE	I TAGLIO
	CUT OUT ROUND	DECOUPE RONDE	AUSSCHNITT RUND	INBOUWOPENING ROND	CORTE REDONDO	TAGLIO ROTONDO
	CUT OUT SQUARE	DECOUPE SQUARE	AUSSCHNITT QUADRATISCH	INBOUWOPENING VIERKANT	CORTE CUADRADO	TAGLIO QUADRATO

OVERVIEW LEDSYSTEMS

technical info

TYPE	COLORTEMP	FIXTURE	CRI	180 mA				300 mA				350 mA								
				lm	P	lm/P	TYP VF	lm	P	lm/P	TYP VF	lm	P	lm/P	TYP VF					
	CREE XPE	2700																		
	CREE XPE	3000	MINI HELAX, CHROMOS, DIABOLO S, DICE WALL, LUCY M, ELITE XT, BLOX, GREG, HEB, GUIDO, LISDODDE	80											94	1,2	78	3,2		
	CREE XPE	6250		75											114	1,2	95	3,2		
	TRIPLE LED	2700	GREGORY**	80																
	TRIPLE LED	3000	GREGORY**	80											282	3,36	84	9,6		
	TRIPLE LED	6250	GREGORY**	75											342	3,36	102	9,6		
	XICATO XTM 6,3W	2700	MINI HELVA, MINI INTANA, MINI UBO/OBO	95											720	6,3	97	18,1		
	LED LINEAR ARRAY 300Lm	2700	MAZ**	82											300	2	150	5,9		
	LED LINEAR ARRAY 300Lm	3000	MAZ**	82											300	2	150	5,9		
	LED LINEAR ARRAY 600Lm	2700	MAZ, EOS**	82											600	4,1	146	11,8		
	LED LINEAR ARRAY 600Lm	3000	MAZ, EOS**	82											600	4,1	146	11,8		
	LED LINEAR ARRAY 1200Lm	2700	EOS**	82											1200	8,2	146	23,6		
	LED LINEAR ARRAY 1200Lm	3000	EOS**	82											1200	8,2	146	23,6		
	CITIZEN 7W	2700	BOA, LUCYS**	85																
	CITIZEN 7W	3000	BOA, LUCYS**	85																
	BRIDGELUX COB 6,2W	2700	CEDRUS QUANTUM	80											720	6,2	116	17,7		
	BEAUFORT CRI 82*	2700	MINI TOMMY, ECLIPS, INCAS R	82	635	6,6	96	36,6												
	BEAUFORT CRI 82*	3000	MINI TOMMY, ECLIPS, INCAS R	82	675	6,6	102	36,6												
	BEAUFORT CRI 92	2700	MINI TOMMY, ECLIPS, INCAS R	92	758	6,22	122	34,6												
	BEAUFORT CRI 92	3000	MINI TOMMY, ECLIPS, INCAS R	92	793	6,22	127	34,6												
	CITIZEN 13,3W	2700-1800	HELAX HALOSPHERE	90											950	13,3	71,4	37,5		
	BEAUFORT² CRI 92	2700	TOMMY, ECLIPS, INCAS R, WODAN	92											1508	12,32	122	35,2		
	BEAUFORT² CRI 92	3000	TOMMY, ECLIPS, INCAS R, WODAN	92											1575	12,32	128	35,2		
	BEAUFORT² CRI 92	4000	TOMMY, ECLIPS, INCAS R, WODAN	92											1623	12,32	132	35,2		
	CREE XP63	2700	PANDORA**, ODIL, ODILON, B4	92																
	CREE XP63	3000	PANDORA**, ODIL, ODILON, B4	92																

* CRI 82 will become CRI 92 during 2018
 ** Converter incorporated in luminaire

OVERVIEW LEDSYSTEMS

technical info

	TYPE	COLORTEMP	FIXTURE	CRI	180 mA				300 mA				350 mA			
					lm	P	lm/P	TYP VF	lm	P	lm/P	TYP VF	lm	P	lm/P	TYP VF
	LUXEON M	2700	THINK SMALL	80									400	3,82	105	10,95
	LUXEON M	3000	THINK SMALL	80									429	3,82	112	10,95
	LUXEON M	2700	HALOLED	80									400	3,82	105	10,95
	LUXEON M	3000	HALOLED	80									429	3,82	112	10,95
	PHOBOS 24V	2700	MINI UBO/OBO	85									300	3,33	90	9,5
	PHOBOS 24V	3000	MINI UBO/OBO	85									300	3,33	90	9,5
	PHOBOS 24V	6250	MINI UBO/OBO	85									300	3,33	90	9,5
	OSRAM PREVALED DC CORE 1000Lm	2700	BERRIER, PARIS**	90									1365	12,6	108	36
	OSRAM PREVALED DC CORE 3000Lm	3000	SIGMA**	80												
	OSRAM PREVALED DC CORE 3000Lm	4000	SIGMA**	80												
	OSRAM PREVALED DC CORE 3000Lm	3000	ECLIPS, TOMMY	80												
	OSRAM PREVALED DC CORE 3000Lm	4000	ECLIPS, TOMMY	80												
	OSRAM PREVALED DC CORE 5000Lm	3000	ECLIPS, TOMMY	80												
	OSRAM PREVALED DC CORE 5000Lm	4000	ECLIPS, TOMMY	80												
	OSRAM PREVALED LEDSTRIP HE 650Lm	2700	2U, 2UR, 2UW	80												
	OSRAM PREVALED LEDSTRIP HE 650Lm	3000	2U, 2UR, 2UW	80												
	OSRAM PREVALED LEDSTRIP HE 650Lm	4000	2U, 2UR, 2UW	80												
	OSRAM PREVALED LEDSTRIP HO 1100Lm	2700	2U, 2UR, 2UW	80												
	OSRAM PREVALED LEDSTRIP HO 1100Lm	3000	2U, 2UR, 2UW	80												
	OSRAM PREVALED LEDSTRIP HO 1100Lm	4000	2U, 2UR, 2UW	80												
	LED SMD ARRAY SMALL	2700	FABIAN, ROLLO, HUBBLE, DIABOLO M**	82												
	LED SMD ARRAY SMALL	3000	FABIAN, ROLLO, HUBBLE, DIABOLO M**	82												
	LED SMD ARRAY SMALL	4000	FABIAN, ROLLO, HUBBLE, DIABOLO M**	82												
	LED SMD ARRAY MEDIUM	3000	LUZIEN LED, ROLLO, HUBBLE**	82												
	LED SMD ARRAY MEDIUM	4000	LUZIEN LED, ROLLO, HUBBLE**	82												
	LED SMD ARRAY LARGE	3000	FABIAN 500**	80												
	LED SMD ARRAY LARGE	4000	FABIAN 500**	80												
	ANNULAR LED ARRAY 1400Lm	2700	ORBITAL	92									1365	11,4	120	32,5
	ANNULAR LED ARRAY 1400Lm	3000	ORBITAL	92									1400	11,4	123	32,5
	ANNULAR LED ARRAY 1000Lm halosphere	3000-1800	ORBITAL	97									1110	11,4	97,5	32,5

* CRI 82 will become CRI 92 during 2018
 ** Converter incorporated in luminaire

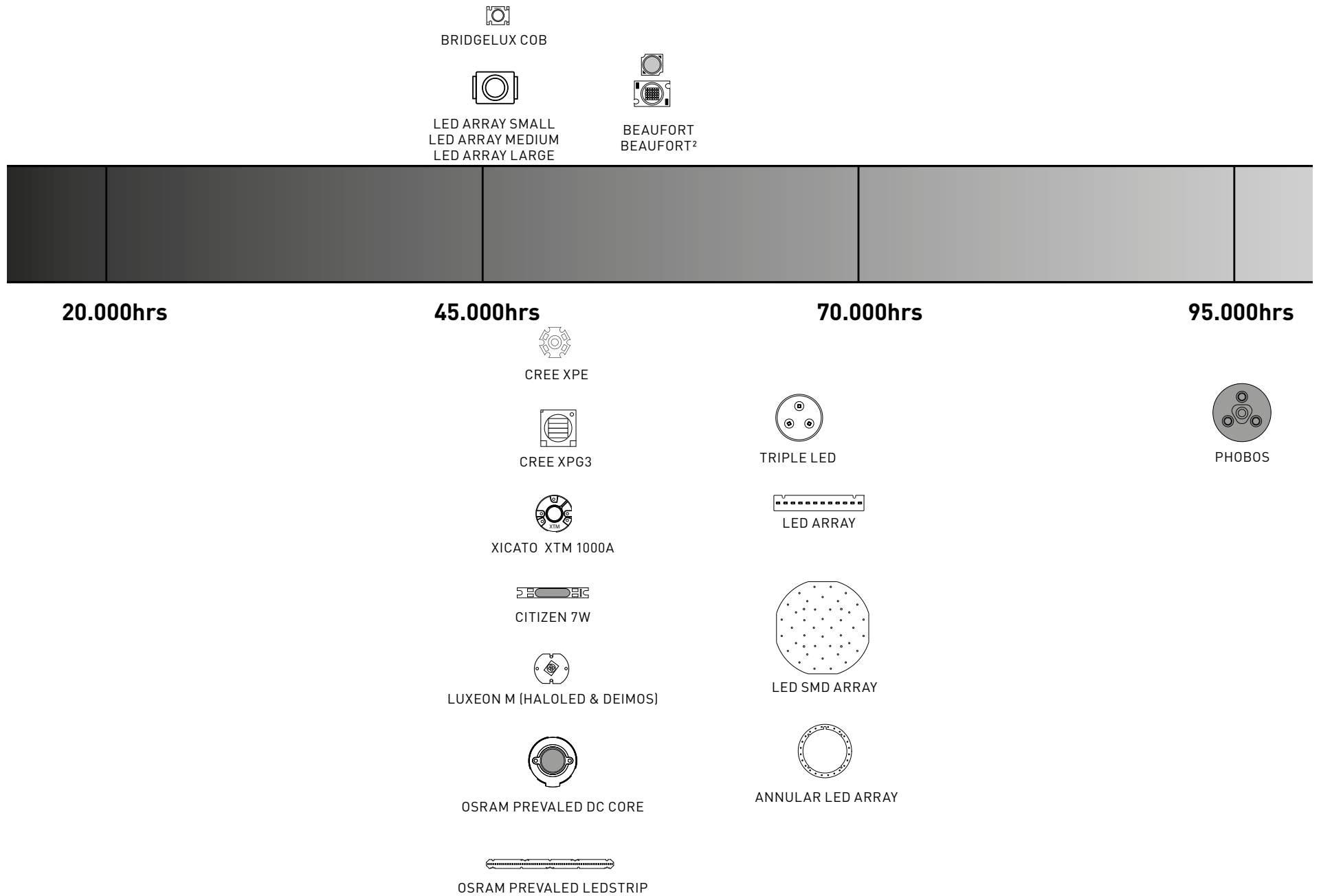
technical info

OVERVIEW LEDSYSTEMS

500 mA				600 mA				700 mA				900 mA				230V				SEE CONVERTER**				DIM PROTOCOL LED STRIP	SDCM	LIFETIME L70 IN 1000HRS							
Lm	P	lm/P	TYP VF	Lm	P	lm/P	TYP VF	Lm	P	lm/P	TYP VF	Lm	P	lm/P	TYP VF	Lm	P	lm/P	TYP VF	Lm	P	lm/P	TYP VF										
																							PWM/CCR	3	50								
																								PWM/CCR	3	50							
566	5,53	102	11,05					755	7,84	96	11,2													PWM/CCR	3	50							
608	5,53	110	11,05					810	7,84	103	11,2														PWM/CCR	3	50						
390	5	78	10					540	7,35	73	10,5														NO	3	95						
390	5	78	10					540	7,35	73	10,5														NO	3	95						
390	5	78	10					540	7,35	73	10,5														NO	3	95						
																									PWM/CCR	2,5	50						
				3000	21,06	142	35,2																		PWM/CCR	2,5	50						
				3000	21,06	142	35,2																			PWM/CCR	2,5	50					
				3401	27	126	45,1																			PWM/CCR	2,5	50					
				3712	27	137	45																			PWM/CCR	2,5	50					
												4613	38,4	120	42,7											PWM/CCR	2,5	50					
												5047	38,4	131	42,6											PWM/CCR	2,5	50					
																										650	4,4	148	36	PWM/CCR	2,5	50	
																										650	4,4	148	36	PWM/CCR	2,5	50	
																										650	4,4	148	36	PWM/CCR	2,5	50	
																										1100	6,3	175	36	PWM/CCR	2,5	50	
																										1100	6,3	175	36	PWM/CCR	2,5	50	
																										1100	6,3	175	36	PWM/CCR	2,5	50	
2000	13,3	150	28,7																								PWM/CCR	3	45				
2000	13,3	150	28,7																								PWM/CCR	3	45				
2200	13,3	165	28,7																								PWM/CCR	3	45				
								2960	20,11	147	28,55																	PWM/CCR	3	45			
								3270	20,11	163	31																	PWM/CCR	3	45			
																											5200	35,2	148	36	PWM/CCR	2,5	50
																											5200	35,2	148	36	PWM/CCR	2,5	50
																												PWM/CCR	3	50			
																												PWM/CCR	3	50			
																												CCR	3	50			

CHARACTERISTICS LEDSYSTEMS

technical info









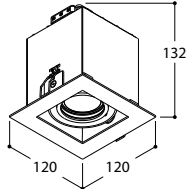
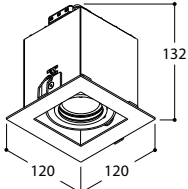
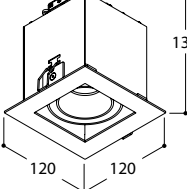
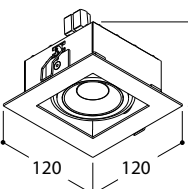


D

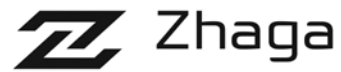
B

A+

A++

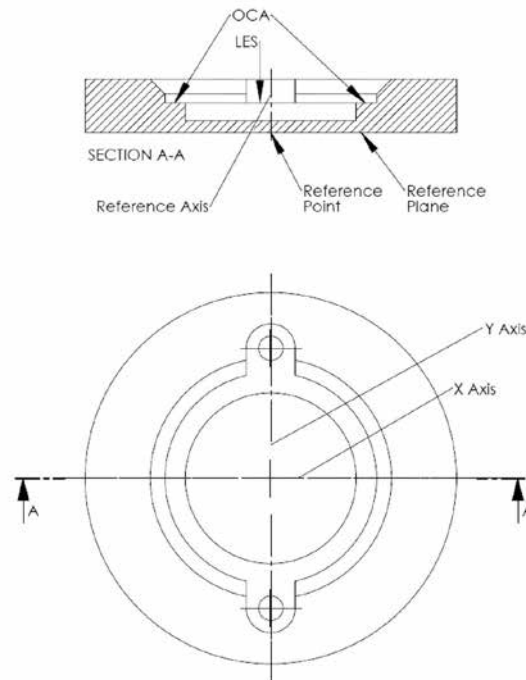
	QR-C51	LED PAR16	HALOLED	BEAUFORT
				
	Halogen	Philips corepro ledspot	Luxeon M	Citizen
				
LIFETIME (hrs) L70	1000-200	15000	50000	60000
COLOR CONSISTENCY (SDCM)	1-2	5-7	3 (freedom of binning)	3
CRI (R _a)	100	80	80	92
DIMMABILITY	L, C (see transformer)	not or poor mains dimmable	PWM	PWM
LUMINOUS INTENSITY @36° (cd)	2439	1236	2455	2465
LUMINOUS FLUX (lm) 2700K	750	380	755	758
POWER CONSUMPTION (W)	50	5	7,84	6,22
EFFICIENCY (lm/W)	15	76	96	122
POWER SUPPLY	12V AC	230V AC	700mA DC	180mA DC
INSTALLATION DEPTH	135	135	135	60
				

LIFETIME (hrs) L70
 COLOR CONSISTENCY (SDCM)
 CRI (R_a)
 DIMMABILITY
 LUMINOUS INTENSITY @36° (cd)
 LUMINOUS FLUX (lm) 2700K
 POWER CONSUMPTION (W)
 EFFICIENCY (lm/W)
 POWER SUPPLY
 INSTALLATION DEPTH



The Zhaga Consortium is developing specifications that enable the interchangeability of LED light sources made by multiple different manufacturers. The Zhaga specifications, known as Books, describe the interfaces between LED luminaires and LED light engines. Zhaga's members include hundreds of companies from throughout the global lighting industry. The cooperation is governed by a consortium agreement that defines rules regarding confidentiality, intellectual property and decision making.

BOOK 3

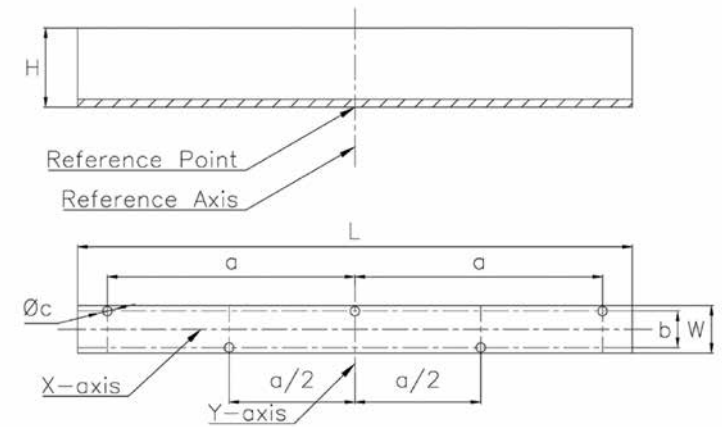


round: book 3 TYPE D:
 NON-SOCKETABLE WITH SEPARATE CONTROL
 GEAR 7,2MM x 50MM
 LES 9MM - 23MM ROUND
 Edition 1.3 October 2013

CONFORM BOOK 3

- TOMMY TORNADO
- TOMMY TRIMLESS TORNADO
- ECLIPS TORNADO

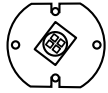
BOOK 7



linear: book 7 Type D:
 non-socketable with separate electronic control gear
 RECTANGULAR NON-SOCKETABLE LLE WITH UNDEFINED LIGHT
 EMITTING SURFACE AND
 SEPARATE ECG
 Edition 1.1 June 2013
 L28W2 category

CONFORM BOOK 7

- PROFILE 2U + 2U R LEDMODULES



About Luxeon M

LUXEON M is an illumination grade multi-die LED designed to enable indoor and outdoor applications targeting either high efficiency or low cost. With Freedom from Binning and leading performance, LUXEON M falls within a single 3 MacAdam ellipse centered in ANSI to ensure color consistency from LED to LED, delivering high efficacy and high flux density from a uniform source with tight correlated color temperature control. The superior quality of light, volume of lumens, and real world efficacy enable leading performance and efficient solution development in a wide variety of lighting segments.



About chip on board (COB): Citizen, Prevaled

Led modules with phosphor layers on the chip produces higher luminous flux per watt than random mixtures or arrays. A very small form factor gives design flexibility and results in small fixtures for power packages above 20W. The led module acts as singular ledspot with 1 optic or reflector without throwing shadows on the lighted surface.



About Xicato XTM

Each Xicato module has a consistent color appearance and is targeted exactly on the Black Body Locus for perfectly natural white light. Each has a very tight color point conformity, with a 1 x 2 MacAdam ellipse tolerance. LED binning becomes a thing of the past. With the Artist Series, carefully controlling both the LED and phosphor specification, a CRI of Ra over 95 is achieved, compared to a CRI of Ra over 80 with the standard range. Typically the Color Rendering Index evaluates only the first 8 pastel reference samples of the conventional CRI metric. The Artist Series is optimized to deliver excellent results for the more saturated and skin color samples of the CRI reference set. For the deep red R9 reference sample, a value of 96 has been achieved in the Artist Series.

The Xicato module has a uniform (Lambertian) emitting disk as source, which is reflected in a perfectly uniform beam with no multiple shadows or colour variations over angle. This Solid State Lighting carries the promise of long life.

Xicato XTM modules are simple and rugged with a full aluminium shell and inset glass, they have an IP 66 rating. Their patented Corrected Cold Phosphor Technology™ ensures long term maintenance of the phosphor properties, contrary to phosphor on chip solutions.



With **Beaufort**, TAL launches a brand new LEDtechnology that will knock the lighting world off its feet by a metaphorical fierce gust of wind. The name 'Beaufort' is put together from the words 'beau' and 'fort'; a combination of beauty and power, splendor and strength. This combined action of beauty and power reveals itself in the fact that Beaufort delivers a pleasant warm white light of 2700K (the atmosphere of the incandescent light bulbs) together with a high output; a combination that was, up until now, impossible to obtain. Beaufort is also available in 3000K.

Beaufort does not only produce a powerful and a well-defined beam, the module also looks splendid and refined. In short: **Power meets beauty.**

Chip-on-Board (COB): A beautiful and bright light beam

Beaufort makes use of the chip-on-board technology (COB), a production technique where the chips are mounted directly on the PCB. The chips are encapsulated by a phosphorus coating which isolates and protects them. This makes it possible to produce a higher efficiency than any other combination or by mixing leds. The different, adjacent chips in one chip-on-board module act as one singular led which, by means of a high output lens, casts a perfect light beam without any shadows.

2700K: A pleasant light experience

What makes Beaufort so exceptional is the fact that this technology produces an enjoyable warm white light of 2700K, the same soft and pleasant light of the light bulbs of yesteryear. The warm and comfortable light that this technology provides, demonstrates furthermore that Beaufort can perfectly replace a 50W halogen bulb with only 6,6W. Dimming is also possible by means of PWM and therefore dimmable converters. The attractive warm white light of Beaufort makes this technology ideal for applications in hotels and restaurants, snug living rooms and cosy kitchens. In other words, Beaufort is at its best in rooms where you can relax and have a pleasant chat with your loved ones after a hard day.

180mA: High efficiency

Our products with Beaufort technology are driven at 180mA, while other LED-devices are driven at 350 or 700mA. In other words, Beaufort offers plenty of output for very little input. The fittings with Beaufort deliver, with a light efficiency of almost 100 lm/W, not only an exceptionally high output, the design also looks very refined. Because of the fact that the leds are used within their ideal operating range, less heat is produced which allows for the use of smaller heatsinks. Consequently, the required installation height is very limited. In brief: the small shape of the Beaufort module provides more design flexibility in very small fittings. The catchphrase 'when power meets beauty' is therefore Beaufort-wise certainly in order.

2



POWER MEETS BEAUTY (the story continues...)

After launching the successful Beaufort LED technology, TAL is now about to introduce an even more powerful version of this series. This technology has been designed for applications that require more light, including higher ceilings (>3m), retail spaces and so on.

While the Beaufort is a perfect alternative to the traditional QR-C51 halogen lamp, Beaufort² has been developed as such that in terms of shape it can easily replace the QR111 halogen lamp.

Beaufort² produces up to three times as much light compared to the regular Beaufort and is even more beautifully finished than its little brother. **This is how POWER(X3) meets BEAUTY.**

CHIP ON BOARD

Beaufort uses the latest chip-on-board technology (COB), which is an assembly technology whereby LED chips are fitted directly onto the PCB. A phosphor layer is then added to isolate and carefully protect those chips. As a result, more luminous power is produced per consumption (W) compared to any other combination or mixing of LEDs. The multiple, adjacent chips in one chip-on-board module respond like a single LED, which through a high-efficiency lens casts a perfect beam of light without any false shadows. The COB led is the latest technology of CITIZEN™.

Two light colours available

BEAUFORT² is available in two colour temperatures. You may opt for 3000K, which is a warm white light and perfect for the project market as general or accent lighting. Alternatively you may choose 2700K which provides more gentle light and therefore is more suitable for hospitality and residential applications.

A++ Label

The Beaufort² technology is efficient to such extent that in fact it is one of the first light sources Europe has granted the A++ label. The Beaufort² module can be driven up to 500mA. At 500mA it will provide about 2000lumen, which comes down to an efficiency of more than 110lumen/W. Provided the Beaufort² module is driven at 350mA it will still provide 1500lumen, which equals an efficiency of 115lumen/W.

OVERVIEW MOUNTING POSSIBILITIES FOR DOWNLIGHTS

technical info

Fixture	Page	Fixation type	Hollow ceiling plasterboard	Visible concrete ceiling	Plastered concrete ceiling	Plastered stalton ceiling
B4	134	LEAF	●		○	○
B4	134	TORSION	●			
CEDRUS	106	LEAF	●		○	○
CEDRUS	106	TORSION	●			●
DREBBEL	54	PLASTERBOARD INCL.	●			
DREBBEL	54	PLASTERKIT	●		○	○
ECLIPS ROUND/SQUARE BEAUFORT	119	LEAF	●		○	○
ECLIPS LEAF	119	LEAF	●		○	○
ECLIPS TORSION	120	TORSION	●			
FUNNEL	108	LEAF	●		○	○
FUNNEL	108	TORSION	●			
HELAX	91	LEAF	●		○	○
HELAX	91	TORSION	●			○
HELAX MEDIUM	88	LEAF	●		○	○
HELAX SML	102	LEAF	●		○	○
HELAX SML	102	TORSION	●			
HELVA	100	LEAF	●		○	○
HELVA	100	TORSION	●			○
INCAS	61	PLASTERBOARD INCL.	●			
INTANA	57	TRIMLESS RING NEEDED	●		○	○
MICRO TOMMY	128	LEAF	●			
MICRO TOMMY	125	TORSION	●			
MINI HELAX	87	LEAF	●		○	○
MINI TOMMY	140	TORSION	●		●	●
MINI TOMMY TRIMLESS	70	TRIMLESS FRAME NEEDED	●	●		●
ODILON	137	LEAF	●		○	○
ODILON	137	TORSION	●			
QUAD	130	TORSION	●		●	●
QUAD ASYMMETRIC	133	TORSION	●			
SIMPLON	116	LEAF	●		○	○
SIMPLON	116	TORSION	●			
SOLID	113	LEAF	●		○	○
SPINA	96	LEAF	●		○	○
TOMMY	145	BRACKET	●	●	●	●
TOMMY TRIMLESS	74	TRIMLESS FRAME NEEDED	●	●		●

Dia	Fixture	Min. Recessed Depth	page	
40	MINI HELAX	60	87	
55	HELAX SML TORSION	65	102	
56	DICE EXO	60	138	
	HELAX SML LEAF	55 (70 for solid)	102	
	HELAX MEDIUM	58 (70 for solid)	88	
	FUNNEL EXO	65 (80 for solid)	110	
	KOSMOS BASE	65	312	
	MICRO ECLIPS LEAF	50 (65 for solid)	85	
	MICRO ECLIPS TORSION	50	85	
	68	CLIO QR-C51	90	www.tal.be
		CLIO GU10	135	www.tal.be
SIMPLON QR-C51		95	www.tal.be	
SIMPLON GU10		135	www.tal.be	
SIMPLON SPLASH		100	www.tal.be	
FIX QR-C51		90	www.tal.be	
FIX GU10		135	www.tal.be	
70		HELAX QR-C51	115	www.tal.be
	HELAX 70 HALOLED	85 (100 for solid)	91	
	HELAX HALOLED IP54	85 (100 for solid)	92	
	NOBEL SFEROS	75	82	
	ODILON LEAF	75 (85 for solid)	137	
	ODILON TORSION	75	137	
	SPINA HALOLED	85 (100 for solid)	96	
	SPINA QR-C51	130	www.tal.be	
	SPINA GU10	130	www.tal.be	

Dia	Fixture	Min. Recessed Depth	page
74	MINI HELVA XICATO ARTIST	95	99
76	FUNNEL FIX	75 (90 for solid)	108
	CEDRUS QUANTUM LEAF	85 (100 for solid)	107
	CEDRUS QUANTUM TORSION	100	107
80	B4 LEAF	75 (90 for solid)	134
	B4 TORSION	75	134
	HELAX HALOSPHERE	85	95
	SOLID QR-C51	90	www.tal.be
	SOLID GU10	135	www.tal.be
	SOLID HALOLED	55 (70 for solid)	113
	ORION QR-C51	90	www.tal.be
	ORION GU10	135	www.tal.be
82	SIMPLON HALOLED TORSION	55	118
	SIMPLON HALOLED LEAF	55 (70 for solid)	118
	SIMPLON BEAUFORT TORSION	45	116
	SIMPLON BEAUFORT LEAF	45 (60 for solid)	116
	83	CEDRUS GU10	125
CEDRUS GU10 TORSION		185	www.tal.be
CEDRUS BEAUFORT		100 (125 for solid)	106
92	HELVA QR-C51	115	www.tal.be
	HELVA GU10	130	www.tal.be
	HELVA BEAUFORT TORSION	70	100
	HELVA BEAUFORT LEAF	70 (80 for solid)	100
	FUNNEL FLEX	75 (90 for solid)	108
95	HELAX SML HALOLED	85 (100 for solid)	104

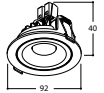
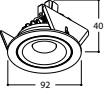
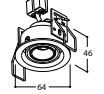
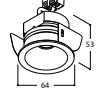
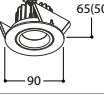
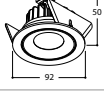
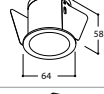
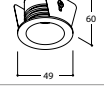
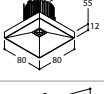
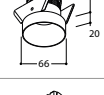
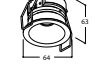
Dia	Fixture	Min. Recessed Depth	page
105	ECLIPS BEAUFORT	70(105 for solid)	119
125	ORBITAL LIGHT ONLY-SMOKE	45	43
127	HELAX SML BEAUFORT ²	90 (105 for solid)	105
154	ECLIPS QR111	125	www.tal.be
	ECLIPS BEAUFORT ²	125	120
	ECLIPS TORNADO	220	123

OVERVIEW DOWNLIGHTS WITH LIMITED INSTALLATION HEIGHT (<65mm)

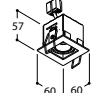
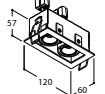
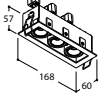
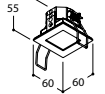
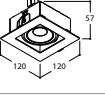
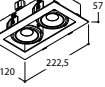
technical info

NO INTERFERENCE WITH THE VAPOUR BARRIER: IDEAL FOR SUPER INSULATED HOUSES

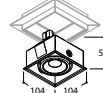
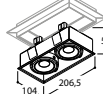
ROUND CUT OUT DOWNLIGHTS

Min. Recessed Height	Fixture	Page
45	 SIMPLON BEAUFORT TORSION	82 116
45 (60 for solid)	 SIMPLON BEAUFORT LEAF	82 116
50	 MICRO ECLIPS	56 85
55 (70 for solid)	 HELAX SML LEAF	55 102
55 (70 for solid)	 SOLID HALOLED	80 113
55 (70 for solid)	 SIMPLON HALOLED	82 118
58 (70 for solid)	 HELAX MEDIUM	56 88
60	 MINI HELAX	40 87
60	 DICE EXO	56 138
65	 FUNNEL EXO	56 110
65	 HELAX SML TORSION	55 102

RECTANGULAR CUT OUT DOWNLIGHTS

Min. Recessed Height	Fixture	Page
60	 MICRO TOMMY 1	52 x 52 125
60	 MICRO TOMMY 2	114 x 52 125
60	 MICRO TOMMY 3	162 x 52 125
60	 MICRO TOMMY IP54	52 x 52 129
60	 MINI TOMMY 1 BEAUFORT	110 x 110 140
60	 MINI TOMMY 2 BEAUFORT	210 x 110 140

TRIMLESS

Min. Recessed Height	Fixture	Page
60	 MINI TOMMY 1 BEAUFORT	112 x 112 70
60	 MINI TOMMY 2 BEAUFORT	213 x 112 70

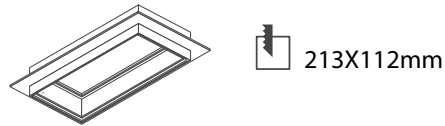
technical info

OVERVIEW INSTALLATION FRAMES FOR PLASTER FOR TRIMLESS DOWNLIGHTS

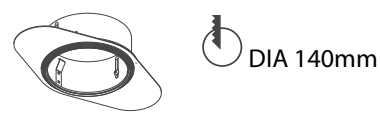
720199 MINI INSTALLATION FRAME FOR PLASTER 1



720299 MINI INSTALLATION FRAME FOR PLASTER 2



701111 INSTALLATION FRAME ROUND



701112 ORBITAL INSTALLATION FRAME ROUND



Fixture	
	MINI TOMMY 1 TRIMLESS QRC51
	MINI TOMMY 1 TRIMLESS GU10
	MINI TOMMY 1 TRIMLESS HALOLED
	MINI TOMMY 1 TRIMLESS BEAUFORT
	MINI RASPUTIN QRC51
	MINI RASPUTIN GU10
	MINI RASPUTIN HALOLED
	MINI RASPUTIN BEAUFORT

Fixture	
	MINI TOMMY 2 TRIMLESS QRC51
	MINI TOMMY 2 TRIMLESS GU10
	MINI TOMMY 2 TRIMLESS HALOLED
	MINI TOMMY 2 TRIMLESS BEAUFORT
	MINI RASPUTIN QRC51
	MINI RASPUTIN GU10
	MINI RASPUTIN HALOLED
	MINI RASPUTIN BEAUFORT

Fixture	
	INTANA QRC51
	INTANA GU10
	INTANA BEAUFORT
	INTANA HALOLED

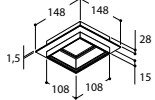
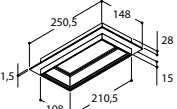
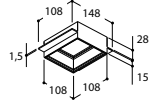
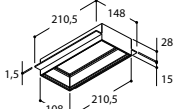
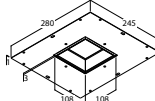
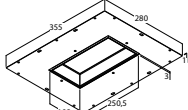
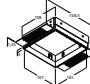
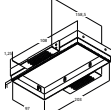
Fixture	
	ORBITAL FLOW CONTROL TRIMLESS
	ORBITAL FLOW CONTROL LOOK TRIMLESS
	ORBITAL THROUGH FLOW TRIMLESS
	ORBITAL THROUGH FLOW LOOK TRIMLESS
	ORBITAL LOUDSPEAKER TRIMLESS
	ORBITAL SMOKE DETECTOR TRIMLESS
	ORBITAL BASIC TRIMLESS FLOW CONTROL (VENTILATION VALVE)
	ORBITAL BASIC TRIMLESS THROUGH FLOW (VENTILATION VALVE)

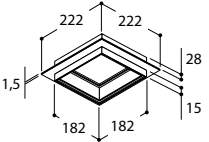
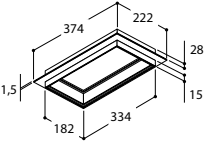
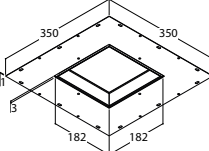
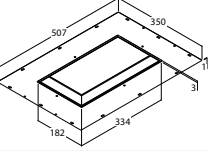
Can also be used with frame 702512 or frame 702212

Can also be used with frame 702522 or frame 702222

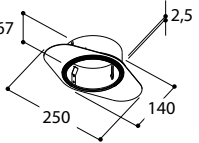
OVERVIEW INSTALLATION FRAMES FOR PLASTER FOR TRIMLESS DOWNLIGHTS

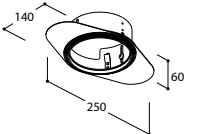
technical info

Frame nr	Frame type	Recessed dimensions	Recessed depth	Compatible fixtures
720199	 MINI TOMMY 1 TRIMLESS FRAME	112x112mm	135 130	MINI TOMMY 1 TRIMLESS MINI RASPUTIN 1
720299	 MINI TOMMY 2 TRIMLESS FRAME	213x112mm	135 130	MINI TOMMY 2 TRIMLESS MINI RASPUTIN 2
702512	 MINI TOMMY 1 TRIMLESS FRAME H60	112x112mm	60	MINI TOMMY 1 BEAUFORT TRIMLESS
702522	 MINI TOMMY 2 TRIMLESS FRAME H60	213x112mm	60	MINI TOMMY 2 BEAUFORT TRIMLESS
702212	 MINI TOMMY TRIMLESS 1 FRAME FOR PLASTERED CONCRETE 3mm	⌀220mm	60 135 130	MINI TOMMY 1 BEAUFORT TRIMLESS MINI TOMMY 1 TRIMLESS MINI RASPUTIN 1
702222	 MINI TOMMY TRIMLESS 2 FRAME FOR PLASTERED CONCRETE 3mm	2x ⌀220mm 100mm between centers	60 135 130	MINI TOMMY 2 BEAUFORT TRIMLESS MINI TOMMY 2 TRIMLESS MINI RASPUTIN 2
409199	 MINI PROJEXXAR 1 FRAME FOR PLASTER	110x110mm	60	MINI PROJEXXAR 1 BEAUFORT
409299	 MINI PROJEXXAR 2 FRAME FOR PLASTER	215x110mm	60	MINI PROJEXXAR 2 BEAUFORT

Frame nr	Frame type	Recessed dimensions	Recessed depth	Compatible fixtures
700109 	TOMMY 1 TRIMLESS FRAME	185x185mm	120	TOMMY 1 TRIMLESS
			140	RASPUTIN 1
			114	TOMMY 1*
700209 	TOMMY 2 TRIMLESS FRAME	337x185mm	120	TOMMY 2 TRIMLESS
			140	RASPUTIN 2
			114	TOMMY 2*
702012 	TOMMY TRIMLESS 1 FRAME FOR PLASTERED CONCRETE 3mm	∅316mm	120	TOMMY 1 TRIMLESS
			140	RASPUTIN 1
			114	TOMMY 1*
702022 	TOMMY TRIMLESS 2 FRAME FOR PLASTERED CONCRETE 3mm	2x ∅316mm 158mm between centers	120	TOMMY 2 TRIMLESS
			140	RASPUTIN 2
			114	TOMMY 2*

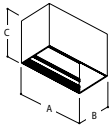
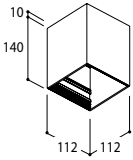
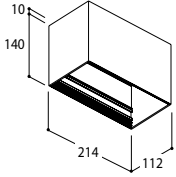




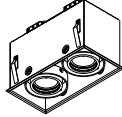
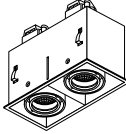
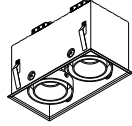
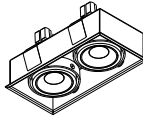
* FOR USE IN COMBINATION WITH CONBOX FOR VISIBLE CONCRETE CEILING

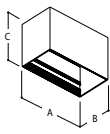
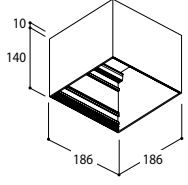
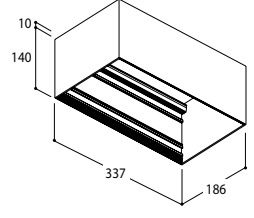

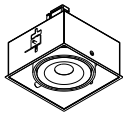
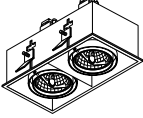
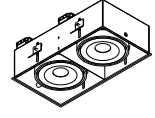
Frame nr	Frame type	Recessed dimensions	Recessed depth	Compatible fixtures
701111 	INTANA INSTALLATION FRAME ROUND	dia 140mm	130	INTANA QR-C51
			130	INTANA GU10
			130	INTANA BEAUFORT
			130	INTANA HALOLED

Frame nr	Frame type	Recessed dimensions	Recessed depth	Compatible fixtures
701112 	ORBITAL INSTALLATION FRAME ROUND	dia 140mm	180	ORBITAL FLOW CONTROL TRIMLESS
			130	ORBITAL FLOW CONTROL LOOK TRIMLESS
			180	ORBITAL THROUGH FLOW TRIMLESS
			130	ORBITAL THROUGH FLOW LOOK TRIMLESS
			130	ORBITAL LOUDSPEAKER TRIMLESS
			130	ORBITAL SMOKE DETECTOR TRIMLESS
			180	ORBITAL BASIC FLOW CONTROL (VENTILATION VALVE)
			180	ORBITAL BASIC THROUGH FLOW (VENTILATION VALVE)

OVERVIEW SURFACE KITS SMALL

technical info

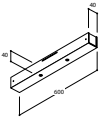

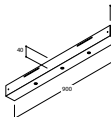

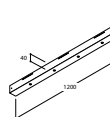

	Small 1				Small 2			
DIMENSIONS (AxBxC):	112x112x150				214x112x150			
								
	TI 50VA	230V	CI 700 mA 12W	CI 180 mA 6,6W	TI 100VA	230V	CI 700 mA 24W	CI 180 mA 13,2W
TEXT. WHITE	790118	791118	793118	793128	790218	791218	793218	793228
TEXT. BLACK	790126	791126	793126	793136	790226	791226	793226	793236
COMPATIBLE FIXTURES:	MINI TOMMY 1 TRIMLESS QR-C51	MINI TOMMY 1 TRIMLESS GU10	MINI TOMMY 1 TRIMLESS HALOLED	MINI TOMMY 1 BEAUFORT	MINI TOMMY 2 TRIMLESS QRC51	MINI TOMMY 2 TRIMLESS GU10	MINI TOMMY 2 TRIMLESS HALOLED	MINI TOMMY 2 BEAUFORT
								
	website	website	P. 73	P. 70	website	website	P. 73	P. 70

	Large 1			Large 2		
DIMENSIONS AxBxC:	186x186x150			337x186x150		
						
	TI 50VA	230V	CI 500 mA 18W	TI 100VA	230V	CI 500 mA 36W
TEXT. WHITE	792118			792218		
TEXT. BLACK	792126			792226		
COMPATIBLE FIXTURES:	TOMMY 1 TRIMLESS QR111  website		TOMMY 1 BEAUFORT 2  P. 74	TOMMY 2 TRIMLESS QR111  website		TOMMY 2 BEAUFORT 2  P. 74

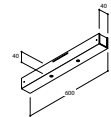

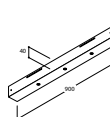
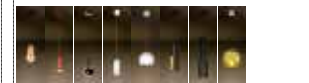
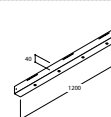

OVERVIEW M10 BASES

technical info

M10 BASE CI 350mA

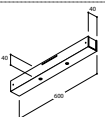

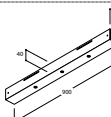

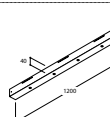

<p>M10 BASE DUO CI 350mA 600</p>  <p>MAX 8W 230V - AC output 350mA - DC</p> <p>CE, IP 20, 0.8</p> <p>Non dimmable Dimmable L.C</p> <p>TEXT. WHITE 378247 378248 TEXT. BLACK 378226 378227</p>  <p>Nobel elbow Nobel Junior Berrier Pi Nobel</p>	<p>M10 BASE TRIO CI 350mA 900</p>  <p>MAX 12W 230V - AC output 350mA - DC</p> <p>CE, IP 20, 1.2</p> <p>Non dimmable Dimmable L.C</p> <p>TEXT. WHITE 378347 378348 TEXT. BLACK 378326 378327</p>  <p>Nobel elbow Nobel Junior Berrier Pi Nobel</p>	<p>M10 BASE QUATTRO CI 350mA 1200</p>  <p>MAX 16W 230V - AC output 350mA - DC</p> <p>CE, IP 20, 1.6</p> <p>Non dimmable Dimmable L.C</p> <p>TEXT. WHITE 378447 378448 TEXT. BLACK 378426 378427</p>  <p>Nobel elbow Nobel Junior Berrier Pi Nobel</p>
--	--	---

M10 BASE 230V

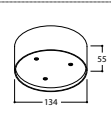

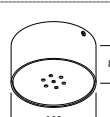

<p>M10 BASE DUO 230V 600</p>  <p>MAX 1000W 230V - AC</p> <p>CE, IP 20, 0.8</p> <p>TEXT. WHITE 375206 TEXT. BLACK 375206</p>  <p>Kalebas Nuts Winston Spinola Berrier Nelson Tele-scoop Olijj*</p>	<p>M10 BASE TRIO 230V 900</p>  <p>MAX 1000W 230V - AC</p> <p>CE, IP 20, 1.2</p> <p>TEXT. WHITE 375309 TEXT. BLACK 375306</p>  <p>Kalebas Nuts Winston Spinola Berrier Nelson Tele-scoop Olijj*</p>	<p>M10 BASE QUATTRO 230V 1200</p>  <p>MAX 1000W 230V - AC</p> <p>CE, IP 20, 1.6</p> <p>TEXT. WHITE 375412 TEXT. BLACK 375408</p>  <p>Kalebas Nuts Winston Spinola Berrier Nelson Tele-scoop Olijj*</p>
--	---	---

*Olijj must be positioned on several heights to avoid glass contact

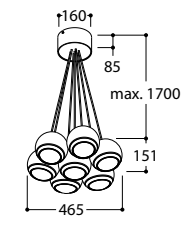
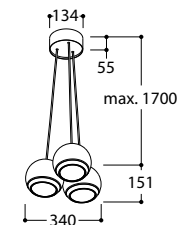
M10 BASE CI 700mA

<p>M10 BASE DUO CI 700mA 600</p>  <p>MAX 16W 230V - AC output 700mA - DC</p> <p>CE, IP 20, 0.8</p> <p>Non dimmable Dimmable L.C</p> <p>TEXT. WHITE 379247 379248 TEXT. BLACK 379226 379227</p>  <p>Funnel Spina Spinola elbow</p>	<p>M10 BASE TRIO CI 700mA 900</p>  <p>MAX 24W 230V - AC output 700mA - DC</p> <p>CE, IP 20, 1.2</p> <p>Non dimmable Dimmable L.C</p> <p>TEXT. WHITE 379347 379348 TEXT. BLACK 379326 379327</p>  <p>Funnel Spina Spinola elbow</p>	<p>M10 BASE QUATTRO CI 700mA 1200</p>  <p>MAX 32W 230V - AC output 700mA - DC</p> <p>CE, IP 20, 1.6</p> <p>Non dimmable Dimmable L.C</p> <p>TEXT. WHITE 379447 379448 TEXT. BLACK 379426 379427</p>  <p>Funnel Spina Spinola elbow</p>
--	---	--

M10 BASE ROUND 230V

<p>M10 BASE ROUND 3 230V</p>  <p>MAX 1000W 230V - AC</p> <p>CE, IP 20, 0.8</p> <p>TEXT. WHITE 411927 TEXT. BLACK 411926</p>  <p>Kalebas Nuts Winston Spinola Berrier Nelson Tele-scoop Olijj*</p>	<p>M10 BASE ROUND 7 230V</p>  <p>MAX 1000W 230V - AC</p> <p>CE, IP 20, 1.2</p> <p>TEXT. WHITE 411977 TEXT. BLACK 411976</p>  <p>Kalebas Nuts Winston Spinola Berrier Nelson Tele-scoop Olijj*</p>
--	--

*Olijj must be positioned on several heights to avoid glass contact



KOSMOS BASE M10



M10 BASE KOSMOS

350mA DC / 500mA DC / 700mA DC / ... / 230V - AC
Max. luminaires weight: 0.5kg
Can be used as access point for converter!

54 mm
Installation height 60 mm

CE IP 20

TEXT. BLACK	408426
TEXT. WHITE	408447
TEXT. RED	408434

Nobel Junior Berrier Junior Nobel Junior Kalebas Nuts Spinoła

CONVERTER p.554 CONVERTER p.555 CONVERTER p.560

M10 CLUSTERPLATES 230V

M10 CLUSTERPLATE 7 230V

MAX 1000W 230V - AC
Max.1700

400 50 390

CE IP 20

CLUSTERPLATE 7 - TEXT. WHITE	492977
CLUSTERPLATE 7 - TEXT. BLACK	492976

Kalebas Nuts Winston Spinoła Berrier Nelson Telescoop Olij*

*Olij must be positioned on several heights to avoid glass contact

M10 CLUSTERPLATE 11 230V

MAX 1000W 230V - AC
Max.1700

600 50 390

CE IP 20

CLUSTERPLATE 11 - TEXT. WHITE	492917
CLUSTERPLATE 11 - TEXT. BLACK	492916

Kalebas Nuts Winston Spinoła Berrier Nelson Telescoop Olij*

*Olij must be positioned on several heights to avoid glass contact

M10 CLUSTERPLATE 15 230V

MAX 1000W 230V - AC
Max.1700

700 50 390

CE IP 20

CLUSTERPLATE 15 - TEXT. WHITE	492957
CLUSTERPLATE 15 - TEXT. BLACK	492956

Kalebas Nuts Winston Spinoła Berrier Nelson Telescoop Olij*

*Olij must be positioned on several heights to avoid glass contact

M10 BASE

M10 BASE RECESSED SMALL

350mA DC / 500mA DC / 700mA DC / ... / 230V - AC

21 7 45

20 mm
Installation height 50 mm

CE IP 20

TEXT. BLACK	408826
TEXT. WHITE	408847
TEXT. RED	408834
CHROME	408820

Nobel Junior Berrier Junior Nobel Junior Kalebas Nuts Nobel Junior

CONVERTER p.554 CONVERTER p.555 CONVERTER p.560

M10 BASE RECESSED LARGE

350mA DC / 500mA DC / 700mA DC / ... / 230V - AC

7 80

42 mm
Installation height 50 mm

CE IP 20

TEXT. BLACK	408926
TEXT. WHITE	408947
TEXT. RED	408934
CHROME	408920

Nobel Junior Berrier Junior Nobel Junior Kalebas Nuts Spinoła Berrier Nelson Telescoop Funnel Spinoła elbow elbow

CONVERTER p.554 CONVERTER p.555 CONVERTER p.560

M10 BASE 3 LARGE 350mA CI

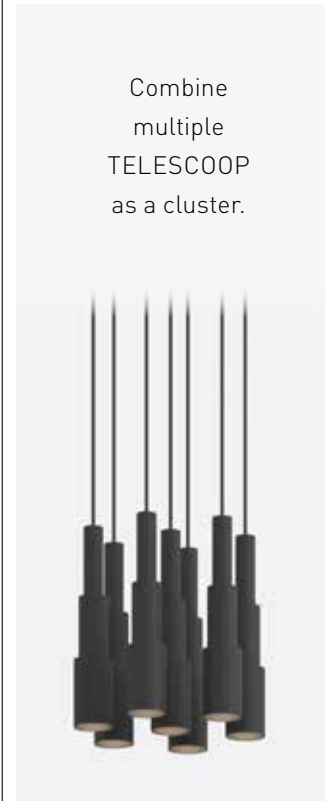
135 55

max. 18W 230V - AC
Output 350mA DC
For suspension only

CE IP 20

TEXT. BLACK	408726
TEXT. WHITE	408747

Nobel Junior Berrier Junior



INSTALLATION SCENARIOS

1U RECESSED IN PLASTERBOARD

technical info

1 CUT OUT PLASTERBOARD
40 x (X + 15) IF PROFILE < 10M
40 x (X + 20) IF PROFILE > 10M
INSTALLATION HEIGHT 50 MM

40 = width
X = length of profile
measured without endcaps

2 SCREW MOUNTING BRACKETS ON PLASTERBOARD
BRACKETS AVAILABLE FOR 9.5 - 12.5 - 15 - 18 MM
2 PCS PER METER

3 SLIDE THE PROFILE CAREFULLY INTO OPENING UNTILL IT SNAPS

4 FILL THE GAP AT BOTH ENDS WITH
PAINTABLE FLEXIBLE ACRYLIC PASTE.
THIS IS IMPORTANT TO ALLOW THERMAL EXPANSION !

FINISH THE OTHER GAPS AND SCREWHOLES
AND RUB DOWN WITH SANDPAPER.

5 RUB DOWN WITH SANDPAPER

6 PAINT THE SURFACE OF THE CEILING

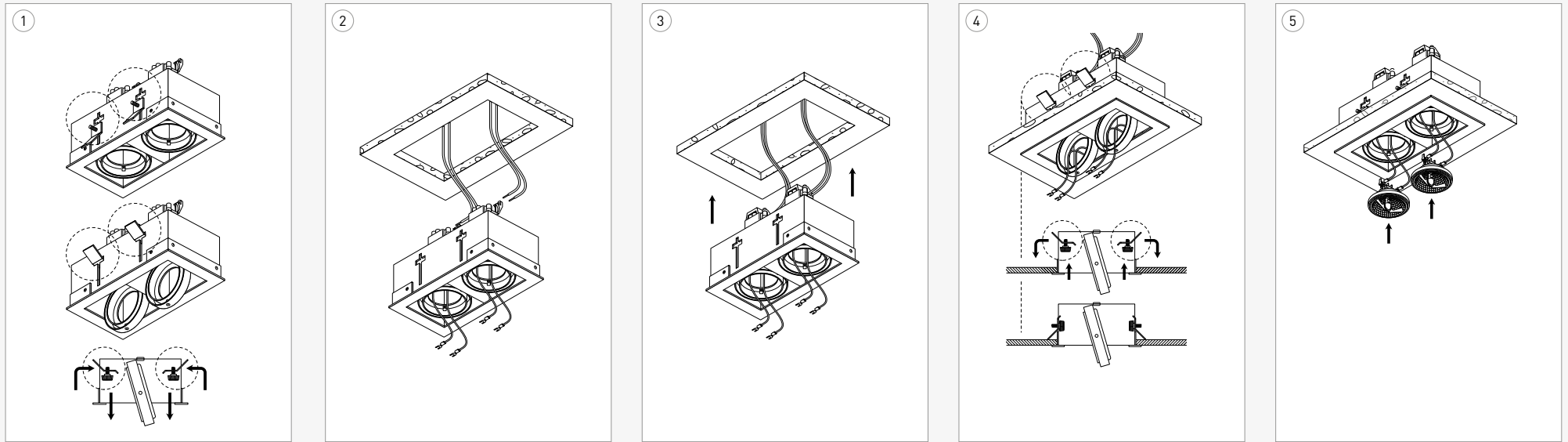
7 CONNECT POWER SUPPLY (24VDC) WITH PROFILE

INSERT THE 1U PROFILE

8 COMPLETE ASSEMBLY

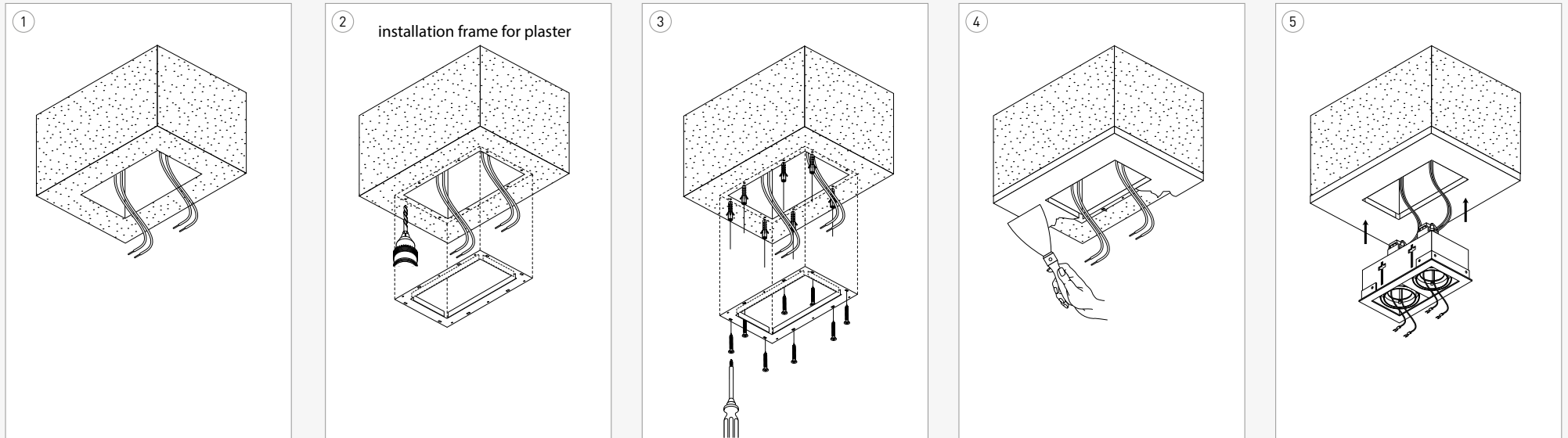
technical info

TOMMY IN PLASTERBOARD



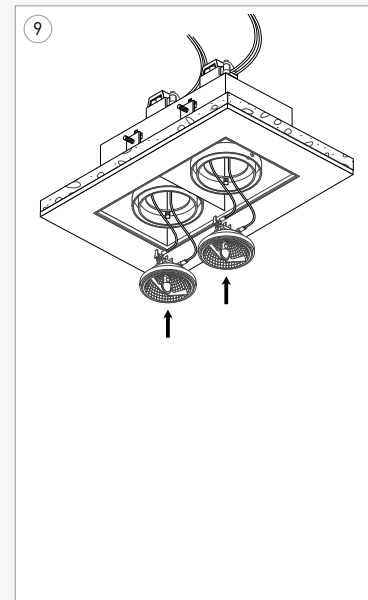
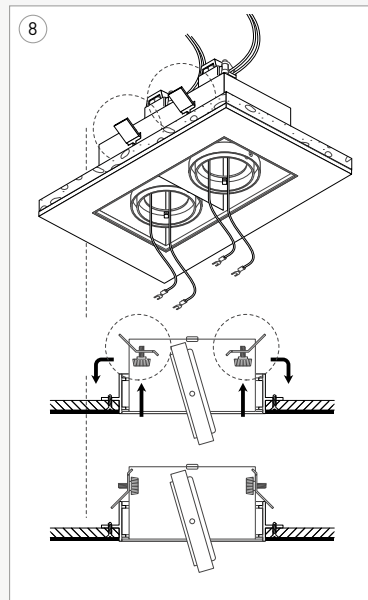
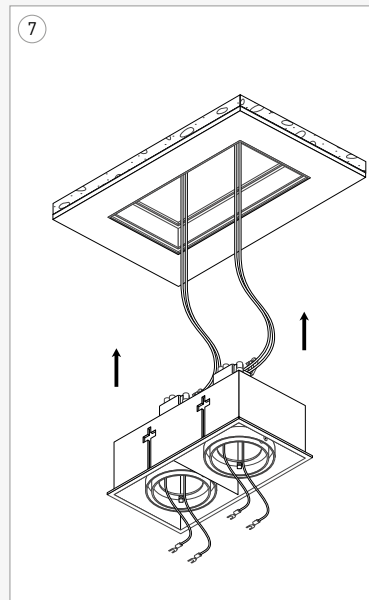
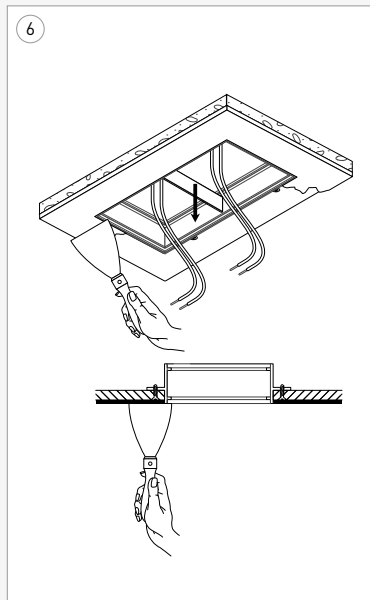
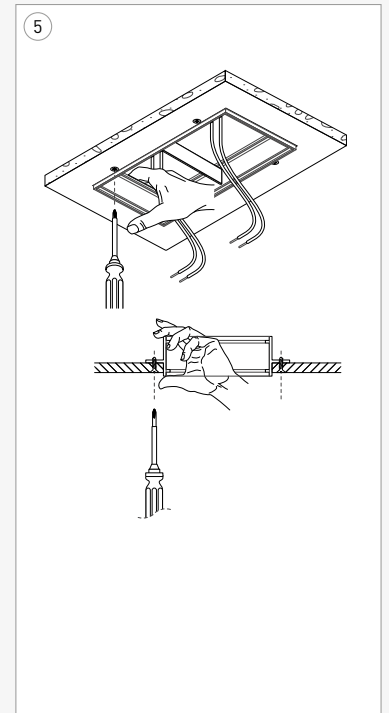
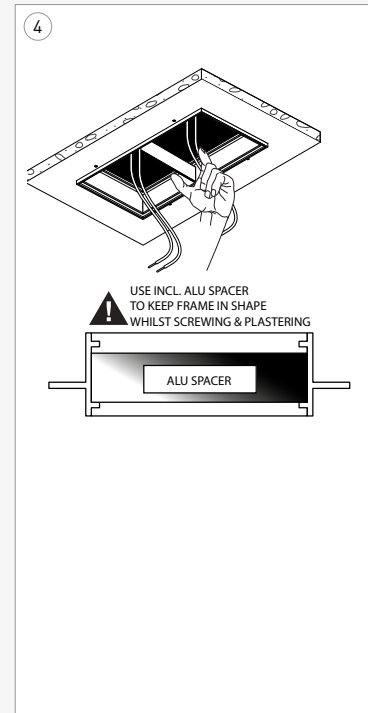
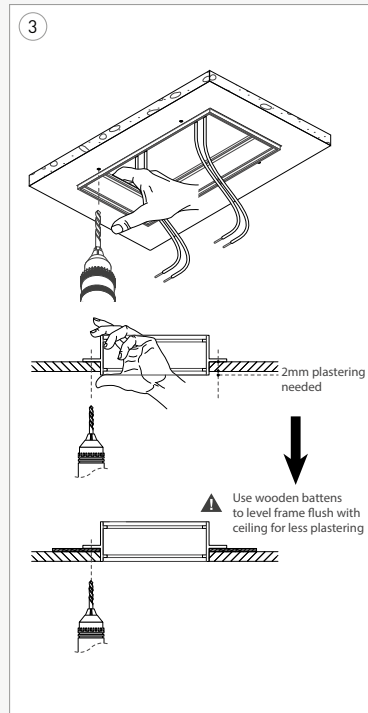
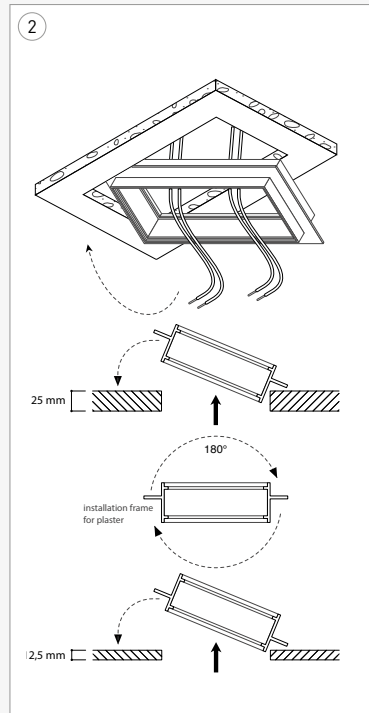
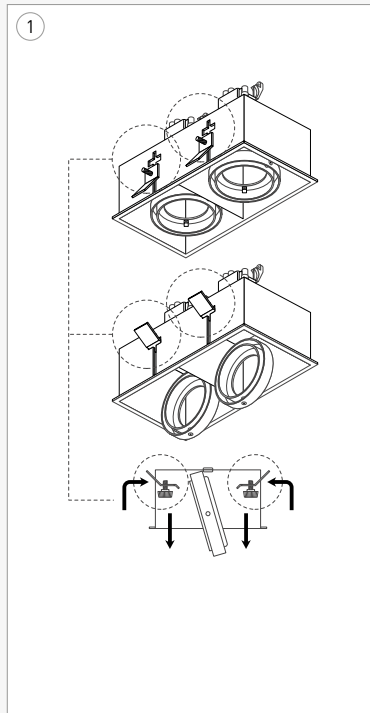
TOMMY IN PLASTERED CONCRETE / STALTON CEILING

Optional: installation frame for plaster (for strengthening the mounting hole or surface, or for already made holes)



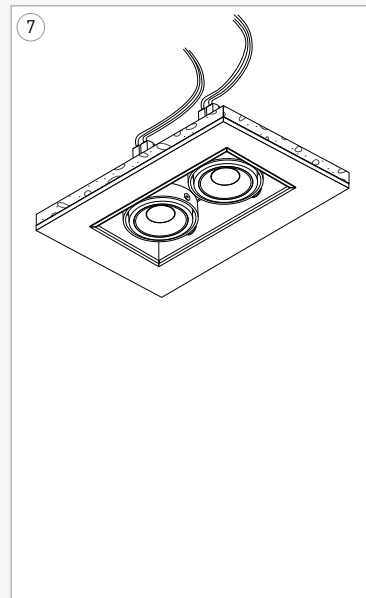
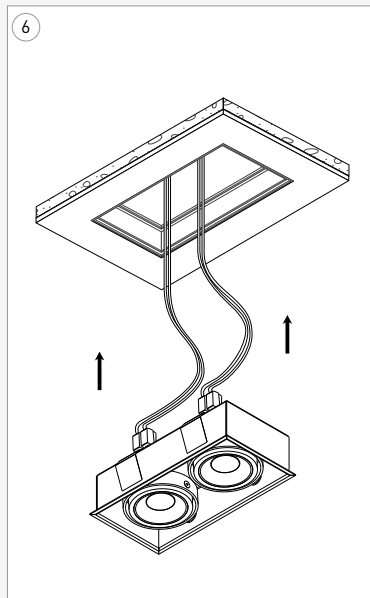
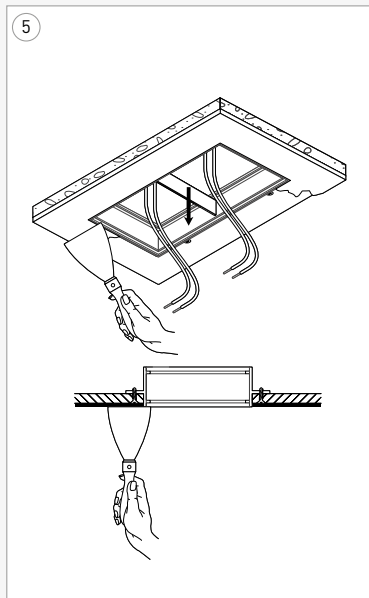
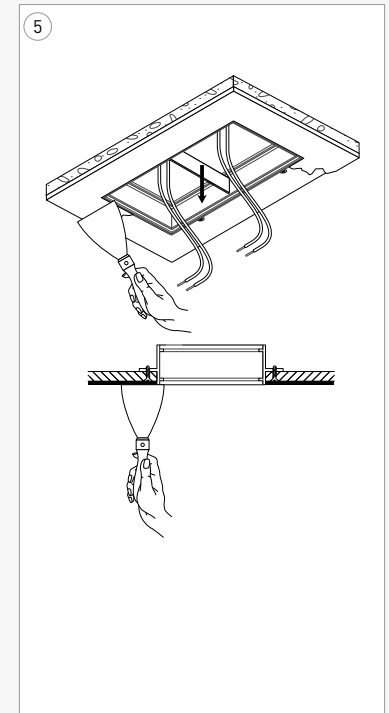
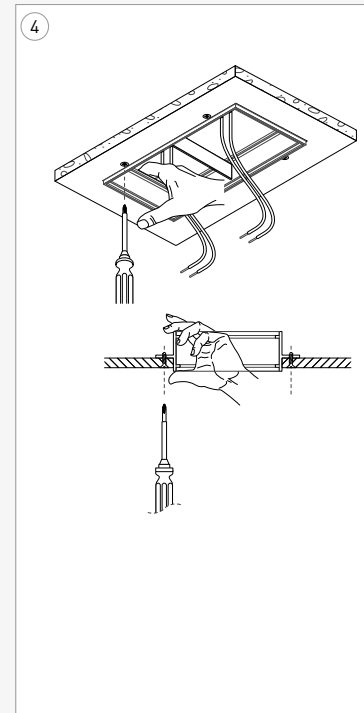
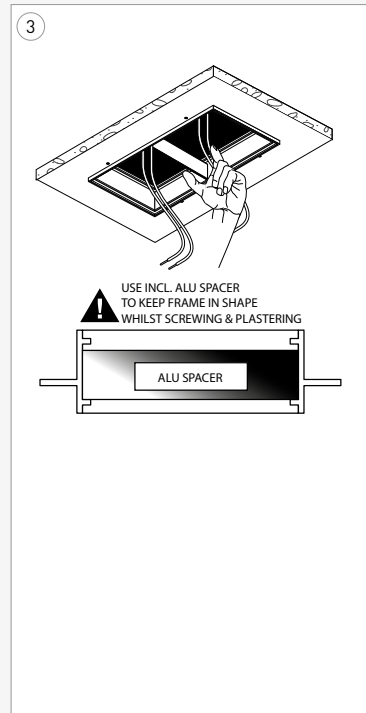
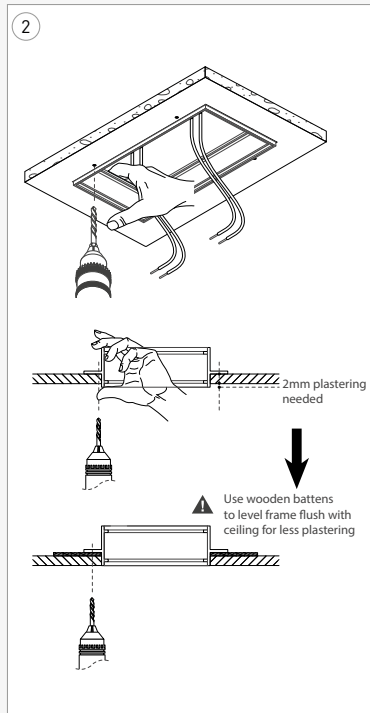
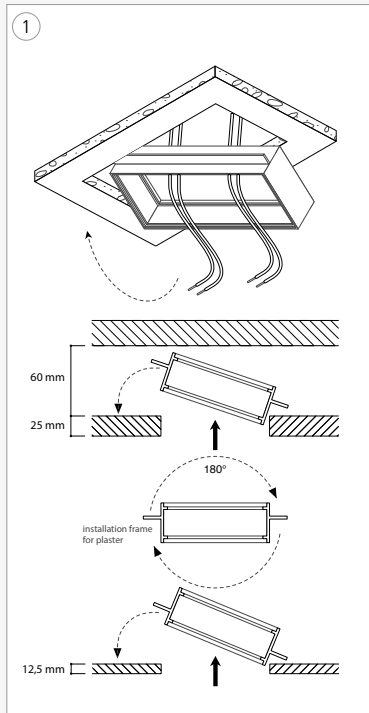
INSTALLATION SCENARIOS

TOMMY TRIMLESS IN PLASTERBOARD



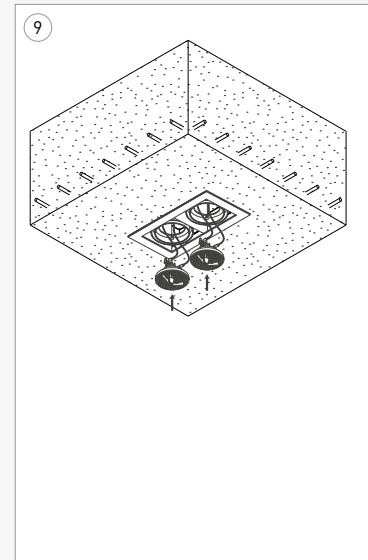
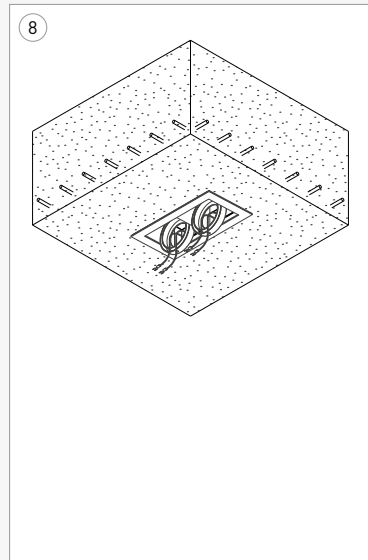
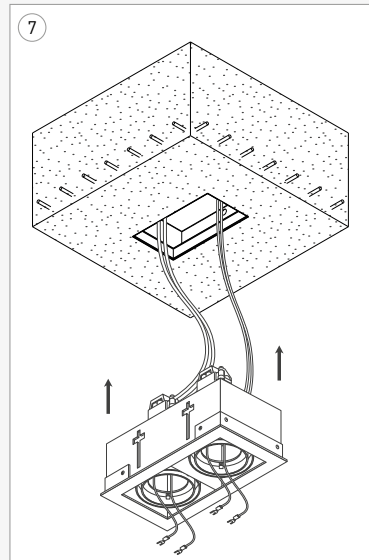
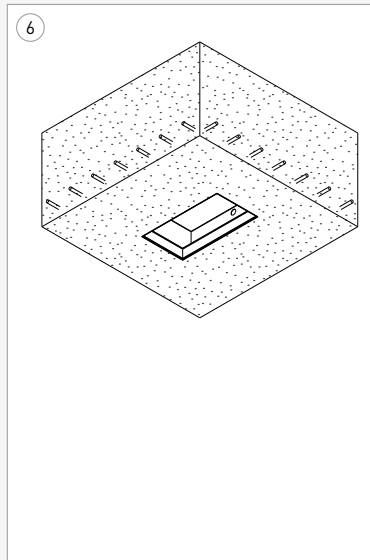
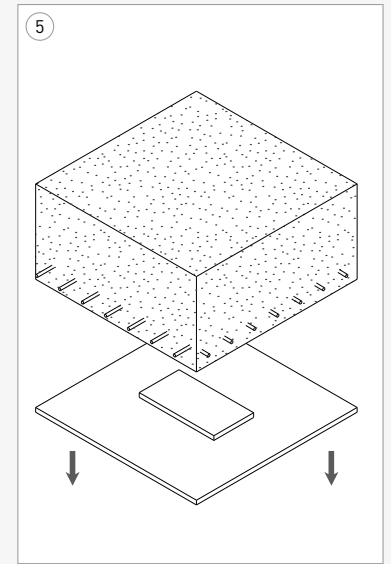
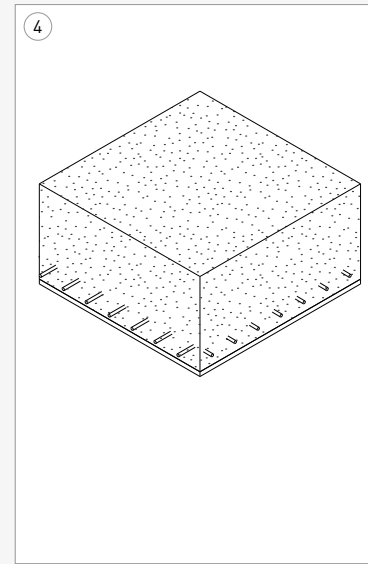
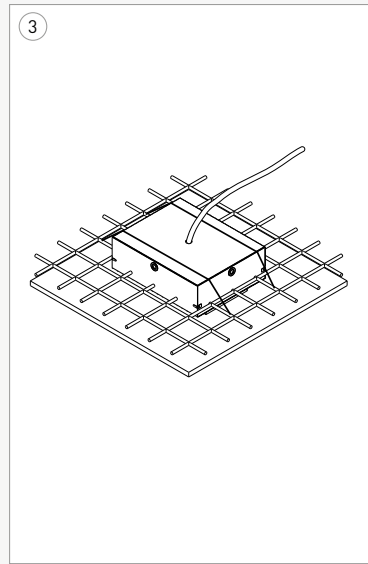
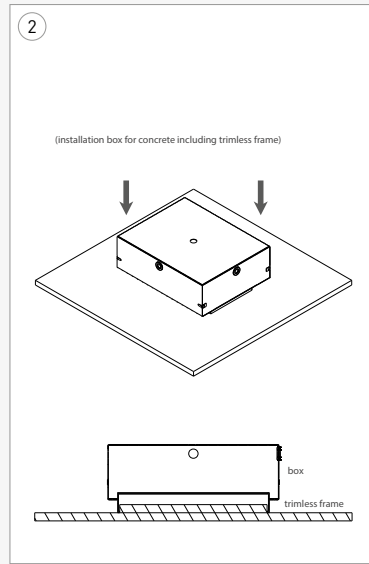
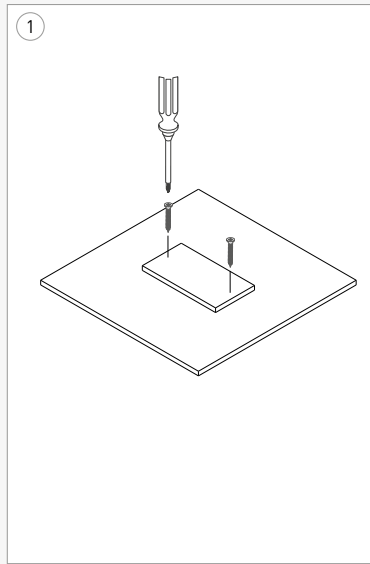
INSTALLATION SCENARIOS

MINI TOMMY TRIMLESS IN PLASTERBOARD WITH LIMITED INSTALLATION HEIGHT (<65MM)



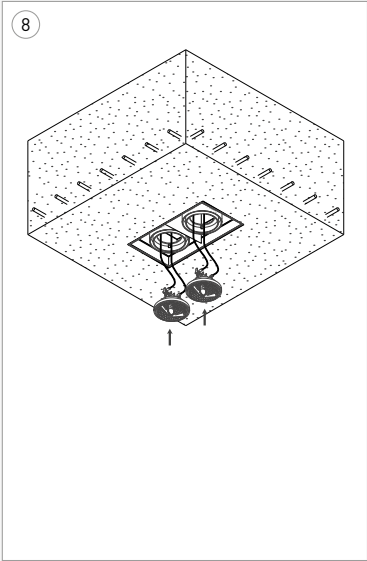
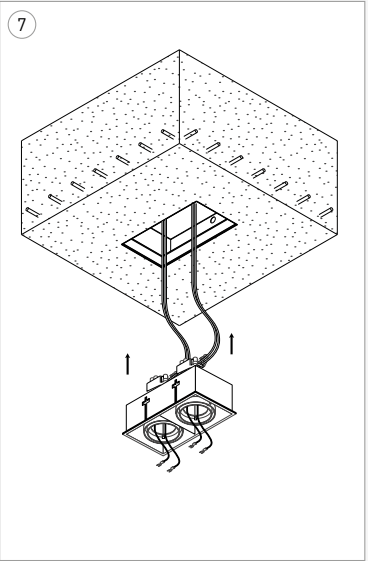
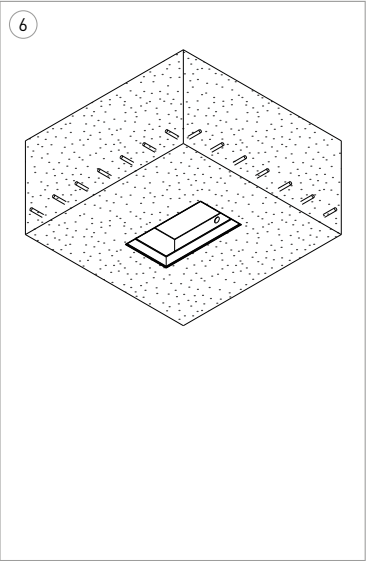
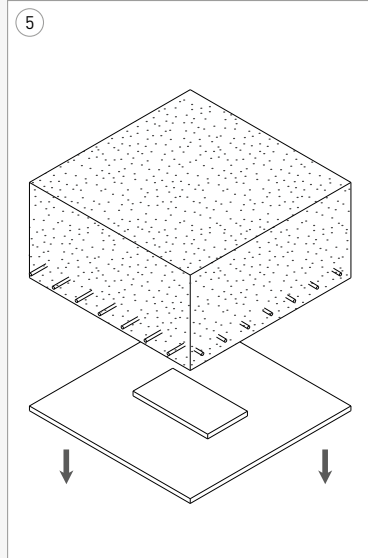
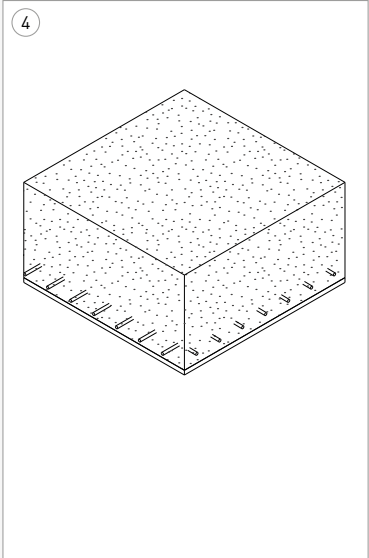
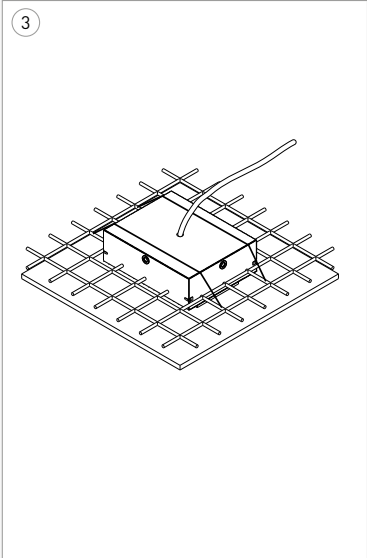
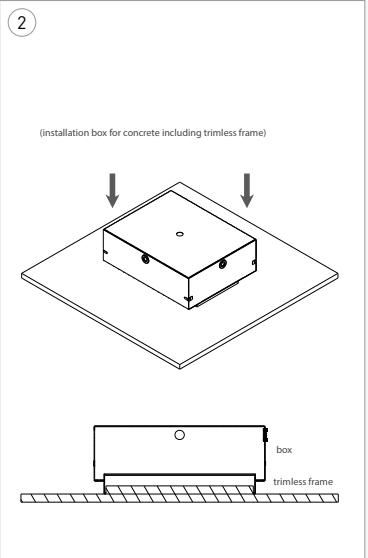
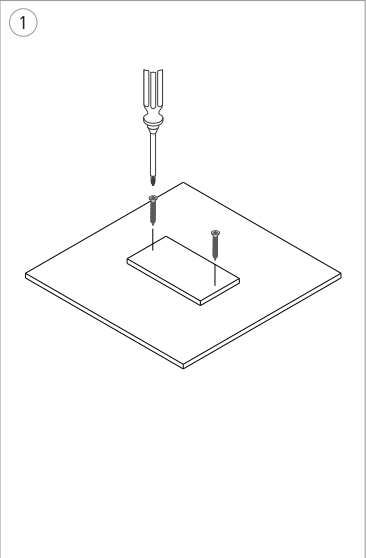
INSTALLATION SCENARIOS

TOMMY IN VISIBLE CONCRETE CEILING (ONLY FOR LARGE TOMMY 1/2/3)



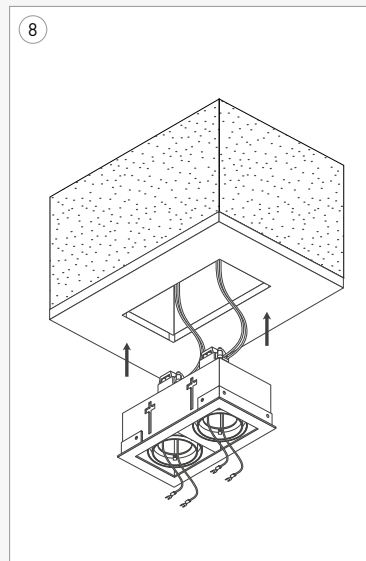
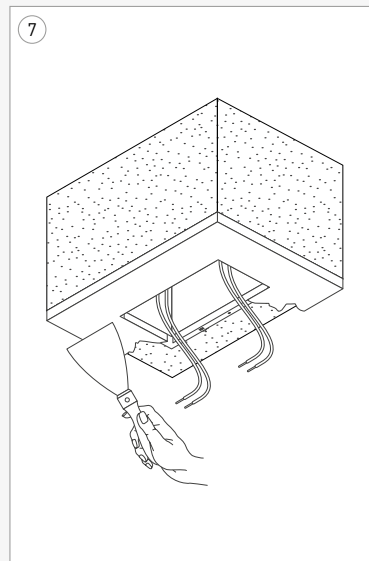
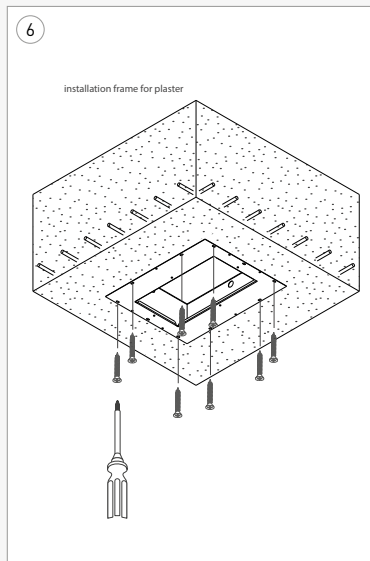
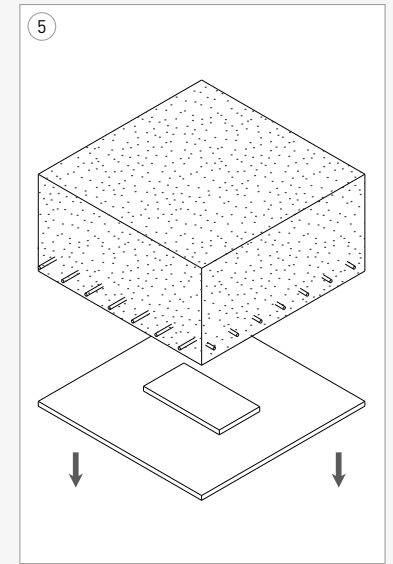
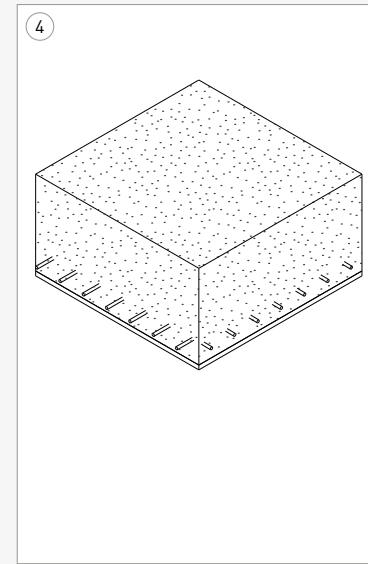
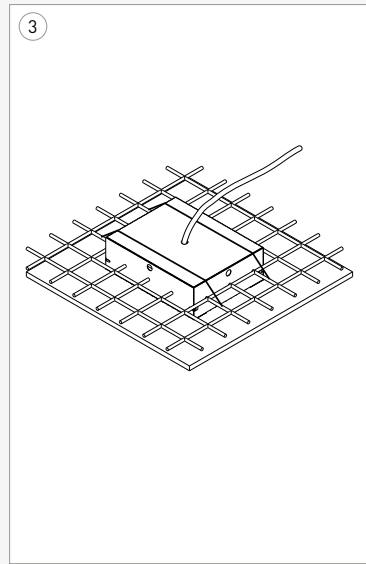
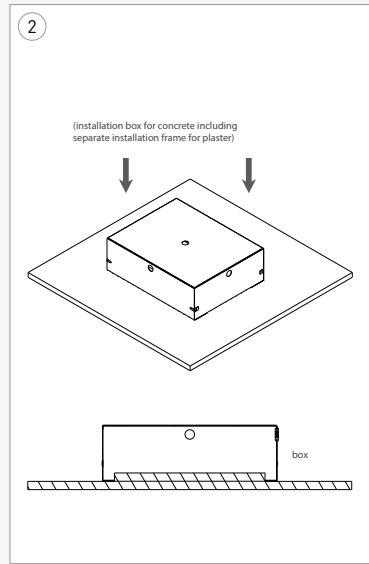
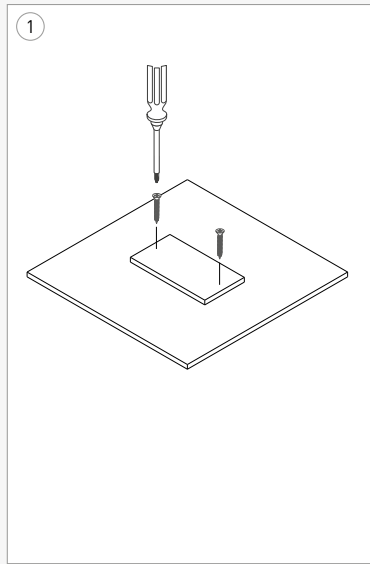
INSTALLATION SCENARIOS

TOMMY TRIMLESS IN VISIBLE CONCRETE CEILING



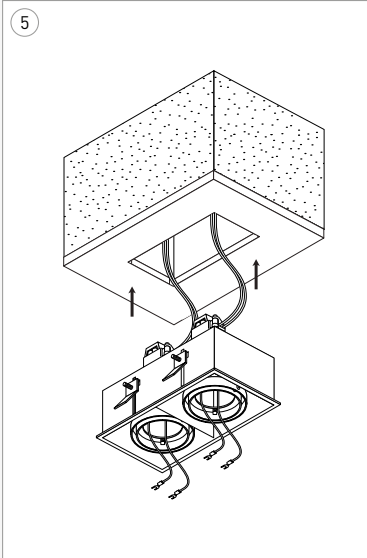
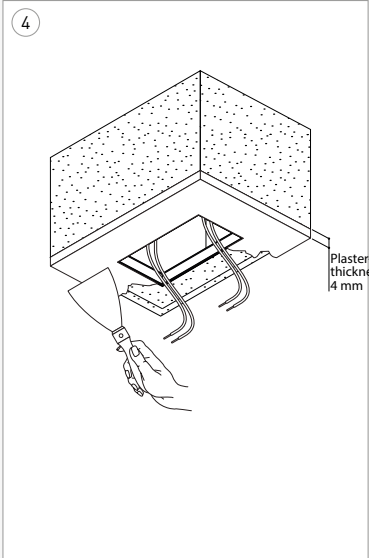
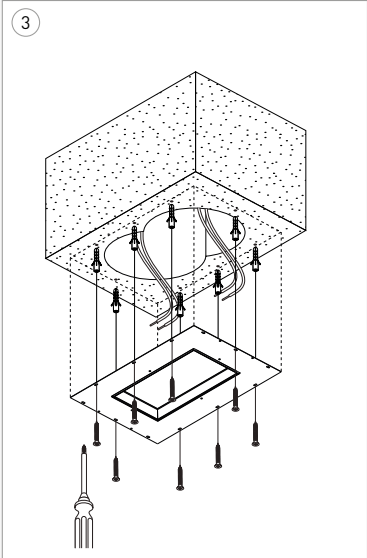
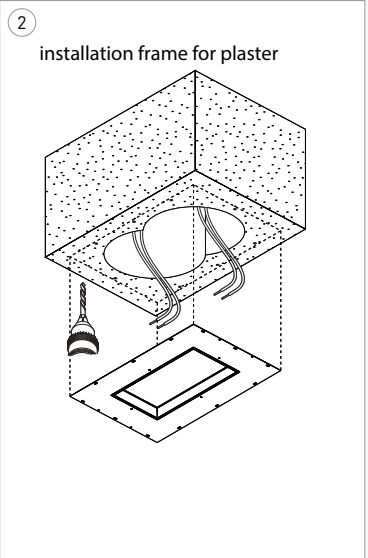
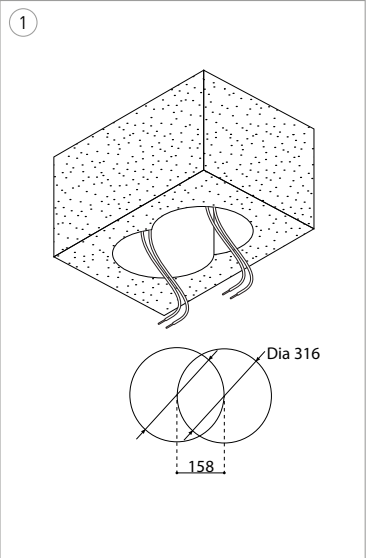
INSTALLATION SCENARIOS

TOMMY IN PLASTERED CONCRETE CEILING



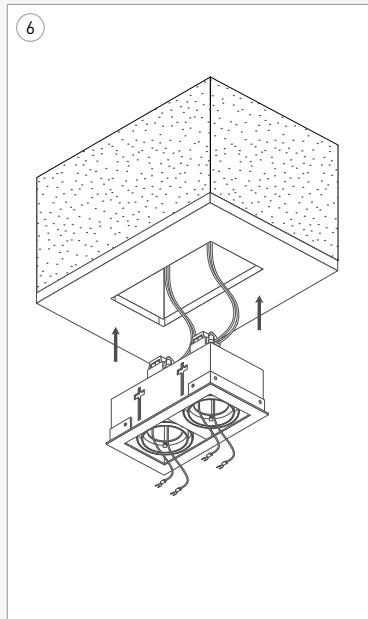
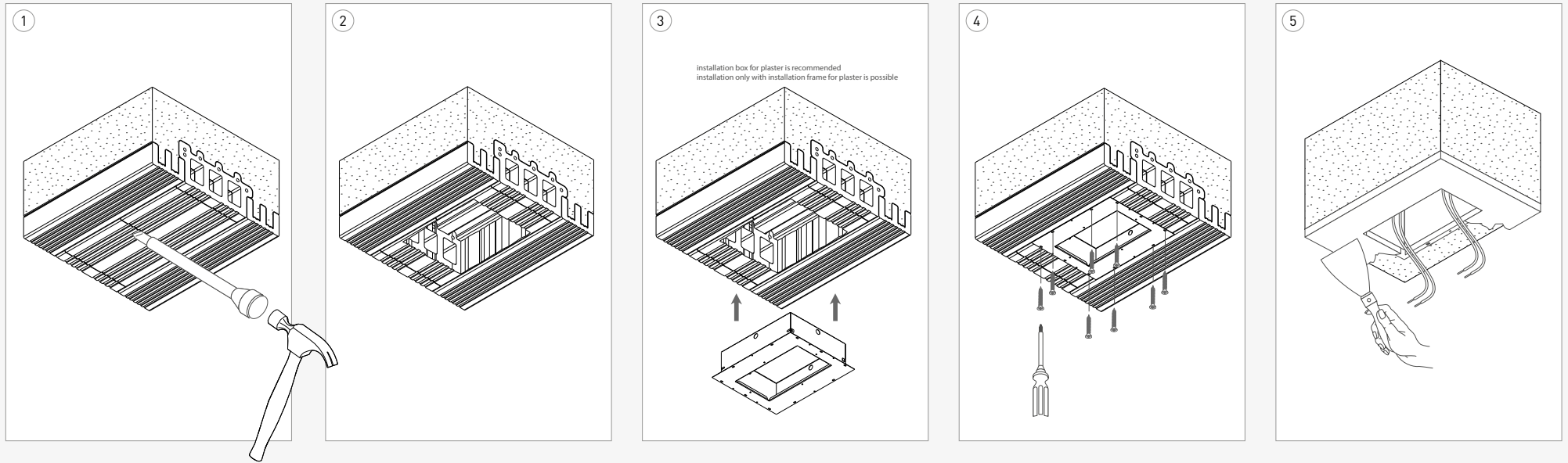
INSTALLATION SCENARIOS

TOMMY TRIMLESS IN PLASTERED CONCRETE CEILING (3MM)



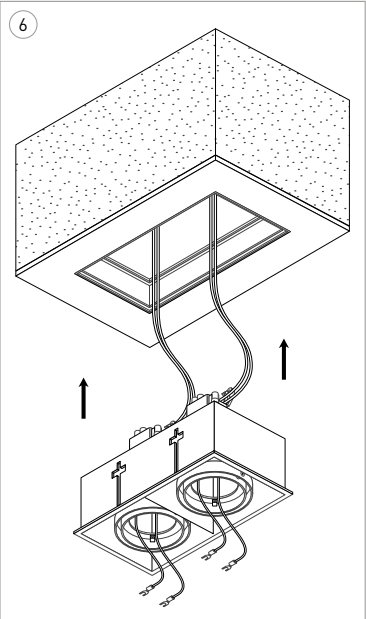
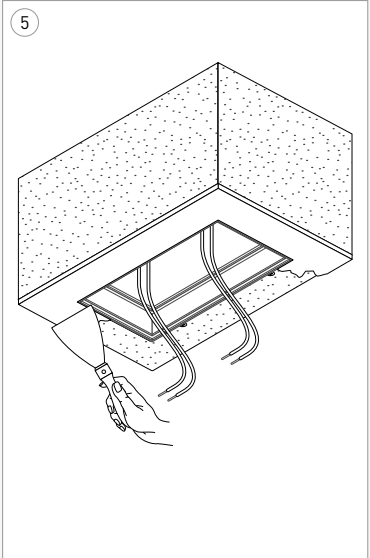
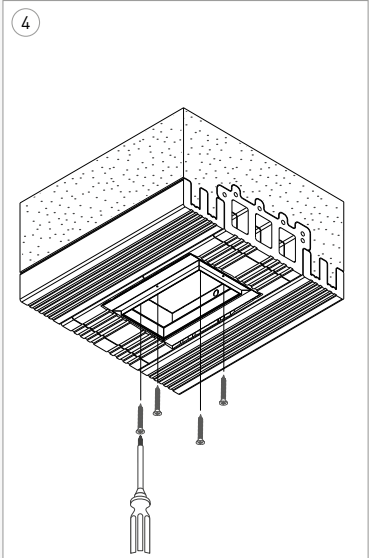
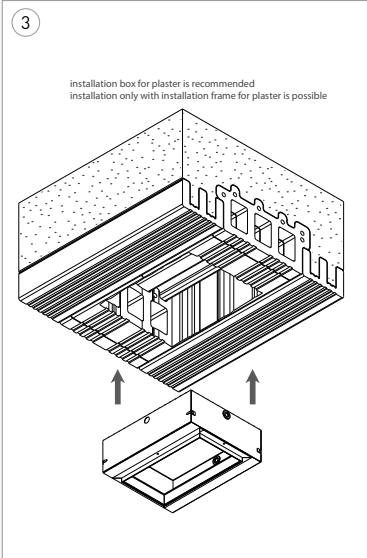
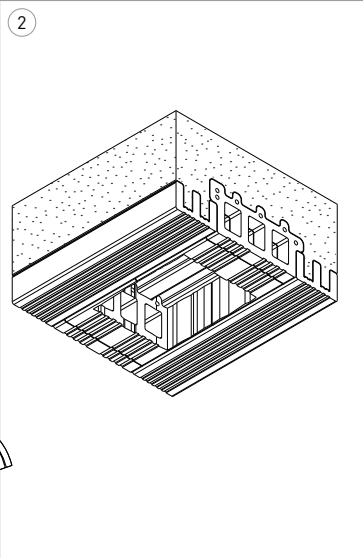
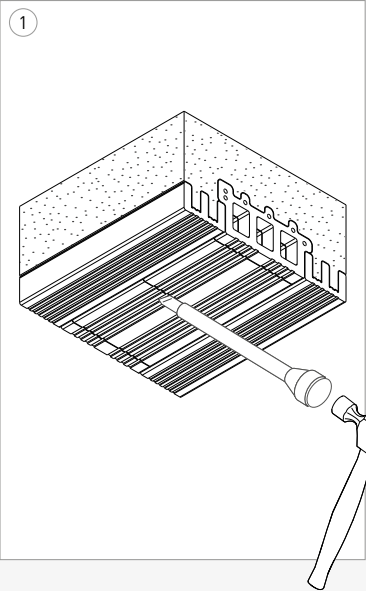
INSTALLATION SCENARIOS

TOMMY IN PLASTERED STALTON CEILING



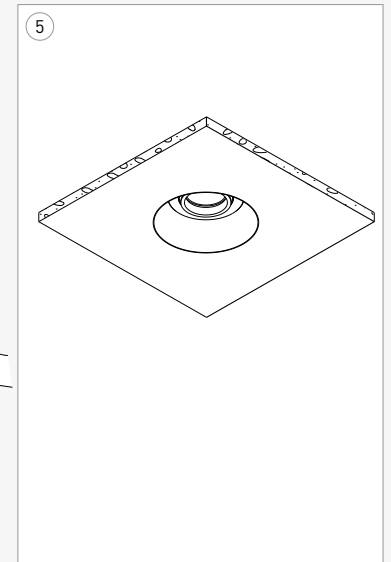
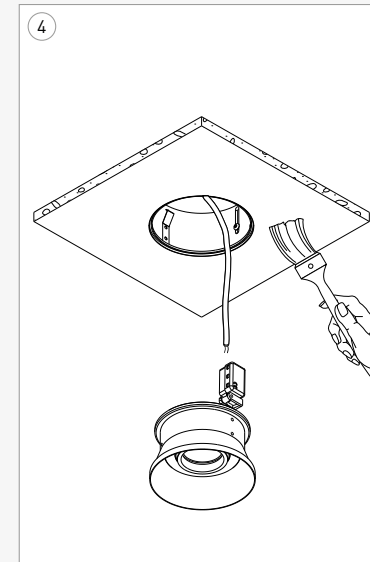
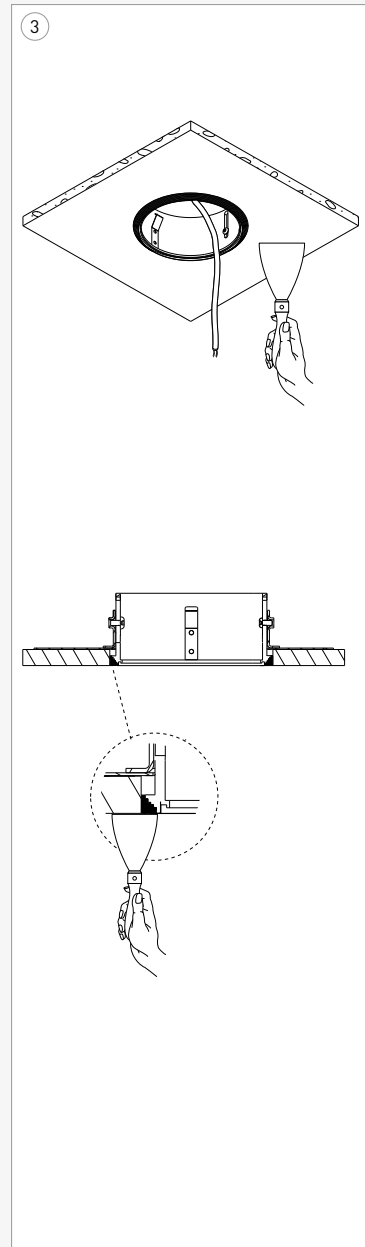
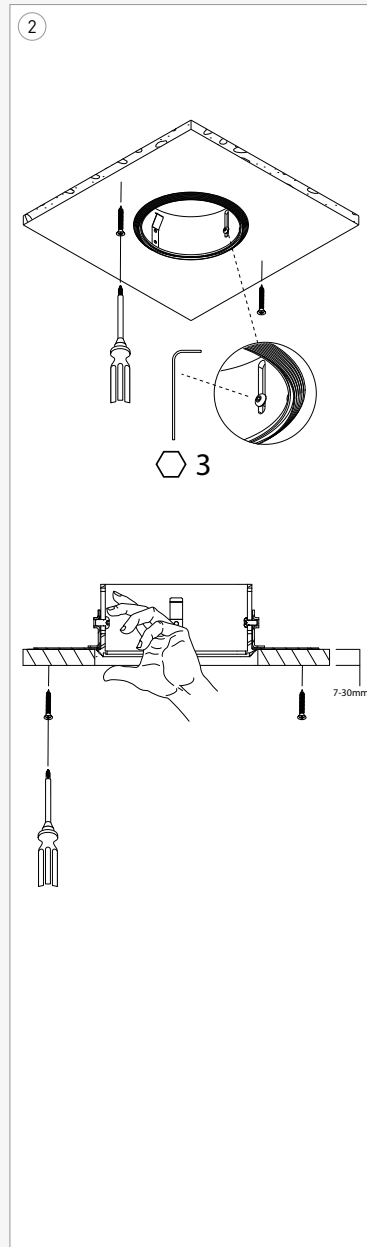
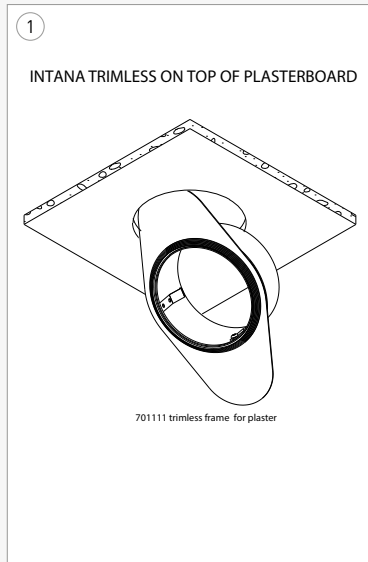
INSTALLATION SCENARIOS

TOMMY TRIMLESS IN PLASTERED STALTON CEILING

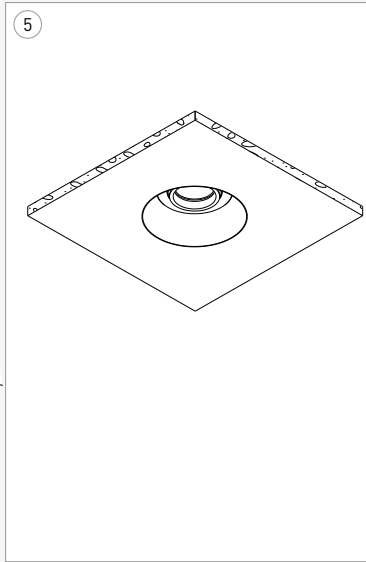
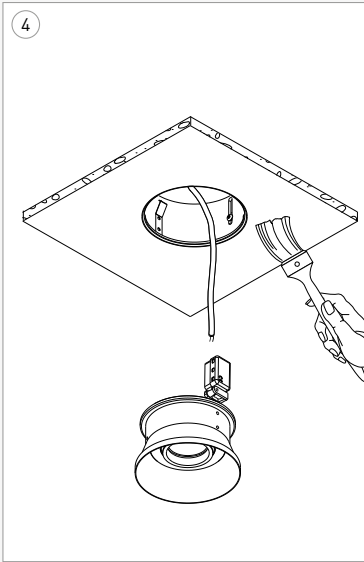
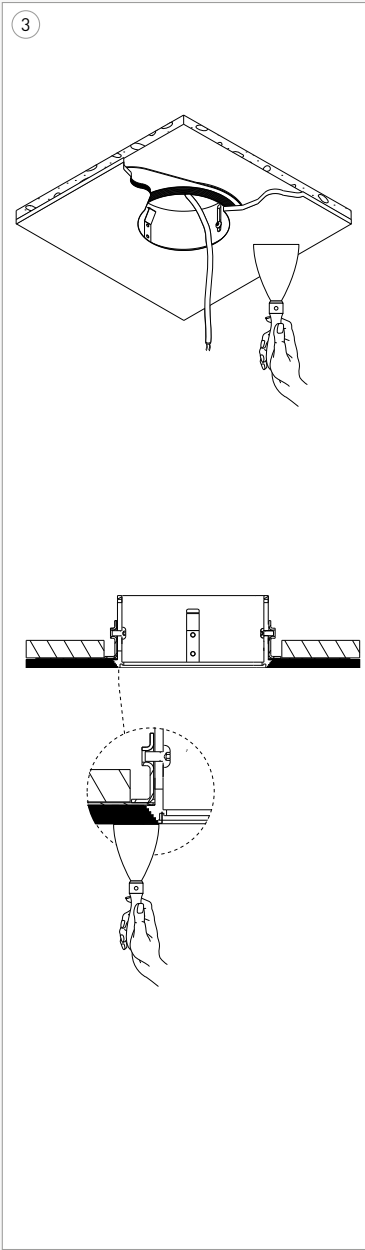
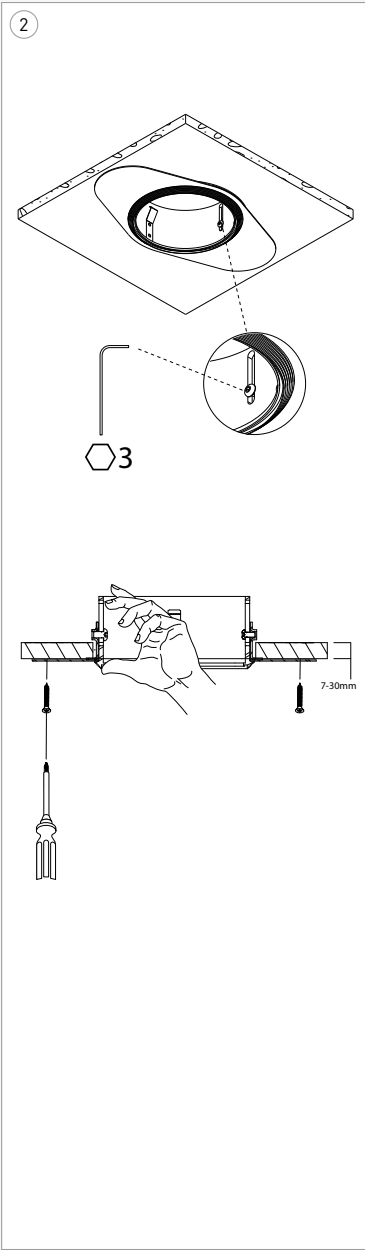
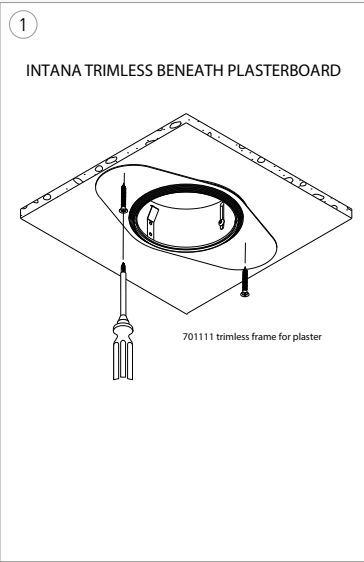


INSTALLATION SCENARIOS

INTANA/ORBITAL TRIMLESS IN PLASTERBOARD (HOLLOW CEILINGS)

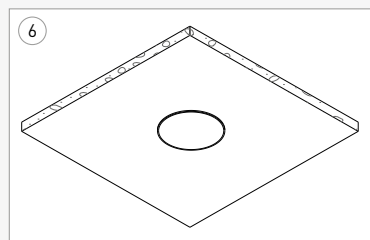
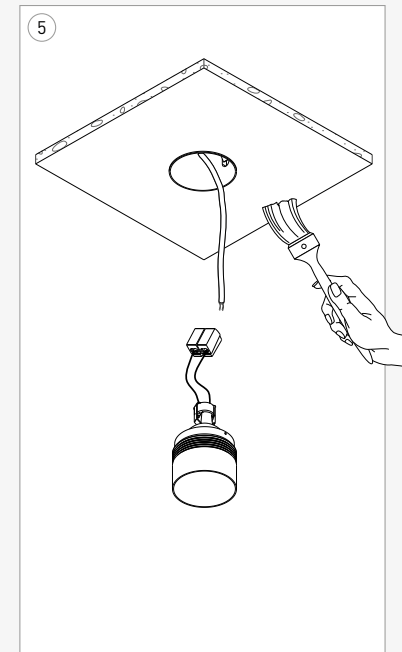
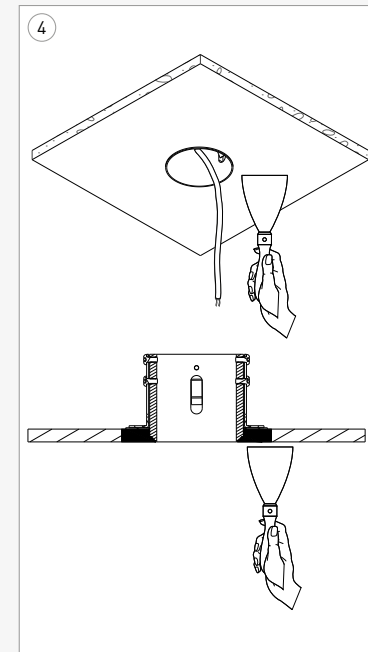
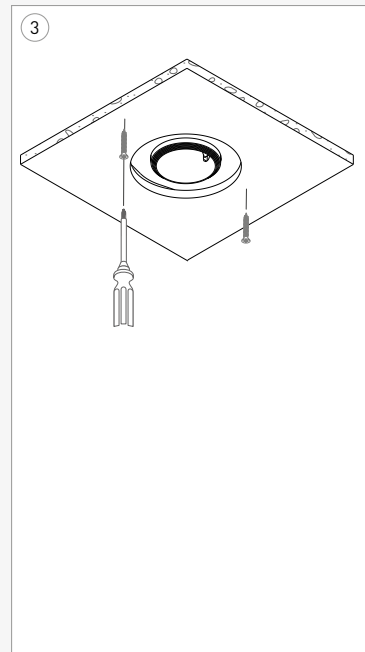
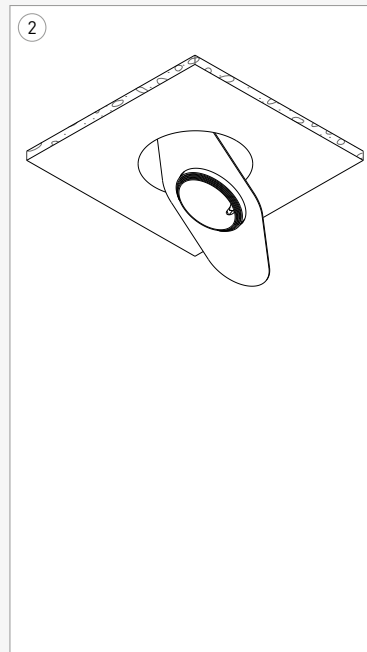
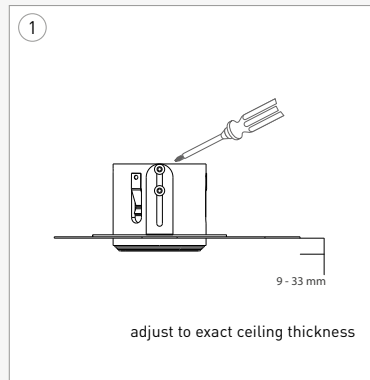


INTANA/ORBITAL TRIMLESS ON PLASTERBOARD (SOLID CEILINGS)

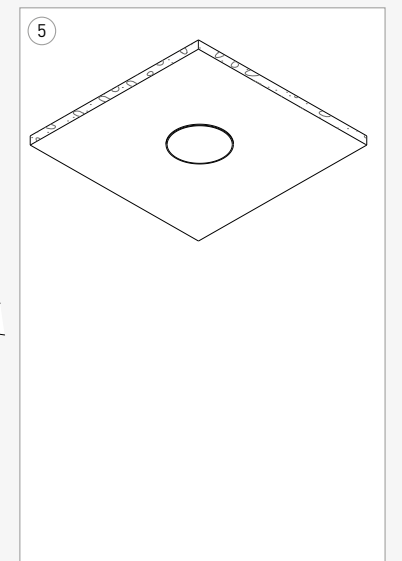
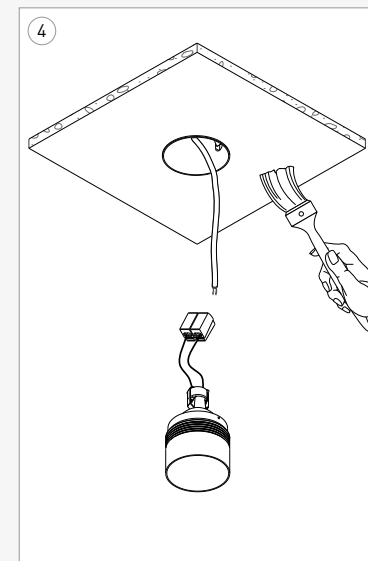
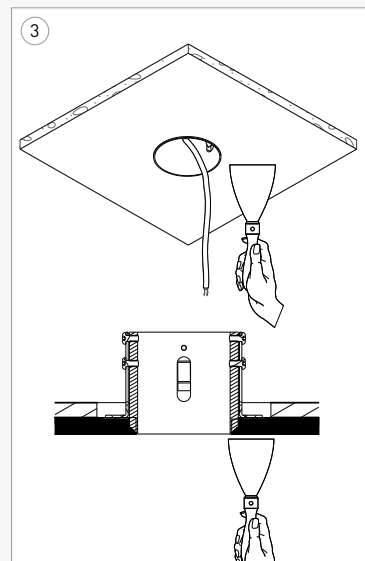
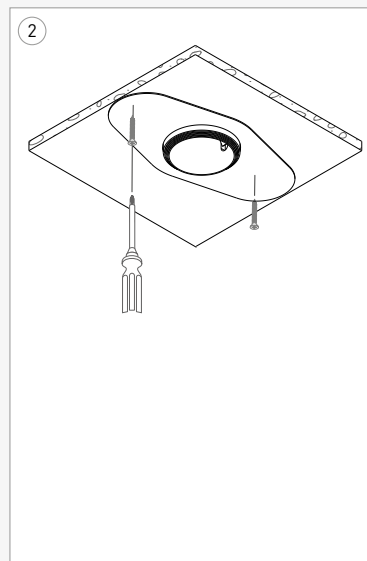
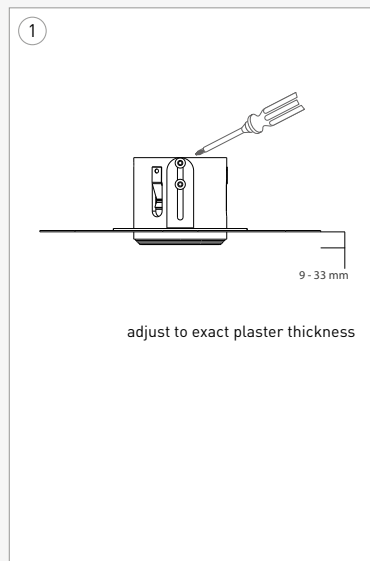


INSTALLATION SCENARIOS

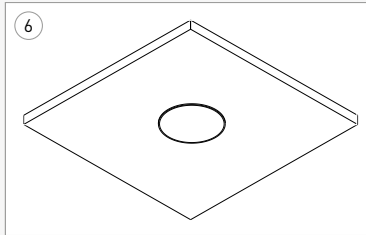
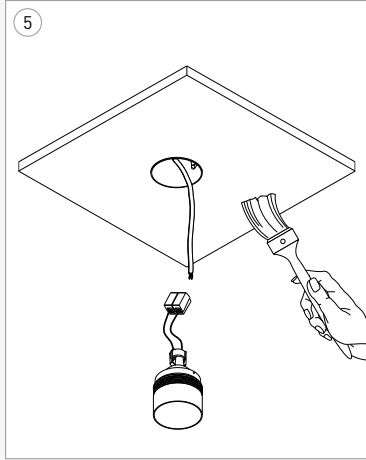
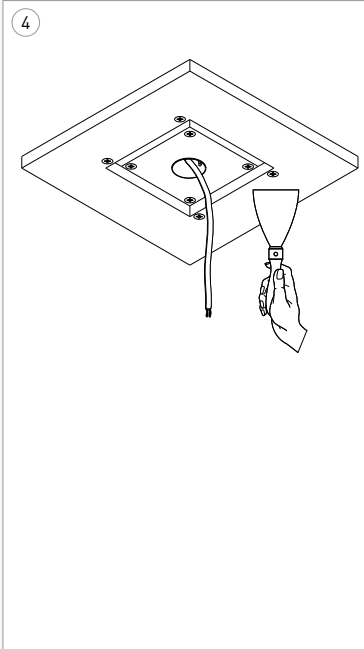
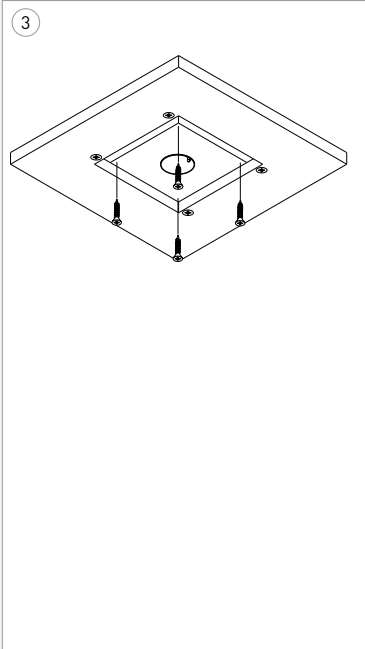
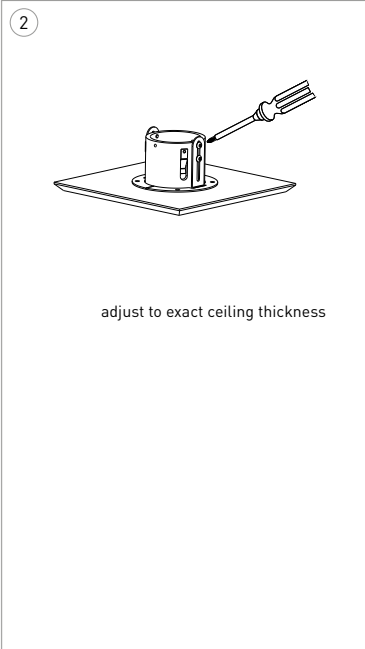
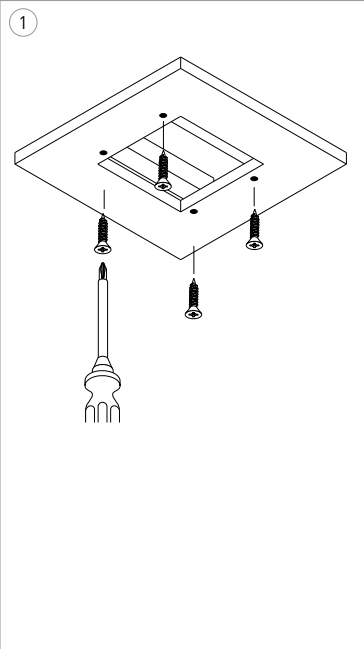
DREBBEL PLASTERKIT IN PLASTERBOARD (HOLLOW CEILINGS)



DREBBEL PLASTERKIT ON PLASTERBOARD (SOLID CEILINGS)



DREBBEL FERMACELL IN PLASTERBOARD



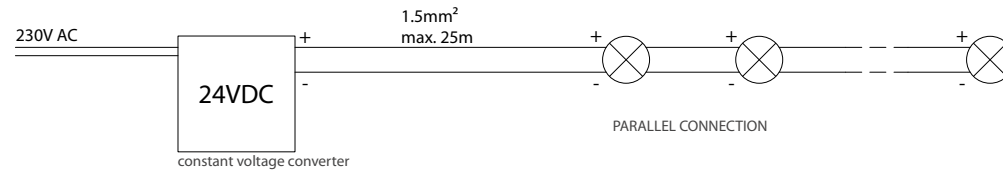
WIRING DIAGRAMS

technical info

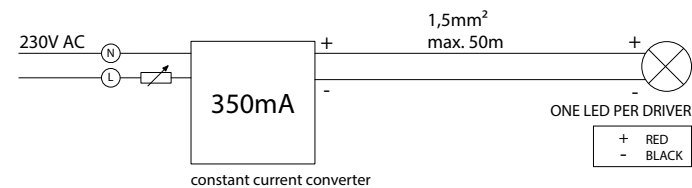
CONSTANT VOLTAGE (PARALLEL)

WIRING DIAGRAM FOR CONNECTION OF POWERLED LUMINAIRES WITH CURRENT DRIVER (350MA TO 24VDC) ON BOARD

f.e. LISDODDE, ...



MAINS DIMMING



WIRING DIAGRAM FOR FIXTURES WITH halosphere®

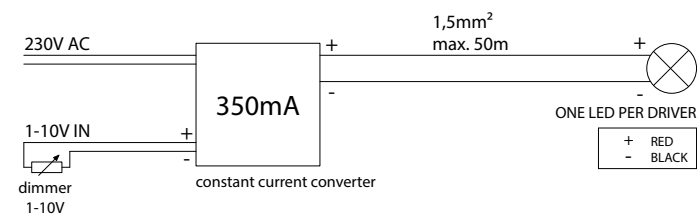
Halosphere® changes the colour temperature from warm to a luxury warm, same as if it was a halogen light source.

This implicates that on full capacity output the colour temperature is 3000K, but when fully dimmed the colour temperature goes down to 2000K. Practically speaking we are transiting from warm white light to an extra warm white light. As such we obtain this warm soft light creating a welcoming hospitable surrounding. The comparison with the colour of a gently burning open fire or the amber coloured sunset is easily made.

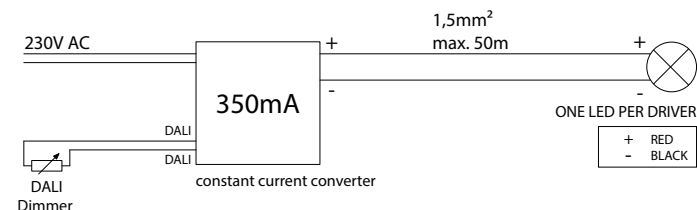
f.e.

HELAX HALOSPHERE CCR DIMMABLE 2700K-1800K
ORBITAL HALOSPHERE CCR DIMMABLE 3000K-1800K

1-10V DIMMING



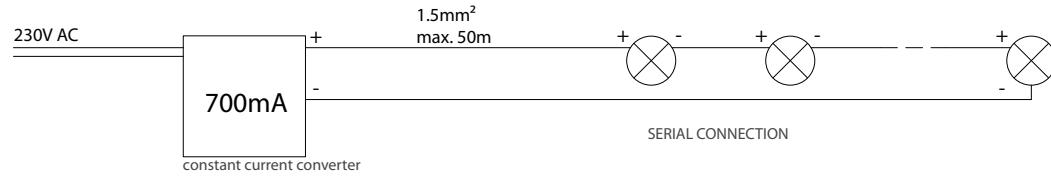
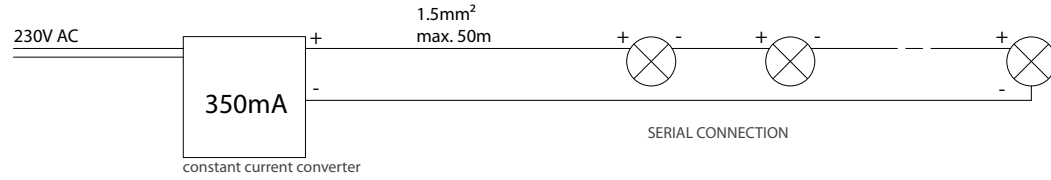
DALI DIMMING



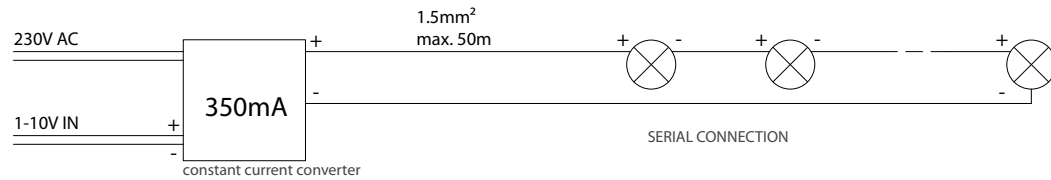
technical info

WIRING DIAGRAMS

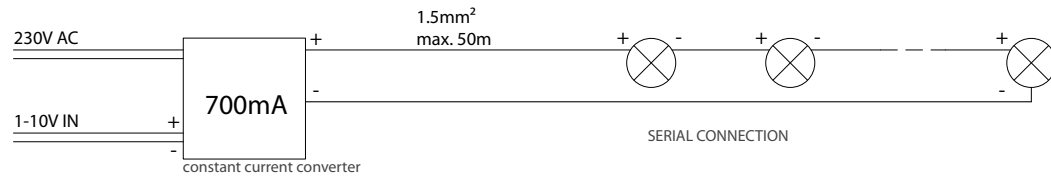
CONSTANT CURRENT (SERIAL)
WIRING DIAGRAM FOR CONNECTION OF POWERLED LUMINAIRES WITHOUT CONVERTER
f.e. CHROMOS, TOMMY,...



WIRING DIAGRAM FOR CONNECTION OF POWERLED LUMINAIRES WITH 1-10V DIMMABLE CONVERTER



WIRING DIAGRAM FOR CONNECTION OF POWERLED LUMINAIRES WITH 1-10V DIMMABLE CONVERTER



BY REFERENCE

index

40025	550	104736	298	107106	140	117407	73	133147	100	175077	176	177313	154	178557	102
40027	550	104737	298	107107	140	117416	73	133157	100	175078	176	177323	154	178626	102
40057	550	104746	298	107116	140	117417	73	133226	100	175097	176	177326	154	178636	102
40063	550	104747	298	107117	140	117506	73	133236	100	175098	176	177336	154	178647	102
40065	550	104756	298	107186	140	117507	73	133247	100	175156	177	177347	154	178657	102
40070	550	104757	298	107196	140	117516	73	133257	100	175166	177	177357	154	178930	87
40071	550	104766	298	107206	140	117517	73	133806	57	175177	177	177413	154	178931	87
40072	550	104767	298	107207	140	123026	99	133807	57	175178	177	177423	154	178936	87
40073	550	104776	298	107216	140	123027	99	133816	57	175197	177	177426	154	178937	87
40080	550	104777	298	107217	140	123047	99	133817	57	175198	177	177436	154	178940	402
40081	550	105518	210	107286	140	123048	99	133826	57	175276	176	177447	154	178941	402
40082	550	105526	210	107296	140	123126	56	133836	57	175296	176	177457	154	178946	402
40083	550	105527	210	107406	143	123127	56	133847	57	175376	177	177510	166	178947	402
40084	550	105706	211	107407	143	123147	56	133857	57	175396	177	177516	166	179090	192
40087	550	105707	211	107416	143	123148	56	145530	158	176716	192	177517	166	179091	192
40088	550	105716	211	107417	143	132314	54	145531	158	177030	166	177616	216	179706	192
102426	208	105717	211	107506	143	132315	54	145541	158	177036	166	177626	216	179726	192
102427	208	105726	211	107507	143	132327	54	145567	158	177037	166	177636	216	179727	192
102436	208	105727	211	107516	143	132328	54	145610	158	177040	166	177637	216	179736	192
102437	208	105736	211	107517	143	132348	54	145611	158	177046	166	177647	216	179737	192
102446	208	105737	211	108136	74	132349	54	145621	158	177047	166	177657	216	179746	192
102447	208	105746	211	108137	74	132514	55	145626	158	177060	166	177716	216	179747	192
102476	208	105747	211	108146	74	132515	55	150096	366	177066	166	177726	216	179756	192
102477	208	105756	211	108147	74	132527	55	150098	366	177067	166	177736	216	179757	192
102526	288	105757	211	108236	74	132528	55	150703	366	177070	166	177737	216	179767	192
102527	288	105766	211	108237	74	132548	55	150723	366	177076	166	177747	216	179777	192
102536	288	105767	211	108246	74	132549	55	150726	366	177077	166	177757	216	179806	192
102537	288	105776	211	108247	74	132614	54	150729	366	177078	166	177920	166	179816	192
102546	288	105777	211	109106	70	132615	54	150730	367	177080	166	177927	166	179826	192
102547	288	106107	145	109107	70	132627	54	150733	367	177086	166	177928	166	179827	192
102576	288	106136	145	109116	70	132628	54	150736	367	177087	166	178326	102	179836	192
102577	288	106137	145	109117	70	132648	54	150739	367	177097	166	178336	102	179837	192
104518	298	106146	145	109186	70	132649	54	150798	367	177110	166	178347	102	179846	192
104526	298	106147	145	109196	70	132814	55	150923	366	177116	166	178357	102	179847	192
104527	298	106237	145	109206	70	132815	55	150929	366	177118	166	178426	102	179856	192
104706	298	106246	145	109207	70	132827	55	150930	367	177213	154	178436	102	179857	192
104707	298	106247	145	109216	70	132828	55	150933	367	177223	154	178447	102	179867	192
104716	298	106336	145	109217	70	132848	55	150939	367	177226	154	178457	102	179877	192
104717	298	106337	145	109286	70	132849	55	168999	401	177236	154	178526	102	186024	401
104726	298	106346	145	109296	70	133126	100	175056	176	177247	154	178536	102	186034	401
104727	298	106347	145	117406	73	133136	100	175066	176	177257	154	178547	102	186083	401

186086	401	227726	118	249027	92	260934	392	279706	542	294436	354	315560	96	348636	106
186089	401	227736	118	249046	92	260935	392	279716	542	294447	354	332606	209	348647	106
186093	401	227747	118	249047	92	260936	392	279726	542	294457	354	332607	209	348657	106
186096	401	227757	118	249056	92	260937	392	279727	542	294526	354	332616	209	348726	107
186099	401	227826	116	249057	92	260938	392	279736	542	294536	354	332617	209	348747	107
186124	401	227836	116	249146	405	260941	392	279737	542	294547	354	332626	209	348826	107
186134	401	227847	116	249147	405	260942	392	279746	542	294557	354	332627	209	348847	107
186183	401	227857	116	249156	405	260943	392	279747	542	304120	159	332636	209	351047	181
186186	401	227926	116	249157	405	260944	392	279756	542	304131	159	332637	209	351050	181
186189	401	227936	116	249216	88	260945	392	279757	542	304157	159	332646	209	351056	181
186193	401	227947	116	249217	88	260946	392	279767	542	304220	159	332647	209	351057	181
186196	401	227957	116	249226	88	260947	392	279777	542	304231	159	332656	209	351060	181
186199	401	248016	91	249227	88	260948	392	293026	134	304257	159	332657	209	351066	181
186224	401	248017	91	249236	88	260972	396	293036	134	304320	159	332666	209	351085	181
186234	401	248026	91	249237	88	260974	396	293047	134	304331	159	332667	209	351096	181
186283	401	248027	91	249246	88	260975	396	293057	134	304357	159	332676	209	351147	181
186286	401	248036	91	249247	88	260976	396	293126	134	304420	159	332677	209	351150	181
186289	401	248037	91	249256	88	260982	396	293136	134	304431	159	339426	120	351156	181
186293	401	248046	91	249257	88	260984	396	293147	134	304457	159	339427	120	351157	181
186296	401	248047	91	249266	88	260985	396	293157	134	304620	159	339436	120	351160	181
186299	401	248056	91	249267	88	260986	396	293226	134	304631	159	339437	120	351166	181
211318	66	248057	91	250790	130	260990	388	293236	134	304657	159	339446	120	351186	181
211326	66	248065	91	254037	163	260991	363	293247	134	304720	159	339447	120	351196	181
211328	66	248067	91	254047	163	260992	362	293257	134	304731	159	339476	120	359800	180
211336	66	248116	104	254086	163	260993	390	293326	134	304757	159	339477	120	359818	180
211406	69	248117	104	254096	163	264931	395	293336	134	304820	159	340426	120	359820	180
211407	69	248126	104	255590	163	264932	395	293347	134	304821	159	340427	120	359826	180
211416	69	248127	104	255595	163	264933	395	293357	134	304857	159	340436	120	359828	180
211417	69	248136	104	255690	163	264934	395	293426	134	311426	308	340437	120	359846	180
211418	66	248137	104	255695	163	264935	395	293436	134	311427	308	340446	120	359850	180
211426	66	248146	104	258037	163	264936	395	293447	134	311436	308	340447	120	359856	180
211428	66	248147	104	258047	163	264937	395	293457	134	311437	308	340477	120	359857	180
211436	66	248156	104	258086	163	264938	395	293526	134	311526	308	348513	106	359870	180
211506	69	248157	104	258096	163	264941	395	293536	134	311527	308	348523	106	359876	180
211507	69	248165	104	258137	163	264942	395	293547	134	311536	308	348526	106	359877	180
211516	69	248167	104	258147	163	264943	395	293557	134	311537	308	348536	106	359882	180
211517	69	248626	94	258186	163	264944	395	294326	354	315510	96	348547	106	359892	180
227626	118	248647	94	258196	163	264945	395	294336	354	315520	96	348557	106	359900	178
227636	118	249016	92	260931	392	264946	395	294347	354	315530	96	348613	106	359918	178
227647	118	249017	92	260932	392	264947	395	294357	354	315540	96	348623	106	359920	178
227657	118	249026	92	260933	392	264948	395	294426	354	315550	96	348626	106	359926	178

BY REFERENCE

index

359928	178	362678	330	369320	342	369562	342	370726	233	377326	138	388999	400	391416	236
359946	178	363020	334	369322	342	369570	342	370727	233	377337	138	389903	400	391426	236
359950	178	363022	334	369330	342	369572	342	370736	233	377347	138	389913	400	391437	236
359956	178	363120	334	369332	342	369650	330	370737	233	377426	153	389923	400	391447	236
359957	178	363122	334	369340	342	369651	330	370746	233	377436	153	389926	400	391526	137
359970	178	363220	334	369342	342	369685	347	370747	233	377447	153	389929	400	391536	137
359976	178	363222	334	369350	342	369693	347	370776	233	377457	153	389933	400	391547	137
359977	178	363320	334	369352	342	369695	347	370777	233	377526	153	389936	400	391557	137
359982	178	363322	334	369360	342	369740	336	370946	325	377536	153	389939	400	391626	137
359992	178	366308	348	369362	342	369741	336	370947	325	377547	153	390626	238	391636	137
360526	362	366309	348	369370	342	369742	336	370956	325	377557	153	390636	238	391647	137
360529	362	366318	348	369372	342	369743	336	370957	325	378226	244	390646	238	391657	137
360530	362	366319	348	369400	342	369750	336	370976	325	378227	244	390647	238	391726	137
360533	362	366348	348	369402	342	369751	336	370977	325	378247	244	390656	238	391736	137
360550	364	366349	348	369410	342	369752	336	371941	234	378248	244	390657	238	391747	137
360563	364	366358	348	369412	342	369753	336	371942	234	378326	244	390667	238	391757	137
360726	363	366359	348	369420	342	369760	336	371943	234	378327	244	390677	238	392526	137
360734	363	366408	348	369422	342	369761	336	371944	234	378347	244	390726	238	392536	137
360764	363	366409	348	369430	342	369762	336	371945	234	378348	244	390736	238	392547	137
360786	363	366448	348	369432	342	369763	336	371946	234	378426	244	390746	238	392557	137
362621	330	366449	348	369440	342	369770	336	371951	234	378427	244	390747	238	392626	137
362623	330	369200	344	369442	342	369771	336	371952	234	378447	244	390756	238	392636	137
362625	330	369202	344	369450	342	369772	336	371953	234	378448	244	390757	238	392647	137
362627	330	369210	344	369452	342	369773	336	371954	234	379226	245	390767	238	392657	137
362628	330	369212	344	369460	342	369775	347	371955	234	379227	245	390777	238	392726	137
362629	330	369220	344	369462	342	369785	347	371956	234	379247	245	390826	238	392736	137
362641	330	369222	344	369470	342	369793	347	371956	234	379248	245	390836	238	392747	137
362643	330	369223	344	369472	342	369795	347	375206	314	379248	245	390846	238	392757	137
362645	330	369230	344	369477	342	369840	334	375236	314	379326	245	390846	238	392757	137
362647	330	369232	344	369500	342	369842	334	375309	314	379327	245	390847	238	393358	348
362648	330	369240	344	369502	342	369850	334	375336	314	379347	245	390856	238	405126	231
362649	330	369242	344	369510	342	369852	334	375412	314	379348	245	390857	238	405147	231
362660	330	369250	344	369512	342	369860	334	375436	314	379426	245	390867	238	405192	231
362660	330	369252	344	369520	342	369862	334	377116	226	379447	245	390877	238	405195	231
362662	330	369260	344	369522	342	369870	334	377126	226	388903	400	391216	236	405216	172
362665	330	369262	344	369530	342	369872	334	377137	226	388913	400	391226	236	405226	172
362667	330	369270	344	369532	342	369885	347	377147	226	388923	400	391237	236	405237	172
362668	330	369272	344	369540	342	369889	347	377216	226	388926	400	391247	236	405247	172
362670	330	369272	344	369542	342	369895	347	377226	226	388929	400	391316	236	405282	172
362672	330	369300	342	369542	342	369895	347	377226	226	388929	400	391316	236	405282	172
362672	330	369302	342	369550	342	369895	347	377237	226	388933	400	391326	236	405292	172
362675	330	369310	342	369552	342	369895	347	377247	226	388936	400	391337	236	405295	172
362677	330	369312	342	369560	342	369895	347	377316	138	388939	400	391347	236	405316	173

405326	173	406137	160	408112	258	408847	245	416229	358	418093	261	418213	261	419285	125
405337	173	406147	160	408113	258	408920	245	416233	358	418094	261	418216	261	419286	125
405347	173	406182	160	408116	258	408926	245	416236	358	418095	261	418217	261	419294	125
405382	173	406186	160	408117	258	408934	245	416239	358	418096	261	418218	261	419295	125
405385	173	406192	160	408120	258	408947	245	416303	358	418097	261	418219	261	419296	125
405392	173	406196	160	408124	258	409285	172	416313	358	418102	261	418220	261	419297	125
405395	173	407020	188	408126	258	409526	65	416323	358	418103	261	418224	261	419299	125
405416	173	407026	188	408127	258	409527	65	416326	358	418108	261	418226	261	419316	125
405426	173	407027	188	408134	258	409536	65	416329	358	418109	261	418227	261	419326	125
405437	173	407057	188	408147	258	409537	65	416333	358	418110	261	418234	261	419337	125
405447	173	407059	188	408157	258	409626	65	416336	358	418112	261	418246	261	419347	125
405482	173	407096	188	408184	258	409627	65	416339	358	418113	261	418247	261	419384	125
405485	173	407220	188	408186	258	409636	65	416426	318	418116	261	418256	261	419385	125
405492	173	407226	188	408194	258	409637	65	416436	318	418117	261	418257	261	419386	125
405495	173	407227	188	408196	258	411619	207	416447	318	418118	261	418283	261	419394	125
405516	232	407257	188	408202	258	411620	207	416457	318	418119	261	418284	261	419395	125
405526	232	407259	188	408203	258	411626	207	418002	261	418120	261	418285	261	419396	125
405537	232	407296	188	408210	258	411634	207	418003	261	418124	261	418286	261	419397	125
405547	232	407926	188	408212	258	411647	207	418008	261	418126	261	418287	261	419399	125
405616	232	407947	188	408213	258	411650	207	418009	261	418127	261	418293	261	419416	128
405626	232	408002	258	408216	258	411656	207	418010	261	418134	261	418294	261	419426	128
405637	232	408003	258	408217	258	411657	207	418012	261	418146	261	418295	261	419437	128
405647	232	408010	258	408220	258	411694	207	418013	261	418147	261	418296	261	419447	128
405716	174	408012	258	408224	258	411695	207	418016	261	418156	261	418297	261	419484	128
405726	174	408013	258	408226	258	411696	207	418017	261	418157	261	419116	125	419485	128
405737	174	408016	258	408227	258	411926	315	418018	261	418183	261	419126	125	419486	128
405747	174	408017	258	408234	258	411937	315	418019	261	418184	261	419137	125	419494	128
405782	174	408020	258	408247	258	411976	315	418020	261	418185	261	419147	125	419495	128
405785	174	408024	258	408257	258	411977	315	418024	261	418186	261	419184	125	419496	128
405792	174	408026	258	408284	258	416103	356	418026	261	418187	261	419185	125	419516	128
405795	174	408027	258	408286	258	416113	356	418027	261	418193	261	419186	125	419526	128
405816	174	408034	258	408294	258	416123	356	418034	261	418194	261	419194	125	419537	128
405826	174	408047	258	408296	258	416126	356	418046	261	418195	261	419195	125	419547	128
405837	174	408057	258	408626	312	416129	356	418047	261	418196	261	419196	125	419584	128
405847	174	408084	258	408634	312	416133	356	418056	261	418197	261	419197	125	419585	128
405882	174	408086	258	408647	312	416136	356	418057	261	418202	261	419199	125	419586	128
405885	174	408094	258	408726	313	416139	356	418083	261	418203	261	419216	125	419594	128
405892	174	408096	258	408747	313	416203	358	418084	261	418208	261	419226	125	419595	128
405895	174	408102	258	408820	245	416213	358	418085	261	418209	261	419237	125	419596	128
406077	160	408103	258	408826	245	416223	358	418086	261	418210	261	419247	125	419616	128
406097	160	408110	258	408834	245	416226	358	418087	261	418212	261	419284	125	419626	128

BY REFERENCE

index

419637	128	420266	224	420577	224	422256	528	423474	324	431203	368	433197	203	433696	276
419647	128	420267	224	420585	224	422257	528	423476	324	431223	368	433226	204	433697	276
419684	128	420274	224	420587	224	422264	528	423477	324	431226	368	433227	204	433726	276
419685	128	420275	224	420852	224	422266	528	423482	324	431229	368	433247	204	433727	276
419686	128	420276	224	421254	310	422267	528	423485	324	431303	368	433248	204	433747	276
419694	128	420277	224	421256	310	422274	528	423487	324	431323	368	433292	204	433748	276
419695	128	420282	224	421257	310	422276	528	425009	272	431326	368	433293	204	433757	276
419696	128	420285	224	421264	310	422277	528	425021	272	431329	368	433296	204	433758	276
419716	229	420287	224	421266	310	422282	528	425026	272	431603	368	433297	204	433792	276
419726	229	420354	224	421267	310	422285	528	425034	272	431623	368	433326	538	433793	276
419737	229	420356	224	421274	310	422287	528	425035	272	431626	368	433327	538	433796	276
419747	229	420357	224	421276	310	423254	324	425047	272	431629	368	433347	538	433797	276
419784	229	420364	224	421277	310	423256	324	425050	272	431703	368	433348	538	433826	201
419794	229	420366	224	421282	310	423257	324	425060	272	431723	368	433392	538	433827	201
419796	229	420367	224	421285	310	423264	324	425061	272	431726	368	433393	538	433847	201
419797	229	420374	224	421287	310	423266	324	425094	272	431729	368	433396	538	433848	201
419816	58	420376	224	421554	310	423267	324	425095	272	432003	399	433397	538	433892	201
419826	58	420377	224	421556	310	423274	324	425209	272	432013	399	433426	198	433893	201
419837	58	420382	224	421557	310	423276	324	425213	272	432023	399	433427	198	433896	201
419847	58	420385	224	421564	310	423277	324	425509	274	432026	399	433447	198	433897	201
419884	58	420387	224	421566	310	423282	324	425521	274	432029	399	433448	198	435995	248
419885	58	420454	224	421567	310	423285	324	425526	274	432033	399	433492	198	435996	252
419886	58	420456	224	421574	310	423287	324	425534	274	432036	399	433493	198	435997	254
419894	58	420457	224	421576	310	423354	324	425535	274	432039	399	433496	198	440023	352
419895	58	420464	224	421577	310	423356	324	425547	274	432097	399	433497	198	440026	352
419896	58	420466	224	421582	310	423357	324	425550	274	432099	399	433526	198	440033	352
420154	224	420467	224	421585	310	423364	324	425560	274	433026	198	433527	198	440036	352
420156	224	420474	224	421587	310	423366	324	425561	274	433027	198	433547	198	440090	352
420157	224	420476	224	422154	528	423367	324	425562	274	433047	198	433548	198	440091	352
420164	224	420477	224	422156	528	423374	324	425594	274	433048	198	433592	198	449003	397
420166	224	420482	224	422157	528	423376	324	425595	274	433092	198	433593	198	449013	397
420167	224	420485	224	422164	528	423377	324	425609	274	433093	198	433596	198	449023	397
420174	224	420487	224	422166	528	423382	324	425613	274	433096	198	433597	198	449026	397
420176	224	420554	224	422167	528	423385	324	426226	119	433097	198	433626	276	449029	397
420177	224	420556	224	422174	528	423387	324	426236	119	433126	203	433627	276	449033	397
420182	224	420557	224	422176	528	423454	324	426247	119	433127	203	433647	276	449036	397
420185	224	420564	224	422177	528	423456	324	426257	119	433147	203	433648	276	449039	397
420187	224	420566	224	422182	528	423457	324	426326	119	433148	203	433657	276	452026	156
420254	224	420567	224	422185	528	423464	324	426336	119	433192	203	433658	276	452036	156
420256	224	420574	224	422187	528	423466	324	426347	119	433193	203	433692	276	452047	156
420264	224	420576	224	422254	528	423467	324	426357	119	433196	203	433693	276	452057	156

453026	294	455023	390	459547	187	463447	149	466236	115	468326	241	471157	105	473323	377
453034	294	455026	390	459557	187	463457	149	466247	115	468336	241	471176	105	473326	377
453035	294	455029	390	459567	187	463526	149	466257	115	468347	241	471177	105	473329	377
453047	294	458512	175	459577	187	463536	149	466308	115	468357	241	472116	129	473333	377
453050	294	458522	175	462126	76	463547	149	466318	115	469026	108	472126	129	473336	377
453070	294	458526	175	462136	76	463557	149	466326	115	469036	108	472137	129	473339	377
453075	294	458536	175	462147	76	463626	149	466336	115	469047	108	472147	129	473403	378
453076	294	458547	175	462157	76	463636	149	466347	115	469057	108	472182	129	473413	378
453077	294	458557	175	462226	76	463647	149	466357	115	469126	108	472184	129	473423	378
453096	294	458612	175	462236	76	463657	149	467016	168	469136	108	472185	129	473426	378
453126	292	458622	175	462247	76	464126	122	467026	168	469147	108	472186	129	473429	378
453134	292	458626	175	462257	76	464136	122	467046	168	469157	108	472192	129	473433	378
453135	292	458636	175	462426	77	464147	122	467047	168	469226	108	472194	129	473436	378
453147	292	458647	175	462436	77	464157	122	467057	168	469236	108	472195	129	473439	378
453170	293	458657	175	462447	77	464226	122	467067	168	469247	108	472196	129	473443	379
453176	293	459003	184	462457	77	464236	122	467077	168	469257	108	473003	376	473453	379
453226	292	459013	184	462467	77	464247	122	467096	168	469326	108	473013	376	473463	379
453234	292	459026	184	462526	77	464247	122	467116	168	469336	108	473023	376	473466	379
453235	292	459036	184	462536	77	464257	122	467126	168	469347	108	473026	376	473469	379
453247	292	459047	184	462547	77	464326	122	467146	168	469357	108	473029	376	473473	379
453270	293	459057	184	462557	77	464336	122	467147	168	471016	105	473033	376	473476	379
453276	293	459086	184	462900	76	464347	122	467147	168	471017	105	473036	376	473479	379
453596	289	459096	184	462916	76	464357	122	467157	168	471026	105	473039	376	473503	380
453696	289	459096	184	462917	76	464426	122	467167	168	471027	105	473103	377	473513	380
454003	372	459103	184	462926	76	464447	122	467177	168	471036	105	473113	377	473523	380
454023	372	459113	184	462927	76	464457	122	467196	168	471036	105	473123	377	473526	380
454026	372	459126	184	462946	76	464536	122	467216	168	471037	105	473126	377	473529	380
454029	372	459136	184	462947	76	466008	110	467226	168	471046	105	473129	377	473533	380
454103	372	459147	184	463126	146	466018	110	467246	168	471047	105	473129	377	473536	380
454123	372	459157	184	463136	146	466026	110	467247	168	471056	105	473133	377	473539	380
454123	372	459186	184	463147	146	466036	110	467257	168	471057	105	473136	377	473603	378
454126	372	459186	184	463157	146	466047	110	467267	168	471076	105	473139	377	473613	378
454129	372	459196	184	463226	146	466057	110	467277	168	471077	105	473203	376	473623	378
454203	372	459226	187	463236	146	466108	110	467296	168	471116	105	473213	376	473626	378
454223	372	459236	187	463247	146	466118	110	467316	168	471117	105	473223	376	473629	378
454226	372	459247	187	463257	146	466126	110	467326	168	471126	105	473226	376	473633	378
454229	372	459257	187	463326	146	466136	110	467346	168	471127	105	473229	376	473636	378
454309	372	459286	187	463336	146	466147	110	467347	168	471136	105	473233	376	473639	378
454323	372	459296	187	463347	146	466157	110	467347	168	471137	105	473236	376	473643	379
454326	372	459503	187	463347	146	466208	115	467357	168	471146	105	473239	376	473653	379
454326	372	459513	187	463357	146	466218	115	467367	168	471147	105	473303	377	473663	379
454329	372	459526	187	463357	146	466218	115	467377	168	471156	105	473313	377		
455003	390	459536	187	463426	149	466226	115	467396	168						
		459547	187	463436	149										

BY REFERENCE

index

473666	379	475329	383	476433	386	481060	221	484326	197	485857	170	487024	264	488147	271
473669	379	475333	383	476436	386	481061	221	484347	197	485886	170	487034	264	488150	271
473673	379	475336	383	476439	386	481066	221	484426	197	485896	170	487047	264	488160	271
473676	379	475339	383	476503	388	481067	221	484447	197	486002	268	487057	264	488305	260
473679	379	475403	385	476513	388	481096	221	484526	197	486009	268	487086	264	488315	260
473703	380	475413	385	476523	388	481100	305	484547	197	486010	268	487096	264	488316	260
473713	380	475423	385	476526	388	481110	306	484626	110	486012	268	487102	264	488326	260
473723	380	475426	385	476529	388	481111	306	484636	110	486019	268	487103	264	488337	260
473726	380	475429	385	476533	388	481116	306	484647	110	486020	268	487110	264	488340	260
473729	380	475433	385	476536	388	481117	306	484657	110	486024	268	487112	264	488347	260
473733	380	475436	385	476539	388	481150	305	484726	170	486034	268	487113	264	488350	260
473736	380	475439	385	477403	386	481160	306	484736	170	486102	268	487120	264	488405	260
473739	380	475503	382	477413	386	481161	306	484747	170	486109	268	487124	264	488415	260
474003	374	475513	382	477423	386	481166	306	484757	170	486110	268	487134	264	488416	260
474013	374	475523	382	477426	386	481167	306	484786	170	486112	268	487147	264	488426	260
474023	374	475526	382	477429	386	481196	307	484796	170	486119	268	487157	264	488437	260
474026	374	475529	382	477433	386	481615	210	484826	170	486120	268	487186	264	488440	260
474029	374	475533	382	477436	386	481647	210	484836	170	486124	268	487196	264	488447	260
474033	374	475536	382	477439	386	481650	210	484847	170	486134	268	487202	264	488450	260
474036	374	475539	382	477439	386	481715	301	484857	170	486202	268	487203	264	488505	260
474039	374	475603	385	477503	388	481747	301	484886	170	486209	268	487210	264	488515	260
474203	374	475613	385	477513	388	481750	301	484896	170	486210	268	487212	264	488516	260
474213	374	475623	385	477523	388	481847	256	485013	320	486212	268	487213	264	488526	260
474223	374	475626	385	477526	388	482546	524	485021	320	486219	268	487220	264	488537	260
474226	374	475629	385	477529	388	482556	524	485026	320	486220	268	487224	264	488540	260
474229	374	475633	385	477533	388	482567	524	485047	320	486224	268	487234	264	488547	260
474233	374	475636	385	477536	388	482577	524	485050	320	486234	268	487247	264	488550	260
474236	374	475639	385	477539	388	482577	524	485113	320	486302	529	487257	264	491050	223
474239	374	475703	382	480100	290	482646	524	485121	320	486309	529	487286	264	491056	223
475103	383	475713	382	480104	290	482667	524	485126	320	486310	529	487296	264	491057	223
475113	383	475723	382	480107	290	482677	524	485147	320	486312	529	488015	271	491060	223
475123	383	475726	382	480113	290	482846	524	485150	320	486319	529	488025	271	491066	223
475126	383	475729	382	480300	532	482856	524	485726	170	486320	529	488026	271	491067	223
475129	383	475733	382	480304	532	482867	524	485736	170	486324	529	488036	271	491150	286
475133	383	475736	382	480307	532	482877	524	485747	170	486334	529	488047	271	491156	286
475136	383	475739	382	480313	532	484026	197	485757	170	487002	264	488050	271	491157	286
475139	383	476403	386	481000	220	484047	197	485786	170	487003	264	488060	271	491160	286
475303	383	476413	386	481010	221	484126	197	485796	170	487010	264	488115	271	491166	286
475313	383	476423	386	481011	221	484147	197	485826	170	487012	264	488125	271	491167	286
475323	383	476426	386	481016	221	484226	197	485836	170	487013	264	488126	271	491250	286
475326	383	476429	386	481017	221	484247	197	485847	170	487020	264	488136	271	491256	286
				481050	220										

index

491257	286	491977	303	493250	340	493462	338	494150	280	494596	535	497495	85	620366	304
491260	286	492050	212	493252	340	493470	338	494156	280	496021	278	497496	85	620367	304
491266	286	492056	212	493260	340	493472	338	494157	280	496026	278	498116	83	620376	304
491267	286	492057	212	493262	340	493500	338	494194	280	496036	278	498126	83	620377	304
491350	545	492060	212	493270	340	493502	338	494195	280	496037	278	498137	83	621146	218
491356	545	492066	212	493272	340	493510	338	494196	280	496047	278	498147	83	621147	218
491357	545	492067	212	493300	338	493512	338	494219	206	496056	278	498182	83	621156	218
491360	545	492150	302	493302	338	493520	338	494220	206	496057	278	498184	83	621157	218
491366	545	492156	302	493310	338	493522	338	494226	206	496091	278	498185	83	621166	218
491367	545	492157	302	493312	338	493530	338	494234	206	496096	278	498186	83	621167	218
491426	222	492160	302	493320	338	493532	338	494247	206	496521	530	498192	83	621176	218
491436	222	492166	302	493322	338	493540	338	494250	206	496526	530	498194	83	621177	218
491447	222	492167	302	493330	338	493542	338	494256	206	496536	530	498195	83	621346	304
491457	222	492250	212	493332	338	493550	338	494257	206	496537	530	498196	83	621347	304
491526	284	492256	212	493340	338	493552	338	494294	206	496547	530	498416	83	621356	304
491536	284	492257	212	493342	338	493560	338	494295	206	496556	530	498426	83	621357	304
491547	284	492260	212	493348	348	493562	338	494296	206	496557	530	498437	83	621366	304
491557	284	492266	212	493349	348	493570	338	494419	536	496591	530	498447	83	621367	304
491626	284	492267	212	493350	338	493572	338	494420	536	496596	530	498482	83	621376	304
491636	284	492350	302	493352	338	494001	280	494426	536	497116	85	498484	83	621377	304
491647	284	492356	302	493358	340	494013	280	494434	536	497126	85	498485	83	630146	218
491657	284	492357	302	493359	348	494016	280	494447	536	497137	85	498486	83	630147	218
491726	544	492360	302	493360	338	494019	280	494450	536	497147	85	498492	83	630156	218
491736	544	492366	302	493362	338	494020	280	494456	536	497182	85	498494	83	630157	218
491747	544	492367	302	493370	338	494026	280	494457	536	497184	85	498495	83	630166	218
491757	544	492916	284	493372	338	494034	280	494494	536	497185	85	498496	83	630167	218
491826	215	492917	284	493400	338	494047	280	494495	536	497186	85	499077	397	630176	218
491836	215	492956	284	493402	338	494050	280	494496	536	497192	85	499097	397	630177	218
491846	215	492957	284	493410	338	494056	280	494501	535	497194	85	499099	397	630346	304
491847	215	492976	284	493412	338	494057	280	494513	535	497195	85	620146	218	630347	304
491856	215	492977	284	493420	338	494094	280	494516	535	497196	85	620147	218	630356	304
491857	215	493200	340	493422	338	494095	280	494519	535	497416	85	620156	218	630357	304
491867	215	493202	340	493430	338	494096	280	494520	535	497426	85	620157	218	630366	304
491877	215	493210	340	493432	338	494101	280	494526	535	497437	85	620166	218	630367	304
491926	303	493212	340	493440	338	494113	280	494534	535	497447	85	620167	218	630376	304
491936	303	493220	340	493442	338	494116	280	494547	535	497482	85	620176	218	630377	304
491946	303	493222	340	493448	348	494119	280	494550	535	497484	85	620177	218	643026	360
491947	303	493230	340	493449	348	494120	280	494556	535	497485	85	620177	218	643926	360
491956	303	493232	340	493450	338	494126	280	494557	535	497486	85	620346	304	650042	37
491957	303	493240	340	493452	338	494134	280	494594	535	497492	85	620347	304	650044	37
491967	303	493242	340	493460	338	494147	280	494595	535	497494	85	620356	304	650046	35
												620357	304		

BY REFERENCE

index

650047	35	650562	45	681702	478	681824	478	681936	478	682173	482	682796	479	682920	479
650062	37	650564	45	681704	478	681826	478	681940	478	682174	482	682800	479	682922	479
650064	37	650566	43	681706	478	681830	478	681942	478	682175	482	682802	479	682924	479
650066	35	650567	43	681720	478	681832	478	681944	478	682179	482	682804	479	682926	479
650067	35	650582	45	681722	478	681834	478	681946	478	682185	482	682806	479	682930	479
650082	37	650584	45	681724	478	681836	478	681950	478	682195	482	682820	479	682932	479
650084	37	650586	43	681726	478	681840	478	681952	478	682700	479	682822	479	682934	479
650086	35	650587	43	681730	478	681842	478	681954	478	682702	479	682824	479	682936	479
650087	35	650606	49	681732	478	681844	478	681956	478	682704	479	682826	479	682940	479
650106	49	650607	49	681734	478	681846	478	681960	478	682706	479	682830	479	682942	479
650107	49	650646	44	681736	478	681850	478	681962	478	682720	479	682832	479	682944	479
650146	36	650647	44	681740	478	681852	478	681964	478	682722	479	682834	479	682946	479
650147	36	650666	44	681742	478	681854	478	681966	478	682724	479	682836	479	682950	479
650166	36	650667	44	681744	478	681856	478	681970	478	682726	479	682840	479	682952	479
650167	36	650686	44	681746	478	681860	478	681972	478	682730	479	682842	479	682954	479
650186	36	650687	44	681750	478	681862	478	681974	478	682732	479	682844	479	682956	479
650187	36	650706	49	681752	478	681864	478	681976	478	682734	479	682846	479	682960	479
650206	49	650707	49	681754	478	681866	478	681980	478	682736	479	682850	479	682962	479
650207	49	650746	42	681756	478	681870	478	681982	478	682740	479	682852	479	682964	479
650246	34	650747	42	681760	478	681872	478	681984	478	682742	479	682854	479	682966	479
650247	34	650766	42	681762	478	681874	478	681986	478	682744	479	682856	479	682970	479
650266	34	650767	42	681764	478	681876	478	681990	478	682746	479	682860	479	682972	479
650267	34	650786	42	681766	478	681880	478	681992	478	682750	479	682862	479	682974	479
650286	34	650787	42	681770	478	681882	478	681994	478	682752	479	682864	479	682976	479
650287	34	650846	46	681772	478	681884	478	681996	478	682754	479	682866	479	682980	479
650346	38	650847	46	681774	478	681886	478	682045	482	682756	479	682870	479	682982	479
650347	38	650866	46	681776	478	681888	478	682055	482	682760	479	682872	479	682984	479
650366	38	650867	46	681780	478	681890	478	682065	482	682762	479	682874	479	682986	479
650367	38	650886	46	681782	478	681892	478	682070	482	682764	479	682876	479	682990	479
650386	38	650887	46	681784	478	681896	478	682072	482	682766	479	682880	479	682992	479
650387	38	650946	47	681786	478	681900	478	682073	482	682770	479	682882	479	682994	479
650446	39	650947	47	681790	478	681902	478	682074	482	682772	479	682884	479	682996	479
650447	39	650966	47	681792	478	681904	478	682075	482	682774	479	682886	479	683202	483
650466	39	650967	47	681794	478	681906	478	682079	482	682776	479	682890	479	683203	483
650467	39	650986	47	681796	478	681920	478	682085	482	682780	479	682892	479	683205	483
650486	39	650987	47	681800	478	681922	478	682095	482	682782	479	682894	479	683206	483
650487	39	680026	476	681802	478	681924	478	682145	482	682784	479	682896	479	683207	483
650542	45	680047	476	681804	478	681926	478	682155	482	682786	479	682900	479	683209	483
650544	45	680226	476	681806	478	681930	478	682165	482	682790	479	682902	479	683212	483
650546	43	680247	476	681820	478	681932	478	682170	482	682792	479	682904	479	683213	483
650547	43	681700	478	681822	478	681934	478	682172	482	682794	479	682906	479	683215	483

index

683216	483	685126	477	691720	492	691832	492	691944	492	693207	498	694276	500	740137	74
683217	483	685147	477	691722	492	691834	492	691946	492	693209	498	694277	500	740138	74
683219	483	685226	477	691724	492	691836	492	691950	492	693212	498	694279	500	740207	145
683262	483	685247	477	691726	492	691840	492	691952	492	693213	498	695026	491	740208	145
683263	483	689026	476	691730	492	691842	492	691954	492	693215	498	695047	491	740217	74
683265	483	689047	476	691732	492	691844	492	691956	492	693216	498	695126	491	740218	74
683266	483	689101	477	691734	492	691846	492	691960	492	693217	498	695147	491	740227	145
683267	483	690026	490	691736	492	691850	492	691962	492	693219	498	695226	491	740228	145
683268	483	690047	490	691740	492	691852	492	691964	492	693262	498	695247	491	740237	74
683272	483	690926	490	691742	492	691854	492	691966	492	693263	498	700109	76	740238	74
683273	483	690936	490	691744	492	691856	492	691970	492	693265	498	700138	140	740307	145
683275	483	690947	490	691746	492	691860	492	691972	492	693266	498	700139	140	740308	145
683276	483	690957	490	691750	492	691862	492	691974	492	693267	498	700198	145	740327	145
683277	483	691026	465	691752	492	691864	492	691976	492	693269	498	700199	145	740328	145
683279	483	691036	425	691754	492	691866	492	691980	492	693272	498	700209	74	750138	130
684202	484	691047	465	691756	492	691870	492	691982	492	693273	498	700298	145	750431	130
684203	484	691057	425	691760	492	691872	492	691984	492	693275	498	700299	145	750433	130
684205	484	691126	465	691762	492	691874	492	691986	492	693276	498	700398	145	750434	130
684206	484	691136	425	691764	492	691876	492	691990	492	693277	498	700399	145	750441	130
684207	484	691147	465	691766	492	691880	492	691992	492	693279	498	702010	145	750443	130
684209	484	691157	425	691770	492	691882	492	691994	492	694202	500	702012	76	750444	130
684212	484	691226	465	691772	492	691884	492	691996	492	694203	500	702020	74	750450	130
684213	484	691236	425	691774	492	691886	492	692145	496	694205	500	702022	74	750460	130
684215	484	691247	465	691776	492	691890	492	692155	496	694206	500	702030	145	750626	130
684216	484	691257	425	691780	492	691892	492	692165	496	694207	500	702110	76	750636	130
684217	484	691326	465	691782	492	691894	492	692170	496	694209	500	702210	66	750647	130
684219	484	691336	425	691784	492	691896	492	692172	496	694212	500	702212	66	750657	130
684262	484	691347	465	691786	492	691900	492	692173	496	694213	500	702220	66	750826	132
684263	484	691357	425	691790	492	691902	492	692174	496	694215	500	702222	66	750836	132
684265	484	691426	465	691792	492	691904	492	692175	496	694216	500	702512	66	750847	132
684266	484	691436	425	691794	492	691906	492	692179	496	694217	500	702522	66	750857	132
684267	484	691447	465	691796	492	691920	492	692185	496	694219	500	719786	229	793118	69
684268	484	691457	425	691796	492	691922	492	692195	496	694262	500	719787	229	793126	69
684272	484	691526	465	691800	492	691924	492	692910	462	694263	500	720199	69	793128	66
684273	484	691536	465	691802	492	691926	492	692930	462	694265	500	720299	69	793136	66
684275	484	691547	465	691804	492	691930	492	692940	462	694266	500	740108	145	793218	69
684276	484	691557	425	691806	492	691932	492	692950	462	694267	500	740117	74	793226	69
684277	484	691700	492	691820	492	691934	492	692950	462	694269	500	740118	74	793228	66
684279	484	691702	492	691822	492	691936	492	693202	498	694272	500	740127	145	793236	66
685026	477	691704	492	691824	492	691940	492	693203	498	694273	500	740128	145	796628	243
685047	477	691706	492	691826	492	691942	492	693206	498	694275	500	740136	145	796636	243

BY REFERENCE

index

796728	74	810746	460	810798	460	810953	468	811710	458	812726	460	812944	468	815203	473
796736	74	810748	460	810812	464	810954	468	811711	458	812732	460	812946	468	815205	473
810012	464	810750	460	810826	464	810955	468	811714	458	812736	460	812950	468	815206	473
810026	464	810751	460	810847	464	810956	468	811715	458	812740	460	812952	468	815207	473
810047	464	810752	460	810900	468	810958	468	811720	458	812742	460	812954	468	815209	473
810104	464	810753	460	810901	468	810960	468	811721	458	812744	460	812956	468	815212	473
810105	454	810754	460	810902	468	810961	468	811724	458	812746	460	812960	468	815213	473
810106	454	810755	460	810903	468	810962	468	811725	458	812750	460	812962	468	815215	473
810312	464	810756	460	810904	468	810963	468	811740	458	812752	460	812964	468	815216	473
810326	464	810758	460	810905	468	810964	468	811741	458	812754	460	812966	468	815217	473
810347	464	810760	460	810906	468	810965	468	811744	458	812756	460	812970	468	815219	473
810700	460	810761	460	810908	468	810966	468	811745	458	812760	460	812972	468	815222	461
810701	460	810762	460	810910	468	810967	464	811750	458	812762	460	812974	468	815223	461
810702	460	810763	460	810911	468	810968	468	811751	458	812764	460	812976	468	815225	461
810703	460	810764	460	810914	468	810970	468	811754	458	812766	460	812980	468	815226	461
810704	460	810765	460	810915	468	810971	468	811755	458	812770	460	812982	468	815227	461
810705	460	810766	460	810920	468	810972	468	811760	458	812772	460	812984	468	815229	461
810706	460	810768	460	810921	468	810973	468	811761	458	812774	460	812986	468	815232	461
810708	460	810770	460	810922	468	810974	468	811764	458	812776	460	812990	468	815233	461
810710	460	810771	460	810923	468	810975	468	811765	458	812780	460	812992	468	815235	461
810711	460	810772	460	810924	468	810976	468	811770	458	812782	460	812994	468	815237	461
810714	460	810773	460	810925	468	810978	468	811771	458	812784	460	812996	468	815239	461
810715	460	810774	460	810926	468	810980	468	811774	458	812786	460	813700	458	815242	461
810720	460	810775	460	810927	464	810981	468	811775	458	812790	460	813704	458	815243	461
810721	460	810776	460	810928	468	810982	468	811780	458	812792	460	813710	458	815245	461
810722	460	810778	460	810932	468	810983	468	811781	458	812794	460	813714	458	815246	461
810723	460	810780	460	810933	468	810984	468	811784	458	812796	460	813720	458	815247	461
810724	460	810781	460	810936	468	810985	468	811785	458	812900	468	813724	458	815249	461
810725	460	810782	460	810938	468	810986	468	811790	458	812902	468	813740	458	815252	461
810726	460	810783	460	810940	468	810988	468	811791	458	812904	468	813744	458	815253	461
810728	460	810784	460	810941	468	810990	468	811794	458	812906	468	813750	458	815255	461
810732	460	810785	460	810942	468	810991	468	811795	458	812910	468	813754	458	815256	461
810733	460	810786	460	810943	468	810992	468	812700	460	812914	468	813760	458	815257	461
810736	460	810788	460	810944	468	810993	468	812702	460	812920	468	813764	458	815259	461
810738	460	810790	460	810945	468	810994	468	812704	460	812922	468	813770	458	815262	473
810740	460	810791	460	810946	468	810995	468	812706	460	812924	468	813774	458	815263	473
810741	460	810792	460	810947	464	810996	468	812710	460	812926	468	813780	458	815265	473
810742	460	810793	460	810948	468	810998	468	812714	460	812932	468	813784	458	815266	473
810743	460	810794	460	810950	468	811000	458	812720	460	812936	468	813790	458	815267	473
810744	460	810795	460	810951	468	811704	458	812722	460	812940	468	813794	458	815269	473
810745	460	810796	460	810952	468	811705	458	812724	460	812942	468	815202	473	815272	473

index

815273	473	819620	470	891347	465	930512	554	935132	61	950080	477	950771	506	952261	418
815275	473	819630	470	891800	465	930536	554	935134	63	950100	507	950772	506	952263	430
815276	473	819650	470	891826	465	930537	554	935135	63	950212	504	950774	506	952271	418
815277	473	819660	470	891847	465	930540	554	935136	61	950247	504	950775	506	952410	418
815279	473	819670	470	891900	465	930541	554	935137	63	950700	506	950776	506	952510	418
815299	461	819680	470	891910	455	930543	556	935138	63	950701	506	950780	506	952610	418
815326	461	819681	470	892000	465	930544	552	935154	63	950702	506	950781	506	952710	418
819090	462	819682	470	892100	465	930545	552	935155	63	950704	506	950782	506	952800	418
819095	462	819683	470	892110	455	930546	552	935157	63	950705	506	950784	506	952813	430
819211	462	819690	470	892200	465	930547	552	935158	63	950706	506	950785	506	952900	434
819216	462	819710	470	892326	465	930549	552	935160	61	950720	506	950786	506	952901	434
819221	462	819720	470	892330	465	930550	556	935161	61	950721	506	950790	506	952902	434
819226	462	819730	470	892347	465	930553	556	935162	61	950722	506	950791	506	952903	434
819231	462	819750	470	892426	465	930556	556	935166	61	950724	506	950792	506	952905	425
819236	462	819760	470	892430	465	930557	556	935230	61	950725	506	950794	506	954012	442
819251	462	819770	470	892447	465	930558	556	935231	61	950726	506	950795	506	954026	442
819256	462	819780	470	892526	465	930559	556	935232	61	950730	506	950796	506	954047	442
819261	462	819781	470	892530	465	930560	554	935234	63	950731	506	952006	418	954212	442
819266	462	819782	470	892547	465	930561	554	935235	63	950732	506	952012	424	954226	442
819271	462	819783	470	892630	454	930562	555	935236	61	950734	506	952026	424	954247	442
819276	462	819790	470	892631	454	930565	552	935237	63	950735	506	952035	434	954312	442
819280	462	840026	454	894412	465	930573	554	935238	63	950736	506	952040	425	954326	442
819281	462	840047	454	894426	465	930578	560	935254	63	950740	506	952041	425	954347	442
819282	462	840226	454	894447	465	930579	554	935255	63	950741	506	952042	425	954905	443
819283	462	840247	454	894512	465	930581	554	935257	63	950742	506	952047	424	955012	438
819285	462	860106	510	894526	465	930582	560	935258	63	950744	506	952060	425	955026	438
819286	462	860107	510	894547	465	930585	556	935260	61	950745	506	952070	425	955047	438
819287	462	860112	510	894900	454	930587	560	935261	61	950746	506	952080	425	955212	438
819288	462	860126	510	895026	511	930588	552	935262	61	950750	506	952090	425	955213	438
819410	462	860147	510	895030	504	930591	554	935266	61	950751	506	952210	447	955226	438
819420	462	890826	465	895047	504	930650	558	935830	61	950752	506	952211	418	955227	438
819430	462	890847	465	895126	511	930651	558	935930	61	950754	506	952212	424	955247	438
819450	462	890926	465	895130	504	930652	562	944007	425	950755	506	952213	430	955248	438
819460	462	890947	465	895147	504	930653	562	944009	425	950756	506	952221	418	957026	418
819470	462	891026	465	895226	511	930705	560	944011	425	950760	506	952223	430	957047	418
819480	462	891047	465	895230	504	930706	554	944012	425	950761	506	952226	424	957060	419
819481	462	891126	465	895247	504	932100	560	950012	504	950762	506	952231	418	957070	419
819482	462	891147	465	930000	554	932589	560	950047	504	950764	506	952235	434	957080	419
819483	462	891226	465	930001	554	932590	560	950055	504	950765	506	952247	424	957090	419
819490	462	891247	465	930510	554	935130	61	950060	505	950766	506	952251	418	957226	418
819610	470	891326	465	930511	554	935131	61	950070	477	950770	506	952253	430	957247	418

BY REFERENCE

index

957905	419	960320	411	970247	510	971675	512	971754	512	972447	516	TR0247	522
958010	548	960325	411	971600	512	971676	512	971755	512	972457	516	TR0326	522
958020	548	960330	411	971601	512	971680	512	971756	512	979003	510	TR0347	522
958030	548	960335	411	971602	512	971681	512	971760	512	979026	510	TR0526	522
958040	548	960340	411	971604	512	971682	512	971761	512	979047	510	TR0547	522
958050	548	960345	411	971605	512	971684	512	971762	512	979100	490	TR0626	522
958060	548	960400	411	971606	512	971685	512	971764	512	979200	491	TR0647	522
959003	504	960405	411	971620	512	971686	512	971765	512	979210	491	TR0726	522
959047	504	960410	411	971621	512	971690	512	971766	512	979300	491	TR0747	522
960006	412	960415	411	971622	512	971691	512	971770	512	979310	491	TR0826	522
960012	408	960420	411	971624	512	971692	512	971771	512	979400	491	TR0847	522
960026	408	960425	411	971625	512	971694	512	971772	512	979410	491	TR0926	522
960047	408	960430	411	971626	512	971695	512	971774	512	980207	448	TR0947	522
960050	408	960435	411	971630	512	971696	512	971775	512	980212	448	TR1026	522
960100	411	960440	411	971631	512	971700	512	971776	512	981012	448	TR1047	522
960105	411	960445	411	971632	512	971701	512	971780	512	981047	448	TR1126	522
960110	411	960500	411	971633	512	971702	512	971781	512	981145	448	TR1147	522
960112	408	960505	411	971634	512	971704	512	971782	512	981155	448	TR1226	522
960115	411	960510	411	971635	512	971705	512	971784	512	981165	448	TR1247	522
960120	411	960515	411	971636	512	971706	512	971785	512	981170	448	TR1301	522
960125	411	960520	411	971640	512	971720	512	971786	512	981172	448	TR1302	522
960126	408	960525	411	971641	512	971721	512	971790	512	981173	448	TR1303	522
960130	411	960530	411	971642	512	971722	512	971791	512	981174	448	TR1304	522
960135	411	960535	411	971644	512	971724	512	971792	512	981175	448	TR1305	522
960140	411	960540	411	971645	512	971725	512	971794	512	981179	448	TR1306	522
960145	411	960545	411	971646	512	971726	512	971795	512	981185	448	TR1426	522
960147	408	960600	411	971650	512	971730	512	971796	512	981195	448	TR1447	522
960200	411	960605	411	971651	512	971731	512	972026	516	988100	448	TR1526	522
960205	411	960610	411	971652	512	971732	512	972036	516	988200	449	TR1547	522
960210	411	960615	411	971654	512	971734	512	972047	516	988210	449	TR1626	522
960215	411	960620	411	971655	512	971735	512	972057	516	988300	449	TR1647	522
960220	411	960625	411	971656	512	971736	512	972226	516	988310	449	TR1726	522
960225	411	960630	411	971660	512	971740	512	972236	516	988400	449	TR1747	522
960230	411	960635	411	971661	512	971741	512	972247	516	988410	449		
960235	411	960640	411	971662	512	971742	512	972257	516	988500	449		
960240	411	960645	411	971664	512	971744	512	972326	516	988600	449		
960245	411	970012	510	971665	512	971745	512	972336	516	988700	449		
960300	411	970026	510	971666	512	971746	512	972347	516	988900	449		
960305	411	970047	510	971670	512	971750	512	972357	516	TR0126	522		
960310	411	970212	510	971671	512	971751	512	972426	516	TR0147	522		
960315	411	970226	510	971672	512	971752	512	972436	516	TR0226	522		
				971674	512								