

BRANDVAN
® **EGMOND**



2018

Brand van Egmond

Every year we at BRAND VAN EGMOND strive to use all our knowledge and experience in order to create some of the most astounding lighting sculptures.

We are constantly inspired by the world around us, the people we meet and the beautiful projects we are invited to be part of. In return, we are frequently asked to translate unique lighting wishes into handcrafted reality. Partners like Louis Vuitton, Chopard and the Four Seasons Hotels invited BRAND VAN EGMOND to create tailor-made lighting solutions for their spaces. We welcome everybody who wants to see our designs, or would like personal advice from William Brand and his team, to our office and ateliers in Naarden, The Netherlands.

WILLIAM BRAND
BRAND VAN EGMOND TEAM



Louise

Design by William Brand

With almost carefree delight, William designed his latest collection: Louise. A simple frame, decorated in a pleasing rhythm with glass lanterns. A hint of chaos, never far away in designs from William Brand, is present: the different colours and positions of the glass lanterns have a joyful effect.

Standard the frame is available in burnished brass, and the lanterns in 4 different types of glass: bronze, clear satin, grey and iridescent.



LO4BRBUR - STANDARD

Standard Louise hanging lamp in brass burnished finish with a bronze, clear satin, grey and iridescent glass lantern (Ø60xH.78cm, brass burnished finish, 1x GLLOBRO22, 1x GLLOGREY22, 1x GLLOSAT22, 1x GLLIIRI22, 4 x E27, 14.0kg)



LO3BRBUR - STANDARD

Standard Louise hanging lamp in brass burnished finish with a clear satin, grey and iridescent glass lantern (Ø60xH.70cm, brass burnished finish, 1x GLLOGREY22, 1x GLLIIRI22, 1x GLLOSAT22, 3 x E27, 11.5kg)



LO4BRBUR - STANDARD

Standard Louise hanging lamp in brass burnished finish with a bronze, clear satin, grey and iridescent glass lantern
(Ø60xH.78cm, brass burnished finish, 1x GLLOBRO22 ,1x GLLOGREY22,1x GLLOSAT22, 1x GLLIIRI22, 4 x E27, 14.0kg)



LO5BRBUR - STANDARD

Standard Louise hanging lamp in brass burnished finish with a bronze, clear satin, grey and iridescent glass lantern
(Ø60xH.105cm, brass burnished finish, 1x GLLOBRO22 ,1x GLLOGREY22, 2x GLLOSAT22, 1x GLLIIRI22, 5 x E27, 18.0kg)



LO8RRBUR - STANDARD

Standard Louise hanging lamp in brass burnished finish with a bronze, clear satin, grey and iridescent glass lantern
(Ø60xH.205cm, brass burnished finish, 2x GLOBRO22 ,2x GLOGREY22, 2x GLOSAT22, 2x GLOIRI22, 8 x E27, 28.0kg)



Louise

Design by William Brand

Standard the frame is available in burnished brass, and the lanterns in 4 different types of glass: bronze, clear satin, grey and iridescent.



LO1BRBUR-GLLOSAT22

Louise hanging lamp in brass burnished finish, clear satin glass lantern (Ø60xH.36cm, brass burnished finish, 1x GLLOSAT22, 1 x E27, 2.4kg)



LO1BRBUR-GLLOGREY22

Louise hanging lamp in brass burnished finish, grey glass lantern (Ø60xH.36cm, brass burnished finish, 1x GLLOGREY22, 1 x E27, 2.4kg)



LO1BRBUR-GLLOBRO22

Louise hanging lamp in brass burnished finish, bronze glass lantern (Ø60xH.36cm, brass burnished finish, 1x GLLOBRO22, 1 x E27, 2.4kg)



LO1BRBUR-GLLOIRI22

Louise hanging lamp in brass burnished finish, iridescent glass lantern (Ø60xH.36cm, brass burnished finish, 1x GLLOIRI22, 1 x E27, 2.4kg)



LO1BRBUR-GLLOSAT22

Louise hanging lamp in brass burnished finish, clear satin glass lantern (Ø60xH.36cm, brass burnished finish, 1x GLLOSAT22, 1 x E27, 2.4kg)

Ersa

Design by William Brand

A cold breath of air whispers through the handcrafted branches of the newly formed sculptures. Small drops of dew act as nature's perfume. Arisen from the origins of last year's Ersa collection, several new lighting sculptures were born.

The new additions include a flirtatious Ersa floor lamp, as well as a striking Ersa ceiling light.



ERSAC100BRBUR-GLBRO

Ersa chandelier with bronze translucent glass spheres, Ø110x H.75 cm, brass burnished finish, 7 x E27, 23kg



ERSAC100N-GLCLE

Ersa chandelier with clear glass spheres, Ø110x H.75 cm, nickel finish, 7 x E27, 23kg



ERSAC100B-GLBRO

Ersa chandelier with bronze translucent glass spheres, Ø110x H.75 cm, bronze finish, 7 x E27, 23kg



ERSAC80BRBUR-GLIRI

Ersa chandelier with iridescent glass spheres, Ø80xH.65 cm, brass burnished finish, 5 x E27, 15kg



ERSAC80COP-GLIRI

Ersa chandelier with iridescent glass spheres, Ø80xH.65 cm, copper finish, 5 x E27, 15kg



ERSAC80BLM-GLCLE

Ersa chandelier with clear glass spheres, Ø80xH.65 cm, black matt finish, 5 x E27, 15kg



ERSA4BR-GLBRO

Ersa chandelier with bronze translucent glass spheres, L.80xW.55xH.50 cm, brass finish, 4 x E27, 11kg



ERSA4N-GLIRI

Ersa chandelier with iridescent glass spheres, L.80xW.55xH.50 cm, nickel finish, 4 x E27, 11kg



ERSA4BLM-GLIRI

Ersa chandelier with iridescent glass spheres, L.80xW.55xH.50 cm, black matt finish, 4 x E27, 11kg



ERSA4BLM-GLIRI

Ersa chandelier with glass iridescent spheres, L.80xW.55xH.50 cm, black matt finish, 4 x E27, 11kg



ERSAV110COP-GLCLE

Ersa suspension vertical with clear glass spheres, Ø60xH.110 cm, copper finish, 5 x E27, 15kg



ERSAV110BR-GLIRI

Ersa suspension vertical with iridescent glass spheres, Ø60xH.110 cm, brass finish, 5 x E27, 15kg



ERSAHL150N-GLCLE

Ersa hanging lamp long with clear glass spheres, L.155xW.45xH.35 cm, nickel finish, 5 x E27, 15kg



ERSAHL150N-GLCLE

Ersa hanging lamp long with clear glass spheres, L.155xW.45xH.35 cm, nickel finish, 5 x E27, 15kg



ERSA3BRBUR-GLBRO

Ersa element with bronze translucent glass spheres, L 65cm, H 60cm, D 55cm, brass burnished finish, 3 x E27, 10kg



ERSA3BRBUR-GLBRO

Ersa element with bronze translucent glass spheres, L 65cm, H 60cm, D 55cm, brass burnished finish, 3 x E27, 10kg

ERSA2N-GLIRI

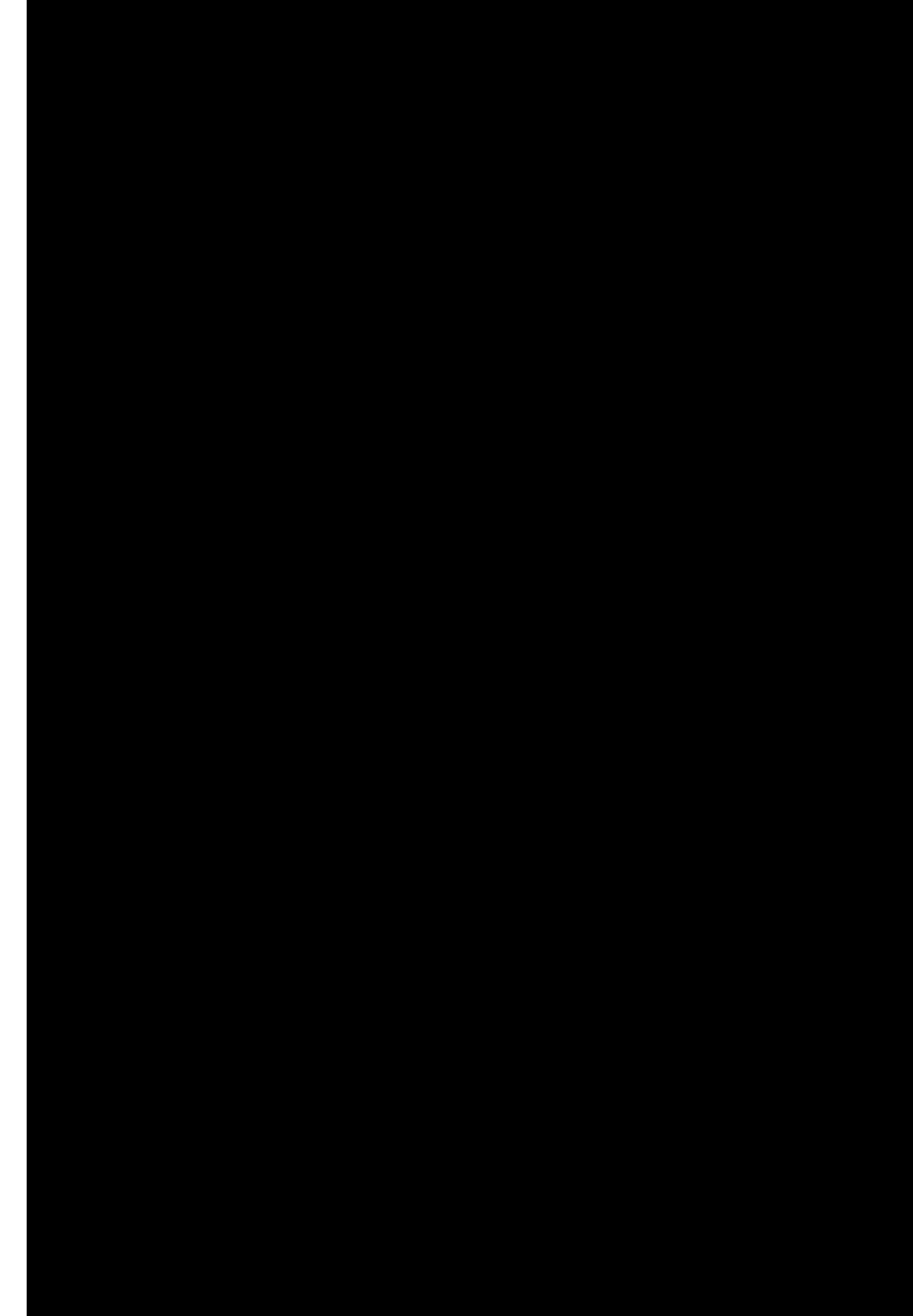
Special Ersa element with iridescent glass spheres, L 60cm, H 60cm, D 55cm, nickel finish, 2 x E27, 8kg

COMPOSITION OF 3X ERS2BR-GLIRI

Ersa element with iridescent glass spheres, L 60cm, H 60cm, D 55cm, brass finish, 2 x E27, 8kg

COMPOSITION OF 4X Ersa1BLM-GLIRI

Ersa element with iridescent glass sphere, L 30cm, H 50cm, D 30cm, black matt finish, 1 x E27, 6kg



ERSA1BLM-GLIRI

Ersa element with iridescent glass sphere, L 30cm, H 50cm, D 30cm, black matt finish, 1 x E27, 6kg



ERSACP80BRBUR-GLBRO

Ersa Ceiling Chandelier with bronze translucent glass spheres, Ø80xH.65 cm, brass aged finish, 5 x E27, 13kg



ERSACP80BRBUR-GLBRO

Ersa Ceiling Chandelier with bronze translucent glass spheres, Ø80xH.65 cm, brass aged finish, 5 x E27, 13kg



ERSAP60COP-GLIRI

Ersa Ceiling Lamp Round with iridescent glass spheres, Ø60xH.25 cm, copper finish, 3 x E27, 10kg



ERSAP60BR-GLBRO

Ersa Ceiling Lamp Round with bronze translucent glass spheres, Ø60xH.25 cm, brass finish, 3 x E27, 10kg



ERSAP60N-GLIRI

Ersa Ceiling Lamp Round with iridescent glass spheres, Ø60xH.25 cm, nickel finish, 3 x E27, 10kg



ERSAHL150N-GLCLE

Ersa hanging lamp long with clear glass spheres, L.155xW.45xH.35 cm, nickel finish, 5 x E27, 15kg

ERSAF200N-GLIRI

Ersa floor lamp with iridescent glass spheres, Ø40xH.205cm, nickel finish, 3 x E27, 24kg



ERSAF200BRBUR-GLBRO

Ersa floor lamp with bronze translucent glass spheres, Ø40xH.205cm, brass burnished finish, 3 x E27, 24kg



ERSAT50BRBUR-GLBRO

Ersa table lamp with bronze translucent glass spheres, Ø50xH.80 cm, brass burnished finish, 2 x E27, 12kg



ERSAW30N-GLIRI

Ersa wall lamp with clear glass spheres, W.30xH.45xD.29 cm, nickel finish, 1 x E27, 4kg

Edison's Tail

Design by William Brand

Unadorned yet full of energy, contemporary and elegant: Edison's Tail moves freely through space and reveals that bringing light and vitality can go hand in hand.

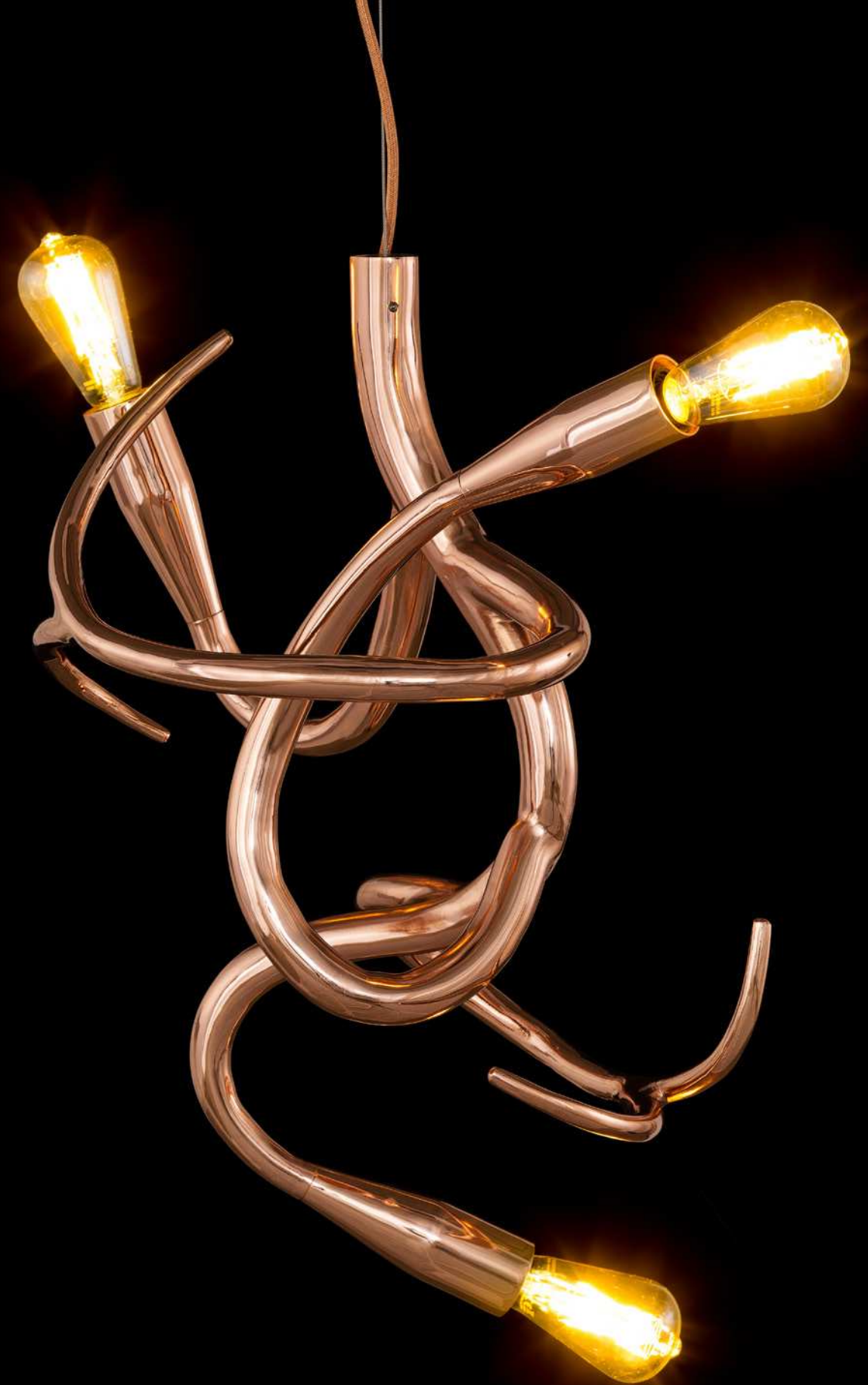
Introduced successfully by the inventor Thomas Edison, the light bulb is - more than in any other collection - an integral part of the overall design. The spirited and energetic shape of Edison's Tail is evocative of the initial burst of life when a seed opens and through the cracks the first green shoots appear.

To see this exact moment, is to see a wonder in the making. To capture this moment, is what Edison's Tail attempts.



ED10N

Edison's Tail element, L 30cm, H 45cm, D 30cm, nickel finish, 1 x E27, 2,5kg



ED3COP

Edison's Tail element, L 45cm, H 50cm, D 40cm, copper finish, 3 x E27, 8kg



COMPOSITION OF 2X ED1QBR, 1X ED3BR, 2X ED5BR

Edison's Tail elements in brass finish



ED2BLM

Edison's Tail element, L 45cm, H 50cm, D 40cm, black matt finish, 2 x E27, 5kg



COMPOSITION OF 4X ED1QBRBUR, 2X ED1ZBRBUR, 1X ED5BRBUR
Edison's Tail elements in brass burnished finish

Shiro

Design by William Brand

By means of the deduction of every unnecessary layer of decoration, a calmness of mind appears allowing for a new collection to be born. The Shiro – Japanese for castle - is the result of a journey of deconstruction.

Stripped of all but the bare yet beautiful essentials, this new collection permits for a well composed equilibrium.

It allows serenity to triumph over chaos.



SHSR100BRBUR

Shiro suspension ring, Ø 115cm, H 33cm, brass burnished finish, 18 x E14, 23kg



SHSR100BRBUR

Shiro suspension ring, Ø 115cm, H 33cm, brass burnished finish, 18 x E14, 23kg



SHSV200BRBUR

Shiro suspension vertical, Ø 22cm, H 210cm, brass burnished finish, 12 x E14, 22kg

COMPOSITION OF 2XSHSV70BRBUR

Shiro suspension vertical, Ø 22cm, H 80cm, brass burnished finish, 6 x E14, 8kg



SHSH150BRBUR

Shiro suspension horizontal, L 150cm, H 33cm, W 25cm, brass burnished finish, 14 x E14, 18kg

SHW34BRBUR

Shiro wall lamp, W.12xH.34xD.9 cm, brass burnished finish, 1 x E14, 2kg

Kelp Fortuna

Design by William Brand

Overwhelmed by the warm reception the Kelp collection received, William Brand was intrigued to experiment further and sought to add new elements.

The grand icicles, blown and pulled at the same time by our glassblowers, add a striking monumental facet to the frivolously shaped Kelp. To be able to create icicles of this quality and size demanded rigorous experimenting and exploration of new techniques. As the 16th century Florentine diplomat and poet Machiavelli wrote, 'It's better to be adventurous than cautious, as Fortuna is a woman'.

KEF90BR

Kelp Fortuna element, Ø 90cm, H 195cm, brass finish, 3 x E27, 35kg

KEF90BR

Kelp Fortuna element, Ø 90cm, H 195cm, brass finish, 3 x E27, 35kg

KEF90COP

Kelp Fortuna element, Ø 90cm, H 195cm, copper finish, 3 x E27, 35kg



KEF90WM

Kelp Fortuna element, Ø 90cm, H 195cm, white matt finish, 3 x E27, 35kg



KEF60BRBUR
Kelp Fortuna element, Ø 60cm, H 120cm, brass burnished finish, 3 x E27, 25kg



KEF60BRBUR
Kelp Fortuna element, Ø 60cm, H 120cm, brass burnished finish, 3 x E27, 25kg



KEF90BLM

Kelp Fortuna element, Ø 90cm, H 195cm, black matt finish, 3 x E27, 35kg



KEF60BLM

Kelp Fortuna element, Ø 60cm, H 120cm, black matt finish, 3 x E27, 25kg



KEF40ST
Kelp Fortuna element, Ø 40cm, H 105cm, stainless steel, 1 x E27, 14kg



COMPOSITION OF 3X KEF40ST
Kelp Fortuna element, Ø 40cm, H 105cm, stainless steel, 1 x E27, 14kg

Flintstone

Design by William Brand

Retracing our steps through the millennia to the beginning of times, we find ourselves back at the fireplace in the prehistoric cave. Here we realise that the most primal of our needs are safety and warmth. The tree branch and the stone, found at the end of this journey back in time, are combined in this lighting object. Every stone is unique, and captures the emotion of eternity as well as being used as a functional counterweight.

The branch of the Flintstone is flexible, allowing the light to be adjusted and easily moved through space. The length of the branch can be ordered in different sizes.

The finishes are either in black, white, high gloss nickel or brass burnished.

Possible length of the branch is: 70 cm, 100 cm, 130 cm, 160 cm, 190 cm, 210 cm or 240 cm.



FLINTF160BRBUR

Flintstone floor lamp, L 160cm, W 40cm, H 235cm,
brass burnished finish, 1 x E27, 40kg



FLINTF70BLM

Flintstone floor lamp, L 70cm, W 40cm, H 235cm, black matt finish, 1 x E27, 40kg



SPFLINTF160BR

Special Flintstone floor lamp, L 160cm, W 40cm, H 235cm, brass finish, 1 x E27, 40kg



Eve

Design by William Brand

To be human, is to be aware that there are forces greater than ourselves. From the majestic power of nature, until the longings deep within our soul.

With an elegant twist, although with an undeniable force behind it, the new Eve is crafted. The fruit she carries is tempting.... will the apple be eaten, or not?



EVEC100N

Eve chandelier round, Ø 100 cm, H 60 cm, nickel finish, 14 x E14, 13 kg



EVEOC140COP

Eve chandelier oval, L 140 cm, W 60 cm, H 60 cm, copper finish, 12 x E14, 18 kg



EVECC70B-LGBR

Eve chandelier conical, Ø 70 cm, H 80 cm, bronze with light globes in brass finish, 12 x E14, 16 kg

Eve Icicles

Design by William Brand

Combining the Eve with the time honoured tradition of hand-blown glass: the Eve Icicles has been created.

Eve Icicles can be customised to any dimension, allowing for a tailor-made lighting sculpture for your space.



EVECCGL160N

Chandelier conical glass, Ø60xH.160 cm, nickel finish, 14 x E14, 36 kg



EVECCGL160N

Chandelier conical glass, Ø60xH.160 cm, nickel finish, 14 x E14, 36 kg

Fractal Cloud

Design by William Brand

Available in 55 cm and 70 cm, carrying 3 lights inside.

Finishes in stainless steel, brass,
brass burnished, brass grinded, bronze,
black matt and white matt.



FRACHR55BRG

Fractal Cloud hanging lamp, Ø 55cm, H 60cm, 3 x E27, brass grinded finish, 13kg



FRACHR55BR

Fractal Cloud hanging lamp, Ø 55cm, H 60cm, 3 x E27, brass finish, 13kg



FRACHR55BRG

Fractal Cloud hanging lamp, Ø 55cm, H 60cm,
3 x E27, brass grinded finish, 13kg

FRACHR55BLM

Fractal Cloud hanging lamp, Ø 55cm, H 60cm,
3 x E27, black matt finish, 13kg

FRACHR55ST

Fractal Cloud hanging lamp, Ø 55cm, H 60cm,
3 x E27, stainless steel, 13kg

Fractal

Design by William Brand

Our brains are set up to bring order in chaos, find logic in confusion and recognise patterns in the opaque.

However, what to make of the puzzle of the exact yet endless repetition found at times around us?

Fractal is a natural phenomenon as well as a mathematical set that exhibits a repeating pattern.

The organised chaos of the reflecting elements of the Fractal dispenses the light beautifully in all directions.

The finishes are in stainless steel, brass grinded, bronze, black matt and white matt.



FRACC100BRG

Fractal chandelier round, Ø 100cm, H 45cm, 12 x E14, brass grinded finish, 27 kg



FRACC100BRG

Fractal chandelier round, Ø 100cm, H 45cm, 12 x E14, brass grinded finish, 27 kg



FRACC100ST

Fractal chandelier round, Ø 100cm, H 45cm, 12 x E14, stainless steel, 27 kg



FRACC80BLM

Fractal chandelier round, Ø 80cm, H 35cm, 10 x E14, black matt finish, 19 kg





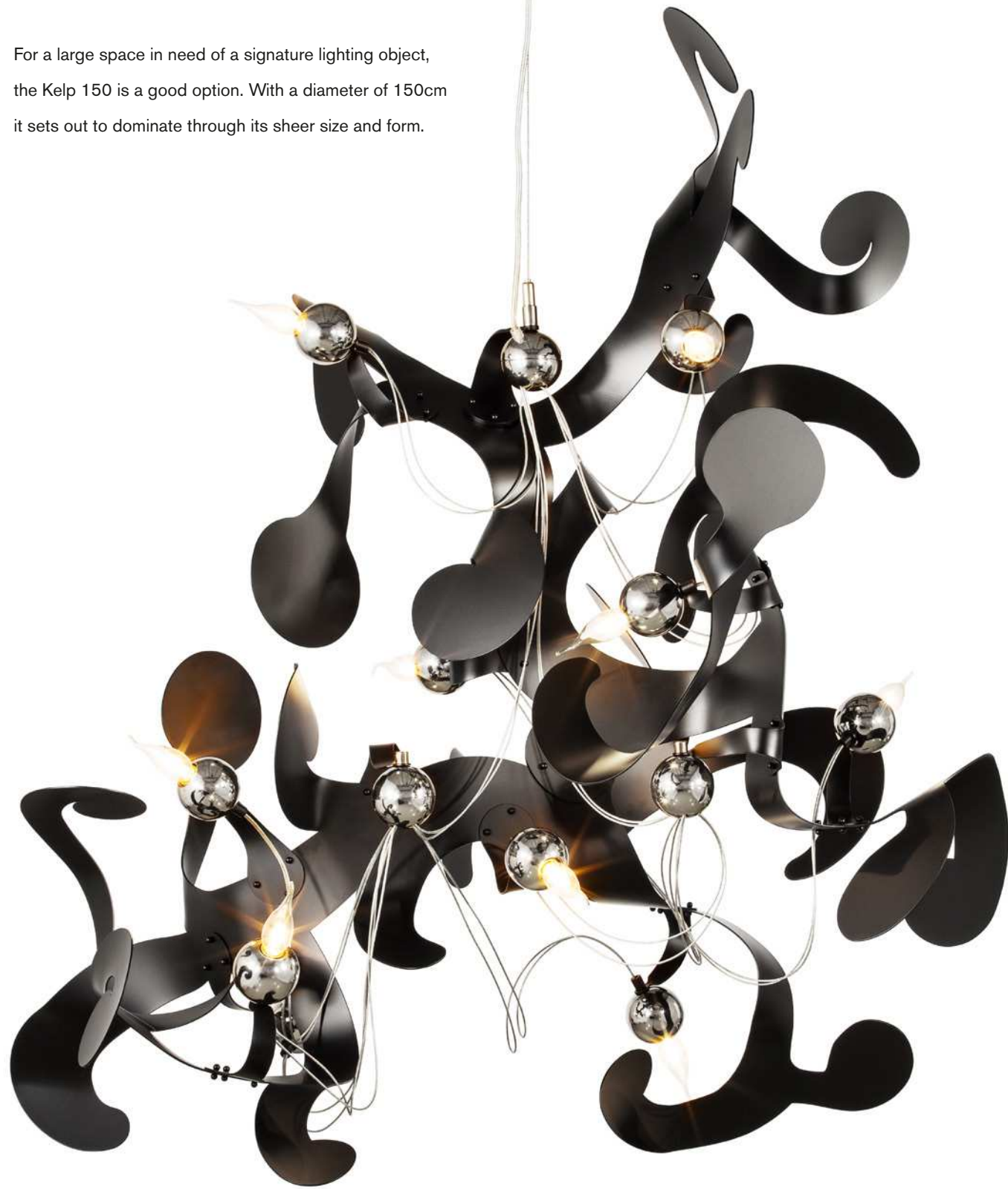
100KELPBRA

Kelp element, L 80 cm, W 100 cm, H 80 cm, 5 x E14, brass aged finish, 15 kg

Kelp 150

Design by William Brand

For a large space in need of a signature lighting object, the Kelp 150 is a good option. With a diameter of 150cm it sets out to dominate through its sheer size and form.



150KELPBLM-LGST

Kelp element, L 150 cm, W 150 cm, H 150 cm, 10x E14, black matt finish with stainless steel light globes, 25kg





50KELPBLM

Kelp element, L 40 cm, W 40 cm,
H 50 cm, 1x E14, black matt finish, 2kg



50KELPWM

Kelp element, L 40 cm, W 40 cm,
H 50 cm, 1x E14, white matt finish, 2kg



50KELPBRG

Kelp element, L 40 cm, W 40 cm,
H 50 cm, 1x E14, brass grinded, finish, 2kg



50KELPBR

Kelp element, L 40 cm, W 40 cm,
H 50 cm, 1x E14, brass finish, 2kg



50KELPBRA

Kelp element, L 40 cm, W 40 cm,
H 50 cm, 1x E14, brass aged finish, 2kg



William Brand

designer / owner

William Brand (Owner/Designer) graduated at the University of the Arts in Utrecht, The Netherlands as an architect and sculptor.

As an award-winning furniture designer he for many years designed buildings and interiors for fashion brands, including the headquarters of BRAND VAN EGMOND. His interior designs are always minimalist, in contrast to his lighting designs which have a powerful sculptural presence. He considers his lighting objects to be "the cherry on the cake". His way of working is quite specific. Immediately after defining the concept he starts working in the workshop like a sculptor; experimenting and crafting while having the object grow in his hands, often with unexpected results. Therefore the journey is just as exciting and important as the destination.





Architects and other co-creatives are invited to discover the endless possibilities of customising our lighting sculptures.

We hope to inspire you through the different colours and forms of various compositions, just as we enjoy being stimulated by your requests. William Brand's background in architecture gives him the insight to fully understand the demands and challenges of your work. Combined with his experience he is the perfect partner to translate your needs into handcrafted reality.

For our clients we not only customise to different dimensions, but also in different finishes: allowing for a truly personal lighting sculpture to be created.

The possibilities with our lighting sculptures are, in fact, limitless.

We would like to show some of the new possibilities.

Optional finishes



008

Bronze finish



013

Copper finish



018

Nickel aged finish



012

Brass aged finish



017

Brass grinded finish



010

Brass finish



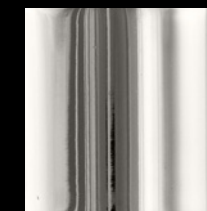
002

Black matt finish



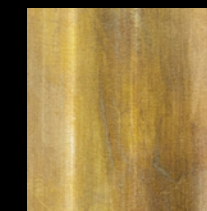
004

White matt finish



001

Nickel finish



019

Brass burnished finish

Technical information

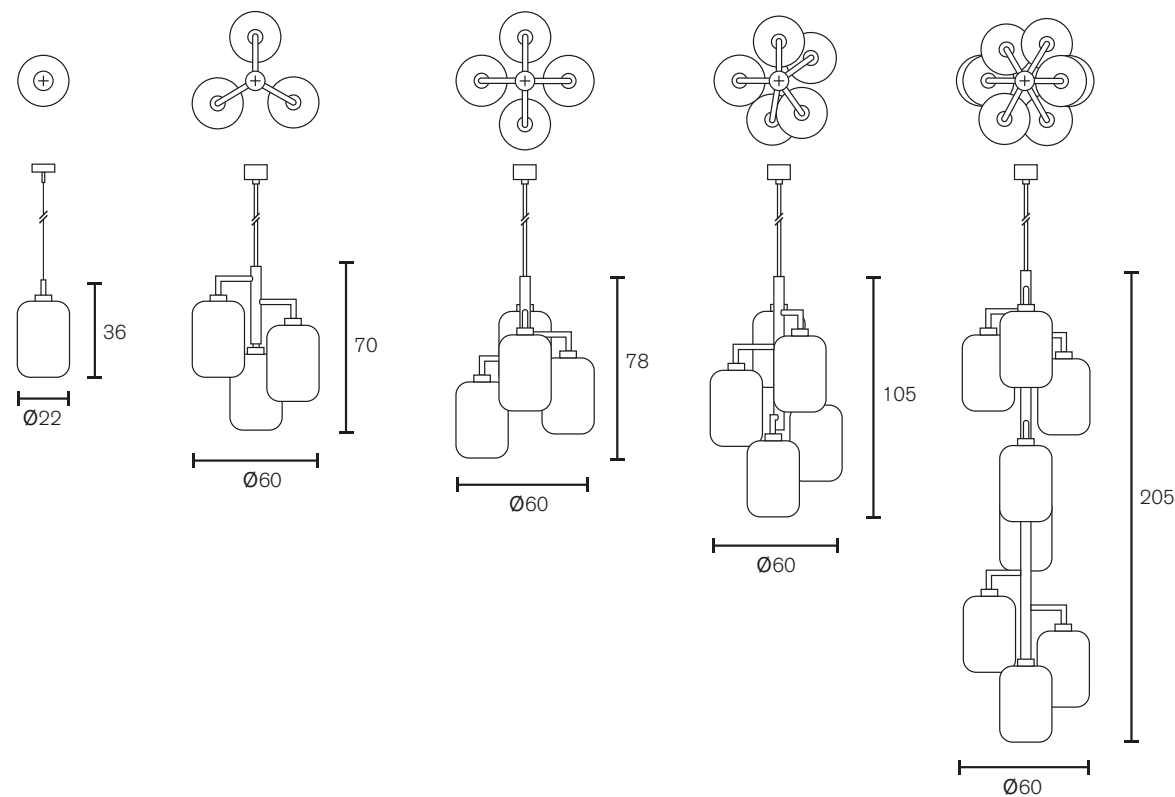
Collection Louise 2018

Hanging Lamp

Art.nr.	Dimensions	Light bulb	Weight	Finish
LO1BRBUR	Ø22xH.36 cm	1x E27	2,4 kg	brass burnished finish
LO3BRBUR	Ø60xH.70 cm	3x E27	11,5 kg	brass burnished finish
LO4BRBUR	Ø60xH.78 cm	4x E27	14,0 kg	brass burnished finish
LO5BRBUR	Ø60xH.105 cm	5x E27	18,0 kg	brass burnished finish
LO8BRBUR	Ø60xH.205 cm	8x E27	28,0 kg	brass burnished finish

Lanterns

Art.nr.	Finish
GLLOBR022	Louise, Glass Bronze Ø22cm
GLLOGREY22	Louise, Glass Grey Ø22cm
GLLOIRI22	Louise, Glass Iridescent Ø22cm
GLLOSAT22	Louise, Glass Clear Satin Ø22cm



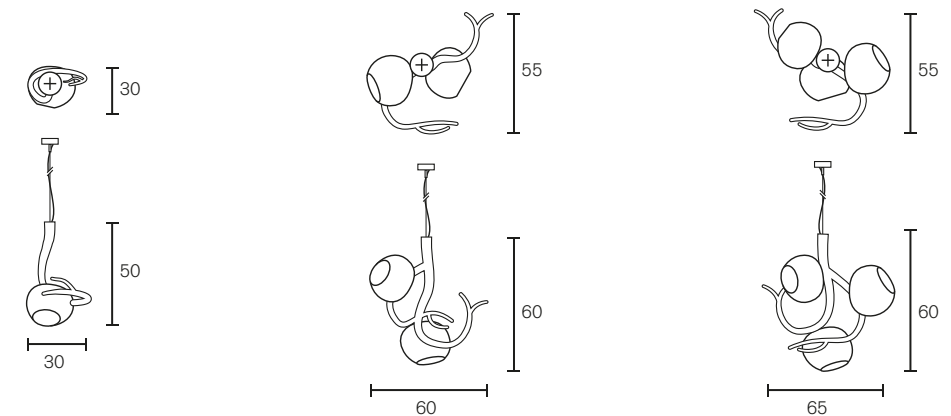
Standard the frame is available in burnished brass, and the lanterns in 4 different types of glass: bronze, clear satin, grey and iridescent.

Technical information

Collection Ersa 2017

Element

Art.nr.	Dimensions	Light bulb	Weight	Finish
ERSA1BLM-GLIRI	L.30xH.50xD.30 cm	1x E27	6,0 kg	black matt finish, glass sphere iridescent
ERSA1WM-GLIRI	L.30xH.50xD.30 cm	1x E27	6,0 kg	white matt finish, glass sphere iridescent
ERSA1B-GLIRI	L.30xH.50xD.30 cm	1x E27	6,0 kg	bronze finish, glass sphere iridescent
ERSA1N-GLIRI	L.30xH.50xD.30 cm	1x E27	6,0 kg	nickel finish, glass sphere iridescent
ERSA1BR-GLIRI	L.30xH.50xD.30 cm	1x E27	6,0 kg	brass finish, glass sphere iridescent
ERSA1BRA-GLIRI	L.30xH.50xD.30 cm	1x E27	6,0 kg	brass aged finish, glass sphere iridescent
ERSA1BRBUR-GLIRI	L.30xH.50xD.30 cm	1x E27	6,0 kg	brass burnished finish, glass sphere iridescent
ERSA1COP-GLIRI	L.30xH.50xD.30 cm	1x E27	6,0 kg	copper finish, glass sphere iridescent
ERSA2BLM-GLIRI	L.60xH.60xD.55 cm	2x E27	8,0 kg	black matt finish, glass sphere iridescent
ERSA2WM-GLIRI	L.60xH.60xD.55 cm	2x E27	8,0 kg	white matt finish, glass sphere iridescent
ERSA2B-GLIRI	L.60xH.60xD.55 cm	2x E27	8,0 kg	bronze finish, glass sphere iridescent
ERSA2N-GLIRI	L.60xH.60xD.55 cm	2x E27	8,0 kg	nickel finish, glass sphere iridescent
ERSA2BR-GLIRI	L.60xH.60xD.55 cm	2x E27	8,0 kg	brass finish, glass sphere iridescent
ERSA2BRA-GLIRI	L.60xH.60xD.55 cm	2x E27	8,0 kg	brass aged finish, glass sphere iridescent
ERSA2BRBUR-GLIRI	L.60xH.60xD.55 cm	2x E27	8,0 kg	brass burnished finish, glass sphere iridescent
ERSA2COP-GLIRI	L.60xH.60xD.55 cm	2x E27	8,0 kg	copper finish, glass sphere iridescent
ERSA3BLM-GLIRI	L.65xH.60xD.55 cm	3x E27	10,0 kg	black matt finish, glass sphere iridescent
ERSA3WM-GLIRI	L.65xH.60xD.55 cm	3x E27	10,0 kg	white matt finish, glass sphere iridescent
ERSA3B-GLIRI	L.65xH.60xD.55 cm	3x E27	10,0 kg	bronze finish, glass sphere iridescent
ERSA3N-GLIRI	L.65xH.60xD.55 cm	3x E27	10,0 kg	nickel finish, glass sphere iridescent
ERSA3BR-GLIRI	L.65xH.60xD.55 cm	3x E27	10,0 kg	brass finish, glass sphere iridescent
ERSA3BRA-GLIRI	L.65xH.60xD.55 cm	3x E27	10,0 kg	brass aged finish, glass sphere iridescent
ERSA3BRBUR-GLIRI	L.65xH.60xD.55 cm	3x E27	10,0 kg	brass burnished finish, glass sphere iridescent
ERSA3COP-GLIRI	L.65xH.60xD.55 cm	3x E27	10,0 kg	copper finish, glass sphere iridescent



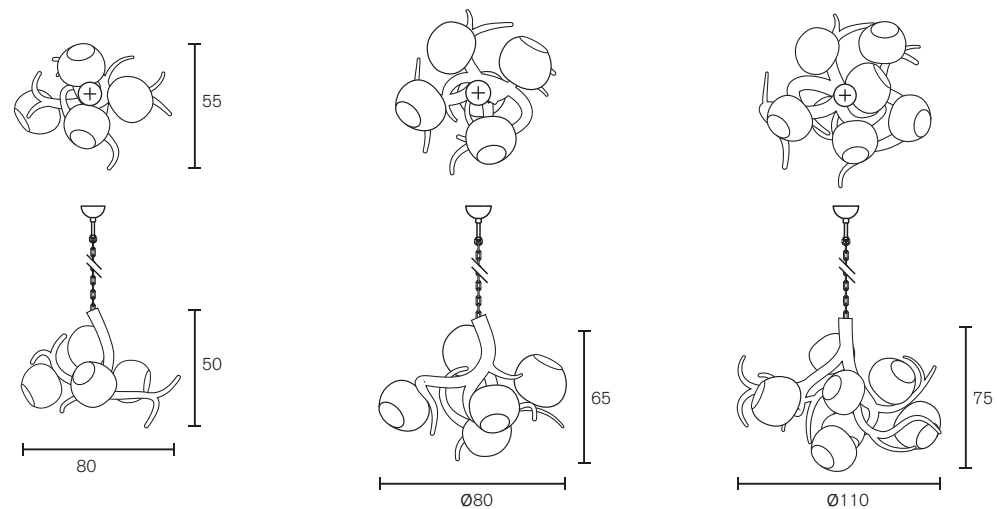
Standard the ERSA will be delivered with iridescent glass spheres. Other options are bronze translucent or clear glass spheres.

Technical information

Collection Ersa 2018

Chandelier

Art.nr.	Dimensions	Light bulb	Weight	Finish
ERSA4BLM-GLIRI	L.80xW.55xH.50 cm	4x E27	11,0 kg	black matt finish, glass sphere iridescent
ERSA4WM-GLIRI	L.80xW.55xH.50 cm	4x E27	11,0 kg	white matt finish, glass sphere iridescent
ERSA4B-GLIRI	L.80xW.55xH.50 cm	4x E27	11,0 kg	bronze finish, glass sphere iridescent
ERSA4N-GLIRI	L.80xW.55xH.50 cm	4x E27	11,0 kg	nickel finish, glass sphere iridescent
ERSA4BR-GLIRI	L.80xW.55xH.50 cm	4x E27	11,0 kg	brass finish, glass sphere iridescent
ERSA4BRA-GLIRI	L.80xW.55xH.50 cm	4x E27	11,0 kg	brass aged finish, glass sphere iridescent
ERSA4BRBUR-GLIRI	L.80xW.55xH.50 cm	4x E27	11,0 kg	brass burnished finish, glass sphere iridescent
ERSA4COP-GLIRI	L.80xW.55xH.50 cm	4x E27	11,0 kg	copper finish, glass sphere iridescent
ERSAC80BLM-GLIRI	Ø80xH.65 cm	5x E27	15,0 kg	black matt finish, glass sphere iridescent
ERSAC80WM-GLIRI	Ø80xH.65 cm	5x E27	15,0 kg	white matt finish, glass sphere iridescent
ERSAC80B-GLIRI	Ø80xH.65 cm	5x E27	15,0 kg	bronze finish, glass sphere iridescent
ERSAC80N-GLIRI	Ø80xH.65 cm	5x E27	15,0 kg	nickel finish, glass sphere iridescent
ERSAC80BR-GLIRI	Ø80xH.65 cm	5x E27	15,0 kg	brass finish, glass sphere iridescent
ERSAC80BRA-GLIRI	Ø80xH.65 cm	5x E27	15,0 kg	brass aged finish, glass sphere iridescent
ERSAC80BRBUR-GLIRI	Ø80xH.65 cm	5x E27	15,0 kg	brass burnished finish, glass sphere iridescent
ERSAC80COP-GLIRI	Ø80xH.65 cm	5x E27	15,0 kg	copper finish, glass sphere iridescent
ERSAC100BLM-GLIRI	Ø110xH.75 cm	7x E27	23,0 kg	black matt finish, glass sphere iridescent
ERSAC100WM-GLIRI	Ø110xH.75 cm	7x E27	23,0 kg	white matt finish, glass sphere iridescent
ERSAC100B-GLIRI	Ø110xH.75 cm	7x E27	23,0 kg	bronze finish, glass sphere iridescent
ERSAC100N-GLIRI	Ø110xH.75 cm	7x E27	23,0 kg	nickel finish, glass sphere iridescent
ERSAC100BR-GLIRI	Ø110xH.75 cm	7x E27	23,0 kg	brass finish, glass sphere iridescent
ERSAC100BRA-GLIRI	Ø110xH.75 cm	7x E27	23,0 kg	brass aged finish, glass sphere iridescent
ERSAC100BRBUR-GLIRI	Ø110xH.75 cm	7x E27	23,0 kg	brass burnished finish, glass sphere iridescent
ERSAC100COP-GLIRI	Ø110xH.75 cm	7x E27	23,0 kg	copper finish, glass sphere iridescent



Standard the ERSA will be delivered with iridescent glass spheres. Other options are bronze translucent or clear glass spheres.

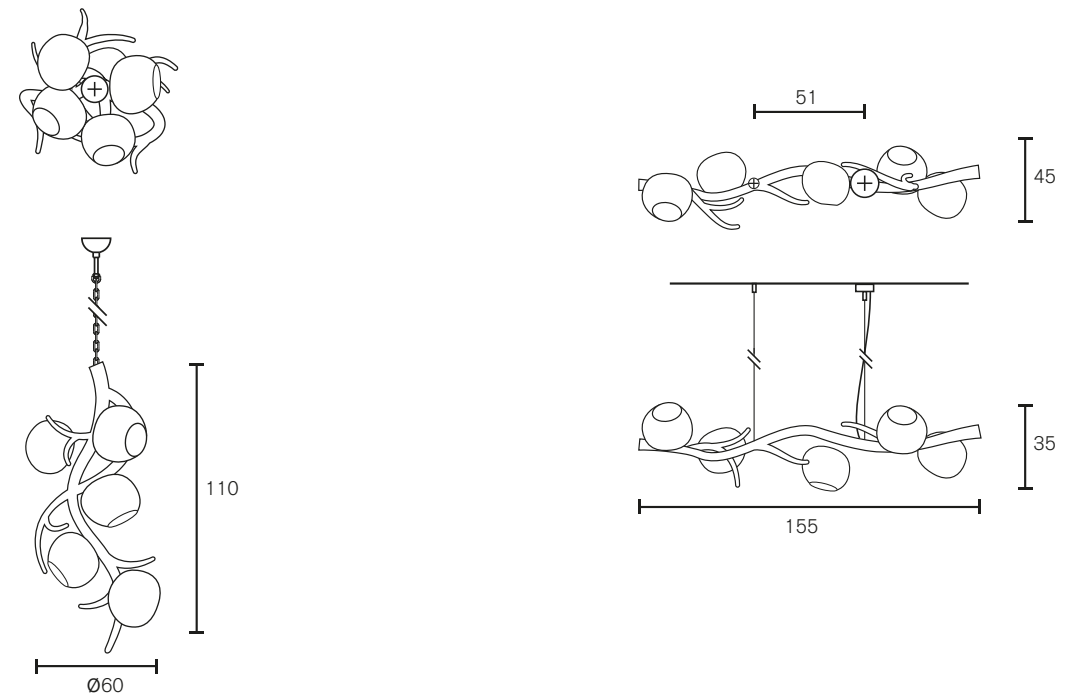
Technical information

Suspension Vertical

Art.nr.	Dimensions	Light bulb	Weight	Finish
ERSAV110BLM-GLIRI	Ø60xH.110 cm	5x E27	15,0 kg	black matt finish, glass sphere iridescent
ERSAV110WM-GLIRI	Ø60xH.110 cm	5x E27	15,0 kg	white matt finish, glass sphere iridescent
ERSAV110B-GLIRI	Ø60xH.110 cm	5x E27	15,0 kg	bronze finish, glass sphere iridescent
ERSAV110N-GLIRI	Ø60xH.110 cm	5x E27	15,0 kg	nickel finish, glass sphere iridescent
ERSAV110BR-GLIRI	Ø60xH.110 cm	5x E27	15,0 kg	brass finish, glass sphere iridescent
ERSAV110BRA-GLIRI	Ø60xH.110 cm	5x E27	15,0 kg	brass aged finish, glass sphere iridescent
ERSAV110BRBUR-GLIRI	Ø60xH.110 cm	5x E27	15,0 kg	brass burnished finish, glass sphere iridescent
ERSAV110COP-GLIRI	Ø60xH.110 cm	5x E27	15,0 kg	copper finish, glass sphere iridescent

Hanging Lamp Long

Art.nr.	Dimensions	Light bulb	Weight	Finish
ERSAHL150BLM-GLIRI	L.155xW.45xH.35 cm	5x E27	15,0 kg	black matt finish, glass sphere iridescent
ERSAHL150WM-GLIRI	L.155xW.45xH.35 cm	5x E27	15,0 kg	white matt finish, glass sphere iridescent
ERSAHL150B-GLIRI	L.155xW.45xH.35 cm	5x E27	15,0 kg	bronze finish, glass sphere iridescent
ERSAHL150N-GLIRI	L.155xW.45xH.35 cm	5x E27	15,0 kg	nickel finish, glass sphere iridescent
ERSAHL150BR-GLIRI	L.155xW.45xH.35 cm	5x E27	15,0 kg	brass finish, glass sphere iridescent
ERSAHL150BRA-GLIRI	L.155xW.45xH.35 cm	5x E27	15,0 kg	brass aged finish, glass sphere iridescent
ERSAHL150BRBUR-GLIRI	L.155xW.45xH.35 cm	5x E27	15,0 kg	brass burnished finish, glass sphere iridescent
ERSAHL150COP-GLIRI	L.155xW.45xH.35 cm	5x E27	15,0 kg	copper finish, glass sphere iridescent



Standard the ERSA will be delivered with iridescent glass spheres. Other options are bronze translucent or clear glass spheres.

Technical information

Collection Ersa 2018

Ceiling lamp

Art.nr.	Dimensions	Light bulb	Weight	Finish
ERSAP60BLM-GLIRI	Ø60xH.25 cm	3x E27	10,0 kg	black matt finish, glass sphere iridescent
ERSAP60WM-GLIRI	Ø60xH.25 cm	3x E27	10,0 kg	white matt finish, glass sphere iridescent
ERSAP60B-GLIRI	Ø60xH.25 cm	3x E27	10,0 kg	bronze finish, glass sphere iridescent
ERSAP60N-GLIRI	Ø60xH.25 cm	3x E27	10,0 kg	nickel finish, glass sphere iridescent
ERSAP60BR-GLIRI	Ø60xH.25 cm	3x E27	10,0 kg	brass finish, glass sphere iridescent
ERSAP60BRA-GLIRI	Ø60xH.25 cm	3x E27	10,0 kg	brass aged finish, glass sphere iridescent
ERSAP60BRBUR-GLIRI	Ø60xH.25 cm	3x E27	10,0 kg	brass burnished finish, glass sphere iridescent
ERSAP60COP-GLIRI	Ø60xH.25 cm	3x E27	10,0 kg	copper finish, glass sphere iridescent

Ceiling Chandelier

Art.nr.	Dimensions	Light bulb	Weight	Finish
ERSACP80BLM-GLIRI	Ø80xH.65 cm	5x E27	13,0 kg	black matt finish, glass sphere iridescent
ERSACP80WM-GLIRI	Ø80xH.65 cm	5x E27	13,0 kg	white matt finish, glass sphere iridescent
ERSACP80B-GLIRI	Ø80xH.65 cm	5x E27	13,0 kg	bronze finish, glass sphere iridescent
ERSACP80N-GLIRI	Ø80xH.65 cm	5x E27	13,0 kg	nickel finish, glass sphere iridescent
ERSACP80BR-GLIRI	Ø80xH.65 cm	5x E27	13,0 kg	brass finish, glass sphere iridescent
ERSACP80BRA-GLIRI	Ø80xH.65 cm	5x E27	13,0 kg	brass aged finish, glass sphere iridescent
ERSACP80BRBUR-GLIRI	Ø80xH.65 cm	5x E27	13,0 kg	brass burnished finish, glass sphere iridescent
ERSACP80COP-GLIRI	Ø80xH.65 cm	5x E27	13,0 kg	copper finish, glass sphere iridescent



Standard the ERSA will be delivered with iridescent glass spheres. Other options are bronze translucent or clear glass spheres.

Technical information

Floor lamp

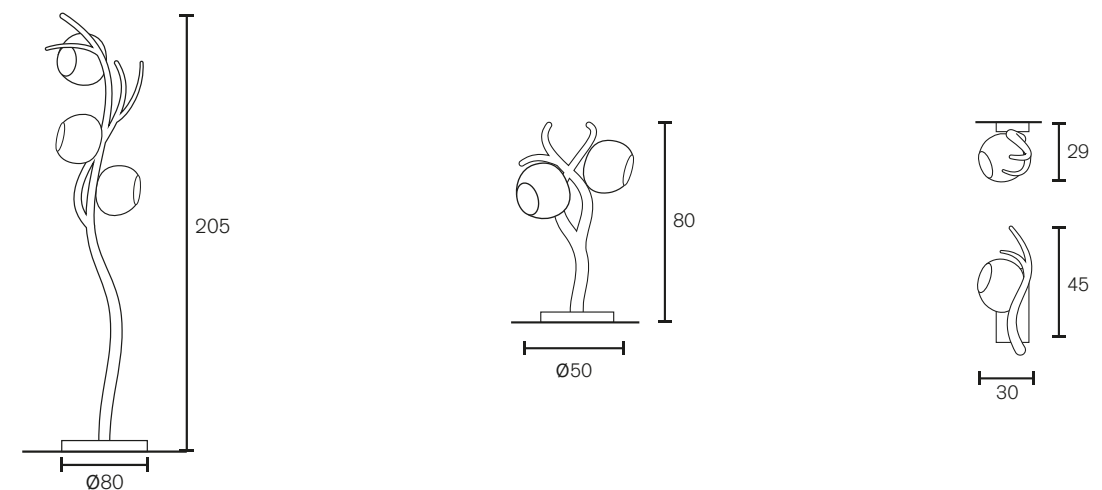
Art.nr.	Dimensions	Light bulb	Weight	Finish
ERSAF200BLM-GLIRI	Ø40xW.205x	3x E27	24,0 kg	black matt finish, glass sphere iridescent
ERSAF200WM-GLIRI	Ø40xW.205x	3x E27	24,0 kg	white matt finish, glass sphere iridescent
ERSAF200B-GLIRI	Ø40xW.205x	3x E27	24,0 kg	bronze finish, glass sphere iridescent
ERSAF200N-GLIRI	Ø40xW.205x	3x E27	24,0 kg	nickel finish, glass sphere iridescent
ERSAF200BR-GLIRI	Ø40xW.205x	3x E27	24,0 kg	brass finish, glass sphere iridescent
ERSAF200BRA-GLIRI	Ø40xW.205x	3x E27	24,0 kg	brass aged finish, glass sphere iridescent
ERSAF200BRBUR-GLIRI	Ø40xW.205x	3x E27	24,0 kg	brass burnished finish, glass sphere iridescent
ERSAF200COP-GLIRI	Ø40xW.205x	3x E27	24,0 kg	copper finish, glass sphere iridescent

Table lamp

Art.nr.	Dimensions	Light bulb	Weight	Finish
ERSAT50BLM-GLIRI	Ø50xH.80 cm	2x E27	12,0 kg	black matt finish, glass sphere iridescent
ERSAT50WM-GLIRI	Ø50xH.80 cm	2x E27	12,0 kg	white matt finish, glass sphere iridescent
ERSAT50B-GLIRI	Ø50xH.80 cm	2x E27	12,0 kg	bronze finish, glass sphere iridescent
ERSAT50N-GLIRI	Ø50xH.80 cm	2x E27	12,0 kg	nickel finish, glass sphere iridescent
ERSAT50BR-GLIRI	Ø50xH.80 cm	2x E27	12,0 kg	brass finish, glass sphere iridescent
ERSAT50BRA-GLIRI	Ø50xH.80 cm	2x E27	12,0 kg	brass aged finish, glass sphere iridescent
ERSAT50BRBUR-GLIRI	Ø50xH.80 cm	2x E27	12,0 kg	brass burnished finish, glass sphere iridescent
ERSAT50COP-GLIRI	Ø50xH.80 cm	2x E27	12,0 kg	copper finish, glass sphere iridescent

Wall lamp

Art.nr.	Dimensions	Light bulb	Weight	Finish
ERSAW30BLM-GLIRI	W.30xH.45xD.29 cm	1x E27	4,0 kg	black matt finish, glass sphere iridescent
ERSAW30WM-GLIRI	W.30xH.45xD.29 cm	1x E27	4,0 kg	white matt finish, glass sphere iridescent
ERSAW30B-GLIRI	W.30xH.45xD.29 cm	1x E27	4,0 kg	bronze finish, glass sphere iridescent
ERSAW30N-GLIRI	W.30xH.45xD.29 cm	1x E27	4,0 kg	nickel finish, glass sphere iridescent
ERSAW30BR-GLIRI	W.30xH.45xD.29 cm	1x E27	4,0 kg	brass finish, glass sphere iridescent
ERSAW30BRA-GLIRI	W.30xH.45xD.29 cm	1x E27	4,0 kg	brass aged finish, glass sphere iridescent
ERSAW30BRBUR-GLIRI	W.30xH.45xD.29 cm	1x E27	4,0 kg	brass burnished finish, glass sphere iridescent
ERSAW30COP-GLIRI	W.30xH.45xD.29 cm	1x E27	4,0 kg	copper finish, glass sphere iridescent



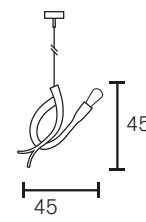
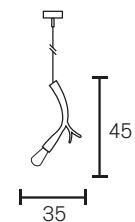
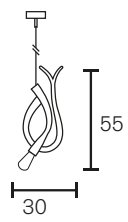
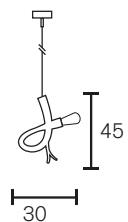
Standard the ERSA will be delivered with iridescent glass spheres. Other options are bronze translucent or clear glass spheres.

Technical information

Collection Edison's Tail 2017

Element

Art.nr.	Dimensions	Light bulb	Weight	Finish
ED1QBLM	L.30xH.45x D.30 cm	1x E27	2,5 kg	black matt finish
ED1QWM	L.30xH.45x D.30 cm	1x E27	2,5 kg	white matt finish
ED1QB	L.30xH.45x D.30 cm	1x E27	2,5 kg	bronze finish
ED1QN	L.30xH.45x D.30 cm	1x E27	2,5 kg	nickel finish
ED1QBR	L.30xH.45x D.30 cm	1x E27	2,5 kg	brass finish
ED1QBRA	L.30xH.45x D.30 cm	1x E27	2,5 kg	brass aged finish
ED1QBRBUR	L.30xH.45x D.30 cm	1x E27	2,5 kg	brass burnished finish
ED1QCOP	L.30xH.45x D.30 cm	1x E27	2,5 kg	copper finish
ED1XBLM	L.30xH.55x D.20 cm	1x E27	2,5 kg	black matt finish
ED1XWM	L.30xH.55x D.20 cm	1x E27	2,5 kg	white matt finish
ED1XB	L.30xH.55x D.20 cm	1x E27	2,5 kg	bronze finish
ED1XN	L.30xH.55x D.20 cm	1x E27	2,5 kg	nickel finish
ED1XBR	L.30xH.55x D.20 cm	1x E27	2,5 kg	brass finish
ED1XBRA	L.30xH.55x D.20 cm	1x E27	2,5 kg	brass aged finish
ED1XBRBUR	L.30xH.55x D.20 cm	1x E27	2,5 kg	brass burnished finish
ED1XCOP	L.30xH.55x D.20 cm	1x E27	2,5 kg	copper finish
ED1YBLM	L.35xH.45x D.20 cm	1x E27	2,5 kg	black matt finish
ED1YWM	L.35xH.45x D.20 cm	1x E27	2,5 kg	white matt finish
ED1YB	L.35xH.45x D.20 cm	1x E27	2,5 kg	bronze finish
ED1YN	L.35xH.45x D.20 cm	1x E27	2,5 kg	nickel finish
ED1YBR	L.35xH.45x D.20 cm	1x E27	2,5 kg	brass finish
ED1YBRA	L.35xH.45x D.20 cm	1x E27	2,5 kg	brass aged finish
ED1YBRBUR	L.35xH.45x D.20 cm	1x E27	2,5 kg	brass burnished finish
ED1YCOP	L.35xH.45x D.20 cm	1x E27	2,5 kg	copper finish
ED1ZBLM	L.45xH.45x D.20 cm	1x E27	2,5 kg	black matt finish
ED1ZWM	L.45xH.45x D.20 cm	1x E27	2,5 kg	white matt finish
ED1ZB	L.45xH.45x D.20 cm	1x E27	2,5 kg	bronze finish
ED1ZN	L.45xH.45x D.20 cm	1x E27	2,5 kg	nickel finish
ED1ZBR	L.45xH.45x D.20 cm	1x E27	2,5 kg	brass finish
ED1ZBRA	L.45xH.45x D.20 cm	1x E27	2,5 kg	brass aged finish
ED1ZBRBUR	L.45xH.45x D.20 cm	1x E27	2,5 kg	brass burnished finish
ED1ZCOP	L.45xH.45x D.20 cm	1x E27	2,5 kg	copper finish



ED1Q

ED1X

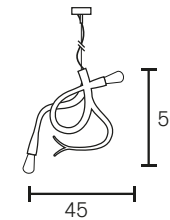
ED1Y

ED1Z

Technical information

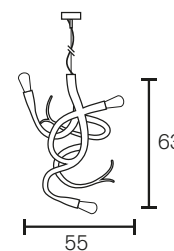
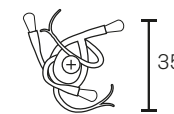
Element

Art.nr.	Dimensions	Light bulb	Weight	Finish
ED2BLM	L.45xH.50x D.40 cm	2x E27	5,0 kg	black matt finish
ED2WM	L.45xH.50x D.40 cm	2x E27	5,0 kg	white matt finish
ED2B	L.45xH.50x D.40 cm	2x E27	5,0 kg	bronze finish
ED2N	L.45xH.50x D.40 cm	2x E27	5,0 kg	nickel finish
ED2BR	L.45xH.50x D.40 cm	2x E27	5,0 kg	brass finish
ED2BRA	L.45xH.50x D.40 cm	2x E27	5,0 kg	brass aged finish
ED2BRBUR	L.45xH.50x D.40 cm	2x E27	5,0 kg	brass burnished finish
ED2COP	L.45xH.50x D.40 cm	2x E27	5,0 kg	copper finish



Element

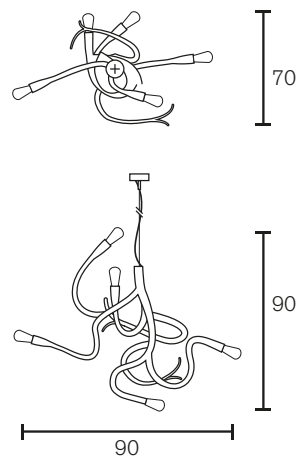
Art.nr.	Dimensions	Light bulb	Weight	Finish
ED3BLM	L.55xH.63x D.35 cm	3x E27	8,0 kg	black matt finish
ED3WM	L.55xH.63x D.35 cm	3x E27	8,0 kg	white matt finish
ED3B	L.55xH.63x D.35 cm	3x E27	8,0 kg	bronze finish
ED3N	L.55xH.63x D.35 cm	3x E27	8,0 kg	nickel finish
ED3BR	L.55xH.63x D.35 cm	3x E27	8,0 kg	brass finish
ED3BRA	L.55xH.63x D.35 cm	3x E27	8,0 kg	brass aged finish
ED3BRBUR	L.55xH.63x D.35 cm	3x E27	8,0 kg	brass burnished finish
ED3COP	L.55xH.63x D.35 cm	3x E27	8,0 kg	copper finish



Technical information

Element

Art.nr.	Dimensions	Light bulb	Weight	Finish
ED5BLM	L.90xH.90x D.70 cm	5x E27	10,0 kg	black matt finish
ED5WM	L.90xH.90x D.70 cm	5x E27	10,0 kg	white matt finish
ED5B	L.90xH.90x D.70 cm	5x E27	10,0 kg	bronze finish
ED5N	L.90xH.90x D.70 cm	5x E27	10,0 kg	nickel finish
ED5BR	L.90xH.90x D.70 cm	5x E27	10,0 kg	brass finish
ED5BRA	L.90xH.90x D.70 cm	5x E27	10,0 kg	brass aged finish
ED5BRBUR	L.90xH.90x D.70 cm	5x E27	10,0 kg	brass burnished finish
ED5COP	L.90xH.90x D.70 cm	5x E27	10,0 kg	copper finish

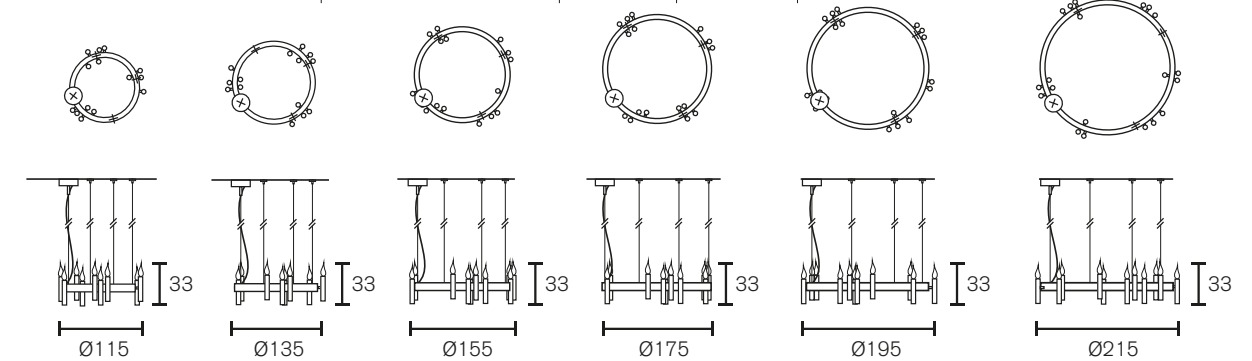


Technical information

Collection Shiro 2017

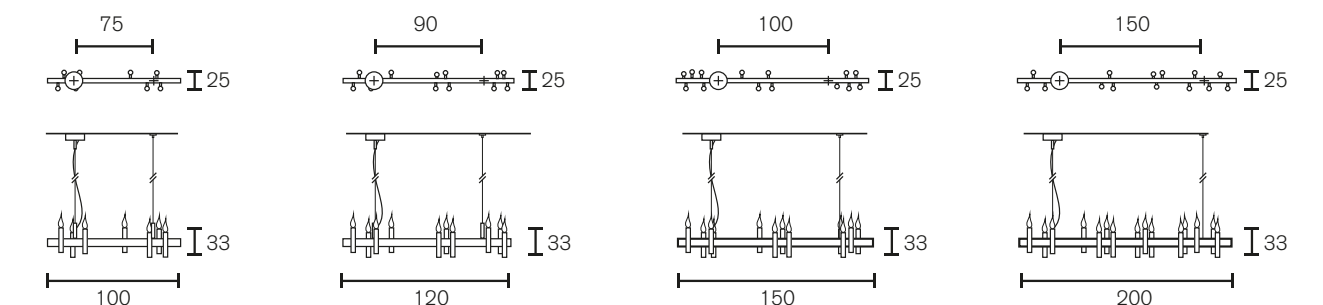
Suspension Ring

Art.nr.	Dimensions	Light bulb	Weight	Finish									
SHSR100BLM	Ø115xH.33 cm	18x E14	23,0 kg	black matt finish									
SHSR100BRBUR	Ø115xH.33 cm	18x E14	23,0 kg	brass burnished finish									
SHSR120BLM	Ø135xH.33 cm	18x E14	28,0 kg	black matt finish									
SHSR120BRBUR	Ø135xH.33 cm	18x E14	28,0 kg	brass burnished finish									
SHSR140BLM	Ø155xH.33 cm	20x E14	35,0 kg	black matt finish									
SHSR140BRBUR	Ø155xH.33 cm	20x E14	35,0 kg	brass burnished finish									
SHSR160BLM	Ø175xH.33 cm	20x E14	50,0 kg	black matt finish									
SHSR160BRBUR	Ø175xH.33 cm	20x E14	50,0 kg	brass burnished finish									
SHSR180BLM	Ø195xH.33 cm	22x E14	75,0 kg	black matt finish									
SHSR180BRBUR	Ø195xH.33 cm	22x E14	75,0 kg </tr <tr> <td>SHSR200BLM</td> <td>Ø215xH.33 cm</td> <td>22x E14</td> <td>100,0 kg</td> <td>black matt finish</td> </tr> <tr> <td>SHSR200BRBUR</td> <td>Ø215xH.33 cm</td> <td>22x E14</td> <td>100,0 kg</td> <td>brass burnished finish</td> </tr>	SHSR200BLM	Ø215xH.33 cm	22x E14	100,0 kg	black matt finish	SHSR200BRBUR	Ø215xH.33 cm	22x E14	100,0 kg	brass burnished finish
SHSR200BLM	Ø215xH.33 cm	22x E14	100,0 kg	black matt finish									
SHSR200BRBUR	Ø215xH.33 cm	22x E14	100,0 kg	brass burnished finish									



Suspension Horizontal

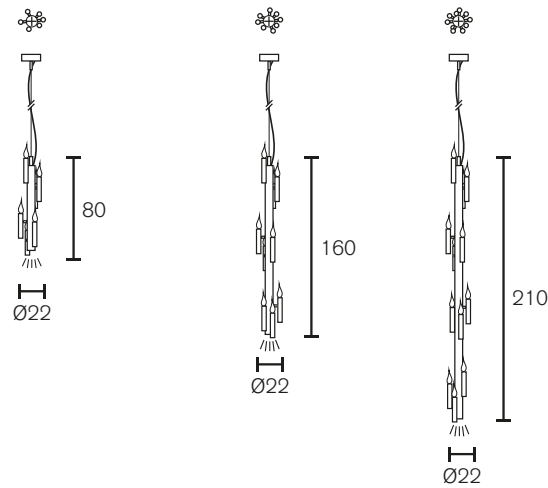
Art.nr.	Dimensions	Light bulb	Weight	Finish
SHSH100BLM	L.100xW.25xH.33 cm	8x E14	15,0 kg	black matt finish
SHSH100BRBUR	L.100xW.25xH.33 cm	8x E14	15,0 kg	brass burnished finish
SHSH120BLM	L.120xW.25xH.33 cm	12x E14	20,0 kg	black matt finish
SHSH120BRBUR	L.120xW.25xH.33 cm	12x E14	20,0 kg	brass burnished finish
SHSH150BLM	L.150xW.25xH.33 cm	14x E14	35,0 kg	black matt finish
SHSH150BRBUR	L.150xW.25xH.33 cm	14x E14	35,0 kg	brass burnished finish
SHSH200BLM	L.200xW.25xH.33 cm	16x E14	55,0 kg	black matt finish
SHSH200BRBUR	L.200xW.25xH.33 cm	16x E14	55,0 kg	brass burnished finish



Technical information

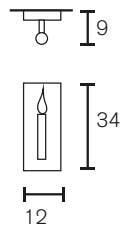
Suspension Vertical

Art.nr.	Dimensions	Light bulb	Weight	Finish
SHSV70BLM	Ø22xH.80 cm	6x E14	8.0 kg	1x GU10 downlight, black matt finish
SHSV70BRBUR	Ø22xH.80 cm	6x E14	8.0 kg	1x GU10 downlight, brass burnished finish
SHSV150BLM	Ø22xH.160 cm	9x E14	18.0 kg	1x GU10 downlight, black matt finish
SHSV150BRBUR	Ø22xH.160 cm	9x E14	18.0 kg	1x GU10 downlight, brass burnished finish
SHSV200BLM	Ø22xH.210 cm	12x E14	30.0 kg	1x GU10 downlight, black matt finish
SHSV200BRBUR	Ø22xH.210 cm	12x E14	30.0 kg	1x GU10 downlight, brass burnished finish



Wall lamp

Art.nr.	Dimensions	Light bulb	Weight	Finish
SHW34BLM	W.12xH.34xD.9 cm	1x E14	2.0 kg	black matt finish
SHW34BRBUR	W.12xH.34xD.9 cm	1x E14	2.0 kg	brass burnished finish

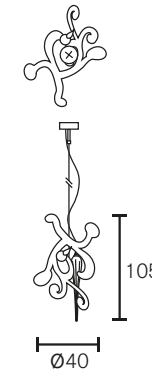


Technical information

Collection Kelp Fortuna 2017

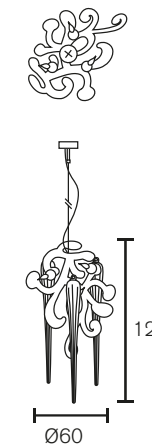
Element

Art.nr.	Dimensions	Light bulb	Weight	Finish
KEF40BLM	Ø40xH.105 cm	1x E27	14,0 kg	black matt finish
KEF40WM	Ø40xH.105 cm	1x E27	14,0 kg	white matt finish
KEF40B	Ø40xH.105 cm	1x E27	14,0 kg	bronze finish
KEF40ST	Ø40xH.105 cm	1x E27	14,0 kg	stainless steel
KEF40BR	Ø40xH.105 cm	1x E27	14,0 kg	brass finish
KEF40BRA	Ø40xH.105 cm	1x E27	14,0 kg	brass aged finish
KEF40BRG	Ø40xH.105 cm	1x E27	14,0 kg	brass grinded finish
KEF40BRBUR	Ø40xH.105 cm	1x E27	14,0 kg	brass burnished finish
KEF40COP	Ø40xH.105 cm	1x E27	14,0 kg	copper finish



Element

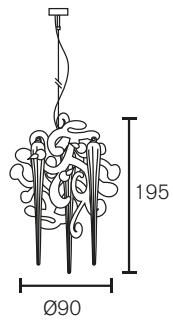
Art.nr.	Dimensions	Light bulb	Weight	Finish
KEF60BLM	Ø60xH.120 cm	3x E27	25,0 kg	black matt finish
KEF60WM	Ø60xH.120 cm	3x E27	25,0 kg	white matt finish
KEF60B	Ø60xH.120 cm	3x E27	25,0 kg	bronze finish
KEF60ST	Ø60xH.120 cm	3x E27	25,0 kg	stainless steel
KEF60BR	Ø60xH.120 cm	3x E27	25,0 kg	brass finish
KEF60BRA	Ø60xH.120 cm	3x E27	25,0 kg	brass aged finish
KEF60BRG	Ø60xH.120 cm	3x E27	25,0 kg	brass grinded finish
KEF60BRBUR	Ø60xH.120 cm	3x E27	25,0 kg	brass burnished finish
KEF60COP	Ø60xH.120 cm	3x E27	25,0 kg	copper finish



Technical information

Element

Art.nr.	Dimensions	Light bulb	Weight	Finish
KEF90BLM	Ø90xH.195 cm	3x E27	35,0 kg	black matt finish
KEF90WM	Ø90xH.195 cm	3x E27	35,0 kg	white matt finish
KEF90B	Ø90xH.195 cm	3x E27	35,0 kg	bronze finish
KEF90ST	Ø90xH.195 cm	3x E27	35,0 kg	stainless steel
KEF90BR	Ø90xH.195 cm	3x E27	35,0 kg	brass finish
KEF90BRA	Ø90xH.195 cm	3x E27	35,0 kg	brass aged finish
KEF90BRG	Ø90xH.195 cm	3x E27	35,0 kg	brass grinded finish
KEF90BRBUR	Ø90xH.195 cm	3x E27	35,0 kg	brass burnished finish
KEF90COP	Ø90xH.195 cm	3x E27	35,0 kg	copper finish

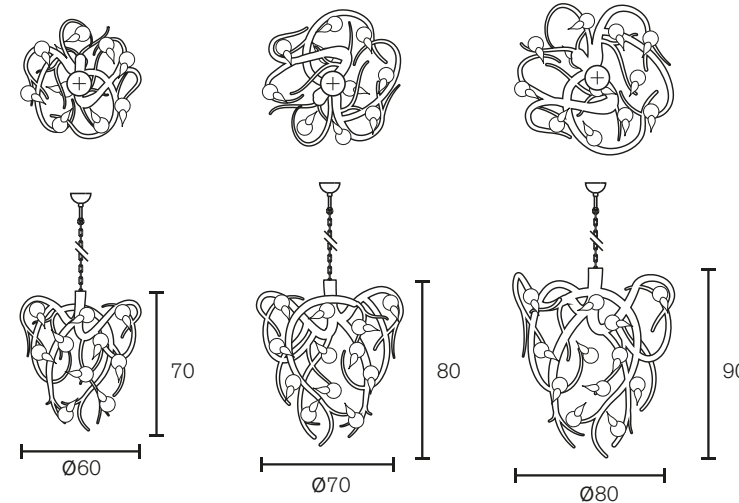


Technical information

Collection Eve 2016

Chandelier Conical

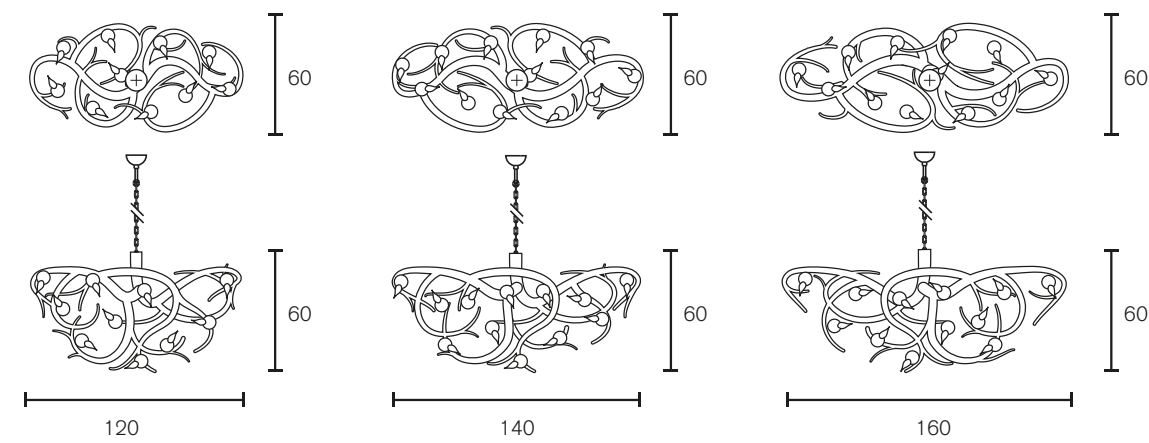
Art.nr.	Dimensions	Light bulb	Weight	Finish
EVECC60BLM	Ø60xH.70 cm	10x E14	14,0 kg	black matt finish
EVECC60WM	Ø60xH.70 cm	10x E14	14,0 kg	white matt finish
EVECC60B	Ø60xH.70 cm	10x E14	14,0 kg	bronze finish
EVECC60N	Ø60xH.70 cm	10x E14	14,0 kg	nickel finish
EVECC60BR	Ø60xH.70 cm	10x E14	14,0 kg	brass finish
EVECC60BRBUR	Ø60xH.70 cm	10x E14	14,0 kg	brass burnished finish
EVECC60COP	Ø60xH.70 cm	10x E14	14,0 kg	copper finish
EVECC70BLM	Ø70xH.80 cm	12x E14	16,0 kg	black matt finish
EVECC70WM	Ø70xH.80 cm	12x E14	16,0 kg	white matt finish
EVECC70B	Ø70xH.80 cm	12x E14	16,0 kg	bronze finish
EVECC70N	Ø70xH.80 cm	12x E14	16,0 kg	nickel finish
EVECC70BR	Ø70xH.80 cm	12x E14	16,0 kg	brass finish
EVECC70BRBUR	Ø70xH.80 cm	12x E14	16,0 kg	brass burnished finish
EVECC70COP	Ø70xH.80 cm	12x E14	16,0 kg	copper finish
EVECC80BLM	Ø80xH.90 cm	12x E14	18,0 kg	black matt finish
EVECC80WM	Ø80xH.90 cm	12x E14	18,0 kg	white matt finish
EVECC80B	Ø80xH.90 cm	12x E14	18,0 kg	bronze finish
EVECC80N	Ø80xH.90 cm	12x E14	18,0 kg	nickel finish
EVECC80BR	Ø80xH.90 cm	12x E14	18,0 kg	brass finish
EVECC80BRBUR	Ø80xH.90 cm	12x E14	18,0 kg	brass burnished finish
EVECC80COP	Ø80xH.90 cm	12x E14	18,0 kg	copper finish



Technical information

Chandelier Oval

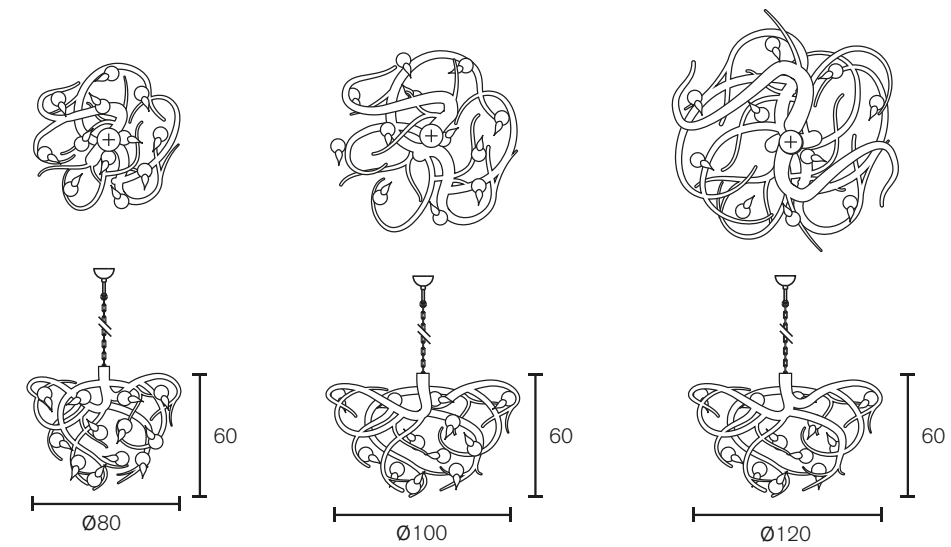
Art.nr.	Dimensions	Light bulb	Weight	Finish
EVEOC120BLM	L.120xW.60xH.60 cm	10x E14	14,0 kg	black matt finish
EVEOC120WM	L.120xW.60xH.60 cm	10x E14	14,0 kg	white matt finish
EVEOC120B	L.120xW.60xH.60 cm	10x E14	14,0 kg	bronze finish
EVEOC120N	L.120xW.60xH.60 cm	10x E14	14,0 kg	nickel finish
EVEOC120BR	L.120xW.60xH.60 cm	10x E14	14,0 kg	brass finish
EVEOC120BRBUR	L.120xW.60xH.60 cm	10x E14	14,0 kg	brass burnished finish
EVEOC120COP	L.120xW.60xH.60 cm	10x E14	14,0 kg	copper finish
EVEOC140BLM	L.140xW.60xH.60 cm	12x E14	16,0 kg	black matt finish
EVEOC140WM	L.140xW.60xH.60 cm	12x E14	16,0 kg	white matt finish
EVEOC140B	L.140xW.60xH.60 cm	12x E14	16,0 kg	bronze finish
EVEOC140N	L.140xW.60xH.60 cm	12x E14	16,0 kg	nickel finish
EVEOC140BR	L.140xW.60xH.60 cm	12x E14	16,0 kg	brass finish
EVEOC140BRBUR	L.140xW.60xH.60 cm	12x E14	16,0 kg	brass burnished finish
EVEOC140COP	L.140xW.60xH.60 cm	12x E14	16,0 kg	copper finish
EVEOC160BLM	L.160xW.60xH.60 cm	12x E14	18,0 kg	black matt finish
EVEOC160WM	L.160xW.60xH.60 cm	12x E14	18,0 kg	white matt finish
EVEOC160B	L.160xW.60xH.60 cm	12x E14	18,0 kg	bronze finish
EVEOC160N	L.160xW.60xH.60 cm	12x E14	18,0 kg	nickel finish
EVEOC160BR	L.160xW.60xH.60 cm	12x E14	18,0 kg	brass finish
EVEOC160BRBUR	L.160xW.60xH.60 cm	12x E14	18,0 kg	brass burnished finish
EVEOC160COP	L.160xW.60xH.60 cm	12x E14	18,0 kg	copper finish



Technical information

Chandelier Round

Art.nr.	Dimensions	Light bulb	Weight	Finish
EVEC80BLM	Ø80xH.60 cm	12x E14	11,0 kg	black matt finish
EVEC80WM	Ø80xH.60 cm	12x E14	11,0 kg	white matt finish
EVEC80B	Ø80xH.60 cm	12x E14	11,0 kg	bronze finish
EVEC80N	Ø80xH.60 cm	12x E14	11,0 kg	nickel finish
EVEC80BR	Ø80xH.60 cm	12x E14	11,0 kg	brass finish
EVEC80BRBUR	Ø80xH.60 cm	12x E14	11,0 kg	brass burnished finish
EVEC80COP	Ø80xH.60 cm	12x E14	11,0 kg	copper finish
EVEC100BLM	Ø100xH.60 cm	14x E14	13,0 kg	black matt finish
EVEC100WM	Ø100xH.60 cm	14x E14	13,0 kg	white matt finish
EVEC100B	Ø100xH.60 cm	14x E14	13,0 kg	bronze finish
EVEC100N	Ø100xH.60 cm	14x E14	13,0 kg	nickel finish
EVEC100BR	Ø100xH.60 cm	14x E14	13,0 kg	brass finish
EVEC100BRBUR	Ø100xH.60 cm	14x E14	13,0 kg	brass burnished finish
EVEC100COP	Ø100xH.60 cm	14x E14	13,0 kg	copper finish
EVEC120BLM	Ø120xH.60 cm	16x E14	15,0 kg	black matt finish
EVEC120WM	Ø120xH.60 cm	16x E14	15,0 kg	white matt finish
EVEC120B	Ø120xH.60 cm	16x E14	15,0 kg	bronze finish
EVEC120N	Ø120xH.60 cm	16x E14	15,0 kg	nickel finish
EVEC120BR	Ø120xH.60 cm	16x E14	15,0 kg	brass finish
EVEC120BRBUR	Ø120xH.60 cm	16x E14	15,0 kg	brass burnished finish
EVEC120COP	Ø120xH.60 cm	16x E14	15,0 kg	copper finish

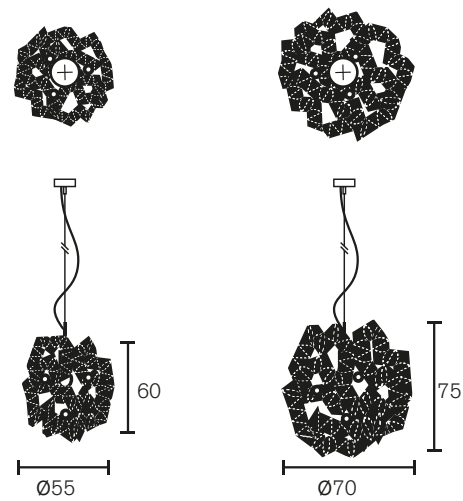


Technical information

Collection Fractal Cloud 2015

Element

Art.nr.	Dimensions	Light bulb	Weight	Finish
FRACHR55BLM	Ø55xH.60 cm	3x E27	13,0 kg	black matt finish
FRACHR55WM	Ø55xH.60 cm	3x E27	13,0 kg	white matt finish
FRACHR55ST	Ø55xH.60 cm	3x E27	13,0 kg	stainless steel
FRACHR55BR	Ø55xH.60 cm	3x E27	13,0 kg	brass finish
FRACHR55BRG	Ø55xH.60 cm	3x E27	13,0 kg	brass grinded finish
FRACHR55BRBUR	Ø55xH.60 cm	3x E27	13,0 kg	brass burnished finish
FRACHR70BLM	Ø70xH.75 cm	3x E27	18,0 kg	black matt finish
FRACHR70WM	Ø70xH.75 cm	3x E27	18,0 kg	white matt finish
FRACHR70ST	Ø70xH.75 cm	3x E27	18,0 kg	stainless steel
FRACHR70BR	Ø70xH.75 cm	3x E27	18,0 kg	brass finish
FRACHR70BRG	Ø70xH.75 cm	3x E27	18,0 kg	brass grinded finish
FRACHR70BRBUR	Ø70xH.75 cm	3x E27	18,0 kg	brass burnished finish

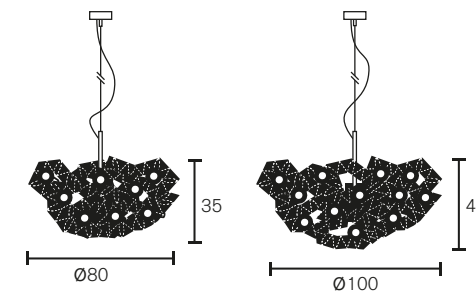


Technical information

Collection Fractal 2016

Chandelier Round

Art.nr.	Dimensions	Light bulb	Weight	Finish
FRACC80BLM	Ø80xH.35 cm	10x E14	19,0 kg	black matt finish
FRACC80WM	Ø80xH.35 cm	10x E14	19,0 kg	white matt finish
FRACC80ST	Ø80xH.35 cm	10x E14	19,0 kg	stainless steel
FRACC80BR	Ø80xH.35 cm	10x E14	19,0 kg	brass finish
FRACC80BRG	Ø80xH.35 cm	10x E14	19,0 kg	brass grinded finish
FRACC80BRBUR	Ø80xH.35 cm	10x E14	19,0 kg	brass burnished finish
FRACC100BLM	Ø100xH.45 cm	12x E14	27,0 kg	black matt finish
FRACC100WM	Ø100xH.45 cm	12x E14	27,0 kg	white matt finish
FRACC100ST	Ø100xH.45 cm	12x E14	27,0 kg	stainless steel
FRACC100BR	Ø100xH.45 cm	12x E14	27,0 kg	brass finish
FRACC100BRG	Ø100xH.45 cm	12x E14	27,0 kg	brass grinded finish
FRACC100BRBUR	Ø100xH.45 cm	12x E14	27,0 kg	brass burnished finish



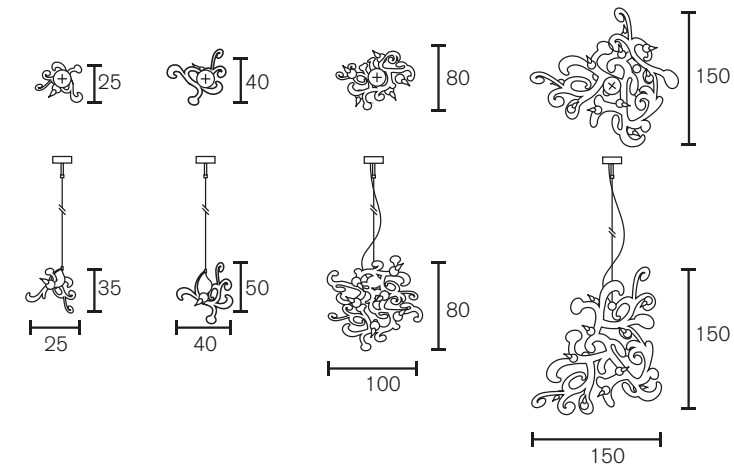
Technical information

Collection Kelp 2015

Element

Art.nr.	Dimensions	Light bulb	Weight	Finish
25KELPBLM	L.25xW.25xH.35 cm	1x E14	1,5 kg	black matt finish
25KELPWM	L.25xW.25xH.35 cm	1x E14	1,5 kg	white matt finish
25KELPB	L.25xW.25xH.35 cm	1x E14	1,5 kg	bronze finish
25KELPST	L.25xW.25xH.35 cm	1x E14	1,5 kg	stainless steel
25KELPBR	L.25xW.25xH.35 cm	1x E14	1,5 kg	brass finish
25KELPBRA	L.25xW.25xH.35 cm	1x E14	1,5 kg	brass aged finish
25KELPBRG	L.25xW.25xH.35 cm	1x E14	1,5 kg	brass grinded finish
25KELPBRBUR	L.25xW.25xH.35 cm	1x E14	1,5 kg	brass burnished finish
25KELPCOP	L.25xW.25xH.35 cm	1x E14	1,5 kg	copper finish
50KELPBLM	L.40xW.40xH.50 cm	1x E14	2,0 kg	black matt finish
50KELPWM	L.40xW.40xH.50 cm	1x E14	2,0 kg	white matt finish
50KELPB	L.40xW.40xH.50 cm	1x E14	2,0 kg	bronze finish
50KELPST	L.40xW.40xH.50 cm	1x E14	2,0 kg	stainless steel
50KELPBR	L.40xW.40xH.50 cm	1x E14	2,0 kg	brass finish
50KELPBRA	L.40xW.40xH.50 cm	1x E14	2,0 kg	brass aged finish
50KELPBRG	L.40xW.40xH.50 cm	1x E14	2,0 kg	brass grinded finish
50KELPBRBUR	L.40xW.40xH.50 cm	1x E14	2,0 kg	brass burnished finish
50KELPCOP	L.40xW.40xH.50 cm	1x E14	2,0 kg	copper finish
100KELPBLM	L.80xW.100xH.80 cm	5x E14	15,0 kg	black matt finish
100KELPWM	L.80xW.100xH.80 cm	5x E14	15,0 kg	white matt finish
100KELPB	L.80xW.100xH.80 cm	5x E14	15,0 kg	bronze finish
100KELPST	L.80xW.100xH.80 cm	5x E14	15,0 kg	stainless steel
100KELPBR	L.80xW.100xH.80 cm	5x E14	15,0 kg	brass finish
100KELPBRA	L.80xW.100xH.80 cm	5x E14	15,0 kg	brass aged finish
100KELPBRG	L.80xW.100xH.80 cm	5x E14	15,0 kg	brass grinded finish
100KELPBRBUR	L.80xW.100xH.80 cm	5x E14	15,0 kg	brass burnished finish
100KELPCOP	L.80xW.100xH.80 cm	5x E14	15,0 kg	copper finish
150KELPBLM	L.150xW.150xH.150 cm	10x E14	25,0 kg	black matt finish
150KELPWM	L.150xW.150xH.150 cm	10x E14	25,0 kg	white matt finish
150KELPB	L.150xW.150xH.150 cm	10x E14	25,0 kg	bronze finish
150KELPST	L.150xW.150xH.150 cm	10x E14	25,0 kg	stainless steel
150KELPBR	L.150xW.150xH.150 cm	10x E14	25,0 kg	brass finish
150KELPBRA	L.150xW.150xH.150 cm	10x E14	25,0 kg	brass aged finish
150KELPBRG	L.150xW.150xH.150 cm	10x E14	25,0 kg	brass grinded finish
150KELPBRBUR	L.150xW.150xH.150 cm	10x E14	25,0 kg	brass burnished finish
150KELPCOP	L.150xW.150xH.150 cm	10x E14	25,0 kg	copper finish

Technical information

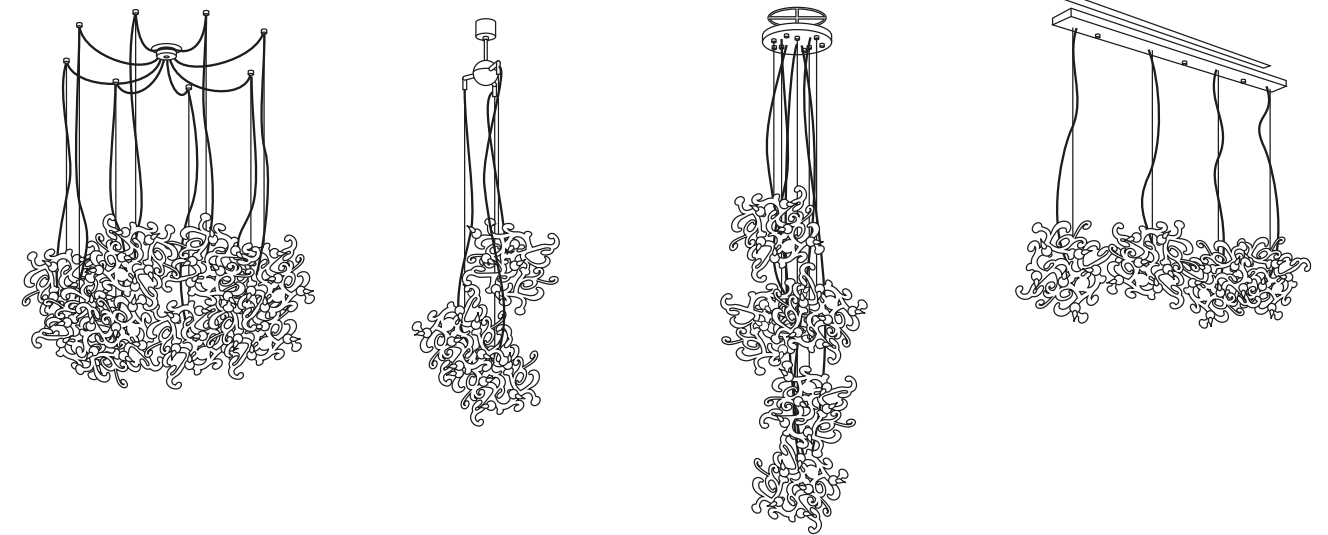


central ceiling cover (=standard)

Satellite (for special and slope roof etc)

Disc suspension with mounting frame

Beam for inline suspension

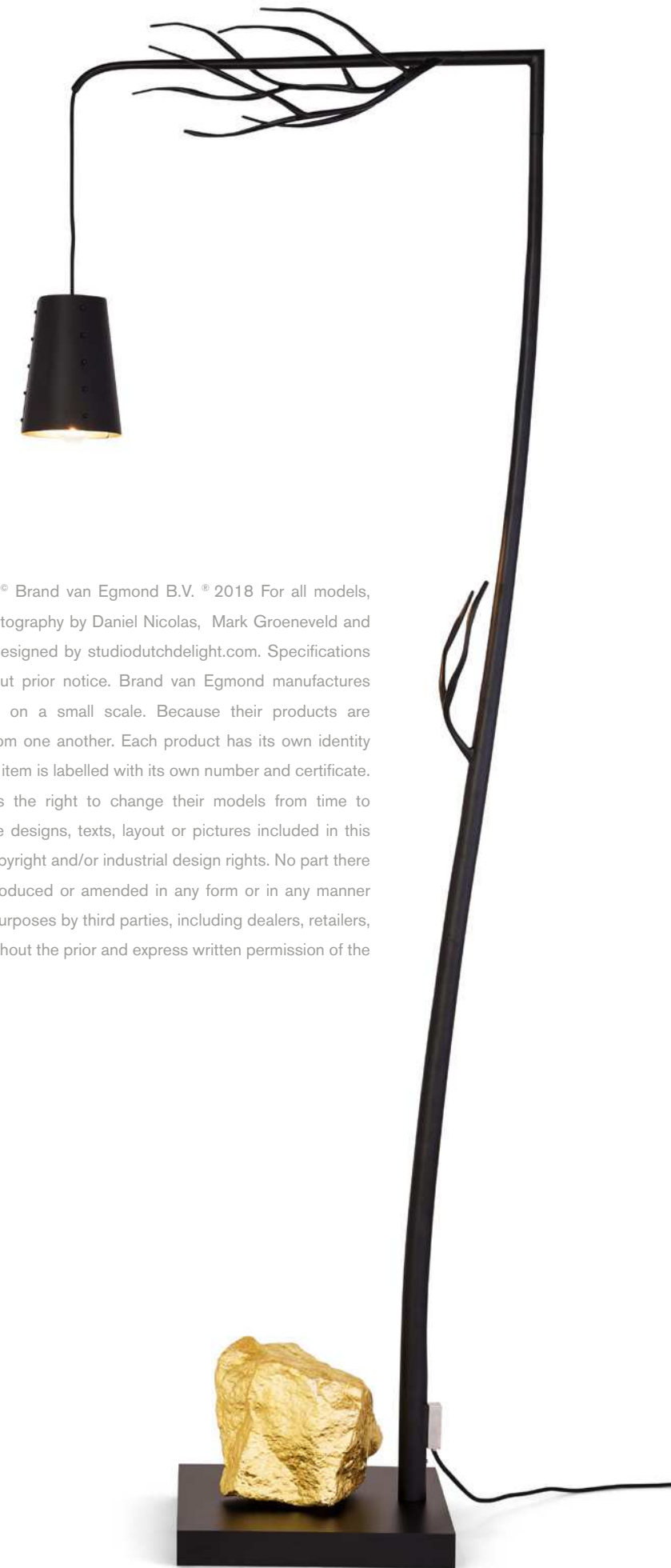
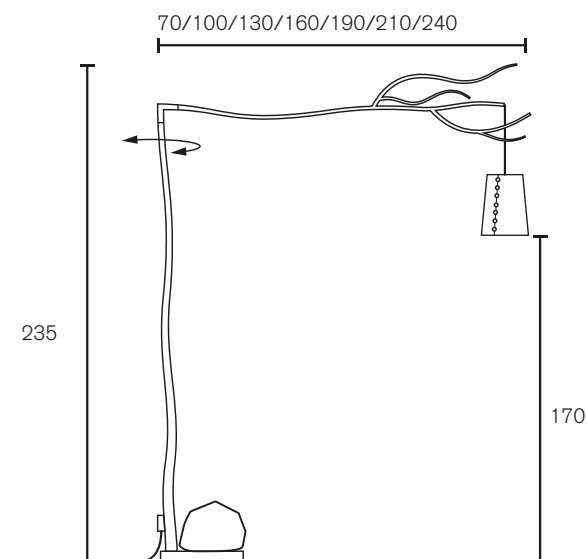


Technical information

Collection Flintstone 2016

Floor lamp

Art.nr.	Dimensions	Light bulb	Weight	Finish
FLINTF70BLM	L.70xW.40xH.235 cm	1x E27	40,0 kg	black matt finish
FLINTF70WM	L.70xW.40xH.235 cm	1x E27	40,0 kg	white matt finish
FLINTF70N	L.70xW.40xH.235 cm	1x E27	40,0 kg	nickel finish
FLINTF70BRBUR	L.70xW.40xH.235 cm	1x E27	40,0 kg	brass burnished finish
FLINTF100BLM	L.100xW.40xH.235 cm	1x E27	40,0 kg	black matt finish
FLINTF100WM	L.100xW.40xH.235 cm	1x E27	40,0 kg	white matt finish
FLINTF100N	L.100xW.40xH.235 cm	1x E27	40,0 kg	nickel finish
FLINTF100BRBUR	L.100xW.40xH.235 cm	1x E27	40,0 kg	brass burnished finish
FLINTF130BLM	L.130xW.40xH.235 cm	1x E27	40,0 kg	black matt finish
FLINTF130WM	L.130xW.40xH.235 cm	1x E27	40,0 kg	white matt finish
FLINTF130N	L.130xW.40xH.235 cm	1x E27	40,0 kg	nickel finish
FLINTF130BRBUR	L.130xW.40xH.235 cm	1x E27	40,0 kg	brass burnished finish
FLINTF160BLM	L.160xW.40xH.235 cm	1x E27	40,0 kg	black matt finish
FLINTF160WM	L.160xW.40xH.235 cm	1x E27	40,0 kg	white matt finish
FLINTF160N	L.160xW.40xH.235 cm	1x E27	40,0 kg	nickel finish
FLINTF160BRBUR	L.160xW.40xH.235 cm	1x E27	40,0 kg </td <td>brass burnished finish</td>	brass burnished finish
FLINTF190BLM	L.190xW.40xH.235 cm	1x E27	40,0 kg	black matt finish
FLINTF190WM	L.190xW.40xH.235 cm	1x E27	40,0 kg	white matt finish
FLINTF190N	L.190xW.40xH.235 cm	1x E27	40,0 kg	nickel finish
FLINTF190BRBUR	L.190xW.40xH.235 cm	1x E27	40,0 kg	brass burnished finish
FLINTF210BLM	L.210xW.40xH.235 cm	1x E27	40,0 kg	black matt finish
FLINTF210WM	L.210xW.40xH.235 cm	1x E27	40,0 kg	white matt finish
FLINTF210N	L.210xW.40xH.235 cm	1x E27	40,0 kg	nickel finish
FLINTF210BRBUR	L.210xW.40xH.235 cm	1x E27	40,0 kg	brass burnished finish
FLINTF240BLM	L.240xW.40xH.235 cm	1x E27	40,0 kg	black matt finish
FLINTF240WM	L.240xW.40xH.235 cm	1x E27	40,0 kg	white matt finish
FLINTF240N	L.240xW.40xH.235 cm	1x E27	40,0 kg	nickel finish
FLINTF240BRBUR	L.240xW.40xH.235 cm	1x E27	40,0 kg	brass burnished finish



All rights reserved, copyright® Brand van Egmond B.V. © 2018 For all models, texts, layout and images. Photography by Daniel Nicolas, Mark Groeneveld and BrandvanEgmond, Interiors designed by studiodutchdelight.com. Specifications are subject to change without prior notice. Brand van Egmond manufactures exclusive lighting sculptures on a small scale. Because their products are handmade, they can differ from one another. Each product has its own identity and therefore is unique. Each item is labelled with its own number and certificate. Brand van Egmond reserves the right to change their models from time to time without prior notice. The designs, texts, layout or pictures included in this brochure are protected by copyright and/or industrial design rights. No part there of may be made public, reproduced or amended in any form or in any manner whatsoever, for commercial purposes by third parties, including dealers, retailers, internet shops and others, without the prior and express written permission of the designer William Brand.



BRAND VAN EGMOND B.V. Nikkelstraat 41, 1411 AH Naarden, The Netherlands

T. +31 (0)35 692 12 59 F. +31 (0)35 691 17 25 info@brandvanegmond.com www.brandvanegmond.com