

THE  
LIGHTING  
NEW BIBLE  
COLLECTION



 DELTALIGHT®





### MAGNETIC EXTENSIONS

In this New Collection catalogue we extend our Magnetic profiles with new modules offering you more illumination tools.

The magnetic fixation allows the spots to be mounted anywhere in the profile. Different light modules - spots, lines of light and pendants - can be positioned and repositioned tool free into these profiles thanks to their magnetic fixation.

Extend your Magnetic profiles with the new Dot.Com M module to illuminate your wall or object. Also extendable with the Spy in Punk design or the Vizir in standard and in faceted design. Also discover in this New Collection catalogue the Soft Dim extensions to the Magnetic profiles.



# THINGS TO LOOK FOR

---



### ESTABLISHED PRODUCTS NEW LOOK

Colour is an important added value that can enhance the precious features of a luminaire, endowing it with the capacity to arouse emotion. Colour affects us in many ways. Whether warm and bright or cold and dark. At Delta Light® we love experimenting with new colour combinations to see where they can take our established products.



### ICONIC PUNK

Punk, an iconic subculture that emerged in the mid 70's, is an artistic style and usually associated with music and fashion. But it still inspires. Punk details infiltrate perfectly in the world of modern architecture to express individualism and urban attitudes. Spikes might look intimidating, but when combined with light, they become so much more refined. The punk design adds a new dimension to the Spy family and will be available on new pendant and wall luminaires in Black, Gold Champagne and Black Pure with an aluminium look.

**OPTICAL DESIGN**

Within this New Collection we offer a brand-new range of linear wallwash luminaires, integrated in the Dot.Com family. These are available as single fixtures, as modules to use in our magnetic profiles or as a made-to-measure trimless profile, perfect for evenly lit walls.

Also outside, the right effect of light provides the right atmosphere, be it minimalistic and cosy or either functional. The Elbo family can be used for different moods, according to its different optical finishes. With the opal glass it provides a warm and cosy light, finished with a specific lens optic it changes to a functional pathway light as it throws its light both left and right.

Choosing the correct optics not only influences the effect of light, it also impacts light comfort. The slenderness of our new Supernova Flat, combined with the soft uplight effect, improves the visual comfort as it results in a soft glow on the ceiling.

Used with the prismatic optics, glare is further being reduced to an UGR below 19, making it workplace suitable according to DIN EN 12464-1.

**ACCENTUATE YOUR SUPERLOOP**

The Superloop was launched in The Lighting Bible 12. An extensive range of slim circular and square shapes, offering a multitude of illumination options. The circular Superloop will be extended with our 2 new colours Delta Light® Flemish Gold and Delta Light® Flemish Bronze. The Spy modules will also be available in these new colours. Combine your black Superloop with the new Vizir module with faceted design for a refined eye-catcher. By adding the new Fix modules - a tubular module with clear or frosted glass with up or down-up lighting - you can transform your Superloop into a modern chandelier. Those looking for a more unique, creative and accentuated luminaire, can opt to add the XY180.



**THE REVIVAL OF THE DOT.COM**

Dot.Com is a new family of recessed luminaires based on the revival of our classic fixture launched in 2008. This minimalistic and discrete luminaire assures optimal optic performance and maximum eye comfort. The recessed leds in aluminium housing offer full focus on the light instead of the luminaire, offering a vast range of high performing and discrete lighting solutions. You can choose from fixed or adjustable, trimless or with trim. The Dot.Com collection is a timeless and highly functional architectural lighting tool. Also available for the magnetic profiles.



**SUBTLE REFLECTIONS**

Facets have always been a part of architecture. The consistent geometry creates an intriguing aesthetic appearance. The light hitting the different panes transmits a subtle luminous effect and extra dimension to the object on which the facet form is added. The facet finishing will be available on the new Hedra family, giving the standard tubular spots a sophisticated character. The facet design will also be available on new pendant luminaires in our new colours and finishes.

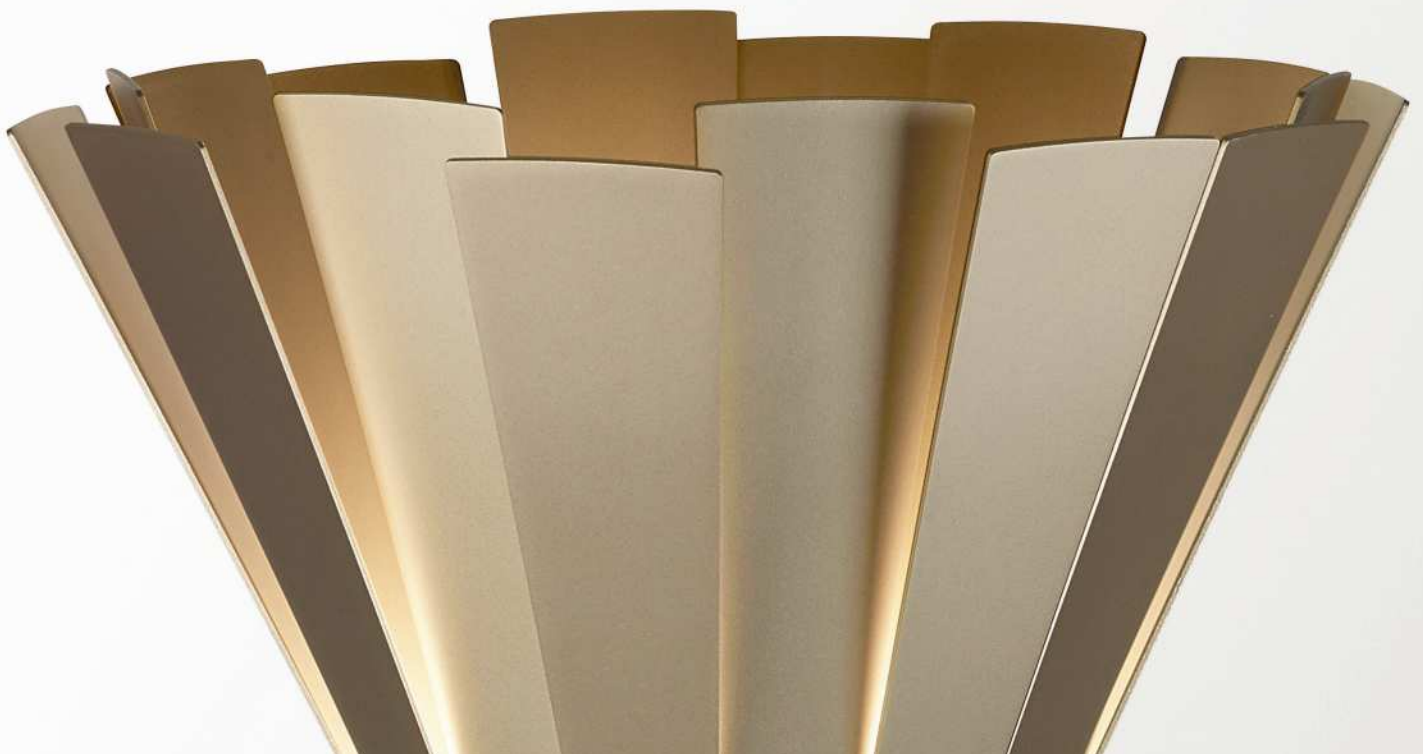
**NEW TAGLINE FOR AN ULTRA-MINIMALISTIC LIGHT LINE**

The new Tagline profile provides an ultra-minimalistic light line that integrates effortlessly with the architectural lines of a space. The simplicity of the extreme compact measurements of the profile can complement the design in a more artistic way by offering accent lighting or to accentuate the key architectural features of the room. The lines of light can be placed around the ceiling to make the most out of a minimalist space. The Tagline profile is available as surface mounted, as a pendant luminaire and as trimmed and trimless recessed profile. Within the trimless profile, Tagline can be combined with the elegant Microspy for accent lighting.





FLEMISH  
**COLOURS**  
& NEW FINISHES



## NEW FINISHES AND TRENDY COLOURS

Delta Light® presents 5 new colours and finishes for a range of established products and new families. Our new colours Delta Light® Flemish Bronze (FBR) and Delta Light® Flemish Gold (FG) fit perfectly with the minimal style and glam trend. These colours can dress up a room, keeping it minimalistic, yet eclectic. They are created to provide accents or highlights, proving the space with an industrial finish.



**BOXY**  
LB12 INT 269



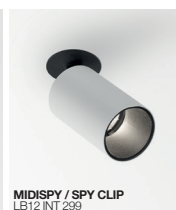
**METRONOME**  
LB12 INT 405



**SUPERNOVA XS**  
LB12 INT 355



**MIDISPY / SPY ON**  
LB12 INT 299



**MIDISPY / SPY CLIP**  
LB12 INT 299



**BOXY R**  
LB12 INT 261



**SUPERLOOP VC**  
LB12 INT 325



**SUPERLOOP VR**  
LB12 INT 327



**MAGNETIC PROFILES - MIDISPY / SPY**  
LB12 INT 299



**SUPERLOOP - MIDISPY / SPY**  
LB12 INT 299



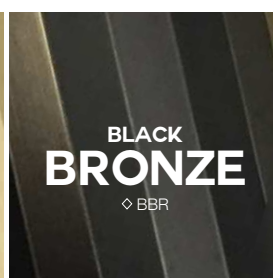
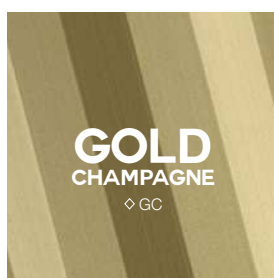
**SUPERLOOP HC**  
LB12 INT 323



**MONTUR**  
LB12 INT 452

Warm metal colours have been the actual protagonists of the past years. Our new metallic anodized Gold Champagne (GC) and Black Bronze (BBR) recall the glamour of the 50's and characterize objects with their warm tactile metal surfaces and merge perfectly with wood and natural materials.

The new Black Pure (BP) finishing accentuates the space with a rough and industrial detail, adding eccentricity to an otherwise conventional interior. All new colours and finishes are available on a range of existing and new products.



# INDEX

INTERIOR / PROFILES / EXTERIOR



**DOT.COM S**  
PAG 11



**REO RIBS**  
PAG 21



**VIZIR / HEDRA CLIP**  
PAG 36



**HEDRA 62 C**  
PAG 45



**SUPERNOVA FLAT  
DOWN-UP**  
PAG 53



**SUPERLOOP - SPY SOFT**  
PAG 61



**TAGLINE TRIMLESS**  
PAG 77



**DOT.COM M**  
PAG 13



**MIDISPY**  
PAG 23



**VIZIR / HEDRA ON**  
PAG 38



**HEDRA 62 ON**  
PAG 45



**WINDOW**  
PAG 55



**XY180 S**  
PAG 65



**GALA XL R**  
PAG 79



**DOT.COM L**  
PAG 15



**PUNK 39 CLIP**  
PAG 27



**VIZIR / HEDRA ON**  
PAG 41



**HEDRA 62 W**  
PAG 47



**WINDOW DOWN-UP**  
PAG 55



**XY180 MINI**  
PAG 67



**KASKADE**  
PAG 81



**DOT.COM L WALLWASH**  
PAG 16



**PUNK 45 C**  
PAG 29



**HEDRA 39 C**  
PAG 43



**DIRO SBL L ON**  
PAG 49



**SUPERLOOP  
VIZIR / HEDRA**  
PAG 58



**XY180 PUNK**  
PAG 69



**FEMTOLINE W DOWN-UP**  
PAG 83



**DOT.COM L ON**  
PAG 19



**PUNK 62 C**  
PAG 30



**HEDRA 45 C**  
PAG 43



**SUPERNOVA FLAT**  
PAG 50



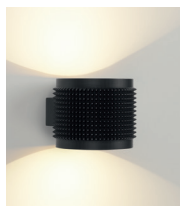
**SUPERLOOP FIX**  
PAG 59



**XY180 F**  
PAG 71



**DEEP RINGO RIBS**  
PAG 20



**ORBIT PUNK**  
PAG 33



**HEDRA 45 C E27**  
PAG 43



**SUPERNOVA FLAT  
SMOOTH-UP**  
PAG 51



**SUPERLOOP - XY180**  
PAG 61



**ONE-AND-ONLY**  
PAG 75



**SHIFTLINE M26**  
PAG 88



**TAGLINE TR**  
PAG 104



**SPLITLINE M20**  
PAG 88



**TAGLINE TRW**  
PAG 104



**SPLITLINE M52**  
PAG 88



**TAGLINE ST**  
PAG 108



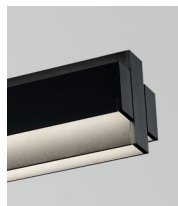
**DOT.COM WALLWASH TR**  
PAG 98



**TAGLINE ON**  
PAG 108



**FEMTOLINE W DOWN-UP**  
PAG 100



**ONE-AND-ONLY**  
PAG 110



**FEMTOLINE 55**  
PAG 102



**KASKADE**  
PAG 112



**MICRO DEEP RINGO X**  
PAG 117



**MONTUR MINI S P**  
PAG 122



**LOGO**  
PAG 119



**ELBO SBL P**  
PAG 123



**STIP W R**  
PAG 120



**ELBO P**  
PAG 123



**STIP W S**  
PAG 120



**ELBO BRIDGE P**  
PAG 125



**MONTUR MINI S**  
PAG 121



**POLESANO**  
PAG 126



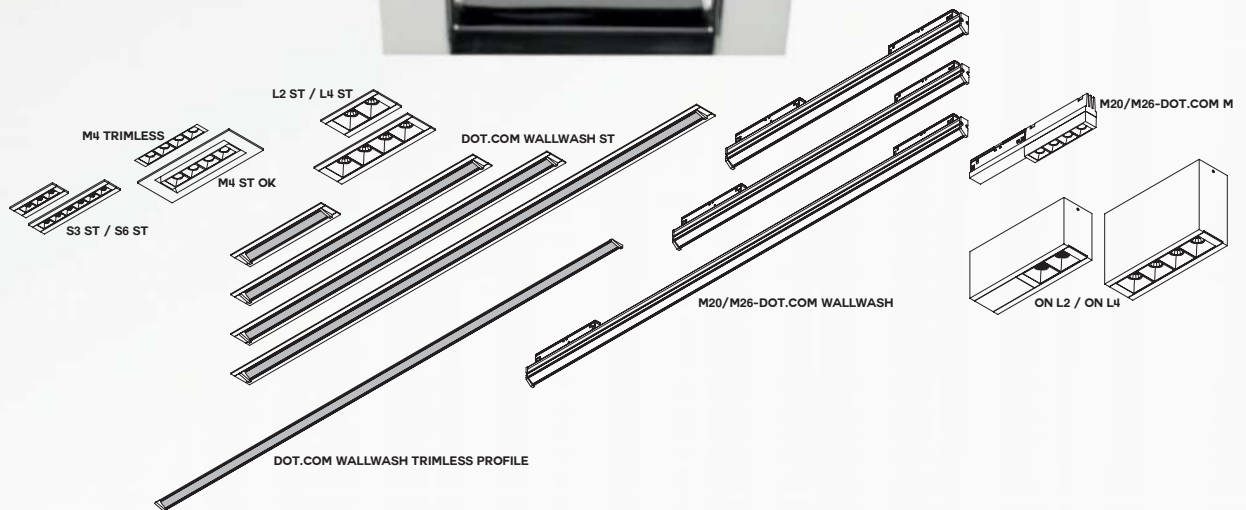
**MONTUR MINI M**  
PAG 121

DEEP RINGO RIBS	PAG 20
DIRO SBL L ON	PAG 49
DOT.COM L	PAG 15
DOT.COM L WALLWASH	PAG 16
DOT.COM M	PAG 13
DOT.COM L ON	PAG 19
DOT.COM S	PAG 11
DOT.COM WALLWASH TR	PAG 98
ELBO BRIDGE P	PAG 125
ELBO SBL P	PAG 123
ELBO P	PAG 123
FEMTOLINE 55	PAG 102
FEMTOLINE W DOWN-UP	PAG 83
FEMTOLINE W DOWN-UP PROFILE	PAG 100
GALA XL R	PAG 79
HEDRA 39 C	PAG 43
HEDRA 45 C	PAG 43
HEDRA 45 C E27	PAG 43
HEDRA 62 C	PAG 45
HEDRA 62 ON	PAG 45
HEDRA 62 W	PAG 47
HEDRA CLIP	PAG 36
HEDRA ON	PAG 38
HEDRA ON	PAG 41
KASKADE	PAG 81
KASKADE	PAG 112
LOGO	PAG 119
MICRO DEEP RINGO X	PAG 117
MIDISPY	PAG 23
MONTUR MINI M	PAG 121
MONTUR MINI S	PAG 121
MONTUR MINI S P	PAG 122
ONE-AND-ONLY	PAG 75
ONE-AND-ONLY PROFILE	PAG 110
ORBIT PUNK	PAG 33
POLESANO	PAG 126
PUNK 39 CLIP	PAG 27
PUNK 45 C	PAG 29
PUNK 62 C	PAG 30
REO RIBS	PAG 21
SHIFTLINE M26	PAG 88
SPLITLINE M20	PAG 88
SPLITLINE M52	PAG 88
STIP W R	PAG 120
STIP W S	PAG 120
SUPERLOOP - SPY SOFT	PAG 61
SUPERLOOP - XY180	PAG 61
SUPERLOOP FIX	PAG 59
SUPERLOOP HEDRA	PAG 58
SUPERLOOP VIZIR	PAG 58
SUPERNOVA FLAT	PAG 50
SUPERNOVA FLAT DOWN-UP	PAG 53
SUPERNOVA FLAT SMOOTH-UP	PAG 51
TAGLINE ON	PAG 108
TAGLINE ST	PAG 108
TAGLINE TR	PAG 104
TAGLINE TRIMLESS	PAG 77
TAGLINE TRW	PAG 104
VIZIR CLIP	PAG 36
VIZIR ON	PAG 38
VIZIR ON	PAG 41
WINDOW	PAG 55
WINDOW DOWN-UP	PAG 55
XY180 F	PAG 71
XY180 MINI	PAG 67
XY180 PUNK	PAG 65



# DOT.COM

## FAMILY



# DOT.COM\_

First introduced in 2004 as a single LED luminaire, upscaled in 2008 as a multiple LED luminaire with 4 or 6 LED dots, implemented in the profile section in 2010 as a module with 4 or 6 LEDs, the history of Dot.Com within the Delta Light® range goes way back. With LEDs being utterly functional and performant nowadays, Dot.Com is up to its second revival, coming as a complete family of luminaires with multiple LED dots to create the most discreet, yet highly functional light settings.

The Small version only needs 25mm of width, a nearly invisible appearance yet with visible impact. The Medium range includes an adjustable version - with tilting possibility of 30° - ideal for instance to emphasize an artwork on the wall. With an output up to 12W per luminaire, the Large range is the most powerful within the Dot.Com series. It comes in both recessed and surface mounted solutions. Furthermore, Dot.Com is not only limited to spotlight beam angles, it also has linear wallwashers in its range for a soft, even light effect on vertical surfaces. These come as single luminaires, as modules to fit in the magnetic profiles and as a bespoke trimless profile solution, perfect to adapt the light to your specific desires.



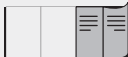
		DIMENSION		LED	PAG
<b>S ST</b> 	58 x 20	-	-		PAG 11
	112 x 20	-	-		
<b>M TRIMLESS</b> 	127 x 36	-	-		PAG 13
<b>M ST OK</b> 	136 x 40	-	✓		PAG 13
<b>L ST</b> 	84 x 40	-	-		PAG 15
	158 x 40	-	-		
<b>WALLWASH</b> 	220 x 40	-	-	WALLWASH	PAG 16
	624 x 40	-	-	WALLWASH	
	824 x 40	-	-	WALLWASH	
	1224 x 40	-	-	WALLWASH	
<b>L ON</b> 	-	168 x 50 x 62	-		PAG 19
	-	168 x 50 x 108	-		
<b>M PROFILE</b> 	-	208	-		PAG 92
	-	220	-	WALLWASH	
	-	614	-	WALLWASH	
	-	814	-	WALLWASH	
	-	1214	-	WALLWASH	
<b>TRIMLESS WALLWASH</b> 	-	MADE TO MEASURE	-	WALLWASH	PAG 98



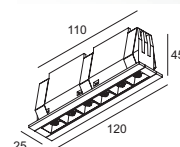
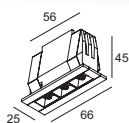
FULL INFO TECHNICAL CHAPTER

OPTIONS

**CONTROL GEAR**  
**LED POWER SUPPLY**  
**ALL INFO ON FOLD-OUT COVER**



DOT.COM S ST



58 x 20 x 50 / min.8

112 x 20 x 50 / min.8

CRI > 90

DOT.COM S3 ST

DOT.COM S6 ST

3000 K

LED CLUSTER 3W / 303lm / 350mA

LED CLUSTER 6W / 606lm / 350mA



424 211 03 932 ◊  
 ◊ = B-B / W-B

424 211 06 932 ◊  
 ◊ = B-B / W-B



424 211 03 933 ◊  
 ◊ = B-B / W-B

424 211 06 933 ◊  
 ◊ = B-B / W-B

2700 K

LED CLUSTER 3W / 294lm / 350mA

LED CLUSTER 6W / 588lm / 350mA



424 211 03 922 ◊  
 ◊ = B-B / W-B

424 211 06 922 ◊  
 ◊ = B-B / W-B



424 211 03 923 ◊  
 ◊ = B-B / W-B

424 211 06 923 ◊  
 ◊ = B-B / W-B

NON ADJUSTABLE

CE 0.2 IP20

OPTIONS

LED POWER SUPPLY 350mA-DC / DIM

NON ADJUSTABLE

CE 0.3 IP20

OPTIONS

LED POWER SUPPLY 350mA-DC / DIM



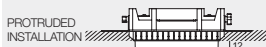
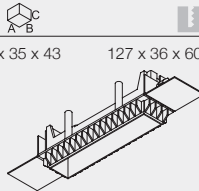


FULL INFO TECHNICAL CHAPTER **REQUIREMENTS**

**INSTALLATION**

**MOUNTING KIT** 199 x 35 x 43 127 x 36 x 60  
**DOT.COM M4 TRIMLESS**  
**424 512 04 00**

5 - 22



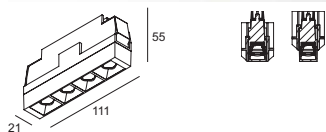
FULL INFO TECHNICAL CHAPTER **OPTIONS**

**CONTROL GEAR**

**LED POWER SUPPLY**  
**ALL INFO ON FOLD-OUT COVER**

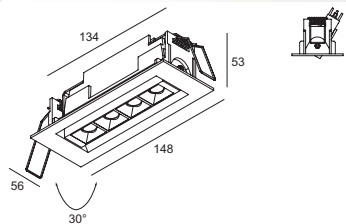


**DOT.COM M4 TRIMLESS**



KIT x 60

**DOT.COM M4 ST OK**



136 x 40 x 58 / max.25

**CRI > 90**

**DOT.COM M4 TRIMLESS**

**DOT.COM M4 ST OK**

3000 K

LED CLUSTER 5,6W / 628lm / 500mA

LED CLUSTER 5,6W / 628lm / 500mA



**424 512 04 931** ◊  
 ◊ = B / C / MMAT

**424 222 04 931** ◊  
 ◊ = B-B / B-C / B-MMAT  
 W-B / W-C / W-MMAT



**424 512 04 932** ◊  
 ◊ = B / C / MMAT

**424 222 04 932** ◊  
 ◊ = B-B / B-C / B-MMAT  
 W-B / W-C / W-MMAT



**424 512 04 933** ◊  
 ◊ = B / C / MMAT

**424 222 04 933** ◊  
 ◊ = B-B / B-C / B-MMAT  
 W-B / W-C / W-MMAT

2700 K

LED CLUSTER 5,6W / 612lm / 500mA

LED CLUSTER 5,6W / 612lm / 500mA



**424 512 04 921** ◊  
 ◊ = B / C / MMAT

**424 222 04 921** ◊  
 ◊ = B-B / B-C / B-MMAT  
 W-B / W-C / W-MMAT



**424 512 04 922** ◊  
 ◊ = B / C / MMAT

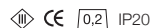
**424 222 04 922** ◊  
 ◊ = B-B / B-C / B-MMAT  
 W-B / W-C / W-MMAT



**424 512 04 923** ◊  
 ◊ = B / C / MMAT

**424 222 04 923** ◊  
 ◊ = B-B / B-C / B-MMAT  
 W-B / W-C / W-MMAT

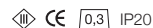
NON ADJUSTABLE



**REQUIREMENTS**  
 MOUNTING KIT DOT.COM M4 TRIMLESS

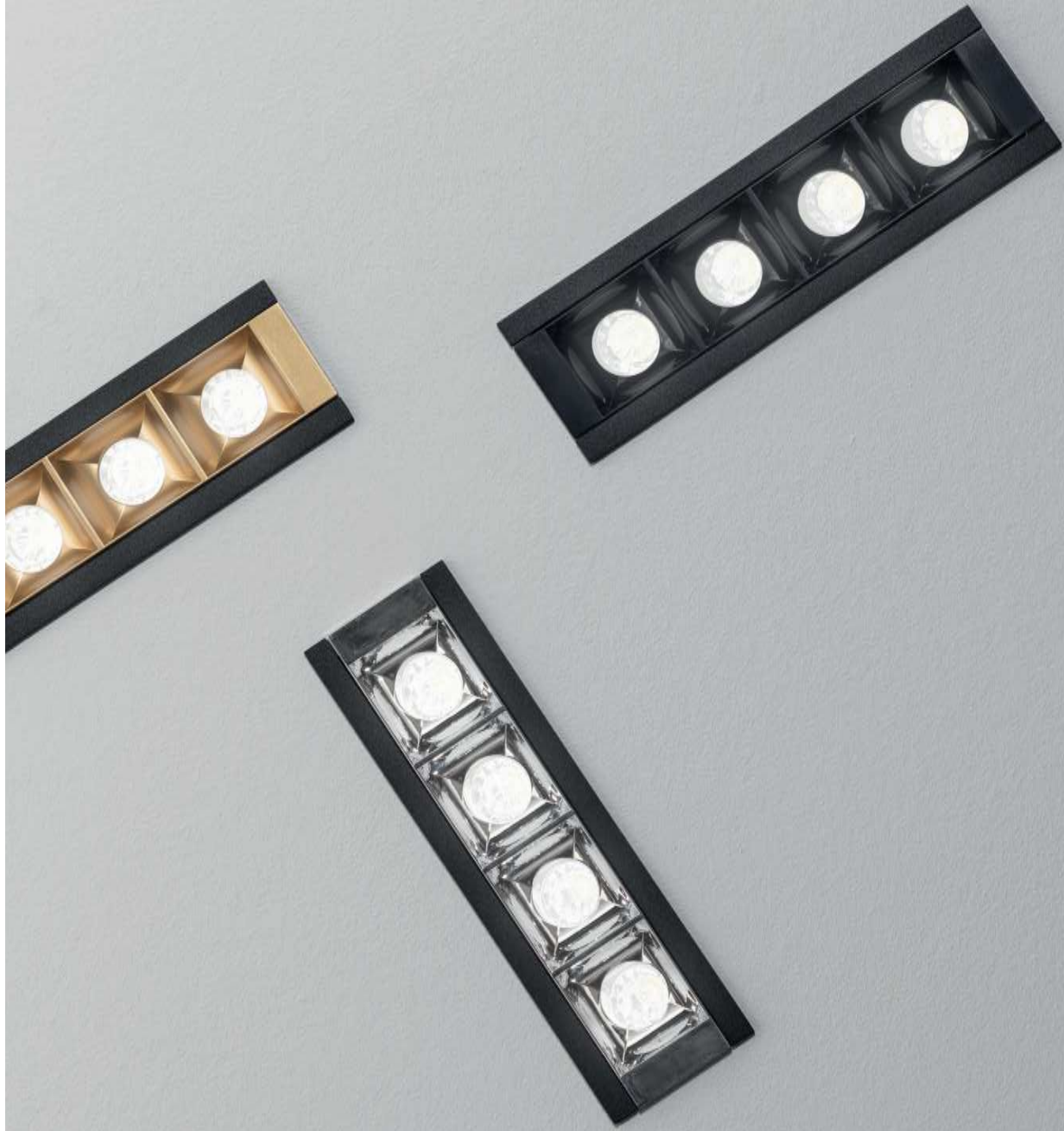
**OPTIONS**  
 LED POWER SUPPLY 500mA-DC / DIM

ADJUSTABLE 30°



**OPTIONS**  
 LED POWER SUPPLY 500mA-DC / DIM





FULL INFO TECHNICAL CHAPTER

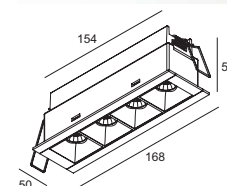
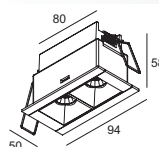
OPTIONS

CONTROL GEAR

LED POWER SUPPLY  
ALL INFO ON FOLD-OUT COVER



DOT.COM L ST



84 x 40 x 62 / max.30

158 x 40 x 62 / max.30

CRI > 90	DOT.COM L2 ST	DOT.COM L4 ST
3000 K	LED CLUSTER 6,2W / 546lm / 1050mA	LED CLUSTER 12,4W / 1092lm / 1050mA
REFL SP 16°	424 213 02 931 ◊ ◊ = B-B / B-C / B-MMAT W-B / W-C / W-MMAT	424 213 04 931 ◊ ◊ = B-B / B-C / B-MMAT W-B / W-C / W-MMAT
REFL FL 32°	424 213 02 932 ◊ ◊ = B-B / B-C / B-MMAT W-B / W-C / W-MMAT	424 213 04 932 ◊ ◊ = B-B / B-C / B-MMAT W-B / W-C / W-MMAT
REFL WFL 46°	424 213 02 933 ◊ ◊ = B-B / B-C / B-MMAT W-B / W-C / W-MMAT	424 213 04 933 ◊ ◊ = B-B / B-C / B-MMAT W-B / W-C / W-MMAT
2700 K	LED CLUSTER 6,2W / 530lm / 1050mA	LED CLUSTER 12,4W / 1060lm / 1050mA
REFL SP 16°	424 213 02 921 ◊ ◊ = B-B / B-C / B-MMAT W-B / W-C / W-MMAT	424 213 04 921 ◊ ◊ = B-B / B-C / B-MMAT W-B / W-C / W-MMAT
REFL FL 32°	424 213 02 922 ◊ ◊ = B-B / B-C / B-MMAT W-B / W-C / W-MMAT	424 213 04 922 ◊ ◊ = B-B / B-C / B-MMAT W-B / W-C / W-MMAT
REFL WFL 46°	424 213 02 923 ◊ ◊ = B-B / B-C / B-MMAT W-B / W-C / W-MMAT	424 213 04 923 ◊ ◊ = B-B / B-C / B-MMAT W-B / W-C / W-MMAT
	NON ADJUSTABLE ◊ CE 0,3 IP20	NON ADJUSTABLE ◊ CE 0,4 IP20
	OPTIONS LED POWER SUPPLY 1050mA-DC / DIM	OPTIONS LED POWER SUPPLY 1050mA-DC / DIM





OPTIONS

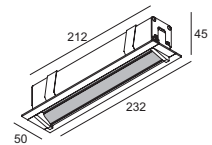
CONTROL GEAR



LED POWER SUPPLY  
ALL INFO ON FOLD-OUT COVER



CTRL DELTA R  
**DOT.COM L WALLWASH ST**



220 x 40 x 50 / min.10

CRI > 90

**DOT.COM L WALLWASH 02 HO ST**

3000 K

LED CLUSTER 10W / 1000lm / 350mA



**424 242 02 93** ◇  
◇ = W-B

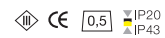
2700 K

LED CLUSTER 10W / 1000lm / 350mA



**424 242 02 93** ◇  
◇ = W-B

NON ADJUSTABLE



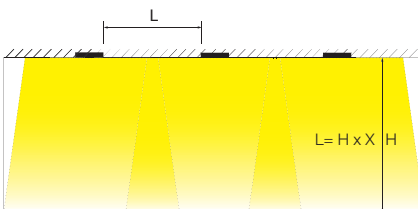
**OPTIONS**

LED POWER SUPPLY 350mA-DC / DIM

POSITION FOR INSTALLATION



example: H=3000 mm → L= 3000 mm x 0,4 = 1200 mm

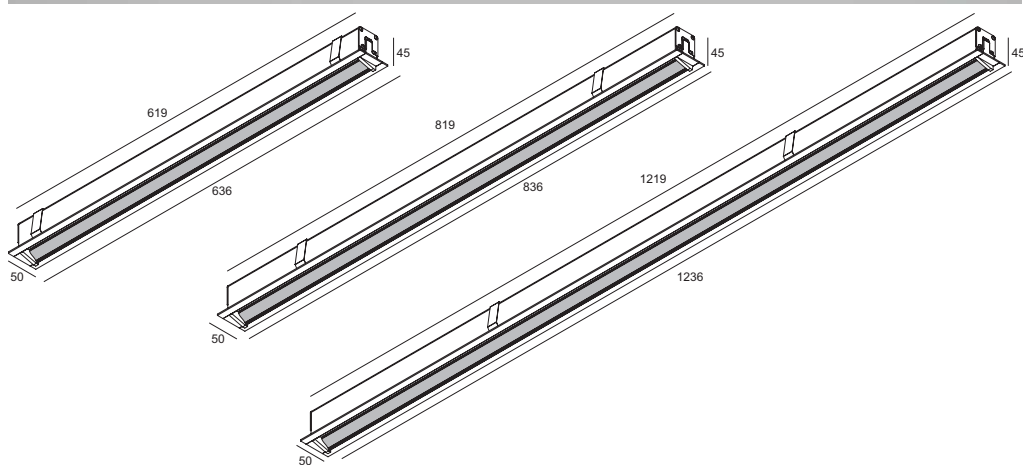


example: H=3000 mm → L= 3000 mm x 0,5 = 1500 mm

	X
DOT.COM L WALLWASH 02	0,5
DOT.COM L WALLWASH 06	0,25
DOT.COM L WALLWASH 08	0,33
DOT.COM L WALLWASH 12	0,5



DOT.COM L WALLWASH ST



624 x 40 x 50 / min.10

824 x 40 x 50 / min.10

1224 x 40 x 50 / min.10

CRI > 90

DOT.COM L WALLWASH 06 ST

DOT.COM L WALLWASH 08 ST

DOT.COM L WALLWASH 12 ST

3000 K

LED CLUSTER 4,7W / 600lm / 350mA

LED CLUSTER 6,3W / 800lm / 500mA

LED CLUSTER 9,3W / 1200lm / 700mA



424 242 06 93 ◊  
◊ = W-B

424 242 08 93 ◊  
◊ = W-B

424 242 12 93 ◊  
◊ = W-B

2700 K

LED CLUSTER 4,7W / 600lm / 350mA

LED CLUSTER 6,3W / 800lm / 500mA

LED CLUSTER 9,3W / 1200lm / 700mA



424 242 06 92 ◊  
◊ = W-B

424 242 08 92 ◊  
◊ = W-B

424 242 12 92 ◊  
◊ = W-B

NON ADJUSTABLE

NON ADJUSTABLE

NON ADJUSTABLE

CE 1,4 IP20 IP43

CE 1,8 IP20 IP43

CE 2,5 IP20 IP43

OPTIONS

LED POWER SUPPLY 350mA-DC / DIM

OPTIONS

LED POWER SUPPLY 500mA-DC / DIM

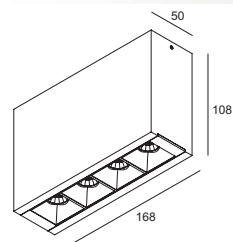
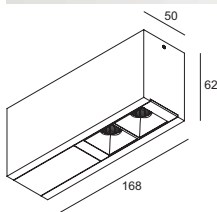
OPTIONS

LED POWER SUPPLY 700mA-DC / DIM





DOT.COM L ON



CRI > 90	DOT.COM L2 ON	DOT.COM L4 ON
<b>3000 K</b>	LED CLUSTER 4W / 408lm / 700mA	LED CLUSTER 12,4W / 1092lm / 1050mA
	<b>424 113 02 931 ED8</b> ◇ ◇ = B-B / W-B	<b>424 113 04 931 ED8</b> ◇ ◇ = B-B / W-B
	<b>424 113 02 932 ED8</b> ◇ ◇ = B-B / W-B	<b>424 113 04 932 ED8</b> ◇ ◇ = B-B / W-B
	<b>424 113 02 933 ED8</b> ◇ ◇ = B-B / W-B	<b>424 113 04 933 ED8</b> ◇ ◇ = B-B / W-B
<b>2700 K</b>	LED CLUSTER 4W / 408lm / 700mA	LED CLUSTER 12,4W / 1060lm / 1050mA
	<b>424 113 02 921 ED8</b> ◇ ◇ = B-B / W-B	<b>424 113 04 921 ED8</b> ◇ ◇ = B-B / W-B
	<b>424 113 02 922 ED8</b> ◇ ◇ = B-B / W-B	<b>424 113 04 922 ED8</b> ◇ ◇ = B-B / W-B
	<b>424 113 02 923 ED8</b> ◇ ◇ = B-B / W-B	<b>424 113 04 923 ED8</b> ◇ ◇ = B-B / W-B
	NON ADJUSTABLE MAINS DIMMING (FE) 220-240V / 50-60Hz ◇   IP20	NON ADJUSTABLE MAINS DIMMING (FE) 220-240V / 50-60Hz ◇   IP20

## REQUIREMENTS

### CONTROL GEAR



**LED POWER SUPPLY**  
650mA-DC DIM5  
300 90 915 ED5

145 x 45 x 30



**LED POWER SUPPLY**  
650mA-DC DIM8  
300 90 915 ED8

125 x 45 x 30



SOFT DIM INFO PAG TEC 11

DIM5: DIMMING BY DALI  
DIM8: DIMMING BY FALLING EDGE DIMMER

## OPTIONS

### INSTALLATION



**PLASTERKIT 101**  
202 11 19

205 x 205

80 x 180

### CONTROL GEAR



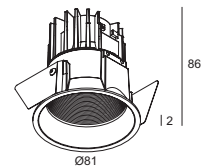
**LED POWER SUPPLY**  
ALL INFO ON FOLD-OUT COVER



REO RIBS FBR



## DEEP RINGO RIBS



76 x 90 / min.5

76 x 90 / min.5

CRI > 90

### DEEP RINGO RIBS

3000  
K

LED [H] 7,1W / 774lm / 350mA  
LED [H] 10,4W / 1075lm / 500mA



202 274 811 932 ◇  
◇ = B / FBR / FG / W

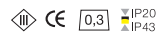
2700  
K

LED [H] 7,1W / 743lm / 350mA  
LED [H] 10,4W / 1032lm / 500mA



202 274 811 922 ◇  
◇ = B / FBR / FG / W

NON ADJUSTABLE



#### OPTIONS

LED POWER SUPPLY 350-500mA-DC / DIM

### DEEP RINGO RIBS IP

LED [H] 7,1W / 774lm / 350mA  
LED [H] 10,4W / 1075lm / 500mA

202 275 811 932 ◇  
◇ = B / FBR / FG / W

LED [H] 7,1W / 743lm / 350mA  
LED [H] 10,4W / 1032lm / 500mA

202 275 811 922 ◇  
◇ = B / FBR / FG / W

NON ADJUSTABLE



#### OPTIONS

LED POWER SUPPLY 350-500mA-DC / DIM

CRI > 90

### DEEP RINGO RIBS SOFT

2700  
1800  
K

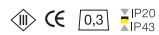


LED 10W / 565lm / 650mA



202 276 1902 ◇  
◇ = B / FBR / FG / W

NON ADJUSTABLE

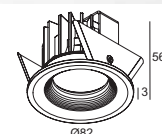
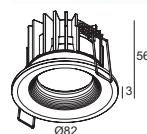


#### REQUIREMENTS

LED POWER SUPPLY 650mA-DC DIM

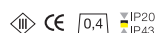


REO RIBS



	76 x 55 max.22	76 x 55
CRI > 90	REO RIBS S1	REO RIBS S2
3000 K	LED [H] 7,1W / 774lm / 350mA LED [H] 10,4W / 1075lm / 500mA	LED [H] 7,1W / 774lm / 350mA LED [H] 10,4W / 1075lm / 500mA
REFL FL 33°	202 263 811 932 ◊ ◊ = FBR / FG / W	202 2632 811 932 ◊ ◊ = FBR / FG / W
REFL WFL 50°	202 263 811 933 ◊ ◊ = FBR / FG / W	202 2632 811 933 ◊ ◊ = FBR / FG / W
2700 K	LED [H] 7,1W / 743lm / 350mA LED [H] 10,4W / 1032lm / 500mA	LED [H] 7,1W / 743lm / 350mA LED [H] 10,4W / 1032lm / 500mA
REFL FL 33°	202 263 811 922 ◊ ◊ = FBR / FG / W	202 2632 811 922 ◊ ◊ = FBR / FG / W
REFL WFL 50°	202 263 811 923 ◊ ◊ = FBR / FG / W	202 2632 811 923 ◊ ◊ = FBR / FG / W

NON ADJUSTABLE

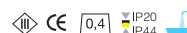


OPTIONS

PLASTERKIT 101 (ONLY FOR S1)  
LED POWER SUPPLY 350-500mA-DC / DIM

	76 x 55 max.22	76 x 55
	REO RIBS IP S1	REO RIBS IP S2
	LED [H] 7,1W / 774lm / 350mA LED [H] 10,4W / 1075lm / 500mA	LED [H] 7,1W / 774lm / 350mA LED [H] 10,4W / 1075lm / 500mA
	202 264 811 932 ◊ ◊ = FBR / FG / W	202 2642 811 932 ◊ ◊ = FBR / FG / W
	202 264 811 933 ◊ ◊ = FBR / FG / W	202 2642 811 933 ◊ ◊ = FBR / FG / W
	LED [H] 7,1W / 743lm / 350mA LED [H] 10,4W / 1032lm / 500mA	LED [H] 7,1W / 743lm / 350mA LED [H] 10,4W / 1032lm / 500mA
	202 264 811 922 ◊ ◊ = FBR / FG / W	202 2642 811 922 ◊ ◊ = FBR / FG / W
	202 264 811 923 ◊ ◊ = FBR / FG / W	202 2642 811 923 ◊ ◊ = FBR / FG / W

NON ADJUSTABLE

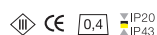


OPTIONS

PLASTERKIT 101 (ONLY FOR S1)  
LED POWER SUPPLY 350-500mA-DC / DIM

CRI > 90	REO RIBS SOFT S1	REO RIBS SOFT S2
2700 1800 K SOFT DIM	LED 10W / 565lm / 650mA	LED 10W / 565lm / 650mA
REFL WFL 40°	202 265 1902 ◊ ◊ = FBR / FG / W	202 2652 1902 ◊ ◊ = FBR / FG / W

NON ADJUSTABLE



REQUIREMENTS

LED POWER SUPPLY 650mA-DC DIM

OPTIONS

PLASTERKIT 101 (ONLY FOR S1)



FULL INFO TECHNICAL CHAPTER

## REQUIREMENTS

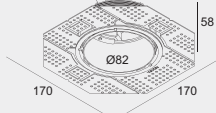
### INSTALLATION

#### MOUNTING KIT MIDISPY TRIMLESS O.F.A.

414 21 00

112 max.25

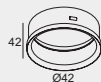
0,4



#### MIDISPY TUBE

414 03 00

◇ = B / FBR / FG / MMAT / SG / W

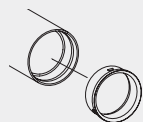


FULL INFO TECHNICAL CHAPTER

## OPTIONS

### CONTROL GEAR

LED POWER SUPPLY  
ALL INFO ON FOLD-OUT COVER



MIDISPY TUBE B



MIDISPY TUBE FBR



MIDISPY TUBE FG



MIDISPY TUBE MMAT



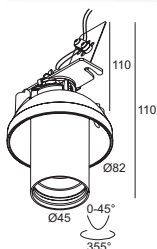
MIDISPY TUBE SG



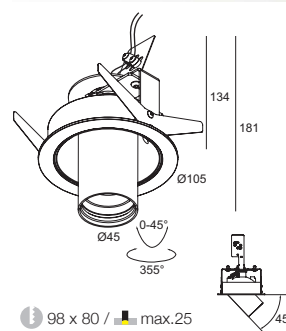
MIDISPY TUBE W



## MIDISPY



1 ØKIT x 80



1 98 x 80 / max.25

CRI > 80

### MIDISPY TRIMLESS IN

3000 K

LED [C] 4,1W / 425lm / 350mA



414 212 832

◇ = B / W

2700 K

LED [C] 4,1W / 425lm / 350mA



414 212 822

◇ = B / W

ADJUSTABLE 0-45° / 355°

IP20

#### REQUIREMENTS

MOUNTING KIT MIDISPY TRIMLESS O.F.A.  
MIDISPY TUBE

#### OPTIONS

LED POWER SUPPLY 350mA-DC / DIM

### MIDISPY ST

LED [C] 4,1W / 425lm / 350mA

414 232 832

◇ = W-W

LED [C] 4,1W / 425lm / 350mA

414 232 822

◇ = W-W

ADJUSTABLE 0-45° / 355°

IP20

#### REQUIREMENTS

MIDISPY TUBE

#### OPTIONS

LED POWER SUPPLY 350mA-DC / DIM

CRI > 90

3000 K

LED [D] 6,4W / 587lm / 350mA



414 211 933

◇ = B / W

2700 K

LED [D] 6,4W / 587lm / 350mA



414 211 923

◇ = B / W

ADJUSTABLE 0-45° / 355°

IP20

#### REQUIREMENTS

MOUNTING KIT MIDISPY TRIMLESS O.F.A.  
MIDISPY TUBE

#### OPTIONS

LED POWER SUPPLY 350mA-DC / DIM

LED [D] 6,4W / 587lm / 350mA

414 231 933

◇ = W-W

LED [D] 6,4W / 587lm / 350mA

414 231 923

◇ = W-W

ADJUSTABLE 0-45° / 355°

IP20

#### REQUIREMENTS

MIDISPY TUBE

#### OPTIONS

LED POWER SUPPLY 350mA-DC / DIM

PATENTED EX-CENTRIC ROTATION SYSTEM®





**SPY**

**PUNK COVER**  
PUNK CONCEPT BY OMA

---

# PUNK – MAY CAUSE CREATIVITY & PERSONALITY

Step away from brave, alter yourself and dare to dare. This brand new design on the well-known Spy family breathes creativity and allows you to play with light and texture. This Punk design has been added within the existing range as a sleeve – for Spy with Ø62mm – or as a single luminaire, leaving you with the familiar optics but adding new experiences. To be able to integrate this experience throughout your project, new pendants and wall luminaires have been launched with Punk design. Available in Black, Gold Champagne and Black Pure, a Black colored finish with pure aluminum topped spikes.



**SPY PUNK SLEEVE**  
414 11 00 ◊  
◊ = B / BP / GC



**SPY ON**  
INT 299



**SPY CLIP**  
INT 299



**MAGNETIC PROFILES - SPY**  
INT 299



**SUPERLOOP - SPY**  
INT 299

	Ø BODY		LAMP						
 <b>PUNK 39</b>	Ø39	✓	LED	✓	-	-	-	-	✓
 <b>PUNK 45</b>	Ø45	-	LED	-	-	✓	-	-	-
 <b>PUNK 62</b>	Ø62	✓	LED	✓ + PUNK SLEEVE	✓ + PUNK SLEEVE	✓ + PUNK SLEEVE	-	✓ + PUNK SLEEVE	-
		-	QPAR 51	-	-	✓	✓	-	



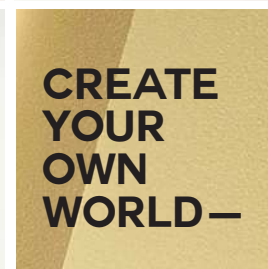
SPY ON &  
SPY PUNK SLEEVE B



SPY ON &  
SPY PUNK SLEEVE GC



SPY ON &  
SPY PUNK SLEEVE BP





FULL INFO TECHNICAL CHAPTER

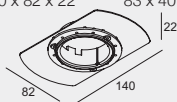
**OPTIONS**

**INSTALLATION**



**MOUNTING KIT FLUSH SPY 414 90 01** 140 x 82 x 22 83 x 40

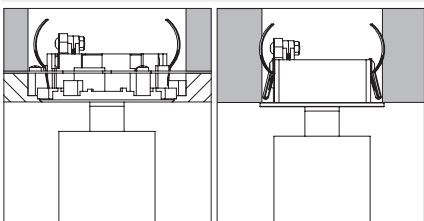
83 9 or 12



0,2

**CONTROL GEAR**

**LED POWER SUPPLY**  
**ALL INFO ON FOLD-OUT COVER**

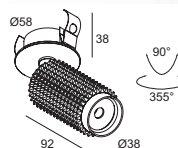


PUNK CLIP + MOUNTING KIT FLUSH SPY

PUNK CLIP



**PUNK 39 CLIP**



50 x 40

**CRI > 90**

**PUNK 39 CLIP**

**3000 K**

LED [H] 7,1W / 774lm / 350mA



**471 111 811 931** ◇  
◇ = B-B

**2700 K**

LED [H] 7,1W / 743lm / 350mA



**471 111 811 921** ◇  
◇ = B-B

ADJUSTABLE 0-90° / 355°

CE 0,4 IP20

**OPTIONS**

MOUNTING KIT FLUSH SPY  
LED POWER SUPPLY 350mA-DC / DIM



FULL INFO TECHNICAL CHAPTER

## REQUIREMENTS

### INSTALLATION

#### MIDISPY TUBE ◊

414 03 00 ◊

◊ = B / FBR / FG / MMAT / SG / W



FULL INFO TECHNICAL CHAPTER

## OPTIONS

### INSTALLATION

#### SUSPENSION + CONNECTION TRIMLESS

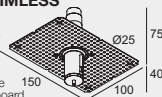
328 10 02

INCL. 1 x AUTOMATIC ADJUSTMENT

INCL. 1 x CONNECTOR 3 x 2.5mm<sup>2</sup>

[play.detailight.com/suspensiontrimlessconcrete](http://play.detailight.com/suspensiontrimlessconcrete)

[play.detailight.com/suspensiontrimlessplasterboard](http://play.detailight.com/suspensiontrimlessplasterboard)



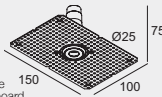
#### CONNECTION TRIMLESS

328 10 03

INCL. 1 x CONNECTOR 3 x 2.5mm<sup>2</sup>

[play.detailight.com/suspensiontrimlessconcrete](http://play.detailight.com/suspensiontrimlessconcrete)

[play.detailight.com/suspensiontrimlessplasterboard](http://play.detailight.com/suspensiontrimlessplasterboard)



#### COVERSET R ◊

204 00 90 ◊

Ø90

204 00 100 ◊

Ø100

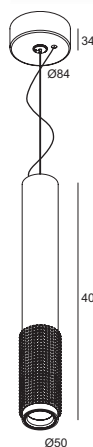
◊ = ANO / B / W



SUSPENSION + CONNECTION TRIMLESS



## PUNK 45 C



CRI > 90

### PUNK 451 C

3000 K

LED 6,4W / 587lm / 350mA

FE



471 221 932 ED8 ◊

◊ = B / BP / GC

2700 K

LED 6,4W / 587lm / 350mA

FE



471 221 922 ED8 ◊

◊ = B / BP / GC

INCL. 1 x CABLE SUSP. SINGLE AUTO. 1.6m

INCL. 1 x CABLE 2 x 0.75mm<sup>2</sup>

MAINS DIMMING (FE)

220-240V / 50-60Hz

◊ CE 0.9 IP20

#### REQUIREMENTS

MIDISPY TUBE

#### OPTIONS

SUSPENSION + CONNECTION TRIMLESS

COVERSET R 90-100

### PUNK 452 C

LED 6,4W / 587lm / 350mA

471 222 932 ED8 ◊

◊ = B / GC

LED 6,4W / 587lm / 350mA

471 222 922 ED8 ◊

◊ = B / GC

INCL. 1 x CABLE SUSP. SINGLE AUTO. 1.6m

INCL. 1 x CABLE 2 x 0.75mm<sup>2</sup>

MAINS DIMMING (FE)

220-240V / 50-60Hz

◊ CE 1.0 IP20

#### REQUIREMENTS

MIDISPY TUBE

#### OPTIONS

SUSPENSION + CONNECTION TRIMLESS

COVERSET R 90-100

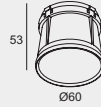


FULL INFO TECHNICAL CHAPTER

**REQUIREMENTS****INSTALLATION****SPY TUBE** ◇

414 01 00 ◇

◇ = B / FBR / FG / MMAT / SG / W



FULL INFO TECHNICAL CHAPTER

**OPTIONS****INSTALLATION****SUSPENSION + CONNECTION TRIMLESS**

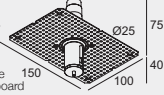
328 10 02

INCL. 1 x AUTOMATIC ADJUSTMENT

INCL. 1 x CONNECTOR 3 x 2.5mm<sup>2</sup>

play.deltalight.com/suspensiontrimlessconcrete

play.deltalight.com/suspensiontrimlessplasterboard

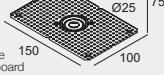
**CONNECTION TRIMLESS**

328 10 03

INCL. 1 x CONNECTOR 3 x 2.5mm<sup>2</sup>

play.deltalight.com/suspensiontrimlessconcrete

play.deltalight.com/suspensiontrimlessplasterboard

**COVERSET R** ◇

204 00 90 ◇

Ø90

204 00 100 ◇

Ø100

◇ = ANO / B / W



FULL INFO TECHNICAL CHAPTER

**ACCESSORIES****HONEYCOMB 50** ◇

Ø50

413 03 01 ◇

◇ = B

**LINEAR SPREAD LENS 50**

413 03 02

Ø50

**SPREAD LENS 50**

413 03 03

Ø50

**SOFTENING LENS 50**

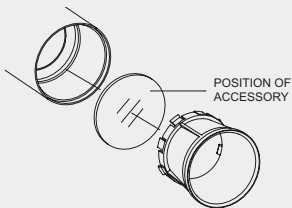
413 03 04

Ø50

**GLASS SBL 50**

413 03 05

Ø50



POSITION OF ACCESSORY



SPY TUBE B

FBR

FG

MMAT

SG

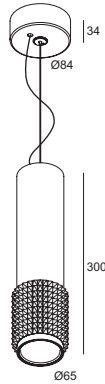
W

**BP**

SUSPENSION + CONNECTION TRIMLESS



CTRL DELTA R

**PUNK 621 C**

CRI &gt; 90

**PUNK 621 C**

3000 K

LED 7,1W / 774lm / 350mA

FE



471 321 811 932 ED8 ◇

◇ = B / BP / GC

2700 K

LED 7,1W / 743lm / 350mA

FE



471 321 811 922 ED8 ◇

◇ = B / BP / GC

INCL. 1 x CABLE SUSP. SINGLE AUTO. 1.6m  
INCL. 1 x CABLE 2 x 0.75mm<sup>2</sup>  
MAINS DIMMING (FE)  
220-240V / 50-60Hz

◇ CE 1,1 IP20

**REQUIREMENTS**

SPY TUBE

**OPTIONS**SUSPENSION + CONNECTION TRIMLESS  
COVERSET R 90-100**ACCESSORIES**

HONEYCOMB / LENS / GLASS

**PUNK 621 C HI**

1 x QPAR51 max.35W

471 321 00 ◇

◇ = B / BP / GC

INCL. 1 x CABLE SUSP. SINGLE AUTO. 1.6m  
INCL. 1 x CABLE 2 x 0.75mm<sup>2</sup>  
GU10 / 100-240V / 50-60Hz

◇ CE 0,5 IP20 0,5

**OPTIONS**SUSPENSION + CONNECTION TRIMLESS  
COVERSET R 90-100

LED SOLUTION - PAG TEC 7

CRI &gt; 90

**PUNK 621 C SOFT**

2700 K

1800 K

SOFT DIM

LED 10W / 565lm / 650mA

FE



471 321 1902 ED8 ◇

◇ = B / BP / GC

INCL. 1 x CABLE SUSP. SINGLE AUTO. 1.6m  
INCL. 1 x CABLE 2 x 0.75mm<sup>2</sup>  
MAINS DIMMING (FE)  
220-240V / 50-60Hz

◇ CE 1,2 IP20

**REQUIREMENTS**

SPY TUBE

**OPTIONS**SUSPENSION + CONNECTION TRIMLESS  
COVERSET R 90-100**ACCESSORIES**

HONEYCOMB / LENS / GLASS

**PUNK 622 C**



CRI > 90	PUNK 622 C
3000 K	LED 7,1W / 774lm / 350mA
FE REFL FL 33°	471 322 811 932 ED8 ◇ ◇ = B / GC
2700 K	LED 7,1W / 743lm / 350mA
FE REFL FL 33°	471 322 811 922 ED8 ◇ ◇ = B / GC
INCL.1 x CABLE SUSP. SINGLE AUTO. 1.6m INCL.1 x CABLE 2 x 0.75mm <sup>2</sup> MAINS DIMMING (FE) 220-240V / 50-60Hz ◇ CE 1.1 IP20	
<b>REQUIREMENTS</b> SPY TUBE <b>OPTIONS</b> SUSPENSION + CONNECTION TRIMLESS COVERSET R 90-100 <b>ACCESSORIES</b> HONEYCOMB / LENS / GLASS	

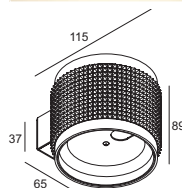
PUNK 622 C Hi
1 x QPAR51 max.35W
471 322 00 ◇ ◇ = B / GC
INCL.1 x CABLE SUSP. SINGLE AUTO. 1.6m INCL.1 x CABLE 2 x 0.75mm <sup>2</sup> GU10 / 100-240V / 50-60Hz ◇ CE 1.0 IP20 0,5
<b>OPTIONS</b> SUSPENSION + CONNECTION TRIMLESS COVERSET R 90-100 LED SOLUTION - PAG TEC 7

CRI > 90	PUNK 622 C SOFT
2700 K 1800 K SOFT DIM	LED 10W / 565lm / 650mA
FE REFL WFL 40°	471 322 1902 ED8 ◇ ◇ = B / GC
INCL.1 x CABLE SUSP. SINGLE AUTO. 1.6m INCL.1 x CABLE 2 x 0.75mm <sup>2</sup> MAINS DIMMING (FE) 220-240V / 50-60Hz ◇ CE 1.3 IP20	
<b>REQUIREMENTS</b> SPY TUBE <b>OPTIONS</b> SUSPENSION + CONNECTION TRIMLESS COVERSET R 90-100 <b>ACCESSORIES</b> HONEYCOMB / LENS / GLASS	

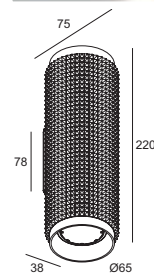




**ORBIT PUNK LED**



**ORBIT PUNK HI**



CRI > 90

**ORBIT PUNK LED**

3000 K

2 x LED 3W / 280lm / 350mA

FE

271 08 93 ED8 ◊  
◊ = BP-MMAT / GC-B

2700 K

2 x LED 3W / 252lm / 350mA

FE

271 08 92 ED8 ◊  
◊ = BP-MMAT / GC-B

MAINS DIMMING (FE)  
220-240V / 0/50-60Hz

CE 0,5 IP20

**ORBIT PUNK HI**

2 x QPAR51 max.35W

472 361 00 ◊  
◊ = BP / GC

GU10 / 100-240V / 50-60Hz

CE 0,6 IP20 0,5

**OPTIONS**  
LED SOLUTION - PAG TEC 7



**VIZIR**  
—  
**HEDRA**

# CAPTURE EVERY FACET OF LIGHT —

Vizir and Hedra, two new members of the Delta Light® family, add refinement, finesse and color to the range. Vizir is characterized by its atypical hinge, a design element that not only catches the eye, but also serves as storage for technical parts inside the luminaire.

Next to black and white, Vizir comes in the new Gold Champagne and Black Bronze finishes, either polished or in faceted texture.

This faceted design exists out of many different planes that capture and reflect the ambient light with an ever-changing look as result. It is also the typical design element of the Hedra family, a series of pendant, spotlight and wall mounted luminaires, available as full LED solution or for retrofit bulbs.

	Ø BODY		LAMP					
 <b>VIZIR</b>	Ø39	-	-	-	-	-	-	-
	Ø50	✓	LED	✓	✓	✓	-	✓
	Ø62	-	-	-	-	-	-	-
 <b>HEDRA</b>	Ø39	✓	LED	-	-	✓	-	-
	Ø50	✓	LED	✓	✓	✓	-	✓
			E27	-	-	✓	-	-
Ø62	✓	-	QPAR51	-	✓	✓	✓	-

## REQUIREMENTS

### INSTALLATION

**VIZIR TUBE** ◊  
**473 01 00** ◊  
 ◊ = B / FBR / FG / W



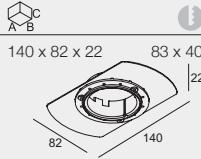
### OPTIONS

### INSTALLATION

**MOUNTING KIT FLUSH SPY** 140 x 82 x 22 83 x 40  
**414 90 01**

83 9 or 12

0,2



### CONTROL GEAR

**LED POWER SUPPLY**  
**ALL INFO ON FOLD-OUT COVER**



### ACCESSORIES

**VIZIR HONEYCOMB** ◊

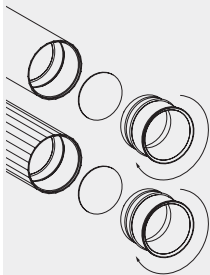
**473 03 01** ◊  
 ◊ = B

Ø40

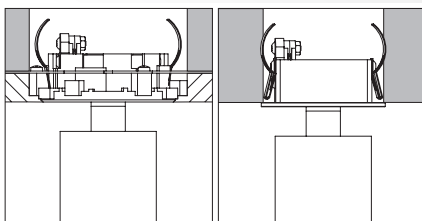


**VIZIR SOFTENING LENS**  
**473 03 04**

Ø40



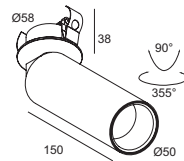
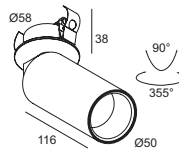
VIZIR TUBE B VIZIR TUBE FBR VIZIR TUBE FG VIZIR TUBE W



VIZIR CLIP + MOUNTING KIT FLUSH SPY

VIZIR CLIP

## VIZIR CLIP



50 x 40

CRI > 80

### VIZIR CLIP

3000 K

LED [C] 6W / 558lm / 500mA



**473 111 831** ◊  
 ◊ = BBR-B / GC-B / W-W

2700 K

LED [C] 6W / 558lm / 500mA



**473 111 821** ◊  
 ◊ = BBR-B / GC-B / W-W

ADJUSTABLE 0-90° / 355°

CE 0,4 IP20

### REQUIREMENTS

VIZIR TUBE

### OPTIONS

MOUNTING KIT FLUSH SPY  
 LED POWER SUPPLY 500mA-DC / DIM

### ACCESSORIES

HONEYCOMB / LENS

CRI > 90

### VIZIR CLIP

3000 K

LED [H] 7,1W / 774lm / 350mA



**473 111 811 932** ◊  
 ◊ = BBR-B / GC-B / W-W

2700 K

LED [H] 7,1W / 743lm / 350mA



**473 111 811 922** ◊  
 ◊ = BBR-B / GC-B / W-W

ADJUSTABLE 0-90° / 355°

CE 0,4 IP20

### REQUIREMENTS

VIZIR TUBE

### OPTIONS

MOUNTING KIT FLUSH SPY  
 LED POWER SUPPLY 350mA-DC / DIM

### ACCESSORIES

HONEYCOMB / LENS

50 x 40

### VIZIR L CLIP

LED [H] 10,4W / 1075lm / 500mA

**473 112 811 932** ◊  
 ◊ = BBR-B / GC-B / W-W

LED [H] 10,4W / 1032lm / 500mA

**473 112 811 922** ◊  
 ◊ = BBR-B / GC-B / W-W

ADJUSTABLE 0-90° / 355°

CE 0,4 IP20

### REQUIREMENTS

VIZIR TUBE

### OPTIONS

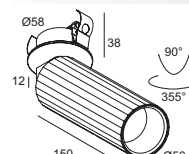
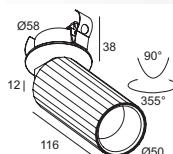
MOUNTING KIT FLUSH SPY  
 LED POWER SUPPLY 500mA-DC / DIM

### ACCESSORIES

HONEYCOMB / LENS



**HEDRA CLIP**



50 x 40

CRI > 80

**HEDRA CLIP**

3000 K

LED [C] 6W / 558lm / 500mA



**473 211 831** ◇  
◇ = B-B / BBR-B / GC-B / W-W

2700 K

LED [C] 6W / 558lm / 500mA



**473 211 821** ◇  
◇ = B-B / BBR-B / GC-B / W-W

ADJUSTABLE 0-90° / 355°

Ⓢ CE 0.3 IP20

**REQUIREMENTS**

VIZIR TUBE

**OPTIONS**

MOUNTING KIT FLUSH SPY  
LED POWER SUPPLY 500mA-DC / DIM

**ACCESSORIES**

HONEYCOMB / LENS

CRI > 90

**HEDRA CLIP**

3000 K

LED [H] 7,1W / 774lm / 350mA



**473 211 811 932** ◇  
◇ = B-B / BBR-B / GC-B / W-W

2700 K

LED [H] 7,1W / 743lm / 350mA



**473 211 811 922** ◇  
◇ = B-B / BBR-B / GC-B / W-W

ADJUSTABLE 0-90° / 355°

Ⓢ CE 0.4 IP20

**REQUIREMENTS**

VIZIR TUBE

**OPTIONS**

MOUNTING KIT FLUSH SPY  
LED POWER SUPPLY 350mA-DC / DIM

**ACCESSORIES**

HONEYCOMB / LENS

50 x 40

**HEDRA L CLIP**

LED [H] 10,4W / 1075lm / 500mA

**473 212 811 932** ◇  
◇ = B-B / BBR-B / GC-B / W-W

LED [H] 10,4W / 1032lm / 500mA

**473 212 811 922** ◇  
◇ = B-B / BBR-B / GC-B / W-W

ADJUSTABLE 0-90° / 355°

Ⓢ CE 0.4 IP20

**REQUIREMENTS**

VIZIR TUBE

**OPTIONS**

MOUNTING KIT FLUSH SPY  
LED POWER SUPPLY 500mA-DC / DIM

**ACCESSORIES**

HONEYCOMB / LENS

## REQUIREMENTS

### INSTALLATION

#### VIZIR TUBE ◊

473 01 00 ◊

◊ = B / FBR / FG / W



## OPTIONS

### CONTROL GEAR

#### LED POWER SUPPLY

ALL INFO ON FOLD-OUT COVER



## ACCESSORIES



#### VIZIR HONEYCOMB ◊

473 03 01 ◊

◊ = B

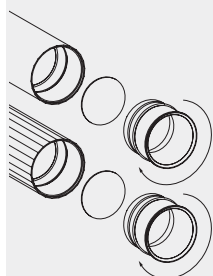
Ø40



#### VIZIR SOFTENING LENS

473 03 04

Ø40



VIZIR TUBE B



VIZIR TUBE FBR



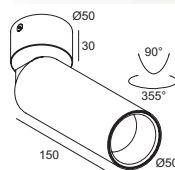
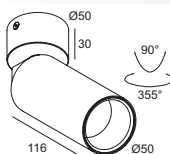
VIZIR TUBE FG



VIZIR TUBE W



## VIZIR ON



CRI > 80

### VIZIR ON

3000 K

LED [C] 6W / 558lm / 500mA



473 131 831 ◊

◊ = BBR-B / GC-B / W-W

2700 K

LED [C] 6W / 558lm / 500mA



473 131 821 ◊

◊ = BBR-B / GC-B / W-W

ADJUSTABLE 0-90° / 355°

⊞ CE 0.3 IP20

#### REQUIREMENTS

VIZIR TUBE

#### OPTIONS

LED POWER SUPPLY 500mA-DC / DIM

#### ACCESSORIES

HONEYCOMB / LENS

CRI > 90

### VIZIR ON

3000 K

LED [H] 7,1W / 774lm / 350mA



473 131 811 932 ◊

◊ = BBR-B / GC-B / W-W

2700 K

LED [H] 7,1W / 743lm / 350mA



473 131 811 922 ◊

◊ = BBR-B / GC-B / W-W

ADJUSTABLE 0-90° / 355°

⊞ CE 0.3 IP20

#### REQUIREMENTS

VIZIR TUBE

#### OPTIONS

LED POWER SUPPLY 350mA-DC / DIM

#### ACCESSORIES

HONEYCOMB / LENS

### VIZIR L ON

LED [H] 10,4W / 1075lm / 500mA

473 132 811 932 ◊

◊ = BBR-B / GC-B / W-W

LED [H] 10,4W / 1032lm / 500mA

473 132 811 922 ◊

◊ = BBR-B / GC-B / W-W

ADJUSTABLE 0-90° / 355°

⊞ CE 0.4 IP20

#### REQUIREMENTS

VIZIR TUBE

#### OPTIONS

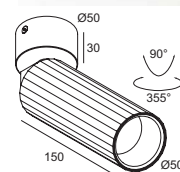
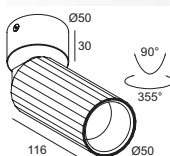
LED POWER SUPPLY 500mA-DC / DIM

#### ACCESSORIES

HONEYCOMB / LENS



HEDRA ON



CRI > 80

HEDRA ON

3000 K

LED [C] 6W / 558lm / 500mA



473 231 831 ◊  
◊ = B-B / BBR-B / GC-B / W-W

2700 K

LED [C] 6W / 558lm / 500mA



473 231 821 ◊  
◊ = B-B / BBR-B / GC-B / W-W

ADJUSTABLE 0-90° / 355°

◊ CE [0.3] IP20

REQUIREMENTS  
VIZIR TUBE

OPTIONS  
LED POWER SUPPLY 500mA-DC / DIM

ACCESSORIES  
HONEYCOMB / LENS

CRI > 90

HEDRA ON

3000 K

LED [H] 7,1W / 774lm / 350mA



473 231 811 932 ◊  
◊ = B-B / BBR-B / GC-B / W-W

2700 K

LED [H] 7,1W / 743lm / 350mA



473 231 811 922 ◊  
◊ = B-B / BBR-B / GC-B / W-W

ADJUSTABLE 0-90° / 355°

◊ CE [0.3] IP20

REQUIREMENTS  
VIZIR TUBE

OPTIONS  
LED POWER SUPPLY 350mA-DC / DIM

ACCESSORIES  
HONEYCOMB / LENS

HEDRA L ON

LED [H] 10,4W / 1075lm / 500mA

473 232 811 932 ◊  
◊ = B-B / BBR-B / GC-B / W-W

LED [H] 10,4W / 1032lm / 500mA

473 232 811 922 ◊  
◊ = B-B / BBR-B / GC-B / W-W

ADJUSTABLE 0-90° / 355°

◊ CE [0.4] IP20

REQUIREMENTS  
VIZIR TUBE

OPTIONS  
LED POWER SUPPLY 500mA-DC / DIM

ACCESSORIES  
HONEYCOMB / LENS





FULL INFO TECHNICAL CHAPTER

## REQUIREMENTS

### INSTALLATION

#### VIZIR TUBE ◊

473 01 00 ◊  
◊ = B / FBR / FG / W



FULL INFO TECHNICAL CHAPTER

## ACCESSORIES



#### VIZIR HONEYCOMB ◊

473 03 01 ◊  
◊ = B

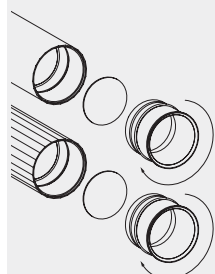
Ø40



#### VIZIR SOFTENING LENS

473 03 04

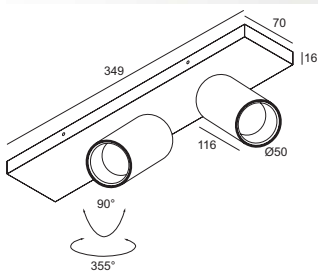
Ø40



OTHER CRI & KELVIN ON REQUEST



## VIZIR ON



CRI > 90

### VIZIR ON 2

3000 K

2 x LED [H] 7,1W / 774lm / 350mA

1-10V



473 131 812 932 ED1 ◊  
◊ = BBR-B / GC-B / W-W

2700 K

2 x LED [H] 7,1W / 743lm / 350mA

1-10V



473 131 812 922 ED1 ◊  
◊ = BBR-B / GC-B / W-W

ADJUSTABLE 0°- 90° / 355°  
220-240V / 50-60Hz

◊ CE 0.9 IP20

#### REQUIREMENTS

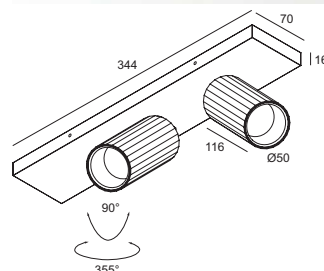
2 x VIZIR TUBE

#### ACCESSORIES

HONEYCOMB / LENS



## HEDRA ON



### HEDRA ON 2

2 x LED [H] 7,1W / 774lm / 350mA

473 231 812 932 ED1 ◊

◊ = B-B / BBR-B / GC-B / W-W

2 x LED [H] 7,1W / 743lm / 350mA

473 231 812 922 ED1 ◊

◊ = B-B / BBR-B / GC-B / W-W

ADJUSTABLE 0°- 90° / 355°  
220-240V / 50-60Hz

◊ CE 0.9 IP20

#### REQUIREMENTS

2 x VIZIR TUBE

#### ACCESSORIES

HONEYCOMB / LENS



FULL INFO TECHNICAL CHAPTER

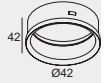
## REQUIREMENTS

### INSTALLATION

#### MIDISPY TUBE ◊

414 03 00 ◊

◊ = B / FBR / FG / MMAT / SG / W



FULL INFO TECHNICAL CHAPTER

## OPTIONS

### INSTALLATION



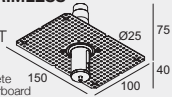
#### SUSPENSION + CONNECTION TRIMLESS

328 10 02

INCL. 1 x AUTOMATIC ADJUSTMENT

INCL. 1 x CONNECTOR 3 x 2.5mm<sup>2</sup>

[play.deltalight.com/suspensiontrimlessconcrete](http://play.deltalight.com/suspensiontrimlessconcrete)  
[play.deltalight.com/suspensiontrimlessplasterboard](http://play.deltalight.com/suspensiontrimlessplasterboard)

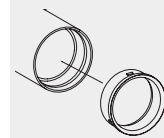
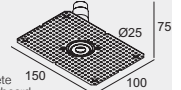


#### CONNECTION TRIMLESS

328 10 03

INCL. 1 x CONNECTOR 3 x 2.5mm<sup>2</sup>

[play.deltalight.com/suspensiontrimlessconcrete](http://play.deltalight.com/suspensiontrimlessconcrete)  
[play.deltalight.com/suspensiontrimlessplasterboard](http://play.deltalight.com/suspensiontrimlessplasterboard)



MIDISPY TUBE B



MIDISPY TUBE FBR



MIDISPY TUBE FG



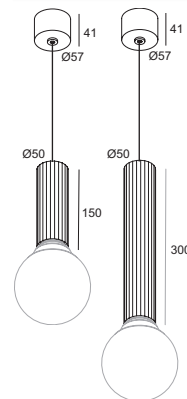
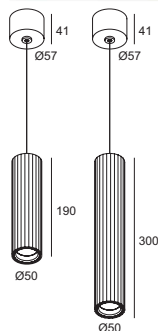
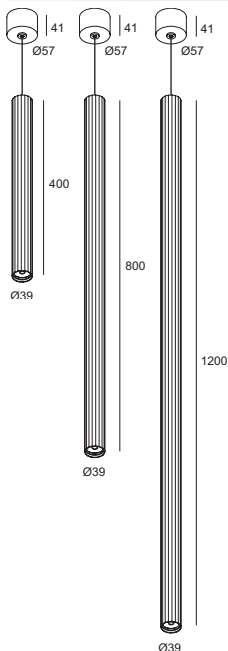
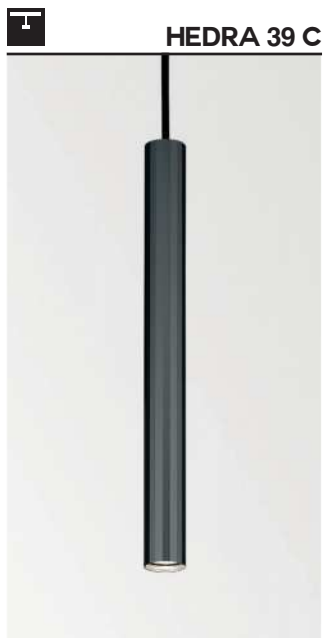
MIDISPY TUBE MMAT



MIDISPY TUBE SG



MIDISPY TUBE W



CRI > 90	HEDRA 39 C	
3000 K	LED 7,1W / 774lm / 350mA	
REFL FL 24°	400mm 0,7	472 121 811 931 ◇ ◇ = B / BBR / GC / W
	800mm 1,2	472 122 811 931 ◇ ◇ = B / BBR / GC / W
	1200mm 1,6	472 123 811 931 ◇ ◇ = B / BBR / GC / W
2700 K	LED 7,1W / 743lm / 350mA	
REFL FL 24°	400mm 0,7	472 121 811 921 ◇ ◇ = B / BBR / GC / W
	800mm 1,2	472 122 811 921 ◇ ◇ = B / BBR / GC / W
	1200mm 1,6	472 123 811 921 ◇ ◇ = B / BBR / GC / W
INCL.1 x CABLE 2 x 0.75mm <sup>2</sup> / 1.6m 220-240V / 50-60Hz		
IP20		
OPTIONS CONNECTION TRIMLESS		

CRI > 90	HEDRA 45 C	
3000 K	LED 6,4W / 587lm / 350mA	
REFL WFL 40°	190mm 0,6	472 221 932 ED8 ◇ ◇ = B / BBR / GC / W
	300mm 0,8	472 222 932 ED8 ◇ ◇ = B / BBR / GC / W
	2700 K	LED 6,4W / 587lm / 350mA
REFL WFL 40°	190mm 0,6	472 221 922 ED8 ◇ ◇ = B / BBR / GC / W
	300mm 0,8	472 222 922 ED8 ◇ ◇ = B / BBR / GC / W
INCL.1 x CABLE 2 x 0.75mm <sup>2</sup> / 1.6m 220-240V / 50-60Hz MAINS DIMMING (FE)		
IP20		
REQUIREMENTS MIDISPY TUBE		
OPTIONS CONNECTION TRIMLESS		

HEDRA 45 C E27	
1 x A60 max.20W	
190mm 0,5	472 221 01 ◇ ◇ = B / BBR / GC / W
300mm 0,7	472 222 01 ◇ ◇ = B / BBR / GC / W
INCL.1 x CABLE 2 x 0.75mm <sup>2</sup> / 1.6m E27Ls / 100-240V / 50-60Hz	
IP20	
OPTIONS CONNECTION TRIMLESS LED SOLUTION - PAG TEC 7	



FULL INFO TECHNICAL CHAPTER

**OPTIONS**

**INSTALLATION**

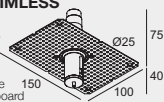
**SUSPENSION + CONNECTION TRIMLESS**

**328 10 02**

INCL.1 x AUTOMATIC ADJUSTMENT

INCL.1 x CONNECTOR 3 x 2.5mm<sup>2</sup>

[play.deltalight.com/suspensiontrimlessconcrete](http://play.deltalight.com/suspensiontrimlessconcrete)  
[play.deltalight.com/suspensiontrimlessplasterboard](http://play.deltalight.com/suspensiontrimlessplasterboard)

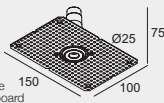


**CONNECTION TRIMLESS**

**328 10 03**

INCL.1 x CONNECTOR 3 x 2.5mm<sup>2</sup>

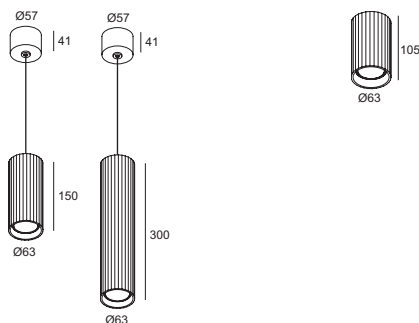
[play.deltalight.com/suspensiontrimlessconcrete](http://play.deltalight.com/suspensiontrimlessconcrete)  
[play.deltalight.com/suspensiontrimlessplasterboard](http://play.deltalight.com/suspensiontrimlessplasterboard)



**HEDRA 62 C HI**

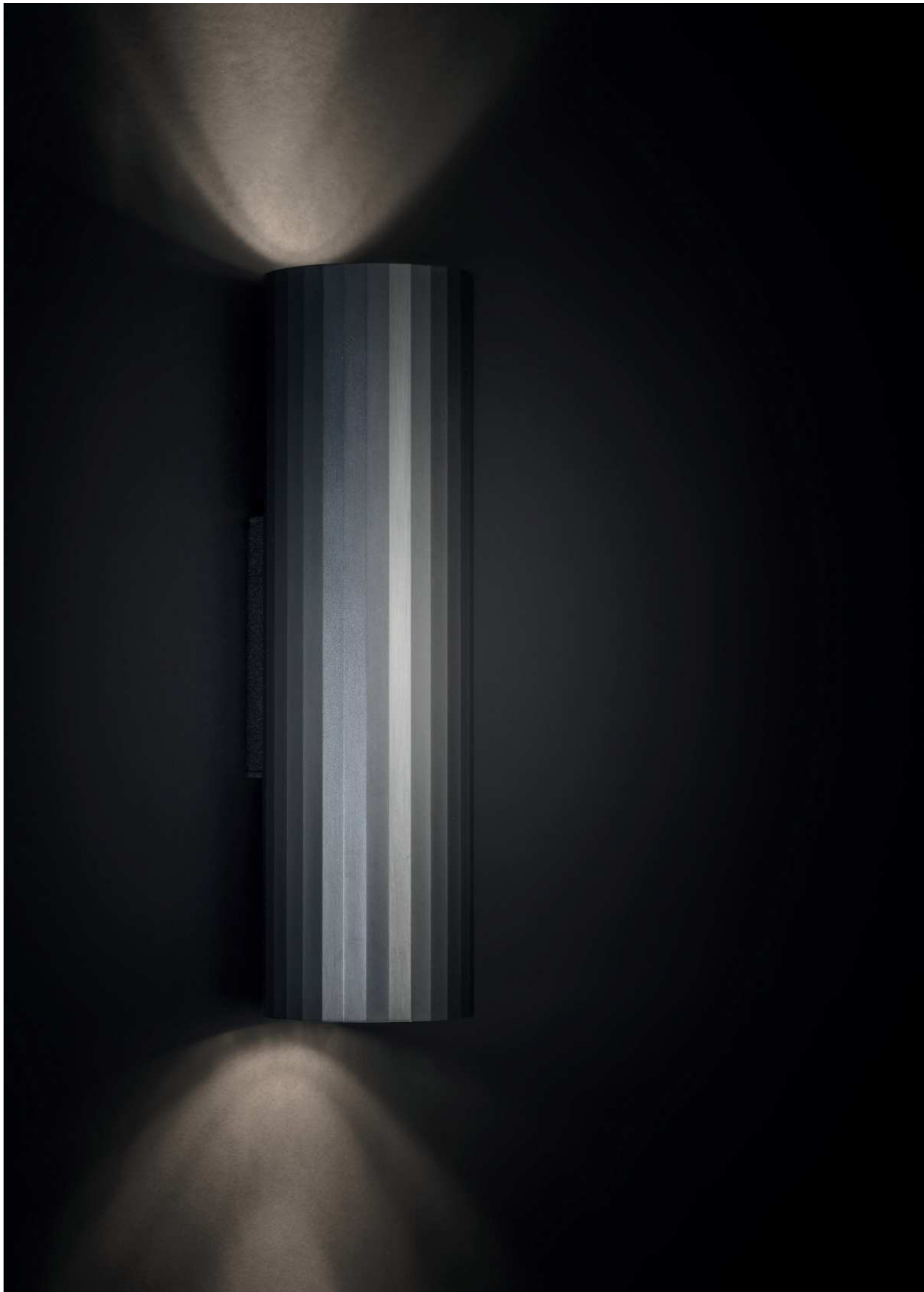


**HEDRA 62 ON HI**



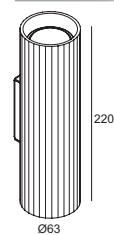
HEDRA 62 C Hi	
	1 x QPAR51 max.35W
150mm 0,6	<b>472 321 00</b> ◇ ◇ = B / BBR / GC / W
300mm 0,8	<b>472 322 00</b> ◇ ◇ = B / BBR / GC / W
INCL.1 x CABLE 2 x 0.75mm <sup>2</sup> / 1.6m GU10 / 100-240V / 50-60Hz	
IP20 (0,5)	
<b>OPTIONS</b> CONNECTION TRIMLESS LED SOLUTION - PAG TEC 7	

HEDRA 62 ON Hi	
	QPAR51 max.10W
<b>472 331 00</b> ◇ ◇ = B / BBR / GC / W	
GU10 / 100-240V / 50-60Hz	
0,2 IP20 (0,5)	
<b>OPTIONS</b> LED SOLUTION - PAG TEC 7	





**HEDRA 62 W HI**



**HEDRA 62 W Hi**

2 x QPAR51 max.35W

**472 362 00** ◇

◇ = B / BBR / GC / W

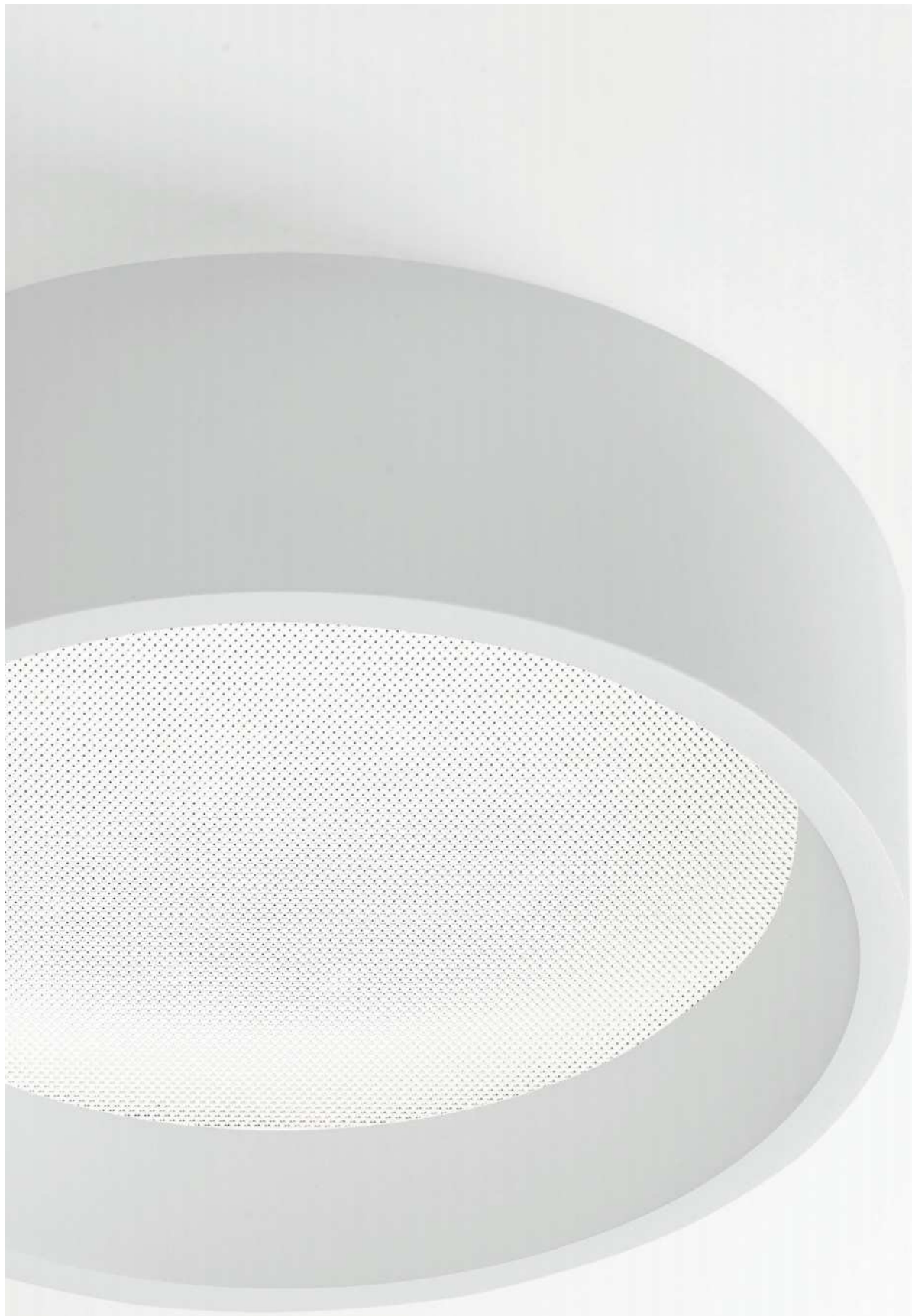
GU10 / 100-240V / 50-60Hz

CE 0.7 IP20 0,5

**OPTIONS**

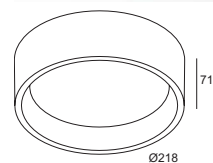
**LED** SOLUTION - PAG TEC 7







**DIRO SBL L ON**



**CRI > 80**

**DIRO SBL L ON**

**3000  
K**

LED CLUSTER 17,5W / 2635lm / 1050mA

**251 81 83** ◇  
◇ = W

NON ADJUSTABLE  
100-240V / 50-60Hz

◇ CE 1.7 IP43



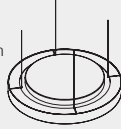
OPTIONS

INSTALLATION



**SUSPENSION SET 25 3m ED**

**328 25 43 ED**  
 INCL. 4 x CABLE SUSP. SINGLE AUTO. 3m  
 INCL. 1 x CABLE 5 x 0,75mm<sup>2</sup>



**CABLE BASE R** ◇      Ø57 x 41  
**203 99 55** ◇  
 ◇ = ANO / B / W



**CABLE BASE S** ◇      57 x 57 x 41  
**203 99 56** ◇  
 ◇ = ANO / B / W



**COVERSET R** ◇  
**204 00 62** ◇      Ø62  
**204 00 90** ◇      Ø90  
**204 00 100** ◇      Ø100  
 ◇ = ANO / B / W



**COVERSET S** ◇  
**204 62 62** ◇      62 x 62  
**204 80 80** ◇      80 x 80  
**204 90 90** ◇      90 x 90  
 ◇ = ANO / B / W



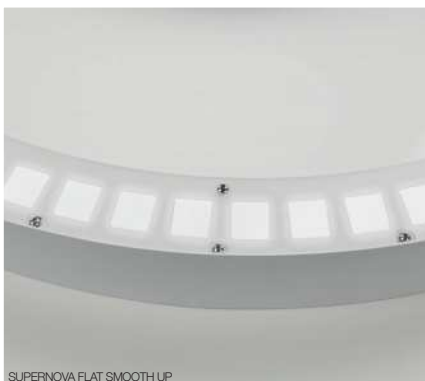
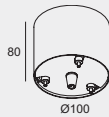
**CENTRAL ROD SUSPENSION SN FLAT 1m**

**274 97 10** ◇  
 ◇ = B / W  
 INCL. CABLE 2 x 0,75mm<sup>2</sup> + CABLE 3 x 0,75mm<sup>2</sup>



**CENTRAL SUSPENSION SN FLAT 3m**

**328 26 23** ◇  
 ◇ = B / W  
 INCL. CABLE 5 x 0,75mm<sup>2</sup>



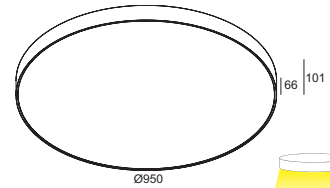
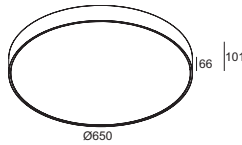
SUPERNOVA FLAT SMOOTH UP



CENTRAL ROD SUSPENSION



SUPERNOVA FLAT



CRI > 80

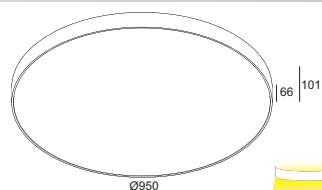
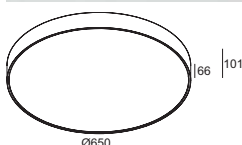
	SUPERNOVA FLAT 6583	SUPERNOVA FLAT 9583
<b>3000 K</b>	PC SBL	LED CLUSTER 68W / 9672lm
<b>1-10V</b>	<b>274 97 6583 ED1</b> ◇ ◇ = B / W	<b>274 97 9583 ED1</b> ◇ ◇ = B / W
<b>DALI</b>	<b>274 97 6583 ED5</b> ◇ ◇ = B / W	<b>274 97 9583 ED5</b> ◇ ◇ = B / W
	220-240V / 0   50-60Hz ◇ CE 11.0 IP20	220-240V / 0   50-60Hz ◇ CE 16.0 IP20
	<b>OPTIONS</b> SUSPENSION SET 25 3m ED CABLE BASE R / S (for SUSPENSION SET) COVERSET R / S (for SUSPENSION SET) CENTRAL ROD SUSPENSION SN FLAT 1m CENTRAL SUSPENSION SN FLAT 3m	<b>OPTIONS</b> SUSPENSION SET 25 3m ED CABLE BASE R / S (for SUSPENSION SET) COVERSET R / S (for SUSPENSION SET) CENTRAL ROD SUSPENSION SN FLAT 1m CENTRAL SUSPENSION SN FLAT 3m

UCR <19 CRI > 80

	SUPERNOVA FLAT 6583 PRISMATIC	SUPERNOVA FLAT 9583 PRISMATIC
<b>3000 K</b>	PC PRISMATIC	LED CLUSTER 44W / 7285lm
<b>1-10V</b>	<b>274 97 6583 PR ED1</b> ◇ ◇ = B / W	<b>274 97 9583 PR ED1</b> ◇ ◇ = B / W
<b>DALI</b>	<b>274 97 6583 PR ED5</b> ◇ ◇ = B / W	<b>274 97 9583 PR ED5</b> ◇ ◇ = B / W
	220-240V / 0   50-60Hz ◇ CE 11.0 IP20	220-240V / 0   50-60Hz ◇ CE 16.0 IP20
	<b>OPTIONS</b> SUSPENSION SET 25 3m ED CABLE BASE R / S (for SUSPENSION SET) COVERSET R / S (for SUSPENSION SET) CENTRAL ROD SUSPENSION SN FLAT 1m CENTRAL SUSPENSION SN FLAT 3m	<b>OPTIONS</b> SUSPENSION SET 25 3m ED CABLE BASE R / S (for SUSPENSION SET) COVERSET R / S (for SUSPENSION SET) CENTRAL ROD SUSPENSION SN FLAT 1m CENTRAL SUSPENSION SN FLAT 3m



## SUPERNOVA FLAT SMOOTH UP



CRI > 80		SUPERNOVA FLAT 6583 SMOOTH UP	SUPERNOVA FLAT 9583 SMOOTH UP
3000 K	PC SBL	LED CLUSTER 68W / 9672lm	LED CLUSTER 136W / 17278lm
1-10V		274 98 6583 ED1 ◊ ◊ = B / W	274 98 9583 ED1 ◊ ◊ = B / W
DALI		274 98 6583 ED5 ◊ ◊ = B / W	274 98 9583 ED5 ◊ ◊ = B / W
		220-240V / 0   50-60Hz ◊ CE 8.7 IP20	220-240V / 0   50-60Hz ◊ CE 12.7 IP20
		<b>OPTIONS</b> SUSPENSION SET 25 3m ED CABLE BASE R / S (for SUSPENSION SET) COVERSET R / S (for SUSPENSION SET) CENTRAL ROD SUSPENSION SN FLAT 1m CENTRAL SUSPENSION SN FLAT 3m	<b>OPTIONS</b> SUSPENSION SET 25 3m ED CABLE BASE R / S (for SUSPENSION SET) COVERSET R / S (for SUSPENSION SET) CENTRAL ROD SUSPENSION SN FLAT 1m CENTRAL SUSPENSION SN FLAT 3m
UCR < 19 CRI > 80		SUPERNOVA FLAT 6583 PRISMATIC SMOOTH UP	SUPERNOVA FLAT 9583 PRISMATIC SMOOTH UP
3000 K	PC PRISMATIC	LED CLUSTER 44W / 7285lm	LED CLUSTER 104W / 14160lm
1-10V		274 98 6583 PR ED1 ◊ ◊ = B / W	274 98 9583 PR ED1 ◊ ◊ = B / W
DALI		274 98 6583 PR ED5 ◊ ◊ = B / W	274 98 9583 PR ED5 ◊ ◊ = B / W
		220-240V / 0   50-60Hz ◊ CE 8.7 IP20	220-240V / 0   50-60Hz ◊ CE 12.7 IP20
		<b>OPTIONS</b> SUSPENSION SET 25 3m ED CABLE BASE R / S (for SUSPENSION SET) COVERSET R / S (for SUSPENSION SET) CENTRAL ROD SUSPENSION SN FLAT 1m CENTRAL SUSPENSION SN FLAT 3m	<b>OPTIONS</b> SUSPENSION SET 25 3m ED CABLE BASE R / S (for SUSPENSION SET) COVERSET R / S (for SUSPENSION SET) CENTRAL ROD SUSPENSION SN FLAT 1m CENTRAL SUSPENSION SN FLAT 3m



FULL INFO TECHNICAL CHAPTER

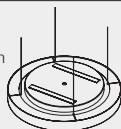
## REQUIREMENTS

### INSTALLATION



#### SUSPENSION SET 25 3m ED 328 25 43 ED

INCL. 4 x CABLE SUSP. SINGLE AUTO. 3m  
INCL. 1 x CABLE 5 x 0,75mm<sup>2</sup>



#### CENTRAL ROD SUSPENSION SN FLAT 1m

274 97 10 ◇

◇ = B / W

INCL. CABLE 2 x 0,75mm<sup>2</sup> + CABLE 3 x 0,75mm<sup>2</sup>

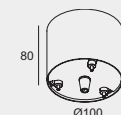


#### CENTRAL SUSPENSION SN FLAT 3m

328 26 23 ◇

◇ = B / W

INCL. CABLE 5 x 0,75mm<sup>2</sup>



FULL INFO TECHNICAL CHAPTER

## OPTIONS

### INSTALLATION



#### CABLE BASE R ◇

Ø57 x 41

203 99 55 ◇

◇ = ANO / B / W



#### CABLE BASE S ◇

57 x 57 x 41

203 99 56 ◇

◇ = ANO / B / W



#### COVERSET R ◇

204 00 62 ◇

Ø62

204 00 90 ◇

Ø90

204 00 100 ◇

Ø100

◇ = ANO / B / W



#### COVERSET S ◇

204 62 62 ◇

62 x 62

204 80 80 ◇

80 x 80

204 90 90 ◇

90 x 90

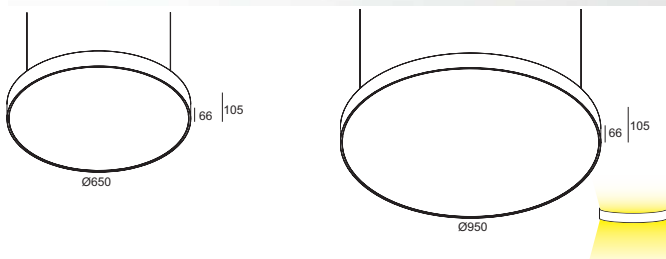
◇ = ANO / B / W



SUPERNOVA FLAT DOWN-UP



## SUPERNOVA FLAT DOWN-UP



CRI > 80

3000 K PC SBL

### SUPERNOVA FLAT 6583 DOWN-UP

LED CLUSTER UP 22W / 2780lm  
LED CLUSTER DOWN 68W / 9672lm

### SUPERNOVA FLAT 9583 DOWN-UP

LED CLUSTER UP 22W / 2780lm  
LED CLUSTER DOWN 136W / 17278lm

1-10V

274 99 6583 ED1 ◇  
◇ = B / W

274 99 9583 ED1 ◇  
◇ = B / W

DALI

274 99 6583 ED5 ◇  
◇ = B / W

274 99 9583 ED5 ◇  
◇ = B / W

2 CIRCUITS (ONLY FOR DALI)  
220-240V / 0 | 50-60Hz

◇ CE 11,0 IP20

2 CIRCUITS (ONLY FOR DALI)  
220-240V / 0 | 50-60Hz

◇ CE 16,0 IP20

#### REQUIREMENTS

SUSPENSION SET 25 3m ED  
or  
CENTRAL ROD SUSPENSION SN FLAT 1m  
or  
CENTRAL SUSPENSION SN FLAT 3m

#### OPTIONS

CABLE BASE R / S (for SUSPENSION SET)  
COVERSET R / S (for SUSPENSION SET)

#### REQUIREMENTS

SUSPENSION SET 25 3m ED  
or  
CENTRAL ROD SUSPENSION SN FLAT 1m  
or  
CENTRAL SUSPENSION SN FLAT 3m

#### OPTIONS

CABLE BASE R / S (for SUSPENSION SET)  
COVERSET R / S (for SUSPENSION SET)

UGR <13 CRI > 80

3000 K PC PRISMATIC

### SUPERNOVA FLAT 6583 PRISMATIC DOWN-UP

LED CLUSTER UP 22W / 2780lm  
LED CLUSTER DOWN 44W / 7285lm

### SUPERNOVA FLAT 9583 PRISMATIC DOWN-UP

LED CLUSTER UP 22W / 2780lm  
LED CLUSTER DOWN 104W / 14160lm

1-10V

274 99 6583 PR ED1 ◇  
◇ = B / W

274 99 9583 PR ED1 ◇  
◇ = B / W

DALI

274 99 6583 PR ED5 ◇  
◇ = B / W

274 99 9583 PR ED5 ◇  
◇ = B / W

2 CIRCUITS (ONLY FOR DALI)  
220-240V / 0 | 50-60Hz

◇ CE 11,0 IP20

2 CIRCUITS (ONLY FOR DALI)  
220-240V / 0 | 50-60Hz

◇ CE 16,0 IP20

#### REQUIREMENTS

SUSPENSION SET 25 3m ED  
or  
CENTRAL ROD SUSPENSION SN FLAT 1m  
or  
CENTRAL SUSPENSION SN FLAT 3m

#### OPTIONS

CABLE BASE R / S (for SUSPENSION SET)  
COVERSET R / S (for SUSPENSION SET)

#### REQUIREMENTS

SUSPENSION SET 25 3m ED  
or  
CENTRAL ROD SUSPENSION SN FLAT 1m  
or  
CENTRAL SUSPENSION SN FLAT 3m

#### OPTIONS

CABLE BASE R / S (for SUSPENSION SET)  
COVERSET R / S (for SUSPENSION SET)



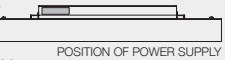
FULL INFO TECHNICAL CHAPTER

## REQUIREMENTS

### CONTROL GEAR



**LED POWER SUPPLY SET**  
830mA-DC / 36W  
300 90 145



POSITION OF POWER SUPPLY

100-240V / 50-60Hz  IP20

**LED POWER SUPPLY SET**  
830mA-DC / 36W DIM1  
300 90 146 ED1

100-240V / 50-60Hz  IP20

**LED POWER SUPPLY SET**  
830mA-DC / 36W DIM5  
300 90 147 ED5

100-240V / 50-60Hz  IP20

FULL INFO TECHNICAL CHAPTER

## OPTIONS

### INSTALLATION



**SUSPENSION SET 26 3m**

328 26 43

INCL. 4 x CABLE SUSP. SINGLE AUTO. 3m  
INCL. 1 x CABLE 3 x 0,75mm<sup>2</sup>



**SUSPENSION SET 26 3m ED**

328 26 43 ED

INCL. 4 x CABLE SUSP. SINGLE AUTO. 3m  
INCL. 1 x CABLE 5 x 0,75mm<sup>2</sup>

**CABLE BASE R** ◇

Ø57 x 41

203 99 55 ◇

◇ = ANO / B / W



**CABLE BASE S** ◇

57 x 57 x 41

203 99 56 ◇

◇ = ANO / B / W



**COVERSET R** ◇

204 00 62 ◇

Ø62

204 00 90 ◇

Ø90

204 00 100 ◇

Ø100

◇ = ANO / B / W



**COVERSET S** ◇

204 62 62 ◇

62 x 62

204 80 80 ◇

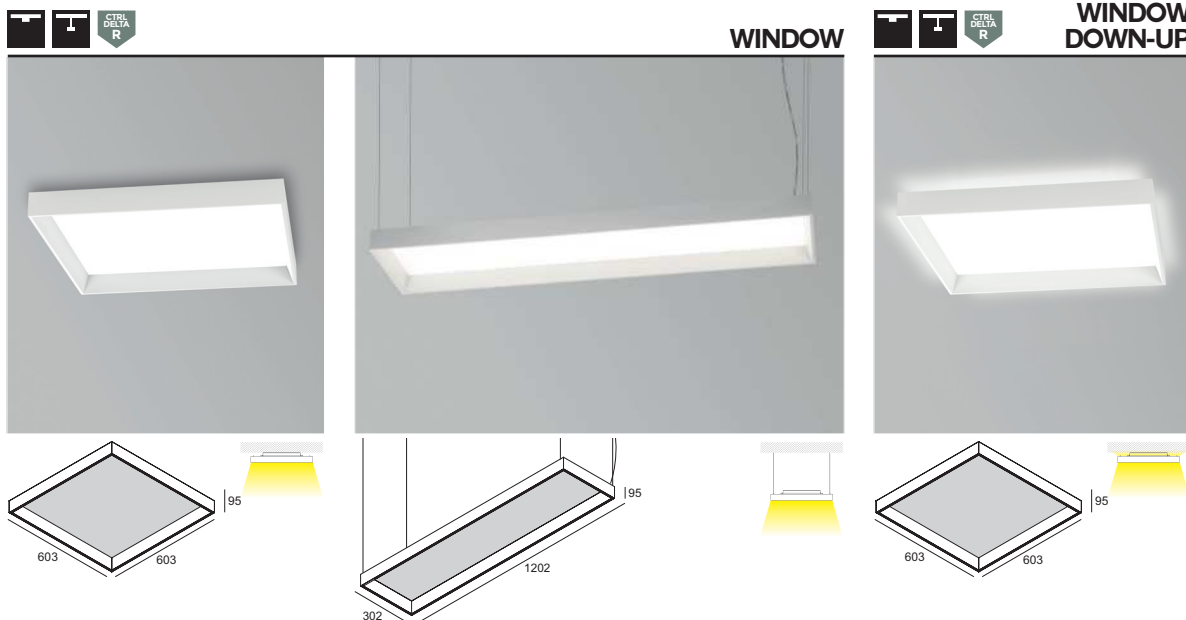
80 x 80

204 90 90 ◇

90 x 90

◇ = ANO / B / W





CRI > 80

3000 K PC SBL

**WINDOW 6060**

LED CLUSTER 36W / 4150lm

**274 106 00** ◇  
◇ = B / W

◆ CE [6.1] IP20

**REQUIREMENTS**

LED POWER SUPPLY SET  
830mA-DC / 36W  
or  
LED POWER SUPPLY SET  
830mA-DC / 36W DIM1  
or  
LED POWER SUPPLY SET  
830mA-DC / 36W DIM5

**OPTIONS**

SUSPENSION SET 26 3m (NON DIM)  
SUSPENSION SET 26 3m ED (DIM1 / DIM5)  
CABLE BASE R / S  
COVERSET R / S

**WINDOW 30120 C**

LED CLUSTER 36W / 4150lm

**274 312 00** ◇  
◇ = B / W

◆ CE [7.8] IP20

**REQUIREMENTS**

LED POWER SUPPLY SET  
830mA-DC / 36W  
+  
SUSPENSION SET 26 3m (NON DIM)

or

LED POWER SUPPLY SET  
830mA-DC / 36W DIM1  
+  
SUSPENSION SET 26 3m ED (DIM1 / DIM5)

or

LED POWER SUPPLY SET  
830mA-DC / 36W DIM5  
+  
SUSPENSION SET 26 3m (NON DIM)

**OPTIONS**

CABLE BASE R / S  
COVERSET R / S

**WINDOW DOWN-UP**



**WINDOW 6060 DOWN-UP**

LED CLUSTER (UP) 14W / 1428lm  
LED CLUSTER (DOWN) 36W / 4150lm

**274 106 01** ◇  
◇ = B / W

INCL. POWER SUPPLY FOR UP (NON DIM)  
100-240V / 50-60Hz

◆ CE [6.1] IP20

**REQUIREMENTS**

LED POWER SUPPLY SET  
830mA-DC / 36W  
or  
LED POWER SUPPLY SET  
830mA-DC / 36W DIM1  
or  
LED POWER SUPPLY SET  
830mA-DC / 36W DIM5

**OPTIONS**

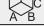
SUSPENSION SET 26 3m (NON DIM)  
SUSPENSION SET 26 3m ED (DIM1 / DIM5)  
CABLE BASE R / S  
COVERSET R / S








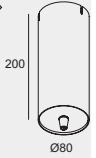

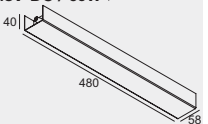


# SUPERLOOP NEW COLOURS\_\_



## FULL INFO TECHNICAL CHAPTER REQUIREMENTS

CONTROL GEAR	
<b>LED POWER SUPPLY</b> 48V / 90W 300 89 48 90	314 x 63 x 40
<b>LED POWER SUPPLY</b> 48V / 100W 300 89 48 100	100 x 55 x 90
<b>LED POWER SUPPLY</b> 48V / 150W 300 89 48 150	240 x 60 x 49
<b>LED POWER SUPPLY</b> 48V / 240W 300 89 48 240	114 x 63 x 125

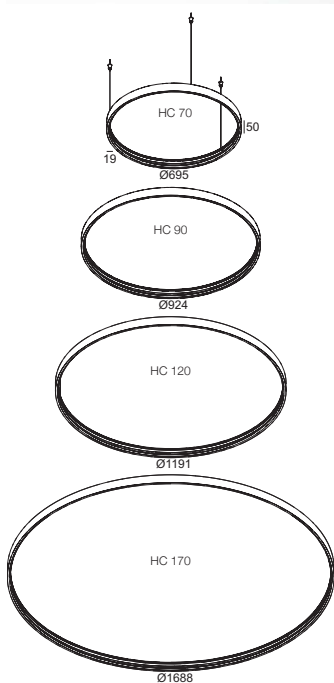
## FULL INFO TECHNICAL CHAPTER OPTIONS

INSTALLATION		
<b>CABLE BASE R</b> ◇ 203 99 55 ◇ ◇ = ANO / B / W	Ø57 x 41	
<b>CABLE BASE S</b> ◇ 203 99 56 ◇ ◇ = ANO / B / W	57 x 57 x 41	
<b>COVERSET R</b> ◇ 204 00 62 ◇ 204 00 90 ◇ 204 00 100 ◇ ◇ = ANO / B / W	Ø62 Ø90 Ø100	
<b>COVERSET S</b> ◇ 204 62 62 ◇ 204 80 80 ◇ 204 90 90 ◇ ◇ = ANO / B / W	62 x 62 80 x 80 90 x 90	
<b>SUPERLOOP POWERBOX L 48V-DC / 50W</b> ◇ 418 48 050 ◇ ◇ = B 110-240V / 50-60Hz ◇ IP20		 200 Ø80
<b>SUPERLOOP POWERBOX H 48V-DC / 100W</b> ◇ 418 48 100 ◇ ◇ = B 110-240V / 50-60Hz ◇ IP20		 300 Ø80
<b>SUPERLOOP POWERBOX F 48V-DC / 60W</b> ◇ 300 48 060 ◇ ◇ = B 110-240V / 50-60Hz ◇ IP20		 40   480   58
<b>DIMMABLE MODULATOR 48V-DC DIM9</b> 300 90 011	93 x 78 x 56	
<b>WIRELESS DIMMABLE MODULATOR 48V-DC</b> 300 90 012	93 x 78 x 56	

DIMMABLE MODULATION INFO PAG TEC 6  
DIM9: DIMMING BY 1-10V / DALI / PUSH BUTTON



## SUPERLOOP HC MDL



### SUPERLOOP HC 70 MDL

418 481 07 ◊  
◊ = B / FBR / FG  
2,3

### SUPERLOOP HC 90 MDL

418 481 09 ◊  
◊ = B / FBR / FG  
3,0

### SUPERLOOP HC 120 MDL

418 481 12 ◊  
◊ = B / FBR / FG  
3,9

### SUPERLOOP HC 170 MDL

418 481 17 ◊  
◊ = B / FBR / FG  
5,5

INCL.3 x CABLE SUSP. SINGLE AUTO. 3m  
INCL.1 x CABLE 2 x 0,75mm<sup>2</sup>

CE IP20

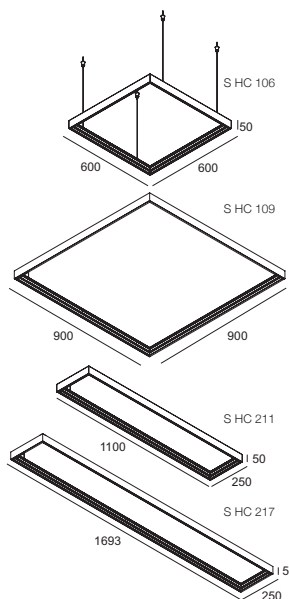
**REQUIREMENTS**  
SUPERLOOP MODULES (MAX.250W)  
LED POWER SUPPLY 48V-DC

**OPTIONS**  
CABLE BASE R / S  
COVERSET R / S  
SUPERLOOP POWERBOX 48V-DC  
DIMMABLE MODULATOR

PATENTED



## SUPERLOOP S HC MDL



### SUPERLOOP S HC 106 MDL

418 482 106 ◊  
◊ = B  
3,0

### SUPERLOOP S HC 109 MDL

418 482 109 ◊  
◊ = B  
3,7

### SUPERLOOP S HC 211 MDL

418 482 211 ◊  
◊ = B  
3,0

### SUPERLOOP S HC 217 MDL

418 482 217 ◊  
◊ = B  
3,7

INCL.4 x CABLE SUSP. SINGLE AUTO. 3m  
INCL.1 x CABLE 2 x 0,75mm<sup>2</sup>

CE IP20

**REQUIREMENTS**  
SUPERLOOP MODULES (MAX.250W)  
LED POWER SUPPLY 48V-DC

**OPTIONS**  
CABLE BASE R / S  
COVERSET R / S  
SUPERLOOP POWERBOX 48V-DC  
DIMMABLE MODULATOR

PATENTED

# SUPERLOOP NEW MODULES

## FULL INFO TECHNICAL CHAPTER REQUIREMENTS

### INSTALLATION

#### VIZIR TUBE ◊

473 01 00 ◊  
◊ = B / FBR / FG / W



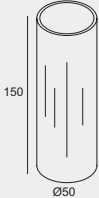
#### MIDISPY TUBE ◊

414 03 00 ◊  
◊ = B / FBR / FG / MMAT / SG / W



#### FIX 40 GLASS CLEAR

418 163 01



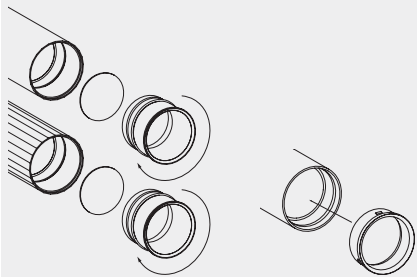
#### FIX 40 GLASS FROSTED

418 163 02

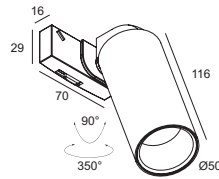
## FULL INFO TECHNICAL CHAPTER ACCESSORIES

VIZIR HONEYCOMB ◊ ◊ = B

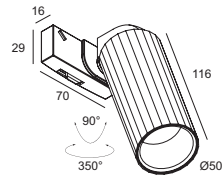
VIZIR SOFTENING LENS ◊ ◊ = B



## SMART 48 IN CTRL DELTA R SUPERLOOP -VIZIR



## SMART 48 IN CTRL DELTA R SUPERLOOP -HEDRA



CRI > 80

### SUPERLOOP-VIZIR MDL

3000 K

LED [C] 6W / 558lm / 48V-DC

LENS SP 15°

418 367 831 MDL ◊  
◊ = BBR-B / GC-B

2700 K

LED [C] 6W / 558lm / 48V-DC

LENS SP 15°

418 367 821 MDL ◊  
◊ = BBR-B / GC-B

ADJUSTABLE 0-90° / 350°

CE 0.3 IP20

REQUIREMENTS  
VIZIR TUBE

ACCESSORIES  
HONEYCOMB / LENS

### SUPERLOOP-HEDRA MDL

LED [C] 6W / 558lm / 48V-DC

418 368 831 MDL ◊  
◊ = BBR-B / GC-B

LED [C] 6W / 558lm / 48V-DC

418 368 821 MDL ◊  
◊ = BBR-B / GC-B

ADJUSTABLE 0-90° / 350°

CE 0.3 IP20

REQUIREMENTS  
VIZIR TUBE

ACCESSORIES  
HONEYCOMB / LENS

CRI > 90

### SUPERLOOP-VIZIR MDL

3000 K

LED [H] 7,1W / 774lm / 48V-DC

REFL FL 33°

418 367 811 932 MDL ◊  
◊ = BBR-B / GC-B

2700 K

LED [H] 7,1W / 743lm / 48V-DC

REFL FL 33°

418 367 811 922 MDL ◊  
◊ = BBR-B / GC-B

ADJUSTABLE 0-90° / 350°

CE 0.3 IP20

REQUIREMENTS  
VIZIR TUBE

ACCESSORIES  
HONEYCOMB / LENS

### SUPERLOOP-HEDRA MDL

LED [H] 7,1W / 774lm / 48V-DC

418 368 811 932 MDL ◊  
◊ = BBR-B / GC-B

LED [H] 7,1W / 743lm / 48V-DC

418 368 811 922 MDL ◊  
◊ = BBR-B / GC-B

ADJUSTABLE 0-90° / 350°

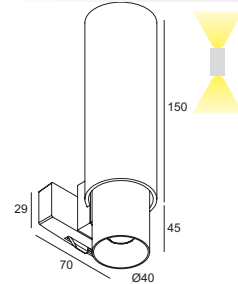
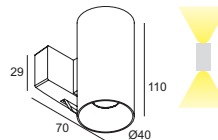
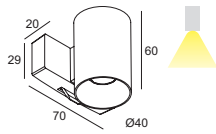
CE 0.3 IP20

REQUIREMENTS  
VIZIR TUBE

ACCESSORIES  
HONEYCOMB / LENS



## SUPERLOOP FIX



CRI > 80

### SUPERLOOP-FIX 40 MDL

3000 K

LED 4,1W / 425lm / 48V-DC



418 161 832 MDL ◊  
◊ = B

2700 K

LED 4,1W / 425lm / 48V-DC



418 161 822 MDL ◊  
◊ = B

NON ADJUSTABLE  
◊ CE 0,2 IP20

### SUPERLOOP-FIX 40 DOWN-UP MDL

LED 2,1W / 227lm (UP) / 48V-DC  
LED 4,1W / 425lm (DOWN) / 48V-DC

418 162 832 MDL ◊  
◊ = B

LED 2,1W / 213lm (UP) / 48V-DC  
LED 4,1W / 425lm (DOWN) / 48V-DC

418 162 822 MDL ◊  
◊ = B

NON ADJUSTABLE  
◊ CE 0,2 IP20

### SUPERLOOP-FIX 40 DOWN-UP GT MDL

LED 2,1W / 227lm (UP) / 48V-DC  
LED 4,1W / 425lm (DOWN) / 48V-DC

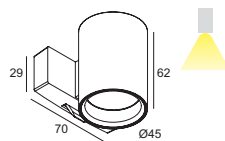
418 163 832 MDL ◊  
◊ = B

LED 2,1W / 213lm (UP) / 48V-DC  
LED 4,1W / 425lm (DOWN) / 48V-DC

418 163 822 MDL ◊  
◊ = B

NON ADJUSTABLE  
◊ CE 0,2 IP20

REQUIREMENTS  
FIX 40 GLASS



CRI > 90

### SUPERLOOP-FIX 45 MDL

3000 K

LED 8,4W / 672lm / 48V-DC



418 263 933 MDL ◊  
◊ = B

2700 K

LED 8,4W / 672lm / 48V-DC



418 263 923 MDL ◊  
◊ = B

NON ADJUSTABLE  
◊ CE 0,2 IP20

REQUIREMENTS  
MIDISPY TUBE



# SUPERLOOP NEW MODULES\_

INTERIOR

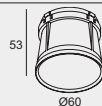
## FULL INFO TECHNICAL CHAPTER REQUIREMENTS

### INSTALLATION

#### SPY TUBE ◊

414 01 00 ◊

◊ = B / MMAT / SG / W



93 x 78 x 56

#### DIMMABLE MODULATOR 48V-DC DIM9

300 90 011

93 x 78 x 56

#### WIRELESS DIMMABLE MODULATOR 48V-DC

300 90 012

DIMMABLE MODULATION INFO PAG TEC 6

DIM9: DIMMING BY 1-10V / DALI / PUSH BUTTON



## FULL INFO TECHNICAL CHAPTER ACCESSORIES

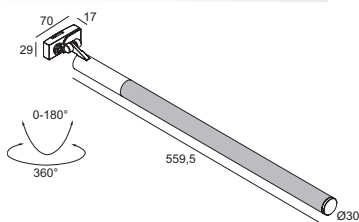
### SPY PUNK SLEEVE ◊

414 11 00 ◊

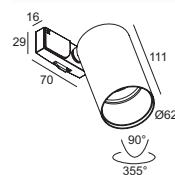
◊ = B / BP / GC



## SUPERLOOP - XY180



## SUPERLOOP - SPY SOFT



CRI > 90

### SUPERLOOP XY180

3000  
K

LED CLUSTER 8,5W / 1495lm / 48V-DC

418 561 93 MDL ◊

◊ = B

ADJUSTABLE 0-180° / 360°

◊ CE [0,4] IP20

CRI > 90

### SUPERLOOP - SPY SOFT

2700  
1800  
K



LED 10W / 565lm / 48V-DC

418 361 1902 MDL ◊

◊ = B

ADJUSTABLE 0-90° / 355°

◊ CE [0,5] IP20

#### REQUIREMENTS

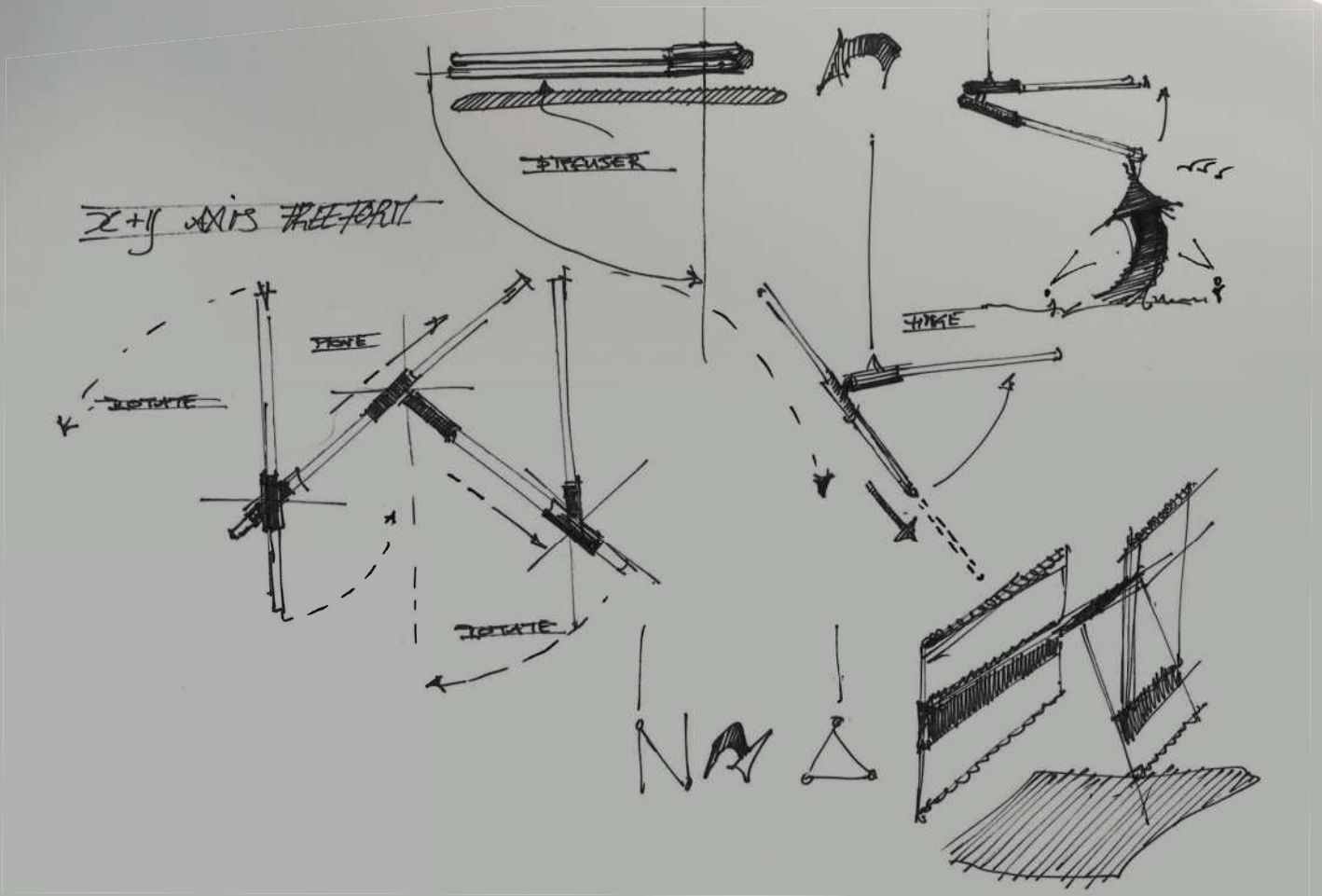
SPY TUBE  
LED POWER SUPPLY 48V-DC  
DIMMABLE MODULATOR

#### ACCESSORIES

SPY PUNK SLEEVE



**XY180**  
BY OMA







FULL INFO TECHNICAL CHAPTER

OPTIONS

INSTALLATION



COVERSET R ◊

204 00 90 ◊

Ø90



204 00 100 ◊

Ø100

◊ = B

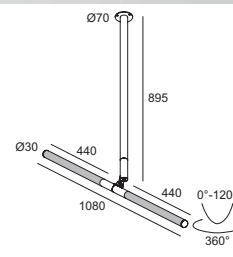
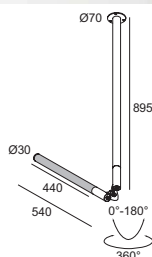
XY180 CONNECTION BOX ◊ Ø76 x H33

422 99 01 ◊

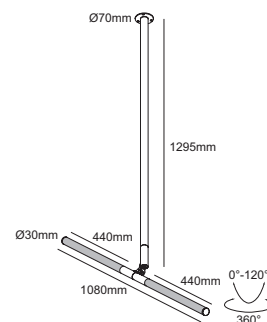
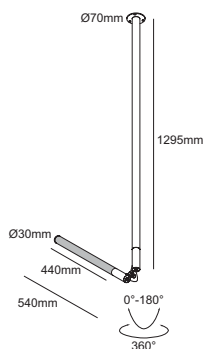
◊ = B



XY180



CRI > 90	XY180 S81	XY180 S82
3000 K	LED CLUSTER 8,5W / 1495lm	2 x LED CLUSTER 8,5W / 1495lm
NON DIM	422 111 93 ◊ ◊ = B	422 121 93 ◊ ◊ = B
1-10V	422 111 93 ED1 ◊ ◊ = B	422 121 93 ED1 ◊ ◊ = B
DALI	422 111 93 ED5 ◊ ◊ = B	422 121 93 ED5 ◊ ◊ = B
	ADJUSTABLE 0-180° / 360° 220-240V / 50-60Hz ◊ CE 0,9 IP20	ADJUSTABLE 0-180° / 360° 220-240V / 50-60Hz ◊ CE 1,3 IP20
	OPTIONS COVERSET R 90-100 XY180 CONNECTION BOX	OPTIONS COVERSET R 90-100 XY180 CONNECTION BOX



CRI > 90	XY180 S121	XY180 S122
3000 K	LED CLUSTER 8,5W / 1495lm	2 x LED CLUSTER 8,5W / 1495lm
NON DIM	422 112 93 ◊ ◊ = B	422 122 93 ◊ ◊ = B
1-10V	422 112 93 ED1 ◊ ◊ = B	422 122 93 ED1 ◊ ◊ = B
DALI	422 112 93 ED5 ◊ ◊ = B	422 122 93 ED5 ◊ ◊ = B
	ADJUSTABLE 0-180° / 360° 220-240V / 50-60Hz ◊ CE 1,1 IP20	ADJUSTABLE 0-180° / 360° 220-240V / 50-60Hz ◊ CE 1,5 IP20
	OPTIONS COVERSET R 90-100 XY180 CONNECTION BOX	OPTIONS COVERSET R 90-100 XY180 CONNECTION BOX



XY180 CONNECTION BOX

DESIGN BY DELTA LIGHT® & OMA



— Through the choreography of movement and multiplication, the luminaire can manipulate three-dimensional space, entering the domain of architectural space. The modularity of XY180 allows each module or set of modules to be reconfigured and change its impact on the surrounding space—

FULL INFO TECHNICAL CHAPTER

OPTIONS

INSTALLATION



COVERSET R ◊

204 00 90 ◊

Ø90



204 00 100 ◊

Ø100

◊ = B

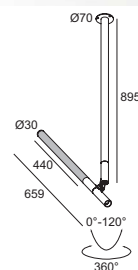
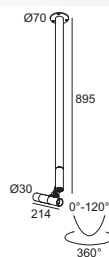
XY180 CONNECTION BOX ◊ Ø76 x H33

422 99 01 ◊

◊ = B



XY180



CRI > 80  
CRI > 90

XY180 S80 MINI

XY180 S81 MINI

3000 K [LENS FL 20°]

LED 4,1W / 425lm / CRI > 80

LED CLUSTER 8,5W / 1495lm / CRI > 90  
LED 4,1W / 425lm / CRI > 80



422 131 83 ◊  
◊ = B

422 141 93 ◊  
◊ = B



422 141 93 ED1 ◊  
◊ = B



422 141 93 ED5 ◊  
◊ = B

ADJUSTABLE 0-180° / 360°  
220-240V / 50-60Hz

◊ CE [0,9] IP20

ADJUSTABLE 0-180° / 360°  
220-240V / 50-60Hz

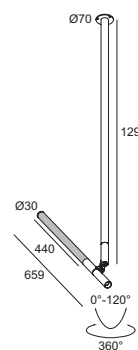
◊ CE [1,2] IP20

OPTIONS

COVERSET R 90-100  
XY180 CONNECTION BOX

OPTIONS

COVERSET R 90-100  
XY180 CONNECTION BOX



CRI > 80  
CRI > 90

XY180 S120 MINI

XY180 S121 MINI

3000 K [LENS FL 20°]

LED 4,1W / 425lm / CRI > 80

LED CLUSTER 8,5W / 1495lm / CRI > 90  
LED 4,1W / 425lm / CRI > 80



422 132 83 ◊  
◊ = B

422 142 93 ◊  
◊ = B



422 142 93 ED1 ◊  
◊ = B



422 142 93 ED5 ◊  
◊ = B

ADJUSTABLE 0-180° / 360°  
220-240V / 50-60Hz

◊ CE [1,1] IP20

ADJUSTABLE 0-180° / 360°  
220-240V / 50-60Hz

◊ CE [1,4] IP20

OPTIONS

COVERSET R 90-100  
XY180 CONNECTION BOX

OPTIONS

COVERSET R 90-100  
XY180 CONNECTION BOX



XY180 CONNECTION BOX



FULL INFO TECHNICAL CHAPTER

## REQUIREMENTS

### INSTALLATION

**SPY TUBE** ◇  
**414 01 00** ◇  
 ◇ = B / MMAT / SG / W



FULL INFO TECHNICAL CHAPTER

## OPTIONS

### INSTALLATION

**COVERSET R** ◇  
**204 00 90** ◇  
**204 00 100** ◇  
 ◇ = B



Ø90  
 Ø100



**XY180 CONNECTION BOX** ◇ Ø76 x H33  
**422 99 01** ◇  
 ◇ = B



FULL INFO TECHNICAL CHAPTER

## ACCESSORIES

**HONEYCOMB 50** ◇ Ø50  
**413 03 01** ◇  
 ◇ = B



**LINEAR SPREAD LENS 50** Ø50  
**413 03 02**



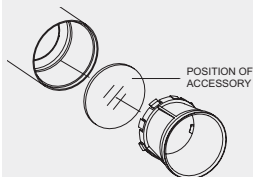
**SPREAD LENS 50** Ø50  
**413 03 03**



**SOFTENING LENS 50** Ø50  
**413 03 04**



**GLASS SBL 50** Ø50  
**413 03 05**



POSITION OF ACCESSORY



SPY TUBE B



SPY TUBE MMAT



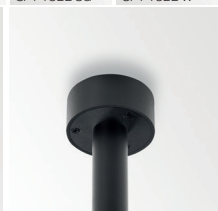
SPY TUBE SG



SPY TUBE W



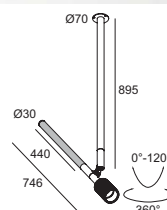
XY180 CONNECTION BOX



OTHER CRI & KELVIN ON REQUEST



## XY180



CRI > 90

**XY180 S81 PUNK**



LED CLUSTER 8,5W / 1495lm  
 LED 7,1W / 774lm



**422 161 811 932** ◇  
 ◇ = B



**422 161 811 932 ED1** ◇  
 ◇ = B



**422 161 811 932 ED5** ◇  
 ◇ = B

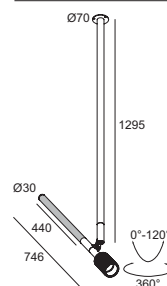
ADJUSTABLE 0-180° / 360°  
 220-240V / 50-60Hz

◇ CE 1.4 IP20

**REQUIREMENTS**  
 SPY TUBE

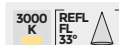
**OPTIONS**  
 COVERSET R 90-100  
 XY180 CONNECTION BOX

**ACCESSORIES**  
 HONEYCOMB / LENS / GLASS



CRI > 90

**XY180 S121 PUNK**



LED CLUSTER 8,5W / 1495lm  
 LED 7,1W / 774lm



**422 162 811 932** ◇  
 ◇ = B



**422 162 811 932 ED1** ◇  
 ◇ = B



**422 162 811 932 ED5** ◇  
 ◇ = B

ADJUSTABLE 0-180° / 360°  
 220-240V / 50-60Hz

◇ CE 1.6 IP20

**REQUIREMENTS**  
 SPY TUBE

**OPTIONS**  
 COVERSET R 90-100  
 XY180 CONNECTION BOX

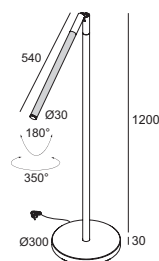
**ACCESSORIES**  
 HONEYCOMB / LENS / GLASS

DESIGN BY DELTA LIGHT® & OMA





**XY180 F**



**CRI > 90**

**XY180 F120 WDL**

**3000 K**

LED CLUSTER 8,5W / 1495lm / CRI > 90

**WDL**

**422 912 93 WDL** ◇  
◇ = B

ADJUSTABLE 0-180° / 360°  
INCL.CORD 2m + PLUG CEE 7/7  
INCL.WIRELESS DIMMABLE CONTROL  
110-240V / 50-60Hz

◇ CE 3,9 IP20

DESIGN BY **DELTA LIGHT® & OMA**





**— The design  
ambition was to  
step away from  
a luminaire that  
simply relied on  
shape, towards a  
design focused on  
performance —**

OMA





FULL INFO TECHNICAL CHAPTER

OPTIONS

INSTALLATION



**CABLE BASE R** ◊  
**203 99 55** ◊  
 ◊ = ANO / B / W

Ø57 x 41



**CABLE BASE S** ◊  
**203 99 56** ◊  
 ◊ = ANO / B / W

57 x 57 x 41



**COVERSET R** ◊  
**204 00 62** ◊  
**204 00 90** ◊  
**204 00 100** ◊  
 ◊ = ANO / B / W

Ø62  
 Ø90  
 Ø100



**COVERSET S** ◊  
**204 62 62** ◊  
**204 80 80** ◊  
**204 90 90** ◊  
 ◊ = ANO / B / W

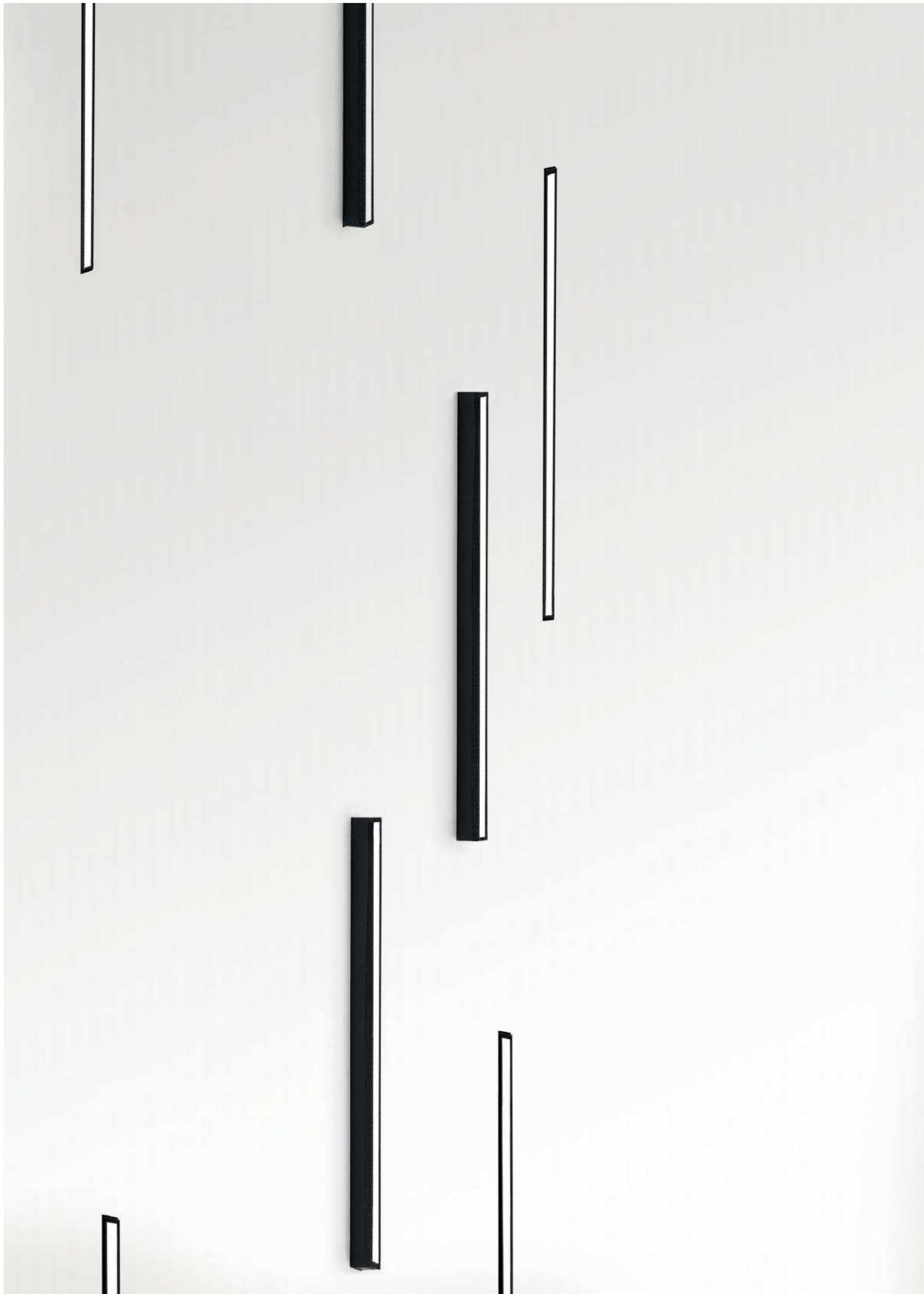
62 x 62  
 80 x 80  
 90 x 90





ONE-AND-ONLY



CRI > 90	ONE-AND-ONLY P12 DOWN-UP	ONE-AND-ONLY P20 DOWN-UP
<b>3000 K</b>	LED CLUSTER UP 23,1W / 2448lm LED CLUSTER DOWN 34,6W / 3672lm	LED CLUSTER UP 37,4W / 3964lm LED CLUSTER DOWN 56,1W / 5946lm
	<b>404 12 93</b> ◊ ◊ = B-B / GC-B / W-W	<b>404 20 93</b> ◊ ◊ = B-B / GC-B / W-W
	<b>404 12 93 ED1</b> ◊ ◊ = B-B / GC-B / W-W	<b>404 20 93 ED1</b> ◊ ◊ = B-B / GC-B / W-W
		<b>404 20 93 ED5</b> ◊ ◊ = B-B / GC-B / W-W
	2 x CABLE SUSP. SINGLE AUTO. 1,6m 1 x CABLE 3 x 0,75mm <sup>2</sup> (NON DIM) 1 x CABLE 5 x 0,75mm <sup>2</sup> (ED) 220-240V / 50-60Hz ◊   IP20	2 x CABLE SUSP. SINGLE AUTO. 1,6m 1 x CABLE 3 x 0,75mm <sup>2</sup> (NON DIM) 1 x CABLE 5 x 0,75mm <sup>2</sup> (ED) 220-240V / 50-60Hz ◊   IP20
	<b>OPTIONS</b> CABLE BASE R / S COVERSET R 62-90-100 / S 62-80-90	<b>OPTIONS</b> CABLE BASE R / S COVERSET R 62-90-100 / S 62-80-90




FULL INFO TECHNICAL CHAPTER **REQUIREMENTS**

**INSTALLATION**  

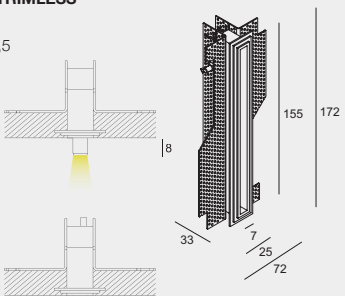
**MOUNTING KIT** 172 x 72 x 33 174 x 26 x 45

**TAGLINE TRIMLESS**  
**304 04 01**

 min.12,5


 0,3

PROTRUDED  
INSTALLATION



RECESSED  
INSTALLATION

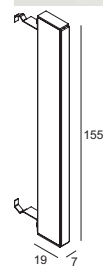
FULL INFO TECHNICAL CHAPTER **OPTIONS**

**CONTROL GEAR** 

**LED POWER SUPPLY** 146 x 55 x 19

**24V-DC / 20W**  
**300 89 24 20**

**TAGLINE TRIMLESS**




 KIT x 45

**CRI > 90**

**TAGLINE 155 TRIMLESS**

 3000  
K



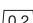
LED CLUSTER 1,25W / 121lm / 24V-DC

**304 04 15 93**   
◇ = B

 2700  
K

LED CLUSTER 1,25W / 121lm / 24V-DC

**304 04 15 92**   
◇ = B

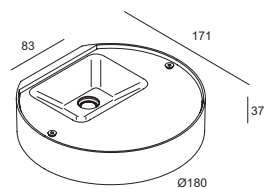
   0,2 IP20

**REQUIREMENTS**  
MOUNTING KIT TAGLINE TRIMLESS

**OPTIONS**  
LED POWER SUPPLY 24V-DC / DIM



**GALA XL R**



CRI > 90

**GALA XL R**

3000 K  
LED 13,8W / 1232lm / 500mA

1-10V  
**275 163 93 ED1** ◇  
◇ = W

220-240V / 50-60Hz  
◇ CE 0.8 IP20

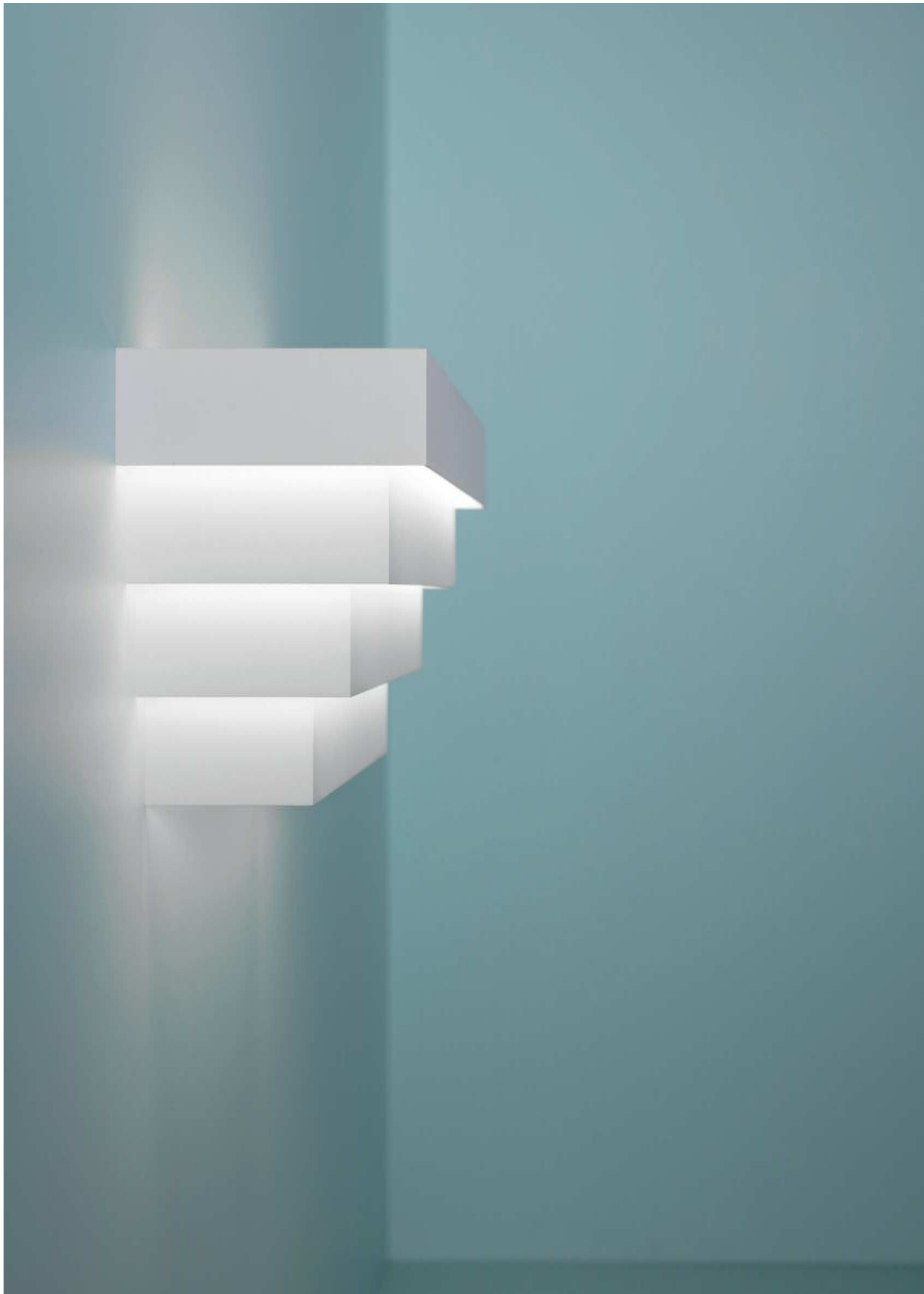
**GALA XL R HP**

LED 32,6W / 3337lm / 850mA

**275 164 93 ED1** ◇  
◇ = W

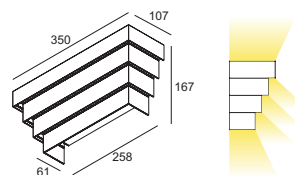
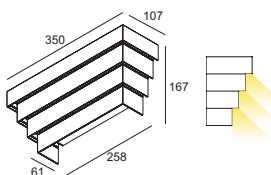
220-240V / 50-60Hz  
◇ CE 0.8 IP20







KASKADE



CRI > 90

**KASKADE 3DOWN**

**KASKADE 4DOWN - 1UP**

3000 K

LED CLUSTER 22W / 2200lm / 500mA

LED CLUSTER (UP) 4W / 400lm / 500mA  
LED CLUSTER (DOWN) 26W / 2600lm / 500mA

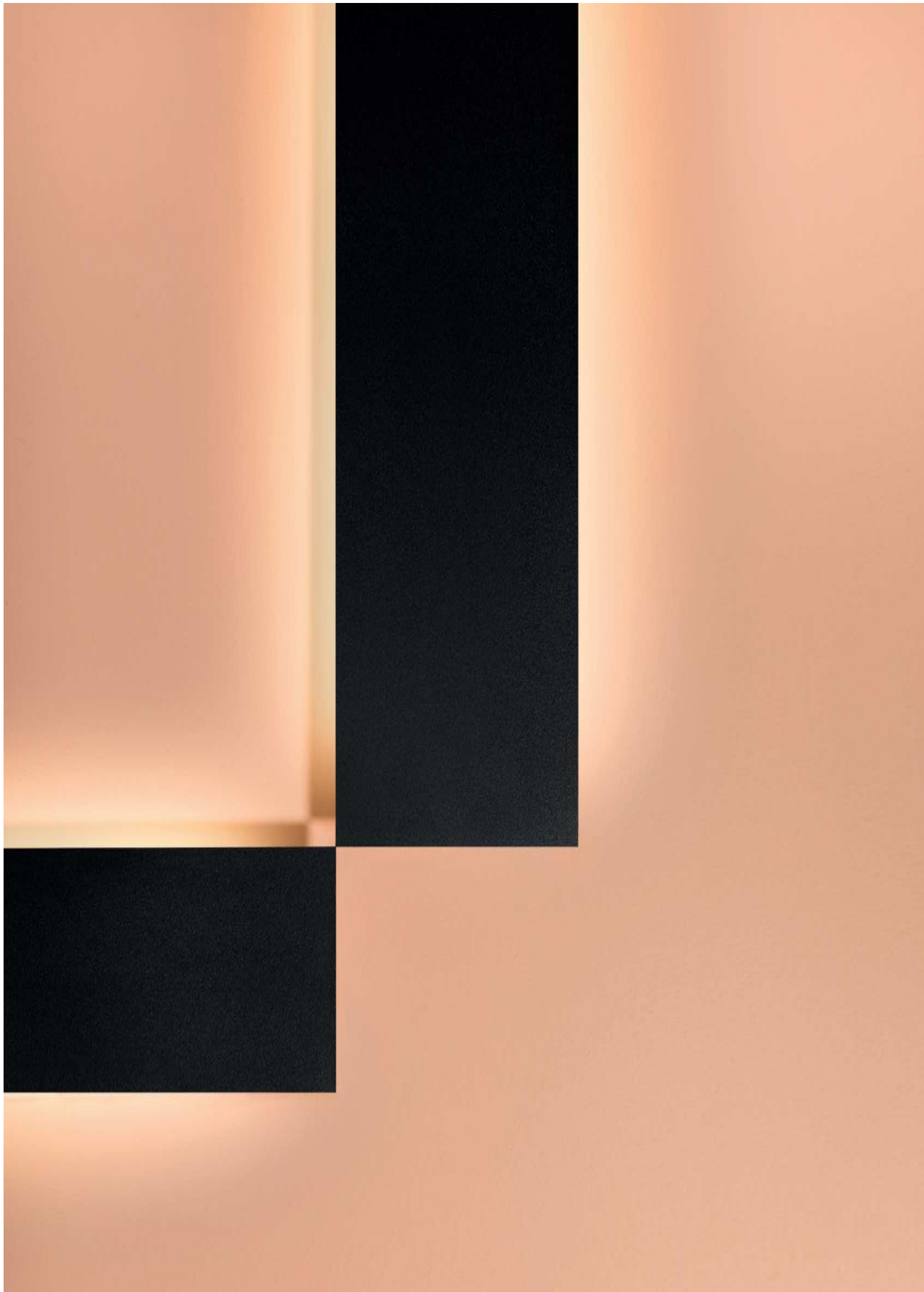


405 35 30 93 ED1 ◇  
◇ = B / GC / W

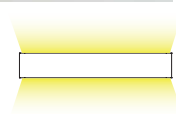
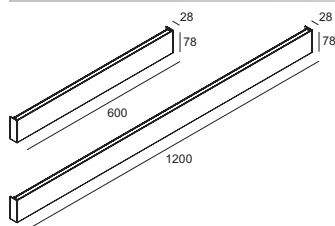
405 35 41 93 ED1 ◇  
◇ = B / GC / W

220-240V / 50-60Hz  
□ CE 1.8 IP20

220-240V / 50-60Hz  
□ CE 1.8 IP20



**FEMTOLINE W DOWN-UP**



CRI > 90	FEMTOLINE W DOWN-UP 60	FEMTOLINE W DOWN-UP 120
3000 K	LED CLUSTER (UP) 9W / 840lm / 24V-DC LED CLUSTER (DOWN) 9W / 840lm / 24V-DC	LED CLUSTER (UP) 18W / 1680lm / 24V-DC LED CLUSTER (DOWN) 18W / 1680lm / 24V-DC
	270 63 06 93 ◊ ◊ = B / W	270 63 12 93 ◊ ◊ = B / W
	220-240V / 50-60Hz ◊ CE 1,0 IP20	220-240V / 50-60Hz ◊ CE 1,6 IP20

The image features three white, L-shaped profiles stacked vertically against a light gray background. Each profile is illuminated from above, creating a soft glow and highlighting its three-dimensional form. The profiles are arranged in a descending staircase pattern from top-left to bottom-right. The top profile is the most prominent, showing its top and right sides. The middle and bottom profiles are partially obscured behind it, showing their top and left sides. The overall aesthetic is clean, modern, and minimalist.

# PROFILES

—



#### DOT.COM WALLWASH TR

Be it to accentuate pieces of art or to reduce contrasts by enhancing vertical illumination, wallwash lighting has multiple purposes. The made-to-measure trimless Dot.Com Wallwash profile enables you to customize wallwash lighting to your own preferences and to adapt it perfectly to the dimensions of the room.



#### KASKADE

Individual wall mounted luminaires are ideal to generate a particular mood in a room. The waterfall of light, created by Kaskade, is such an instant moodmaker. Moreover, as a bespoke light solution, you can choose your own set-up and determine your desired length.



#### FEMTOLINE ADDITIONS

Femtoline, the most extensive profile family within the Delta Light® range, welcomes two more members to its collection: Femtoline W Down-Up and Femtoline 55. Similar to the other Femtoline profiles, the end user is able to determine the length and LED flex of his preference, even Tunable White or RGB is possible. Femtoline 55 is a surface mounted profile with a limited height of 25mm, resulting in a recessed appearance when installed.

Femtoline W Down-Up is a bespoke wall mounted profile for direct-indirect illumination on vertical surfaces. It also comes in fixed lengths of 600 and 1200mm.

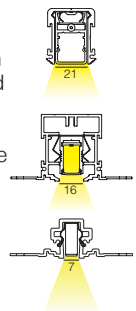


#### TAGLINE

Light that cuts through space as all you see is a slender line of light. Through recent years, Delta Light® continued the process of miniaturization within its profile range, with 21mm of width for Femtoline TR and only 16mm for Splitline 16, without losing sight of functionality. With Tagline, we take it another step further, as the minimalistic design of the Tagline profiles ends up in a stroke of light with a width of only 7mm when applied in the trimless versions.

Excellent to form clean light accents or emphasize the borders of a room.

Also available with a small trim, as surface mounted or as pendant solution.



#### ONE-AND-ONLY

A peculiar profile, both functional as decorative. The design of the body allows you to have up to 5 lines of light out of 1 profile, 3 for direct and 2 for indirect lighting, a powerful blend for an eye-catching look.



MAGNETIC  
**PROFILES**

—

With Splitline M20, Splitline M52 and Shiftline M26, Delta Light® takes it to the next level in the profile section. These profiles offer the highest degree of freedom and flexibility, as all modules have a magnetic fixation. Splitline M20 and M52 allow for a neat, trimless installation, while Shiftline M26 can be used for projects where surface mounting is required. To create the optimal light setting, multiple light modules are available: spot modules with different beams and lumen packages going up to 2000lm for accent lighting, linear LED lines for general lighting and pendant modules for an elegant finish of the room. All modules can be placed toolfree into the profile and repositioned afterwards thanks to their magnetic fixation. Simply click the module into the profile and both mechanical and electrical connection are ensured.

As this family of profiles is powered by 48V, Smart 48 can be used for an easy 2-wire dimming/power solution, or even wireless.

In addition to The Lighting Bible 12, new lighting solutions have been added in this New Collection.




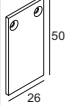
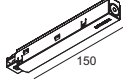

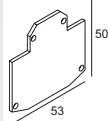
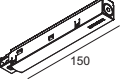
				SPLITLINE M20	SHIFTLINE M26	SPLITLINE M52
		# LED				
LED LINE		-	-	✓	✓	-
DOT.COM M		-	-	✓	✓	-
DOT.COM WALLWASH		●	-	✓	✓	-
PUNK 39		●	✓	✓	✓	-
VIZIR / VIZIR L		●	✓	✓	✓	-
HEADRA / HEADRA L		●	✓	✓	✓	-
SPY SOFT		●	✓	✓	✓	✓
LED D SOFT		●	-	-	-	✓


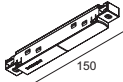
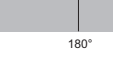
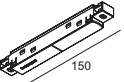
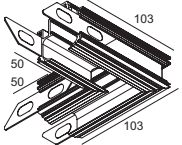
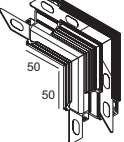
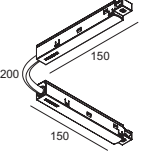


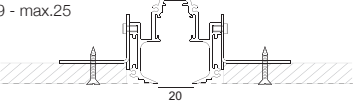
## SHIFTLINE M26

## SPLITLINE M20

PROFILE	SHIFTLINE M26	SPLITLINE M20
<p><b>SLM26 - PROFILE 1m</b> ◇ 420 26 10 00 ◇</p> <p><b>SLM26 - PROFILE 2m</b> ◇ 420 26 20 00 ◇</p> <p><b>SLM26 - PROFILE 3m</b> ◇ 420 26 30 00 ◇</p> <p>◇ = B 48V-DC (2 CONDUCTORS) 2 DIM CONDUCTORS (FOR INDIVIDUAL DALI DIMMING / DALI DIMMABLE LUMINAIRES ON REQUEST)</p> <p>IP20</p> <p>Kg / m</p> <p>1,0</p> <p>TOL EN12020-2</p>	 	  <p><b>SPM20 - PROFILE 1m</b> ◇ 420 20 10 00 ◇</p> <p><b>SPM20 - PROFILE 2m</b> ◇ 420 20 20 00 ◇</p> <p><b>SPM20 - PROFILE 3m</b> ◇ 420 20 30 00 ◇</p> <p>◇ = B 48V-DC (2 CONDUCTORS) 2 DIM CONDUCTORS (FOR INDIVIDUAL DALI DIMMING / DALI DIMMABLE LUMINAIRES ON REQUEST)</p> <p>IP20</p> <p>Kg / m</p> <p>0,2</p> <p>TOL EN12020-2</p>

END CAP	SHIFTLINE M26	SPLITLINE M20
  <p><b>SPM20 - END CAP</b> ◇ 420 20 03 01 ◇</p> <p>◇ = B</p> <p>0,1</p>	 <p><b>SPM - SUPPLY 48V</b> 420 99 03 48V-DC MAX.200W / SUPPLY / MAX.50m</p> <p>IP20</p> <p>0,1</p>	   <p><b>SLM26 - END CAP</b> ◇ 420 26 03 01 ◇</p> <p>◇ = B</p> <p>0,1</p> <p><b>SPM - SUPPLY 48V</b> 420 99 03 48V-DC MAX.200W / SUPPLY / MAX.50m</p> <p>IP20</p> <p>0,1</p>

CORNER	SHIFTLINE M26	SPLITLINE M20
<p><b>SPM - CORNER 180°</b> 420 06 01</p> <p>0,1</p> <p><b>+</b></p> <p><b>SPM - CONNECTOR 48V-180°</b> 420 99 01 48V-DC MAX.200W / SUPPLY / MAX.50m</p> <p>IP20</p>  	<p><b>SPM - CORNER 180°</b> 420 06 01</p> <p>0,1</p> <p><b>+</b></p> <p><b>SPM - CONNECTOR 48V-180°</b> 420 99 01 48V-DC MAX.200W / SUPPLY / MAX.50m</p> <p>IP20</p>  	<p><b>SPM20 - CORNER SET 90°</b> 420 20 06 06</p> <p>0,2</p>  <p><b>SPM20 - CORNER SET V90°</b> 420 20 06 17</p> <p>0,2</p>  <p><b>+</b></p> <p><b>SPM - CONNECTOR 48V-90°</b> 420 99 02 48V-DC MAX.200W / SUPPLY / MAX.50m</p> <p>IP20</p> 

FIXATION	SPLITLINE M20
	<p><b>SPM20 - FIXATION SET</b> 420 20 14 01 SET OF 2 PCS</p> <p>0,2</p>  <p>57 x (L + 5) x 85 min. 9 - max.25</p>

**SPLITLINE M52**



**SPM52 - PROFILE 1m** ◇  
420 52 10 00 ◇

**SPM52 - PROFILE 2m** ◇  
420 52 20 00 ◇

**SPM52 - PROFILE 3m** ◇  
420 52 30 00 ◇

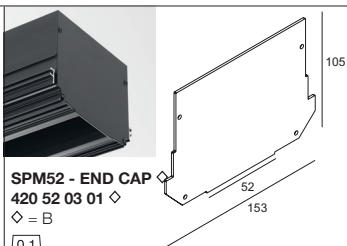
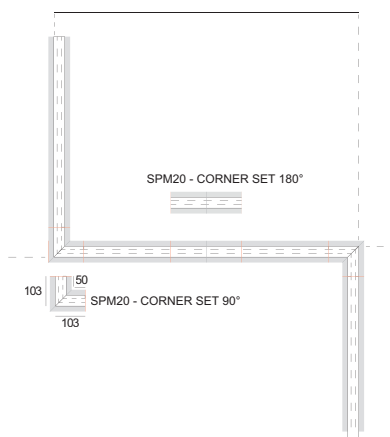
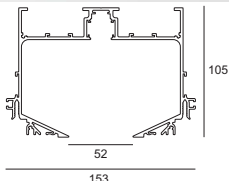
◇ = B  
48V-DC ( 2 CONDUCTORS)  
2 DIM CONDUCTORS (FOR INDIVIDUAL DALI DIMMING /  
DALI DIMMABLE LUMINAIRES ON REQUEST)

◇ IP20

Kg / m

3,7

TOL EN12020-2



**SPM52 - END CAP** ◇

420 52 03 01 ◇

◇ = B

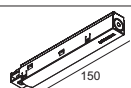
0,1

**SPM - SUPPLY 48V**

420 99 03

48V-DC MAX.200W / SUPPLY /  
MAX.50m

◇ IP20



**SPM - CORNER 180°**

420 06 01

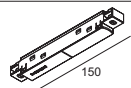
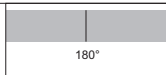
0,1

**SPM - CONNECTOR 48V-180°**

420 99 01

48V-DC MAX.200W / SUPPLY / MAX.50m

◇ IP20



**SPM52 - CORNER SET 90°**

420 52 06 06

0,9

**SPM52 - CORNER SET V90°**

420 52 06 17

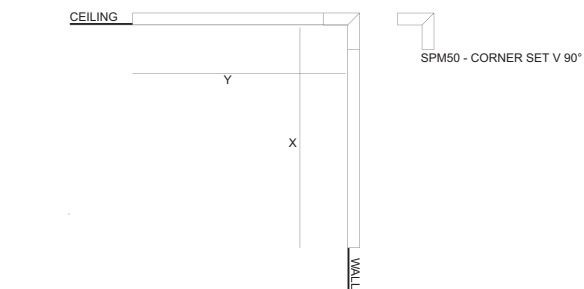
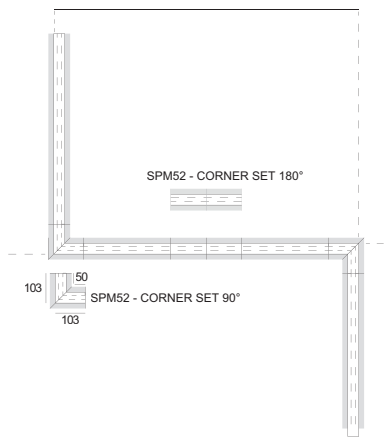
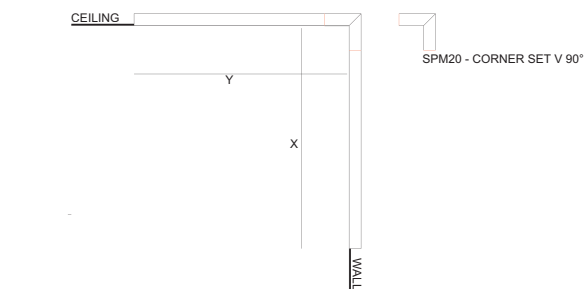
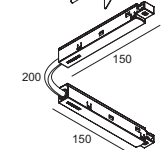
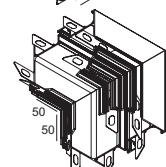
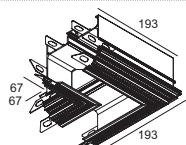
0,8

**SPM - CONNECTOR 48V-90°**

420 99 02

48V-DC MAX.200W / SUPPLY / MAX.50m

◇ IP20

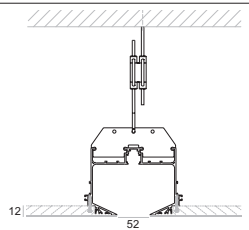
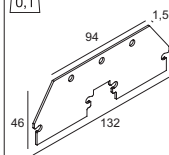


121 x (L + 5) x 150 max.12

**SPM52 - SUSPENSION BRACKET**

420 52 98 01

0,1





FULL INFO TECHNICAL CHAPTER

## REQUIREMENTS

### CONTROL GEAR



**LED POWER SUPPLY** 314 x 63 x 40  
**48V / 90W**  
**300 89 48 90**

**LED POWER SUPPLY** 100 x 55 x 90  
**48V / 100W**  
**300 89 48 100**

**LED POWER SUPPLY** 240 x 60 x 49  
**48V / 150W**  
**300 89 48 150**

**LED POWER SUPPLY** 114 x 63 x 125  
**48V / 240W**  
**300 89 48 240**

FULL INFO TECHNICAL CHAPTER

## OPTIONS

### CONTROL GEAR



**DIMMABLE** 93 x 78 x 56  
**MODULATOR 48V-DC DIM9**  
**300 90 011**

**WIRELESS DIMMABLE** 93 x 78 x 56  
**MODULATOR 48V-DC**  
**300 90 012**

SMART  
48  
V  
IN

DELTA  
IN

SMART  
48  
V  
IN

DIMMABLE MODULATION INFO PAG TEC 6  
 DIM9: DIMMING BY 1-10V / DALI / PUSH BUTTON



### M20 / M26 - LED LINE HE

**M20 / M26 - LED LINE HE**  
 INCL.LEDFLEX FP 8W/m / 3000K ●  
 CRI >90 / 1100lm/m  
 EXCL.LED POWER SUPPLY 48V-DC

◆ CE 0,3 IP20

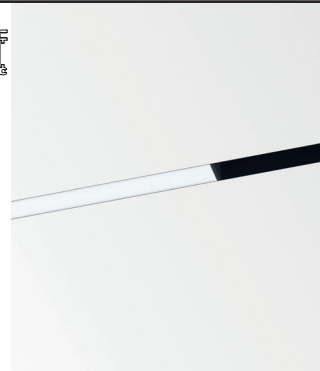
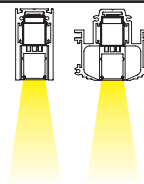
**REQUIREMENTS**  
 LED POWER SUPPLY 48V-DC

**OPTIONS**  
 DIMMABLE MODULATOR

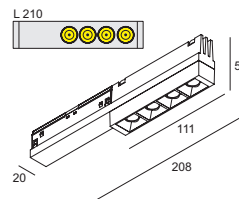
Watt Lmm

1 x 5	610	<b>421 313 06 93 MDL</b> ◇
1 x 6,5	810	<b>421 313 08 93 MDL</b> ◇
1 x 8	1010	<b>421 313 10 93 MDL</b> ◇
1 x 9,5	1210	<b>421 313 12 93 MDL</b> ◇

◇ = B



### M20 / M26 - DOT.COM M



CRI > 90

#### M20 / M26 - DOT.COM M4 MDL

<b>3000 K</b>	LED CLUSTER 5,6W / 628lm / 48V-DC												
<b>MDL</b>	<table border="0"> <tr> <td>REFL SP 14°</td> <td><b>424 612 04 931 MDL</b> ◇</td> </tr> <tr> <td></td> <td>◇ = B-B / B-C / B-MMAT</td> </tr> <tr> <td>REFL FL 33°</td> <td><b>424 612 04 932 MDL</b> ◇</td> </tr> <tr> <td></td> <td>◇ = B-B / B-C / B-MMAT</td> </tr> <tr> <td>REFL WFL 49°</td> <td><b>424 612 04 933 MDL</b> ◇</td> </tr> <tr> <td></td> <td>◇ = B-B / B-C / B-MMAT</td> </tr> </table>	REFL SP 14°	<b>424 612 04 931 MDL</b> ◇		◇ = B-B / B-C / B-MMAT	REFL FL 33°	<b>424 612 04 932 MDL</b> ◇		◇ = B-B / B-C / B-MMAT	REFL WFL 49°	<b>424 612 04 933 MDL</b> ◇		◇ = B-B / B-C / B-MMAT
REFL SP 14°	<b>424 612 04 931 MDL</b> ◇												
	◇ = B-B / B-C / B-MMAT												
REFL FL 33°	<b>424 612 04 932 MDL</b> ◇												
	◇ = B-B / B-C / B-MMAT												
REFL WFL 49°	<b>424 612 04 933 MDL</b> ◇												
	◇ = B-B / B-C / B-MMAT												
<b>2700 K</b>	LED CLUSTER 5,6W / 612lm / 48V-DC												
<b>MDL</b>	<table border="0"> <tr> <td>REFL SP 14°</td> <td><b>424 612 04 921 MDL</b> ◇</td> </tr> <tr> <td></td> <td>◇ = B-B / B-C / B-MMAT</td> </tr> <tr> <td>REFL FL 33°</td> <td><b>424 612 04 922 MDL</b> ◇</td> </tr> <tr> <td></td> <td>◇ = B-B / B-C / B-MMAT</td> </tr> <tr> <td>REFL WFL 49°</td> <td><b>424 612 04 923 MDL</b> ◇</td> </tr> <tr> <td></td> <td>◇ = B-B / B-C / B-MMAT</td> </tr> </table>	REFL SP 14°	<b>424 612 04 921 MDL</b> ◇		◇ = B-B / B-C / B-MMAT	REFL FL 33°	<b>424 612 04 922 MDL</b> ◇		◇ = B-B / B-C / B-MMAT	REFL WFL 49°	<b>424 612 04 923 MDL</b> ◇		◇ = B-B / B-C / B-MMAT
REFL SP 14°	<b>424 612 04 921 MDL</b> ◇												
	◇ = B-B / B-C / B-MMAT												
REFL FL 33°	<b>424 612 04 922 MDL</b> ◇												
	◇ = B-B / B-C / B-MMAT												
REFL WFL 49°	<b>424 612 04 923 MDL</b> ◇												
	◇ = B-B / B-C / B-MMAT												

NON ADJUSTABLE

◆ CE 0,2 IP20

**REQUIREMENTS**  
 LED POWER SUPPLY 48V-DC

**OPTIONS**  
 DIMMABLE MODULATOR

DALI DIMMING (DIM5) ON REQUEST

FULL INFO TECHNICAL CHAPTER

## REQUIREMENTS

### CONTROL GEAR



**LED POWER SUPPLY** 314 x 63 x 40  
48V / 90W  
300 89 48 90

**LED POWER SUPPLY** 100 x 55 x 90  
48V / 100W  
300 89 48 100

**LED POWER SUPPLY** 240 x 60 x 49  
48V / 150W  
300 89 48 150

**LED POWER SUPPLY** 114 x 63 x 125  
48V / 240W  
300 89 48 240

FULL INFO TECHNICAL CHAPTER

## OPTIONS

### CONTROL GEAR



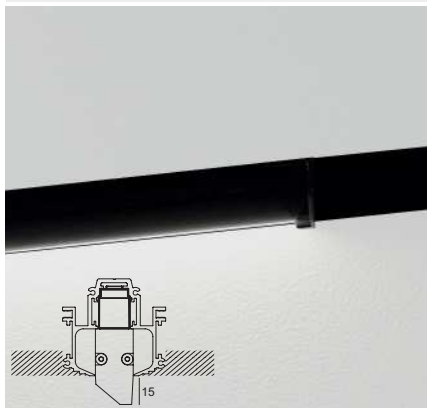
**DIMMABLE MODULATOR 48V-DC DIM9** 93 x 78 x 56  
300 90 011



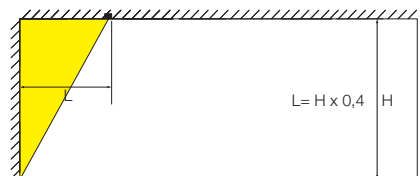
**WIRELESS DIMMABLE MODULATOR 48V-DC** 93 x 78 x 56  
300 90 012



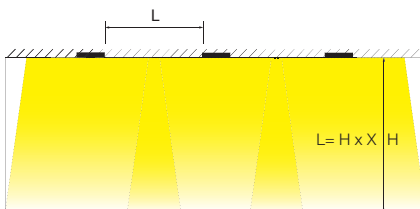
DIMMABLE MODULATION INFO PAG TEC 6  
DIM9: DIMMING BY 1-10V / DALI / PUSH BUTTON



POSITION FOR INSTALLATION



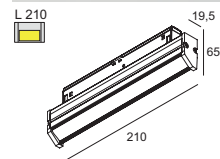
example: H=3000 mm → L= 3000 mm x 0,4 = 1200 mm



example: H=3000 mm → L= 3000 mm x 0,5 = 1500 mm

	X
DOT.COM L WALLWASH 02	0,5
DOT.COM L WALLWASH 06	0,25
DOT.COM L WALLWASH 08	0,33
DOT.COM L WALLWASH 12	0,5

## M20 / M26 - DOT.COM WALLWASH



CRI > 90

M20 / M26 - DOT.COM WALLWASH 02 HO

3000 K

LED CLUSTER 10W / 1000lm / 48V-DC

MDL

424 642 02 93 MDL ◇  
◇ = B

2700 K

LED CLUSTER 10W / 1000lm / 48V-DC

MDL

424 642 02 92 MDL ◇  
◇ = B

NON ADJUSTABLE

CE 0,3 IP20

REQUIREMENTS

LED POWER SUPPLY 48V-DC

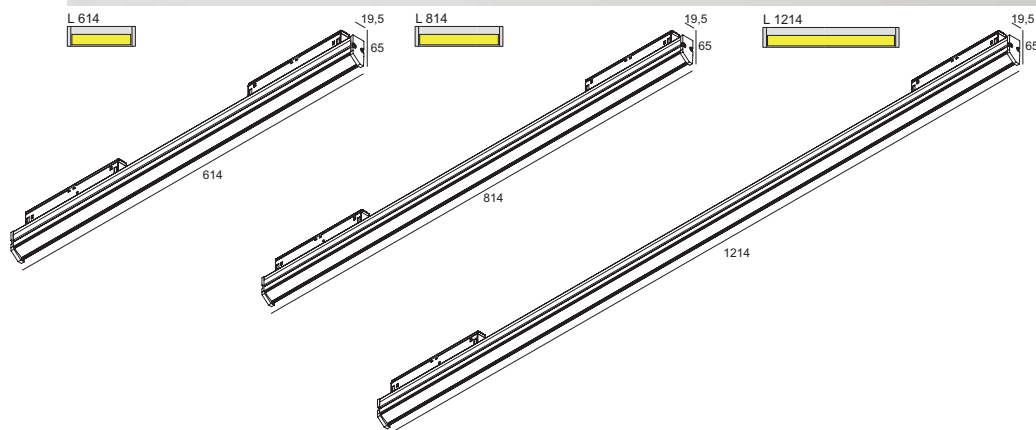
OPTIONS

DIMMABLE MODULATOR

DALI DIMMING (DIM5) ON REQUEST



### M20 / M26 - DOT.COM WALLWASH



	M20 / M26 - DOT.COM WALLWASH 06	M20 / M26 - DOT.COM WALLWASH 08	M20 / M26 - DOT.COM WALLWASH 12
<b>CRI &gt; 90</b>			
<b>3000 K</b>	LED CLUSTER 4,7W / 600lm / 48V-DC	LED CLUSTER 6,3W / 800lm / 48V-DC	LED CLUSTER 9,3W / 1200lm / 48V-DC
<b>MDL</b>	424 642 06 93 MDL ◊ ◊ = B	424 642 08 93 MDL ◊ ◊ = B	424 642 12 93 MDL ◊ ◊ = B
<b>2700 K</b>	LED CLUSTER 4,7W / 600lm / 48V-DC	LED CLUSTER 6,3W / 800lm / 48V-DC	LED CLUSTER 9,3W / 1200lm / 48V-DC
<b>MDL</b>	424 642 06 92 MDL ◊ ◊ = B	424 642 08 92 MDL ◊ ◊ = B	424 642 12 92 MDL ◊ ◊ = B
	NON ADJUSTABLE ◊ ◊ CE 1,4 IP20	NON ADJUSTABLE ◊ ◊ CE 1,8 IP20	NON ADJUSTABLE ◊ ◊ CE 2,5 IP20
	<b>REQUIREMENTS</b> LED POWER SUPPLY 48V-DC	<b>REQUIREMENTS</b> LED POWER SUPPLY 48V-DC	<b>REQUIREMENTS</b> LED POWER SUPPLY 48V-DC
	<b>OPTIONS</b> DIMMABLE MODULATOR	<b>OPTIONS</b> DIMMABLE MODULATOR	<b>OPTIONS</b> DIMMABLE MODULATOR
			DALI DIMMING (DIM5) ON REQUEST

## REQUIREMENTS

### INSTALLATION

**VIZIR TUBE** ◊  
**473 01 00** ◊  
 ◊ = B / FBR / FG / W



### CONTROL GEAR



**LED POWER SUPPLY 48V / 90W** 314 x 63 x 40  
**300 89 48 90**

**LED POWER SUPPLY 48V / 100W** 100 x 55 x 90  
**300 89 48 100**

**LED POWER SUPPLY 48V / 150W** 240 x 60 x 49  
**300 89 48 150**

**LED POWER SUPPLY 48V / 240W** 114 x 63 x 125  
**300 89 48 240**

## OPTIONS

### CONTROL GEAR



**DIMMABLE MODULATOR 48V-DC DIM9** 93 x 78 x 56  
**300 90 011**



**WIRELESS DIMMABLE MODULATOR 48V-DC** 93 x 78 x 56  
**300 90 012**



DIMMABLE MODULATION INFO PAG TEC 6  
 DIM9: DIMMING BY 1-10V / DALI / PUSH BUTTON

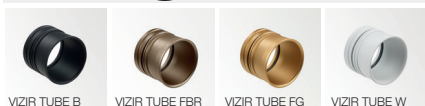
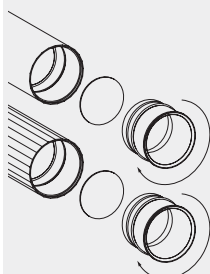
## ACCESSORIES



**VIZIR HONEYCOMB** ◊ Ø40  
**473 03 01** ◊  
 ◊ = B



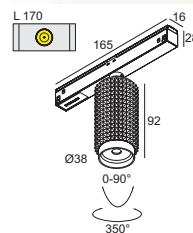
**VIZIR SOFTENING LENS** Ø40  
**473 03 04**



VIZIR TUBE B VIZIR TUBE FBR VIZIR TUBE FG VIZIR TUBE W



## M20 / M26- PUNK 39



CRI > 90

M20 / M26 - PUNK 39

3000 K

LED 7,1W / 774lm / 48V-DC



**471 151 811 931 MDL** ◊  
 ◊ = B

2700 K

LED 7,1W / 743lm / 48V-DC



**471 151 811 921 MDL** ◊  
 ◊ = B

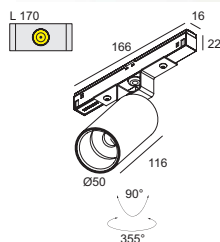
ADJUSTABLE 0-90° / 350°

◊ CE 0.2 IP20

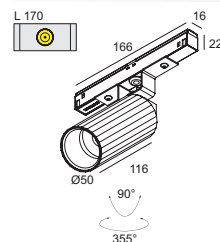
**REQUIREMENTS**  
 LED POWER SUPPLY 48V-DC  
**OPTIONS**  
 DIMMABLE MODULATOR

DALI DIMMING (DIM5) ON REQUEST

**M20 / M26 - VIZIR**



**M20 / M26 - HEDRA**



**CRI > 80 M20 / M26 - VIZIR**

**3000 K** LED 6W / 558lm / 48V-DC

**MDL** [LENS SP 15°] **473 151 831 MDL** ◊  
◊ = BBR-B / GC-B

**2700 K** LED 6W / 558lm / 48V-DC

**MDL** [LENS SP 15°] **473 151 821 MDL** ◊  
◊ = BBR-B / GC-B

ADJUSTABLE 0-90° / 355°

◊ CE [0,3] IP20

**REQUIREMENTS**  
VIZIR TUBE  
LED POWER SUPPLY 48V-DC

**OPTIONS**  
DIMMABLE MODULATOR

**ACCESSORIES**  
HONEYCOMB / LENS

**CRI > 80 M20 / M26 - HEDRA**

**3000 K** LED 6W / 558lm / 48V-DC

**MDL** [LENS SP 15°] **473 251 831 MDL** ◊  
◊ = BBR-B / GC-B

**2700 K** LED 6W / 558lm / 48V-DC

**MDL** [LENS SP 15°] **473 251 821 MDL** ◊  
◊ = BBR-B / GC-B

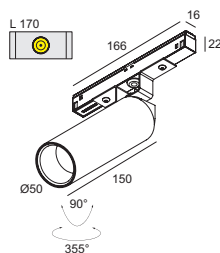
ADJUSTABLE 0-90° / 355°

◊ CE [0,3] IP20

**REQUIREMENTS**  
VIZIR TUBE  
LED POWER SUPPLY 48V-DC

**OPTIONS**  
DIMMABLE MODULATOR

**ACCESSORIES**  
HONEYCOMB / LENS



**CRI > 90 M20 / M26 - VIZIR L**

**3000 K** LED 10,4W / 1075lm / 48V-DC

**MDL** [REFL FL 33°] **473 152 811 932 MDL** ◊  
◊ = BBR-B / GC-B

**2700 K** LED 10,4W / 1032lm / 48V-DC

**MDL** [REFL FL 33°] **473 152 811 922 MDL** ◊  
◊ = BBR-B / GC-B

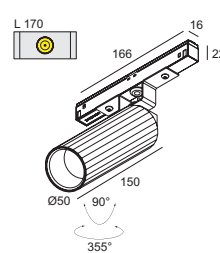
ADJUSTABLE 0-90° / 355°

◊ CE [0,3] IP20

**REQUIREMENTS**  
VIZIR TUBE  
LED POWER SUPPLY 48V-DC

**OPTIONS**  
DIMMABLE MODULATOR

**ACCESSORIES**  
HONEYCOMB / LENS



**CRI > 90 M20 / M26 - HEDRA L**

**3000 K** LED 10,4W / 1075lm / 48V-DC

**MDL** [REFL FL 33°] **473 252 811 932 MDL** ◊  
◊ = BBR-B / GC-B

**2700 K** LED 10,4W / 1032lm / 48V-DC

**MDL** [REFL FL 33°] **473 252 811 922 MDL** ◊  
◊ = BBR-B / GC-B

ADJUSTABLE 0-90° / 355°

◊ CE [0,4] IP20

**REQUIREMENTS**  
VIZIR TUBE  
LED POWER SUPPLY 48V-DC

**OPTIONS**  
DIMMABLE MODULATOR

**ACCESSORIES**  
HONEYCOMB / LENS





FULL INFO TECHNICAL CHAPTER

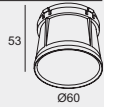
## REQUIREMENTS

### INSTALLATION

**SPY TUBE** ◇

**414 01 00** ◇

◇ = B / MMAT / SG / W



### CONTROL GEAR



**LED POWER SUPPLY 48V / 90W** 314 x 63 x 40  
**300 89 48 90**

**LED POWER SUPPLY 48V / 100W** 100 x 55 x 90  
**300 89 48 100**

**LED POWER SUPPLY 48V / 150W** 240 x 60 x 49  
**300 89 48 150**

**LED POWER SUPPLY 48V / 240W** 114 x 63 x 125  
**300 89 48 240**

FULL INFO TECHNICAL CHAPTER

## OPTIONS

### CONTROL GEAR



**DIMMABLE MODULATOR 48V-DC DIM9** 93 x 78 x 56  
**300 90 011**



**WIRELESS DIMMABLE MODULATOR 48V-DC** 93 x 78 x 56  
**300 90 012**



DIMMABLE MODULATION INFO PAG TEC 6  
 DIM9: DIMMING BY 1-10V / DALI / PUSH BUTTON

FULL INFO TECHNICAL CHAPTER

## ACCESSORIES

**HONEYCOMB 50** ◇ Ø50  
**413 03 01** ◇  
 ◇ = B



**LINEAR SPREAD LENS 50** Ø50  
**413 03 02**



**SPREAD LENS 50** Ø50  
**413 03 03**



**SOFTENING LENS 50** Ø50  
**413 03 04**



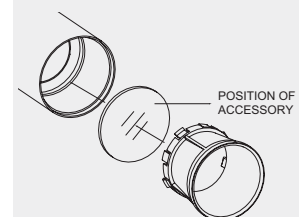
**GLASS SBL 50** Ø50  
**413 03 05**



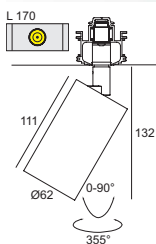
**SPY PUNK SLEEVE** ◇

**414 11 00** ◇

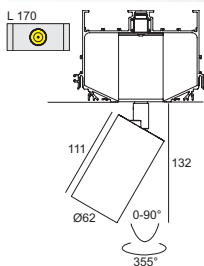
◇ = B / BP / GC



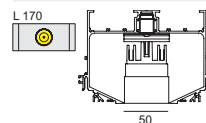
**M20 / M26 - SPY**



**M52 - SPY**



**M52 - LED**



P

CRI > 90



**M20 / M26 - SPY SOFT**

LED 10W / 565lm / 48V-DC

421 142 1902 MDL ◊  
◊ = B / W

ADJUSTABLE 0-90° / 355°

◊ CE 0,7 IP20

**REQUIREMENTS**  
SPY TUBE  
LED POWER SUPPLY 48V-DC  
DIMMABLE MODULATOR

**ACCESSORIES**  
HONEYCOMB / LENS / GLASS  
SPY PUNK SLEEVE

**M52 - SPY SOFT**

LED 10W / 565lm / 48V-DC

421 148 1902 MDL ◊  
◊ = B / W

ADJUSTABLE 0-90° / 355°

◊ CE 0,7 IP20

**REQUIREMENTS**  
SPY TUBE  
LED POWER SUPPLY 48V-DC

**OPTIONS**  
DIMMABLE MODULATOR

**ACCESSORIES**  
HONEYCOMB / LENS / GLASS  
SPY PUNK SLEEVE

**M52 - 1 LED D SOFT**

LED 10W / 565lm / 48V-DC

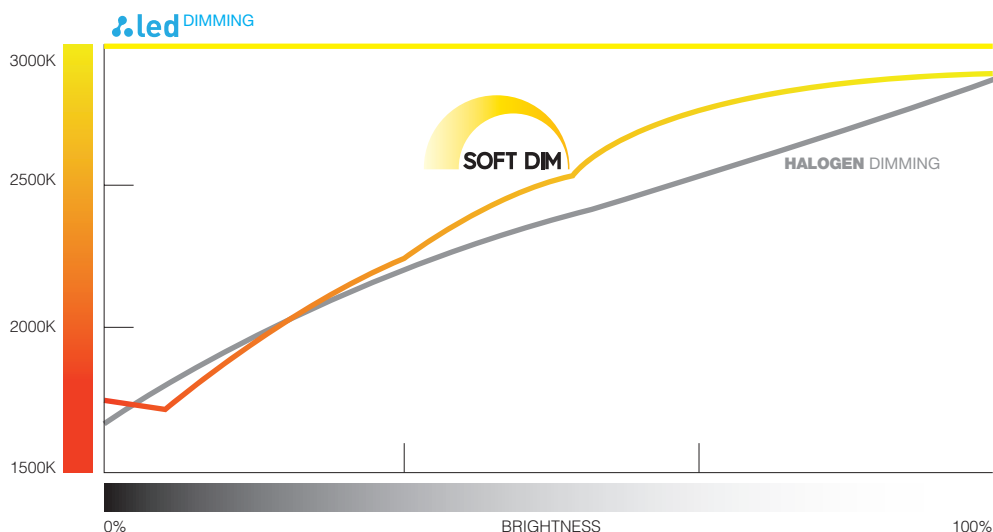
421 228 1902 D MDL

NON ADJUSTABLE

◊ CE 0,3 IP20

**REQUIREMENTS**  
LED POWER SUPPLY 48V-DC

**OPTIONS**  
DIMMABLE MODULATOR





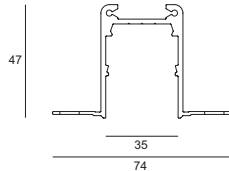
## DOT.COM WALLWASH TR

### PROFILE



**DTC-TR - PROFILE** ◇  
**424 01 00 00** ◇  
 ◇ = B  
 MAX.L / PROFILE: 6m  
 Kg / m

1,0

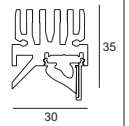


TOL EN12020-2



**DTC-LEDLINE - PROFILE** ◇  
**424 02 00 00** ◇  
 ◇ = B  
 INCL. PC SBL  
 INCL. FIXATION CLIPS  
 MAX.L / PROFILE: 4m  
 Kg / m

◇ 1,0



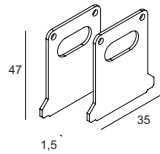
TOL EN12020-2

### END CAP



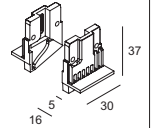
**DTC-TR - END CAP SET** ◇  
**424 01 03 01** ◇  
 ◇ = B  
 SET OF 2 PCS

0,1



**DTC-LEDLINE - END CAP SET** ◇  
**424 02 03 01** ◇  
 ◇ = B  
 SET OF 2 PCS

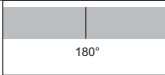
0,1



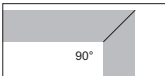
NO MODULE IN THIS AREA  
6 mm

### CORNER

**DTC-TR - CORNER 180°**  
**424 01 06 01**



**DTC-TR - CORNER 90°**  
**424 01 06 06**



### FIXATION

36 x (L + 5)

POSITION FOR INSTALLATION



L = l + 30,5mm

$l = (N \times Z) + 6\text{mm}$

N = #

Z = 100mm FOR LEDFLEX IN / FP

= 50mm FOR LEDFLEX HP

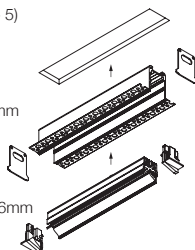
= 33,3mm FOR LEDFLEX TW

= 167mm FOR LEDFLEX RGB

36 x (L + 5)

L = l + 30,5mm

l = (N x Z) + 6mm



FULL INFO TECHNICAL CHAPTER

OPTIONS

CONTROL GEAR

24V-DC / 4A DIM1 UNIT 90 x 22 x 17  
300 90 003 ED1



24V-DC / 4A DIM5 UNIT 90 x 22 x 17  
300 90 003 ED5



24V-DC / 2 x 4A WIRELESS DIM UNIT 90 x 22 x 17  
300 90 010



LEDFLEX

5m - 24V-DC

0,3



WHITE

TW

RGB

Dividable per 100mm  
70 smd LED/m

Dividable per 60mm  
140 smd LED/m

Dividable per  
33,3mm  
180 smd LED/m

Dividable per  
167mm  
30 smd LED/m

5,1W/m  
560lm/m \*

15,1W/m  
1400lm/m \*

21,6W/m  
2100lm/m \*

14,4W/m  
1350lm/m \*

8W/m \*

CRI > 90

4000 K					
	IN	LEDFLEX IN 940 300 91 52 94	LEDFLEX IN FP 940 300 91 53 94		
3000 K					
	IN	LEDFLEX IN 930 300 91 52 93	LEDFLEX IN FP 930 300 91 53 93	LEDFLEX IN HP 930 300 91 54 93	
2700 K					
	IN	LEDFLEX IN 927 300 91 52 92	LEDFLEX IN FP 927 300 91 53 92	LEDFLEX IN HP 927 300 91 54 92	
2700 4000 K					
	IN			LEDFLEX IN TW 300 91 55 2740	
RGB					
	IN				LEDFLEX IN RGB 300 91 52 33

FULL INFO / PAG TEC

LED POWER SUPPLY 24V-DC / 20W 300 89 24 20 OPTIONS 24V-DC / 4A DIM UNIT	max.4 m	max.1 m	max.0,9 m	max.1,3 m	⊗ max.2,4 m
LED POWER SUPPLY 24V-DC / 40W 300 89 24 40 OPTIONS 24V-DC / 4A DIM UNIT	max.8 m	max.2,5 m	max.1,8 m	max.2,7 m	⊗ max.5 m
LED POWER SUPPLY 24V-DC / 60W 300 89 24 60 OPTIONS 24V-DC / 4A DIM UNIT	max.12 m	max.4 m (max.3m / Powerline)	max.2,7 m (max.3m / Powerline)	max.4,1 m	⊗ max.7,36 m
LED POWER SUPPLY 24V-DC / 80W DIM1 300 89 24 80 ED1	max.16 m	max.5 m (max.3m / Powerline)	max.3,6 m (max.3m / Powerline)	max.5,5 m	
LED POWER SUPPLY 24V-DC / 150W 300 89 24 150 OPTIONS 24V-DC / 4A DIM UNIT	max.30 m	max.10 m (max.3m / Powerline)	max.6,8 m (max.3m / Powerline)	max.10,4 m	⊗ max.18,72 m
LED POWER SUPPLY MULTI POWER DIM7 300 90 60	max.4 m	max.1,3 m	max.0,9 m		
LED POWER SUPPLY MULTI POWER DIM6 300 90 61	max.4 m	max.1,3 m	max.0,9 m		
RGB DRIVER 12/24V-DC 75/150W 300 90 331				⊗ use in combination with Led Power Supply 24V-DC	⊗ use in combination with Led Power Supply 24V-DC
TW TOUCH CONTROLLER DMX 300 90 332				⊗ use in combination with RGB Driver	
RGB TOUCH CONTROLLER DMX 300 90 330					⊗ use in combinati- on with RGB Driver


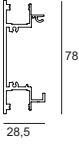
DIM1: dimming by 1-10V  
DIM6: dimming by push button / falling edge dimmer  
DIM7: dimming by push button / 1-10V

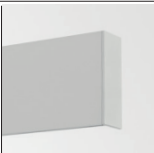
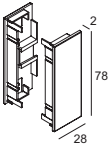
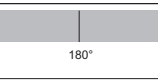

\*+/- 5%



## FEMTOLINE W DOWN-UP

p

PROFILE	 <p><b>FTLWDU - PROFILE</b> ◇ <b>426 00 00</b> ◇ ◇ = ANO / B / W INCL. 2 x PC SBL MAX. L / PROFILE: 6m Kg / m</p> <p>◇◇ <span style="border: 1px solid black; padding: 2px;">1,0</span></p>  <p>TOL EN12020-2</p>
---------	---

END CAP	  <p><b>FTLWDU - END CAP SET</b> ◇ <b>426 03 01</b> ◇ ◇ = A / B / W SET OF 2 PCS</p> <p><span style="border: 1px solid black; padding: 2px;">0,1</span></p>
CORNER	<p><b>FTLWDU - CORNER 180°</b> <b>426 06 01</b></p> <p><span style="border: 1px solid black; padding: 2px;">0,1</span></p> 
FIXATION	<p><b>FTLWDU - FIXATION SET</b> <b>426 14 01</b> SET OF 2 PCS</p> <p><span style="border: 1px solid black; padding: 2px;">0,2</span></p> 
CURRENT SUPPLY	

FULL INFO TECHNICAL CHAPTER

OPTIONS

CONTROL GEAR

24V-DC / 4A DIM1 UNIT  
300 90 003 ED1



24V-DC / 4A DIM5 UNIT  
300 90 003 ED5



24V-DC / 2 x 4A WIRELESS DIM UNIT  
300 90 010



CRI > 90

		LED FLEX				
		5m - 24V-DC				
		0,3				
		WHITE		TW	RGB	
		Dividable per 100mm 70 smd LED/m		Dividable per 50mm 140 smd LED/m	Dividable per 33,3mm 180 smd LED/m	Dividable per 167mm 30 smd LED/m
		5,1W/m 560lm/m *	15,1W/m 1400lm/m *	21,6W/m 2100lm/m *	14,4W/m 1350lm/m *	8W/m *
4000 K	IN	LED FLEX IN 940 300 91 52 94	LED FLEX IN FP 940 300 91 53 94			
	OUT IP65	LED FLEX OUT 940 300 91 62 94	LED FLEX OUT FP 940 300 91 63 94			
3000 K	IN	LED FLEX IN 930 300 91 52 93	LED FLEX IN FP 930 300 91 53 93	LED FLEX IN HP 930 300 91 54 93		
	OUT IP65	LED FLEX OUT 930 300 91 62 93	LED FLEX OUT FP 930 300 91 63 93			
2700 K	IN	LED FLEX IN 927 300 91 52 92	LED FLEX IN FP 927 300 91 53 92	LED FLEX IN HP 927 300 91 54 92		
	OUT IP65	LED FLEX OUT 927 300 91 62 92	LED FLEX OUT FP 927 300 91 63 92			
2700 4000 K	IN				LED FLEX IN TW 300 91 55 2740	
	OUT IP65					
RGB	IN					LED FLEX IN RGB 300 91 52 33
	OUT IP65					LED FLEX OUT RGB 300 91 62 33

FULL INFO / PAG TEC

LED POWER SUPPLY 24V-DC / 20W 300 89 24 20 OPTIONS 24V-DC / 4A DIM UNIT	max.4 m	max.1 m	max.0,9 m	max.1,3 m	⊗ max.2,4 m
LED POWER SUPPLY 24V-DC / 40W 300 89 24 40 OPTIONS 24V-DC / 4A DIM UNIT	max.8 m	max.2,5 m	max.1,8 m	max.2,7 m	⊗ max.5 m
LED POWER SUPPLY 24V-DC / 60W 300 89 24 60 OPTIONS 24V-DC / 4A DIM UNIT	max.12 m	max.4 m (max.3m / Powerline)	max.2,7 m (max.3m / Powerline)	max.4,1 m	⊗ max.7,36 m
LED POWER SUPPLY 24V-DC / 80W DIM1 300 89 24 80 ED1	max.16 m	max.5 m (max.3m / Powerline)	max.3,6 m (max.3m / Powerline)	max.5,5 m	
LED POWER SUPPLY 24V-DC / 150W 300 89 24 150 OPTIONS 24V-DC / 4A DIM UNIT	max.30 m	max.10 m (max.3m / Powerline)	max.6,8 m (max.3m / Powerline)	max.10,4 m	⊗ max.18,72 m
LED POWER SUPPLY MULTI POWER DIM7 300 90 60	max.4 m	max.1,3 m	max.0,9 m		
LED POWER SUPPLY MULTI POWER DIM6 300 90 61	max.4 m	max.1,3 m	max.0,9 m		
RGB DRIVER 12/24V-DC 75/150W 300 90 331				⊗ use in combination with Led Power Supply 24V-DC	⊗ use in combination with Led Power Supply 24V-DC
TW TOUCH CONTROLLER DMX 300 90 332				⊗ use in combination with RGB Driver	
RGB TOUCH CONTROLLER DMX 300 90 330					⊗ use in combinati- on with RGB Driver

DIM1: dimming by 1-10V  
DIM6: dimming by push button / falling edge dimmer  
DIM7: dimming by push button / 1-10V

\* +/- 5%



# FEMTOLINE 55

## PROFILE



### FTL55 - PROFILE ◊

392 04 00 00 ◊

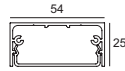
◊ = ANO / B / W

INCL.PC SBL

MAX.L / PROFILE: 6m

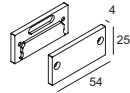
Kg / m

◊ 0,6



TOL EN12020-2

## END CAP



### FTL55 - END CAP SET ◊

392 04 03 01 ◊

◊ = A / B / W

SET OF 2 PCS

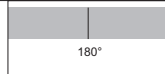
◊ 0,1

## CORNER

### FTL55 - CORNER 180°

392 04 06 01

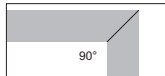
◊ 0,1



### FTL55 - CORNER 90°

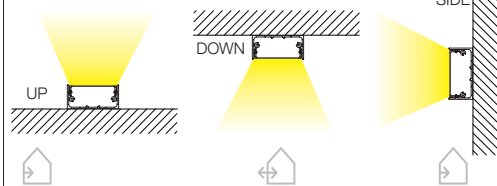
392 04 06 06

◊ 0,1

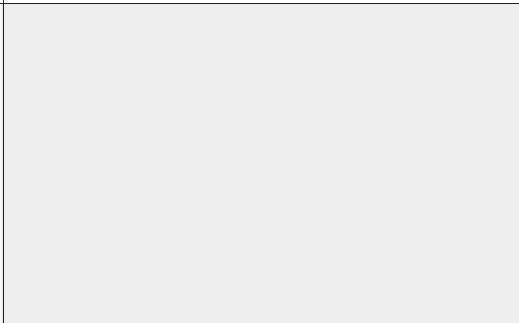


## FIXATION

### POSITION FOR INSTALLATION



## CURRENT SUPPLY



FULL INFO TECHNICAL CHAPTER

OPTIONS

CONTROL GEAR

24V-DC / 4A DIM1 UNIT 90 x 22 x 17  
300 90 003 ED1



24V-DC / 4A DIM5 UNIT 90 x 22 x 17  
300 90 003 ED5



24V-DC / 2 x 4A WIRELESS DIM UNIT 90 x 22 x 17  
300 90 010



LEDFLEX

5m - 24V-DC

0,3



WHITE

TW

RGB

Dividable per 100mm  
70 smd LED/m

Dividable per 50mm  
140 smd LED/m

Dividable per  
33,3mm  
180 smd LED/m

Dividable per  
167mm  
30 smd LED/m

5,1W/m  
560lm/m \*

15,1W/m  
1400lm/m \*

21,6W/m  
2100lm/m \*

14,4W/m  
1350lm/m \*

8W/m \*

CRI > 90

4000 K	IN	LEDFLEX IN 940 300 91 52 94	LEDFLEX IN FP 940 300 91 53 94		
	OUT IP65	LEDFLEX OUT 940 300 91 62 94	LEDFLEX OUT FP 940 300 91 63 94		
3000 K	IN	LEDFLEX IN 930 300 91 52 93	LEDFLEX IN FP 930 300 91 53 93	LEDFLEX IN HP 930 300 91 54 93	
	OUT IP65	LEDFLEX OUT 930 300 91 62 93	LEDFLEX OUT FP 930 300 91 63 93		
2700 K	IN	LEDFLEX IN 927 300 91 52 92	LEDFLEX IN FP 927 300 91 53 92	LEDFLEX IN HP 927 300 91 54 92	
	OUT IP65	LEDFLEX OUT 927 300 91 62 92	LEDFLEX OUT FP 927 300 91 63 92		
2700 4000 K	IN			LEDFLEX IN TW 300 91 55 2740	
	OUT IP65				
RGB	IN				LEDFLEX IN RGB 300 91 52 33
	OUT IP65				LEDFLEX OUT RGB 300 91 62 33

FULL INFO / PAG TEC

LED POWER SUPPLY 24V-DC / 20W 300 89 24 20 OPTIONS 24V-DC / 4A DIM UNIT	max.4 m	max.1 m	max.0,9 m	max.1,3 m	⊗ max.2,4 m
LED POWER SUPPLY 24V-DC / 40W 300 89 24 40 OPTIONS 24V-DC / 4A DIM UNIT	max.8 m	max.2,5 m	max.1,8 m	max.2,7 m	⊗ max.5 m
LED POWER SUPPLY 24V-DC / 60W 300 89 24 60 OPTIONS 24V-DC / 4A DIM UNIT	max.12 m	max.4 m (max.3m / Powerline)	max.2,7 m (max.3m / Powerline)	max.4,1 m	⊗ max.7,36 m
LED POWER SUPPLY 24V-DC / 80W DIM1 300 89 24 80 ED1	max.16 m	max.5 m (max.3m / Powerline)	max.3,6 m (max.3m / Powerline)	max.5,5 m	
LED POWER SUPPLY 24V-DC / 150W 300 89 24 150 OPTIONS 24V-DC / 4A DIM UNIT	max.30 m	max.10 m (max.3m / Powerline)	max.6,8 m (max.3m / Powerline)	max.10,4 m	⊗ max.18,72 m
LED POWER SUPPLY MULTI POWER DIM7 300 90 60	max.4 m	max.1,3 m	max.0,9 m		
LED POWER SUPPLY MULTI POWER DIM6 300 90 61	max.4 m	max.1,3 m	max.0,9 m		
RGB DRIVER 12/24V-DC 75/150W 300 90 331				⊗ use in combination with Led Power Supply 24V-DC	⊗ use in combination with Led Power Supply 24V-DC
TW TOUCH CONTROLLER DMX 300 90 332				⊗ use in combinati- on with RGB Driver	
RGB TOUCH CONTROLLER DMX 300 90 330					⊗ use in combinati- on with RGB Driver

DIM1: dimming by 1-10V  
DIM6: dimming by push button / falling edge dimmer  
DIM7: dimming by push button / 1-10V

\* +/- 5%


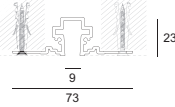




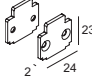

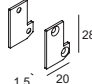
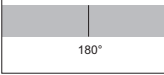
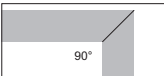
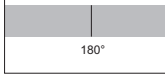
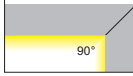
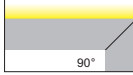
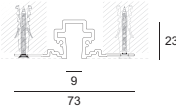
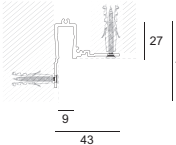
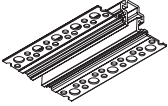
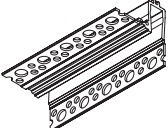


### TAGLINE TR



### TAGLINE TRW

PROFILE	 <p><b>TGL-TR - PROFILE</b> ◇  <b>425 01 00 00</b> ◇  ◇ = B  MAX.L. / PROFILE: 6m  Kg / m</p> <p>0,3</p>  <p>TOL EN12020-2</p>	 <p><b>TGL-TRW - PROFILE</b> ◇  <b>425 02 00 00</b> ◇  ◇ = B  MAX.L. / PROFILE: 6m  Kg / m</p> <p>0,4</p>  <p>TOL EN12020-2</p>
---------	--	--

END CAP	  <p><b>TGL-TR - END CAP SET</b> ◇  <b>425 01 03 01</b> ◇  ◇ = B  SET OF 2 PCS</p> <p>0,1</p>	  <p><b>TGL-TRW - END CAP SET</b> ◇  <b>425 02 03 01</b> ◇  ◇ = B  SET OF 2 PCS</p> <p>0,1</p>
CORNER	<p><b>TGL-TR - CORNER 180°</b>  <b>425 01 06 01</b></p>  <p>180°</p> <p><b>TGL-TR - CORNER 90°</b>  <b>425 01 06 06</b></p>  <p>90°</p>	<p><b>TGL-TRW - CORNER 180°</b>  <b>425 02 06 01</b></p>  <p>180°</p> <p><b>TGL-TRW - CORNER 90° INT</b>  <b>425 02 06 06</b></p>  <p>90°</p> <p><b>TGL-TRW - CORNER 90° EXT</b>  <b>425 02 06 16</b></p>  <p>90°</p>
FIXATION	<p>35 x (L + 4)</p> <p>POSITION FOR INSTALLATION</p> 	<p>25 x (L + 4)</p> <p>POSITION FOR INSTALLATION</p> 
		

P




**TGL-LEDLINE - PROFILE** ◇  
**425 03 00 00** ◇  
 ◇ = B  
 INCL. PC SBL  
 INCL. FIXATION CLIPS  
 MAX.L / PROFILE: 3m  
 Kg / m



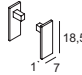
7  
19,4

◇ 1,0

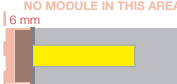
TOL EN12020-2



**TGL-LEDLINE - END CAP SET** ◇  
**425 03 03 01** ◇  
 ◇ = B  
 SET OF 2 PCS

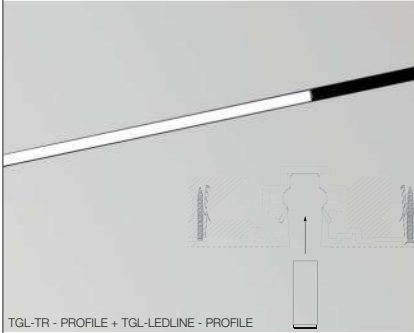


18,5  
7




NO MODULE IN THIS AREA  
6 mm


◇ 0,1



TGL-TR - PROFILE + TGL-LEDLINE - PROFILE



TGL-TRW - PROFILE + TGL-LEDLINE - PROFILE

**LEDFLEX** 

5m - 24V-DC  
 0,3

**WHITE**

Dividabile per 29,4mm  
 238 smd LED/m

9,8W/m  
 820lm/m \*

CRI > 90

4000 K	IN	LEDFLEX IN SMALL 940 300 91 51 94
3000 K	IN	LEDFLEX IN SMALL 930 300 91 51 93
2700 K	IN	LEDFLEX IN SMALL 927 300 91 51 92

FULL INFO / PAG TEC




<b>LED POWER SUPPLY 24V-DC / 20W</b> 300 89 24 20 OPTIONS 24V-DC / 4A DIM UNIT	max.2m
<b>LED POWER SUPPLY 24V-DC / 40W</b> 300 89 24 40 OPTIONS 24V-DC / 4A DIM UNIT	max.4m
<b>LED POWER SUPPLY 24V-DC / 60W</b> 300 89 24 60 OPTIONS 24V-DC / 4A DIM UNIT	max.6m (max.5m / Powerline)
<b>LED POWER SUPPLY 24V-DC / 80W DIM1</b> 300 89 24 80 ED1	max.8m (max.5m / Powerline)
<b>LED POWER SUPPLY 24V-DC / 150W</b> 300 89 24 150 OPTIONS 24V-DC / 4A DIM UNIT	max.15m (max.5m / Powerline)
<b>LED POWER SUPPLY MULTI POWER DIM7</b> 300 90 60	max.2m
<b>LED POWER SUPPLY MULTI POWER DIM6</b> 300 90 61	max.2m

DIM1: dimming by 1-10V  
 DIM6: dimming by push button / falling edge dimmer  
 DIM7: dimming by push button / 1-10V

\*+/- 5%

FULL INFO TECHNICAL CHAPTER

**OPTIONS**

<b>CONTROL GEAR</b> <b>24V-DC / 4A DIM1 UNIT</b> 300 90 003 ED1	90 x 22 x 17	
<b>24V-DC / 4A DIM5 UNIT</b> 300 90 003 ED5	90 x 22 x 17	
<b>24V-DC / 2 x 4A WIRELESS DIM UNIT</b> 300 90 010	90 x 22 x 17	

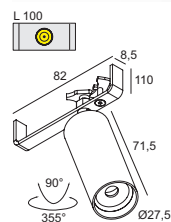
## OPTIONS

			[H]
<b>LED PS 300mA / 12W</b> <b>300 90 30</b> IP20 $\lambda > 0,55$		min. 38 Input 220-240V / 50-60Hz Output 300mA / 12W / 0-42V-DC	2
<b>LED PS 300mA / 16W DIM5</b> <b>300 90 32</b> IP20 $\lambda > 0,9$		min. 55 Input 220-240V / 50/60Hz Output 300mA / 16W / 10-52V-DC	2
<b>LED PS 300mA / 16W DIM7</b> <b>300 90 31</b> IP20 $\lambda > 0,9$		min. 55 Input 220-240V / 50/60Hz Output 300mA / 16W / 2-54V-DC	2

DIM5: DALI dimming  
 DIM7: dimming by push button / 1-10V



## TAGLINE TR - MICROSPY 27



CRI > 90

TGL-TR - MICROSPY 271

3000  
K

LED [H] 6W / 670lm / 300mA

REFL  
FL  
24°

425 27 811 931 ◇  
◇ = B / W

2700  
K

LED [H] 6W / 643lm / 300mA

REFL  
FL  
24°

425 27 811 921 ◇  
◇ = B / W

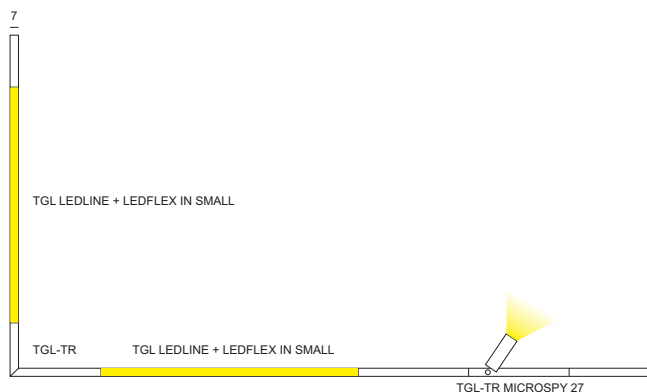
ADJUSTABLE 0-90° / 355°

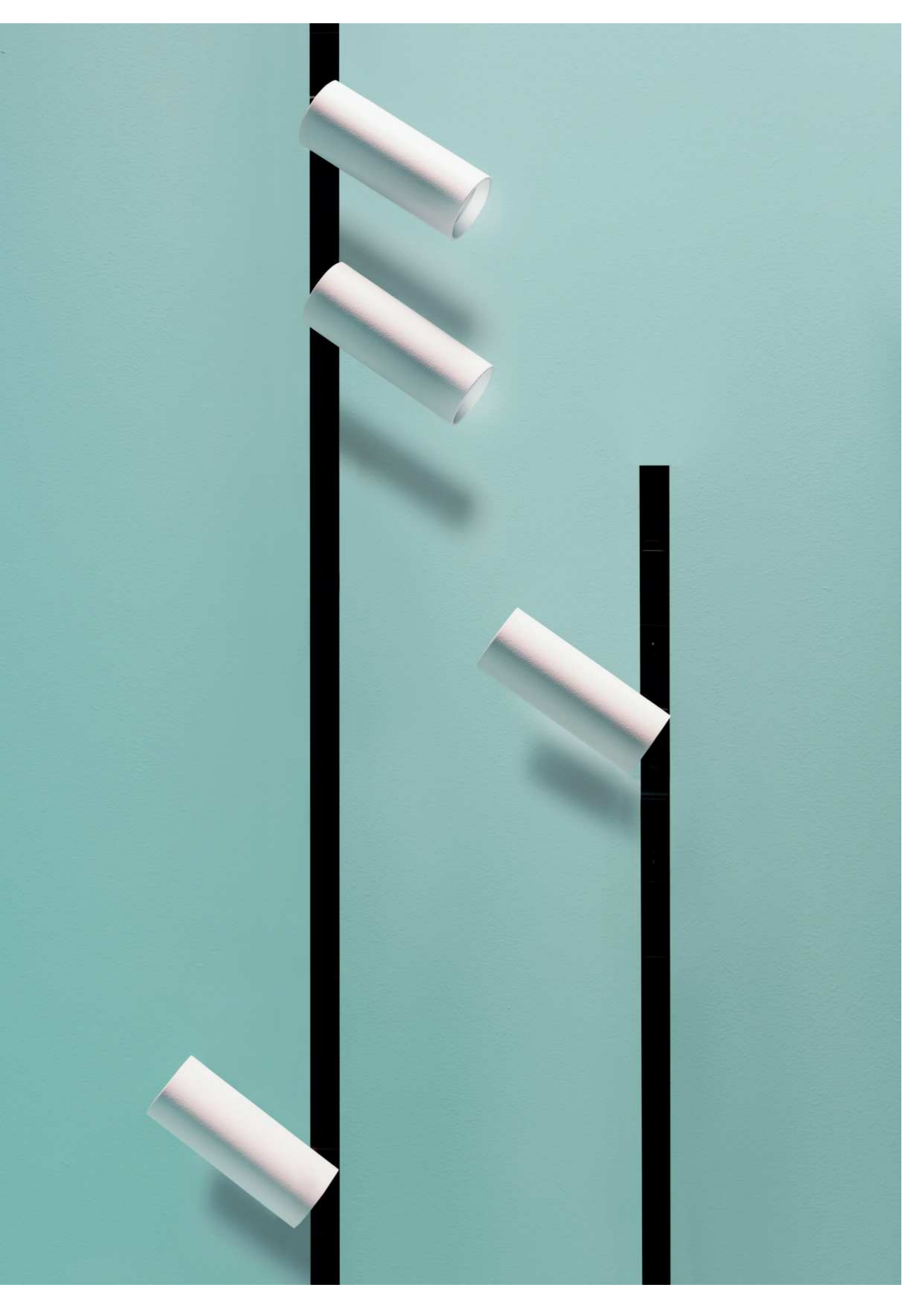
IP20

OPTIONS

LED POWER SUPPLY 300mA-DC

ONLY FOR TAGLINE TR PROFILE








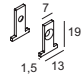
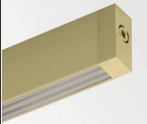
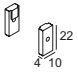
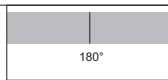
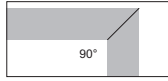
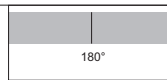
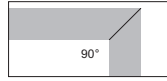
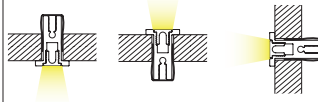
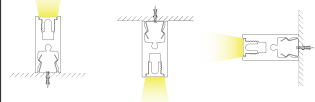
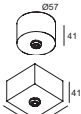
### TAGLINE ST



### TAGLINE ON

p

PROFILE	 <p><b>TGL-ST - PROFILE</b> ◇  <b>425 05 00 00</b> ◇  ◇ = B / W  MAX.L / PROFILE: 6m  Kg / m</p>  <p>13 19,5</p> <p>◇ 0,3</p> <p>TOL EN12020-2</p>	 <p><b>TGL-ON - PROFILE</b> ◇  <b>425 04 00 00</b> ◇  ◇ = B / GC / W  MAX.L / PROFILE: 6m  Kg / m</p>  <p>10 22</p> <p>◇ 0,4</p> <p>TOL EN12020-2</p>
---------	--	--

END CAP	  <p><b>TGL-ST - END CAP SET</b> ◇  <b>425 05 03 01</b> ◇  ◇ = B / W  SET OF 2 PCS</p> <p>◇ 0,1</p>	  <p><b>TGL-ON - END CAP SET</b> ◇  <b>425 04 03 01</b> ◇  ◇ = B / GC / W  SET OF 2 PCS</p> <p>◇ 0,1</p>
CORNER	<p><b>TGL-ST - CORNER 180°</b>  <b>425 05 06 01</b></p>  <p>180°</p> <p><b>TGL-ST - CORNER 90°</b>  <b>425 05 06 06</b></p>  <p>90°</p>	<p><b>TGL-ON - CORNER 180°</b>  <b>425 04 06 01</b></p>  <p>180°</p> <p><b>TGL-ON - CORNER 90°</b>  <b>425 04 06 06</b></p>  <p>90°</p>
FIXATION	<p>9 x (L + 4) / max. 12,5</p> <p><b>TGL-ST - FIXATION</b>  <b>425 05 14 01</b>  SET OF 2 PCS</p> <p>◇ 0,1</p> <p>POSITION FOR INSTALLATION</p> 	<p><b>TGL-ON - FIXATION SET</b>  <b>425 04 06 11</b>  SET OF 2 PCS</p> <p>◇ 0,1</p> <p>POSITION FOR INSTALLATION</p>  <p><b>TGL-ON - CABLE SUSPENSION SINGLE 1,6</b>  <b>425 09 01</b>  L 1,6m</p> <p>◇ 0,1</p>
CURRENT SUPPLY	<p><b>TGL-ON - POWER CABLE 1,6</b>  <b>425 97 51</b>  L 1,6m / 2 x 0.5mm<sup>2</sup></p> <p>◇ 0,1</p> <p><b>OPTIONS</b>  CABLE BASE R/S  COVERSET R 62-90-100 / S 62-80-90</p>  <p><b>203 99 55</b> ◇  ◇ = ANO / B / W</p> <p><b>203 99 56</b> ◇  ◇ = ANO / B / W</p> <p>◇ 0,1</p>	

FULL INFO TECHNICAL CHAPTER

**OPTIONS**

**CONTROL GEAR**

**24V-DC / 4A DIM1 UNIT** 90 x 22 x 17  
300 90 003 ED1



**24V-DC / 4A DIM5 UNIT** 90 x 22 x 17  
300 90 003 ED5



**24V-DC / 2 x 4A WIRELESS DIM UNIT** 90 x 22 x 17  
300 90 010



**LEDFLEX**



5m - 24V-DC

0,3

**WHITE**

Dividable per 29,4mm  
238 smd LED/m

**9,8W/m**  
**820lm/m \***

**CRI > 90**

4000 K	IN	<b>LEDFLEX IN SMALL 940</b> 300 91 51 94
3000 K	IN	<b>LEDFLEX IN SMALL 930</b> 300 91 51 93
2700 K	IN	<b>LEDFLEX IN SMALL 927</b> 300 91 51 92

FULL INFO / PAG TEC

<b>LED POWER SUPPLY 24V-DC / 20W</b> 300 89 24 20 OPTIONS 24V-DC / 4A DIM UNIT	max.2m
<b>LED POWER SUPPLY 24V-DC / 40W</b> 300 89 24 40 OPTIONS 24V-DC / 4A DIM UNIT	max.4m
<b>LED POWER SUPPLY 24V-DC / 60W</b> 300 89 24 60 OPTIONS 24V-DC / 4A DIM UNIT	max.6m (max.5m / Powerline)
<b>LED POWER SUPPLY 24V-DC / 80W DIM1</b> 300 89 24 80 ED1	max.8m (max.5m / Powerline)
<b>LED POWER SUPPLY 24V-DC / 150W</b> 300 89 24 150 OPTIONS 24V-DC / 4A DIM UNIT	max.15m (max.5m / Powerline)
<b>LED POWER SUPPLY MULTI POWER DIM7</b> 300 90 60	max.2m
<b>LED POWER SUPPLY MULTI POWER DIM6</b> 300 90 61	max.2m

DIM1: dimming by 1-10V  
DIM6: dimming by push button / falling edge dimmer  
DIM7: dimming by push button / 1-10V

\* +/- 5%





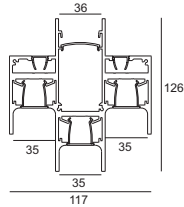
# ONE-AND-ONLY

## PROFILE



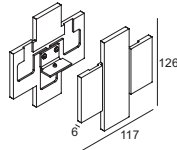
**OAO - PROFILE** ◇  
**404 00 00** ◇  
 ◇ = B / GC / W  
 INCL.PC SBL HE  
 MAX.L / PROFILE: 5m  
 Kg / m

◇ 5,3



TOL EN12020-2

## END CAP



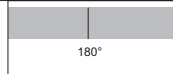
**OAO - END CAP SET** ◇  
**404 03 01** ◇  
 ◇ = B / GC / W  
 SET OF 2 PCS

◇ 0,4

## CORNER

**OAO - CORNER 180°**  
**404 06 01**

◇ 0,1



## FIXATION

**OAO - CABLE SUSPENSION SINGLE 1,6**  
**404 09 01**

L 1,6m

◇ 0,1

**OAO - CENTRAL ROD SUSPENSION 0,4m** ◇  
**328 27 40** ◇

◇ = B / W

◇ 0,1

**OAO - CENTRAL ROD SUSPENSION 0,8m** ◇  
**328 27 80** ◇

◇ = B / W

◇ 0,1



## CURRENT SUPPLY

L 1,6m / 3 x 0,75mm<sup>2</sup> **377 98 51**

L 6,0m / 3 x 0,75mm<sup>2</sup> **377 98 56**

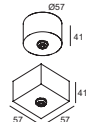
L 1,6m / 5 x 0,75mm<sup>2</sup> **377 99 51**

L 6,0m / 5 x 0,75mm<sup>2</sup> **377 99 56** ◇ 0,3



## OPTIONS

CABLE BASE R/S  
 COVERSET R 62-90-100 / S 62-80-90



**203 99 55** ◇

◇ = ANO / B / W

**203 99 56** ◇

◇ = ANO / B / W

◇ 0,1

## CURRENT SUPPLY

**LED POWER SUPPLY 24V-DC KIT 60W DIM1**  
**404 24 60 ED1**

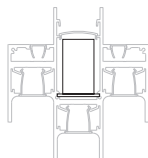
220-240V / 50-60Hz

◇ CE ◇ 0,1 IP20

**LED POWER SUPPLY 24V-DC KIT 100W**  
**404 24 100**

220-240V / 50-60Hz

◇ CE ◇ 0,1 IP20



FULL INFO TECHNICAL CHAPTER

**OPTIONS**

**CONTROL GEAR**

**24V-DC / 4A DIM1 UNIT** 90 x 22 x 17  
300 90 003 ED1




**24V-DC / 4A DIM5 UNIT** 90 x 22 x 17  
300 90 003 ED5



**24V-DC / 2 x 4A WIRELESS DIM UNIT** 90 x 22 x 17  
300 90 010



**LEDFLEX** 

5m - 24V-DC  
0,3

**WHITE**

Dividable per 55mm  
126 smd LED/m

**10W/m**  
1060lm/m \*



CRI > 90

<b>4000 K</b>	IN	<b>LEDFLEX IN MP 940</b> 300 91 56 94
<b>3000 K</b>	IN	<b>LEDFLEX IN MP 930</b> 300 91 56 93
<b>2700 K</b>	IN	<b>LEDFLEX IN MP 927</b> 300 91 56 92

FULL INFO / PAG TEC

<b>LED POWER SUPPLY 24V-DC / 20W</b> 300 89 24 20 OPTIONS 24V-DC / 4A DIM UNIT	max.2m
<b>LED POWER SUPPLY 24V-DC / 40W</b> 300 89 24 40 OPTIONS 24V-DC / 4A DIM UNIT	max.4m
<b>LED POWER SUPPLY 24V-DC / 60W</b> 300 89 24 60 OPTIONS 24V-DC / 4A DIM UNIT	max.6m
<b>LED POWER SUPPLY 24V-DC / 80W DIM1</b> 300 89 24 80 ED1	max.8m
<b>LED POWER SUPPLY 24V-DC / 150W</b> 300 89 24 150 OPTIONS 24V-DC / 4A DIM UNIT	max.15m (max.10m / Powerline)
<b>LED POWER SUPPLY MULTI POWER DIM7</b> 300 90 60	max.2m
<b>LED POWER SUPPLY MULTI POWER DIM6</b> 300 90 61	max.2m

DIM1: dimming by 1-10V  
DIM6: dimming by push button / falling edge dimmer  
DIM7: dimming by push button / 1-10V

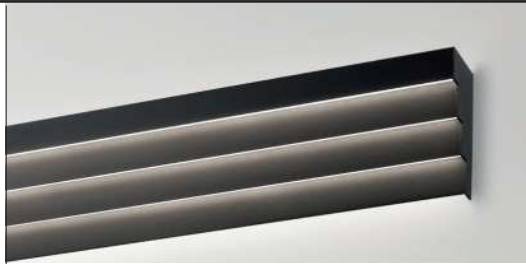
\*+/- 5%





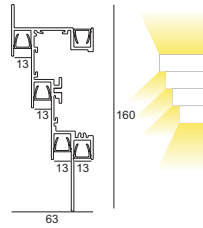
# KASKADE

PROFILE



**KSK - PROFILE** ◇  
**405 00 00** ◇  
 ◇ = B / GC / W  
 INCL. PC SBL  
 MAX. L / PROFILE: 6m  
 Kg / m

◇◇ 2,4

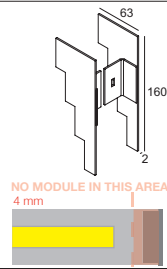


TOL EN12020-2

END CAP

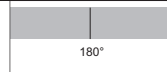


**KSK - END CAP SET** ◇  
**405 03 01** ◇  
 ◇ = B / GC / W  
 SET OF 2 PCS  
 0,1



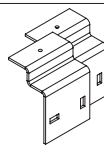
CORNER

**KSK - CORNER 180°**  
**405 06 01**

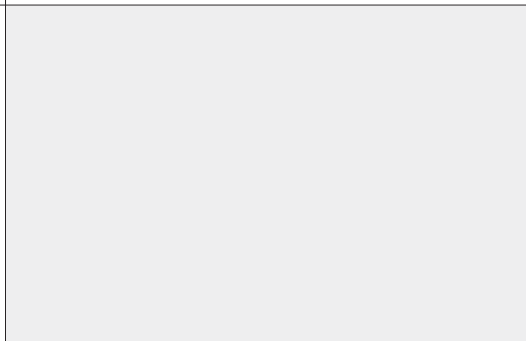


FIXATION

**KSK - FIXATION SET**  
**405 14 01**  
 SET OF 2 PCS  
 0,2



CURRENT SUPPLY



FULL INFO TECHNICAL CHAPTER

**OPTIONS**

**CONTROL GEAR**

**24V-DC / 4A DIM1 UNIT** 90 x 22 x 17  
300 90 003 ED1



**24V-DC / 4A DIM5 UNIT** 90 x 22 x 17  
300 90 003 ED5



**24V-DC / 2 x 4A WIRELESS DIM UNIT** 90 x 22 x 17  
300 90 010



**LEDFLEX**

5m - 24V-DC

0,3



**WHITE**

**TW**

**RGB**

Dividable per 100mm  
70 smd LED/m

Dividable per  
33,3mm  
180 smd LED/m

Dividable per  
167mm  
30 smd LED/m

5,1W/m  
560lm/m \*

15,1W/m  
1400lm/m \*

14,4W/m  
1350lm/m \*

8W/m \*

CRI > 90

4000 K	IN	LEDFLEX IN 940 300 91 52 94	LEDFLEX IN FP 940 300 91 53 94	
	OUT IP65	LEDFLEX OUT 940 300 91 62 94	LEDFLEX OUT FP 940 300 91 63 94	
3000 K	IN	LEDFLEX IN 930 300 91 52 93	LEDFLEX IN FP 930 300 91 53 93	
	OUT IP65	LEDFLEX OUT 930 300 91 62 93	LEDFLEX OUT FP 930 300 91 63 93	
2700 K	IN	LEDFLEX IN 927 300 91 52 92	LEDFLEX IN FP 927 300 91 53 92	
	OUT IP65	LEDFLEX OUT 927 300 91 62 92	LEDFLEX OUT FP 927 300 91 63 92	
2700 4000 K	IN			LEDFLEX IN TW 300 91 55 2740
	OUT IP65			
RGB	IN			LEDFLEX IN RGB 300 91 52 33
	OUT IP65			LEDFLEX OUT RGB 300 91 62 33

FULL INFO / PAG TEC

<b>LED POWER SUPPLY 24V-DC / 20W</b> 300 89 24 20 OPTIONS 24V-DC / 4A DIM UNIT	max.4 m	max.1 m	max.1,3 m	⊕ max.2,4 m
<b>LED POWER SUPPLY 24V-DC / 40W</b> 300 89 24 40 OPTIONS 24V-DC / 4A DIM UNIT	max.8 m	max.2,5 m	max.2,7 m	⊕ max.5 m
<b>LED POWER SUPPLY 24V-DC / 60W</b> 300 89 24 60 OPTIONS 24V-DC / 4A DIM UNIT	max.12 m	max.4 m (max.3m / Powerline)	max.4,1 m	⊕ max.7,36 m
<b>LED POWER SUPPLY 24V-DC / 80W DIM1</b> 300 89 24 80 ED1	max.16 m	max.5 m (max.3m / Powerline)	max.5,5 m	
<b>LED POWER SUPPLY 24V-DC / 150W</b> 300 89 24 150 OPTIONS 24V-DC / 4A DIM UNIT	max.30 m	max.10 m (max.3m / Powerline)	max.10,4 m	⊕ max.18,72 m
<b>LED POWER SUPPLY MULTI POWER DIM7</b> 300 90 60	max.4 m	max.1,3 m		
<b>LED POWER SUPPLY MULTI POWER DIM6</b> 300 90 61	max.4 m	max.1,3 m		
<b>RGB DRIVER 12/24V-DC 75/150W</b> 300 90 331			⊕ use in combination with Led Power Supply 24V-DC	⊕ use in combination with Led Power Supply 24V-DC
<b>TW TOUCH CONTROLLER DMX</b> 300 90 332			⊕ use in combination with RGB Driver	
<b>RGB TOUCH CONTROLLER DMX</b> 300 90 330				⊕ use in combination with RGB Driver

DIM1: dimming by 1-10V  
DIM6: dimming by push button / falling edge dimmer  
DIM7: dimming by push button / 1-10V

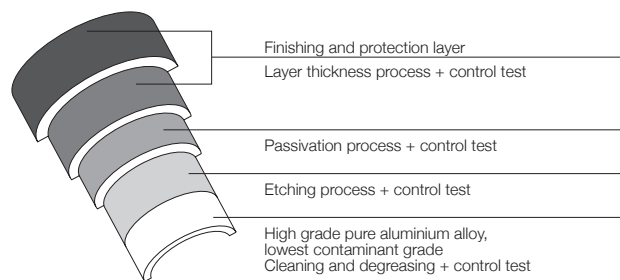
\*+/- 5%



**EXTERIOR**  
LIGHTING

---

To provide complete lighting solutions, Delta Light® also has an extensive outdoor collection in its range. Similar to indoor chapters, this outdoor collection includes ceiling, wall and floor mounted luminaires, either surface or recessed mounted. As outdoor luminaires often need to withstand harsh weather conditions, Delta Light® maintains the highest standards, both in the material choices for finishing the products, as well as in the coating process.



1000h filiform corrosion test: successfully passed



In addition to harsh weather conditions, outdoor luminaires can also be subject to collision. Therefore, the enclosure of the fixture needs to protect the electrical equipment, according to a standard classification. All exterior Delta Light® luminaires have an IK03 classification as a minimum. A selection of Delta Light® luminaires have been tested for higher IK values. These are provided with a label within the next chapters.

[www.deltalight.com/products/overview](http://www.deltalight.com/products/overview)





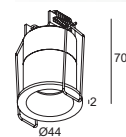
FULL INFO TECHNICAL CHAPTER

**OPTIONS**

**CONTROL GEAR**  
**LED POWER SUPPLY**  
**ALL INFO ON FOLD-OUT COVER**



**MICRO DEEP RINGO X**



38 x 80 / max.35

**CRI > 80**

**MICRO DEEP RINGO S1 X**

3000 K

LED [A] 1,1W / 120lm / 350mA  
 LED [A] 1,6W / 168lm / 500mA

LENS SP 10°

302 222 831 ◊  
 ◊ = A / W

NON ADJUSTABLE

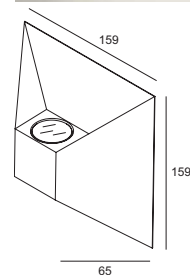
CE 0.1 IP20 IP43

**OPTIONS**  
 LED POWER SUPPLY 350-500mA-DC / DIM





LOGO



CRI > 90

LOGO

3000  
K

2 x LED 3W / 280lm / 350mA

271 06 93 ◊  
◊ = A / N / W

2700  
K

2 x LED 3W / 252lm / 350mA

271 06 92 ◊  
◊ = A / N / W

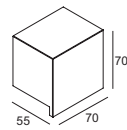
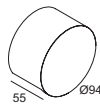
100-240V / 50-60Hz

IP55





**STIP W**



**CRI > 80**

**3000 K**

**STIP W R**

LED 4,1W / 420lm / 350mA

**223 54 83** ◊  
◊ = A / N

INCL.GLASS  
100-240V / 50-60Hz

IP55

**STIP W S**

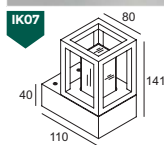
LED 4,1W / 420lm / 350mA

**223 55 83** ◊  
◊ = A / N

INCL.SYMMETRIC LENS  
100-240V / 50-60Hz

IP55

**MONTUR MINI S**



**MONTUR MINI M**



CRI > 80

**MONTUR MINI S**

3000  
K

LED 7,1W / 928lm / 350mA

**232 022 83** ◇  
◇ = B

2700  
K

LED 7,1W / 895lm / 350mA

**232 022 82** ◇  
◇ = B

INCL. GLASS OPAL  
100-240V / 50-60Hz

□ CE 0,9 IP55

**MONTUR MINI M**

LED CLUSTER 4,2W / 589lm / 350mA

**232 012 83** ◇  
◇ = B

LED CLUSTER 4,2W / 589lm / 350mA

**232 012 82** ◇  
◇ = B

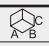




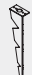
INCL. GLASS OPAL  
100-240V / 50-60Hz

◇ CE 0,7 IP65

FULL INFO TECHNICAL CHAPTER

### OPTIONS

#### INSTALLATION

<b>CBOX</b> 216 12 00	140 x 140 x 173	142 x 142 x 300	
<b>IP68 CONNECTION KIT</b> 216 12 01	95 x 45 x 25		
<b>IP68 CONNECTOR 3P</b> 216 12 02	Ø 23 x 68		
<b>PIN 2</b> 229 01 02	69 x 71 x 280		
<b>PLATE 2</b> 229 02 02	150 x 150 x 3		
<b>PIN 11</b> 229 01 11	41 x 79 x 403		

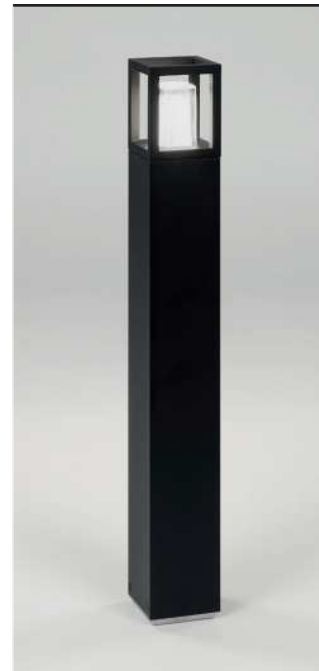
FULL INFO TECHNICAL CHAPTER

### ACCESSORIES

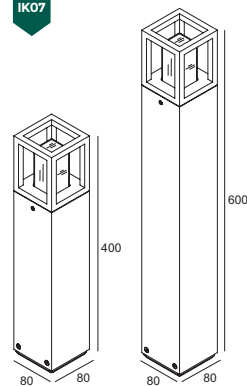
**ELBO RASTER** ◊  
223 99 01 ◊  
◊ = B



### MONTUR MINI S P



IK07



CRI > 80

MONTUR MINI S P

3000  
K

LED 7,1W / 928lm / 350mA

400mm  
1,5  
232 942 83 ◊  
◊ = B

600mm  
1,9  
232 962 83 ◊  
◊ = B

100-240V / 50-60Hz

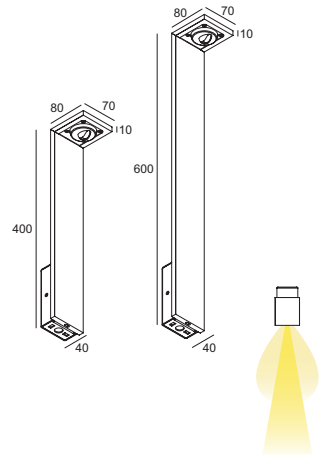
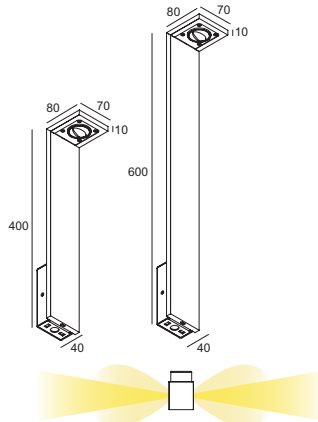
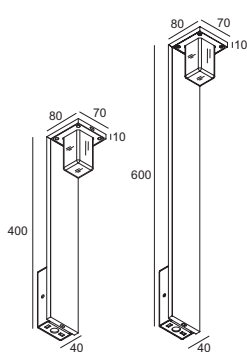
◊ CE IP55

#### OPTIONS

CBOX  
IP68 CONNECTION KIT  
IP68 CONNECTOR 3P  
PIN 2  
PLATE 2



ELBO MONTUR MINI S P 600 B + ELBO RASTER B



<b>CRI &gt; 80</b>	<b>ELBO SBL P</b>
<b>3000 K</b>	LED 7,1W / 928lm / 350mA
	400mm <b>223 44 83</b> ◇ ◇ = A / B 1,1
	600mm <b>223 46 83</b> ◇ ◇ = A / B 1,5
100-240V / 50-60Hz	
☐ CE IP55	
<b>OPTIONS</b>	
CBOX IP68 CONNECTION KIT IP68 CONNECTOR 3P PIN 11	
<b>ACCESSORIES</b>	
ELBO RASTER	

<b>CRI &gt; 80</b>	<b>ELBO SYMMETRIC P</b>
<b>3000 K</b>	LED 4,1W / 420lm / 350mA
	400mm <b>223 24 83</b> ◇ ◇ = A / B 1,0
	600mm <b>223 26 83</b> ◇ ◇ = A / B 1,4
100-240V / 50-60Hz	
☐ CE IP55	
<b>OPTIONS</b>	
CBOX IP68 CONNECTION KIT IP68 CONNECTOR 3P PIN 11	

	<b>ELBO ASYMMETRIC P</b>
	LED 4,1W / 420lm / 350mA
	400mm <b>223 34 83</b> ◇ ◇ = A / B 1,0
	600mm <b>223 36 83</b> ◇ ◇ = A / B 1,4
100-240V / 50-60Hz	
☐ CE IP55	
<b>OPTIONS</b>	
CBOX IP68 CONNECTION KIT IP68 CONNECTOR 3P PIN 11	



FULL INFO TECHNICAL CHAPTER

**OPTIONS**

**INSTALLATION**



**CBOX** 140 x 140 x 173 142 x 142 x 300  
**216 12 00**

**IP68 CONNECTION KIT** 95 x 45 x 25  
**216 12 01**



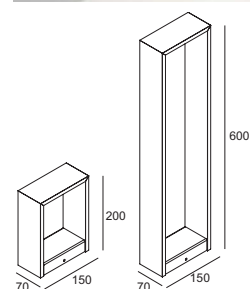
**IP68 CONNECTOR 3P** Ø 23 x 68  
**216 12 02**



**PIN 4** 55 x 126 x 405  
**229 01 04**



**ELBO BRIDGE P**



**CRI > 80**

**ELBO BRIDGE P**

**3000 K**

LED 4,1W / 420lm / 350mA

200mm **223 122 83** ◇  
 ◇ = A / B

600mm **223 126 83** ◇  
 ◇ = A / B

INCL.SYMMETRIC LENS  
 100-240V / 50-60Hz

CE IP55

**OPTIONS**

- CBOX
- IP68 CONNECTION KIT
- IP68 CONNECTOR 3P
- PIN 4



# POLE SANO

BY DEAN SKIRA

Polesano comes in 4 optics, enabling precise illumination and staging of buildings, decorative elements, paths and streetways.

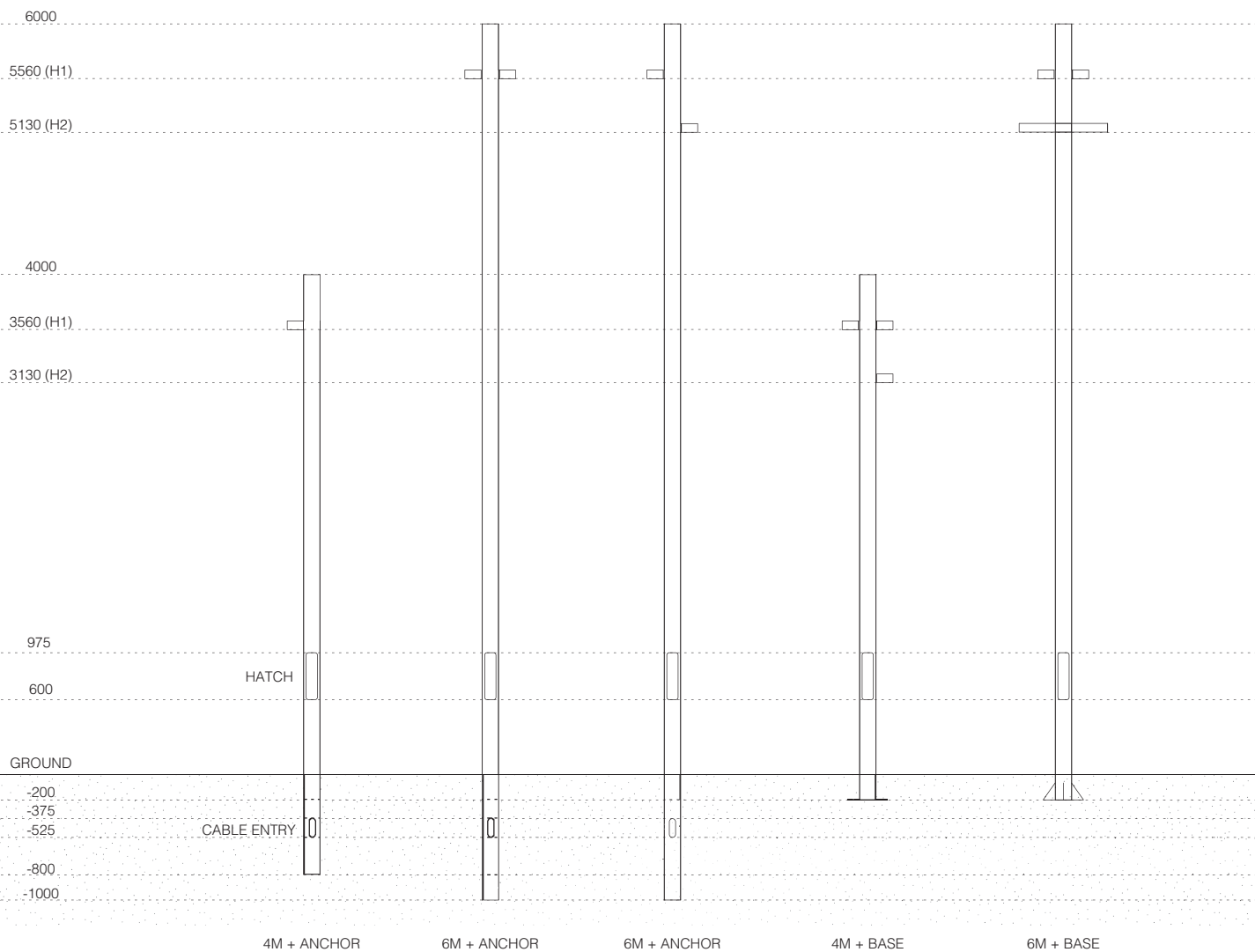
Can be combined with Delta Light®'s unique CTRL DELTA, a user-friendly solution for easy wireless control via mobile devices.



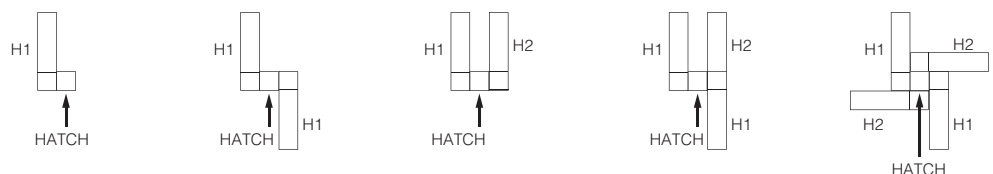
# CONFIGURATE TO YOUR NEEDS

You can shape your Polesano according to the specific needs of your project. The pole comes in 2 standard heights, either 4 or 6 meters high. Both heights can be combined with one, two, three or four luminaires. The luminaires can be any mix of the spot, flood, medium or street optics, or a set of the same optics - depending on the specific illumination requirements of its landscape. Besides the height of the pole and the selection of luminaire optics, you can also opt for either anchored installation or with a base.

# PRECISE OPTICS



HEAD COMBINATIONS ( TOPVIEW ) :  
(POSSIBLE WITH 4 TYPES OF POLE)







FULL INFO TECHNICAL CHAPTER

## ACCESSORIES

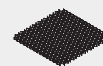


**HONEYCOMB S105** ◇  
**431 03 01** ◇  
 ◇ = B

105 x 105



**LINEAR SPREAD LENS S105** 105 x 105  
**431 03 02**

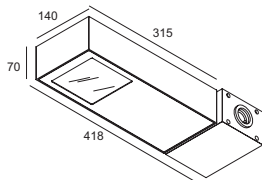


Graduated scale with 5° steps on both horizontal and vertical axis for better alignment of luminaires.





POLESANO



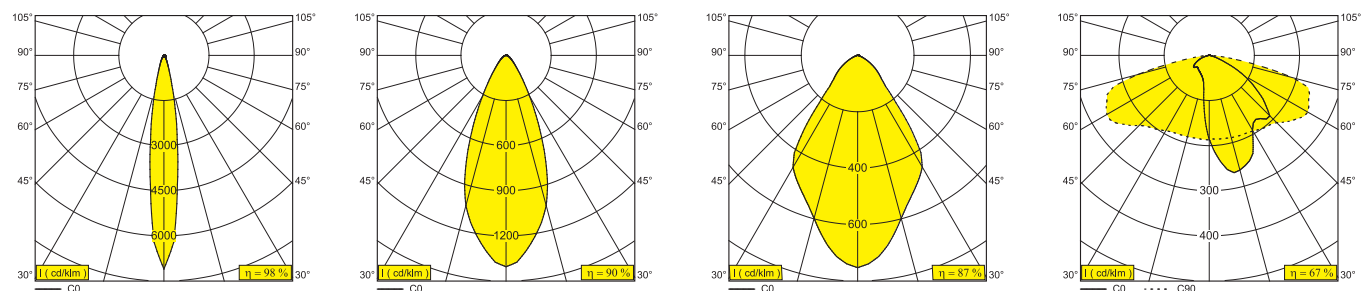
TYPE		LUMEN PACKAGE		CRI		COLOUR TEMPERATURE		LIGHT DISTRIBUTION		FINISH
43	TYPE	lm		CRI		K		°		◇
43	1 ADJUSTABLE	1	5214lm / 50W	7	CRI > 70 (ON REQUEST)	3	3000K	1	SPOT	N-B
				8	CRI > 80	4	4000K	2	MEDIUM	A-B
								3	FLOOD	
								4	STREET LIGHT	

120-277V / 50-60Hz

CE 4.6 IP66

DESIGN BY DELTA LIGHT® & DEAN SKIRA

PHOTOMETRICS





FULL INFO TECHNICAL CHAPTER

## OPTIONS

### INSTALLATION



**FUSE BOX**  
431 99 01

280 x 71 x 80



**IP54 JUNCTION BOX**  
431 99 02

108 x 65 x 28



**IP68 CONNECTOR 3P**  
216 12 02

Ø 23 x 68



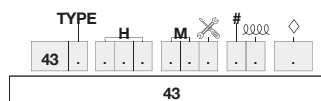
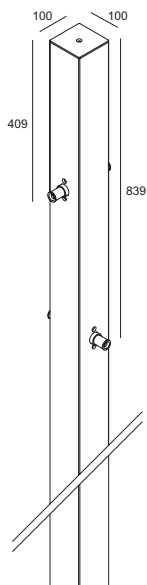
**PLATE 11**  
229 02 11

270 x 270 x 647





POLESANO POLE



120-277V / 50-60Hz  
INCL. 1 x CABLE H05 RN-F 2 x 1mm<sup>2</sup> / LUMINAIRE

CE 4,4 /m IP54

OPTIONS

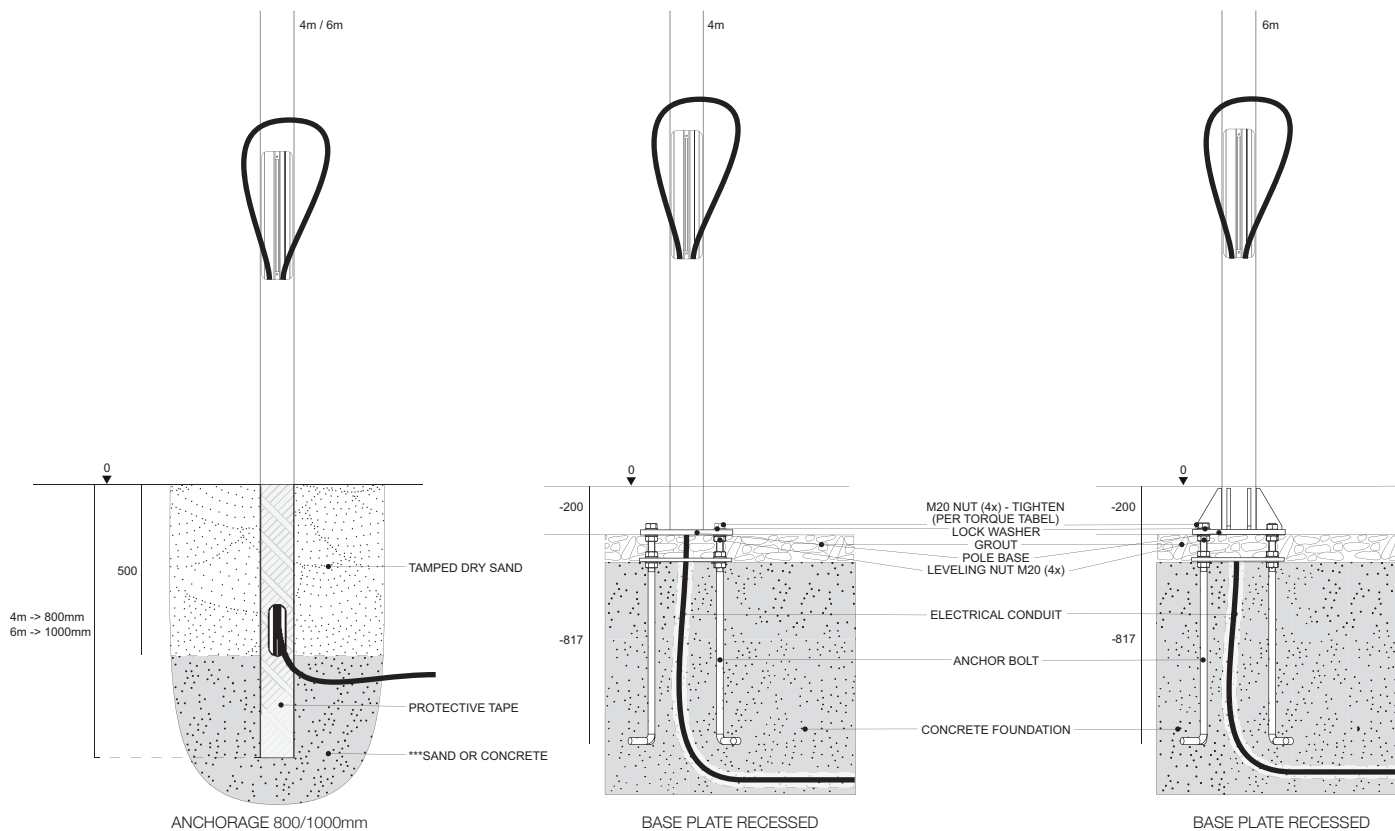
- FUSE BOX
- IP54 JUNCTION BOX
- IP68 CONNECTION KIT
- PLATE 11 (ONLY FOR VERSION WITH BASE PLATE)

ALL ELECTRICAL CONNECTION NEED TO COMPLY WITH IP53 REGULATIONS

\* ON REQUEST

TYPE		HEIGHT		MOUNTING TYPE		SERVICE		# LUMINAIRE		WIRING		FINISH	
TYPE		H		M		✂		#		0000		◇	
1	POLE	400	4000mm	11	ANCHORAGE 800mm	1	1 HATCH	1	1 LUMINAIRE	1	0	NO WIRING*	N
				22	BASE PLATE RECESSED			21	2 LUMINAIRES 1 LEVEL		1	INCL. WIRING	A
		600	6000mm	12	ANCHORAGE 1000mm			22	2 LUMINAIRES 2 LEVELS				
				32	BASE PLATE RECESSED			3	3 LUMINAIRES				
								4	4 LUMINAIRES				

DESIGN BY DELTA LIGHT® & DEAN SKIRA



# TECHNICAL

INFO



Lighting is still a fast-changing business due to the evolution in led. On the following pages we inform you on some typical characteristics of led and show you the possibilities on how to connect, switch and dim power supplies in a correct way. Further in this chapter you can find specific technical information on options, requirements and accessories:

**OPTIONS**

Depending on the material in which the luminaire will be installed, options can be used for the installation of a luminaire but are not necessary.

**REQUIREMENTS**

Needed for a proper installation of the luminaire.

**ACCESSORIES**

To modify the beam of the luminaire.

# CTRL DELTA WIRELESS CONTROL

Delta Light® introduces **CTRL DELTA**, enabling you to control and manage a selection of LED luminaires via mobile devices (Apple or Android). In essence, all dimmable luminaires can be wireless controlled, as long as the required components are either integrated or installed externally.

Throughout Lighting Bible 12®, the symbols below show if wireless control is possible with the luminaire in question.

**CTRL DELTA IN**  
Wireless control is standard and the luminaire has the required component integrated.

**CTRL DELTA R**  
Luminaire can be wireless controlled, but requires an external component. In order to ensure the best interaction, this component needs to be installed nearby the luminaire. Installation options need to be checked according to the nature of the luminaire and the installation possibilities.

**CTRL DELTA C**  
Wireless control for this particular luminaire is on demand and needs to be checked by Delta Light®.

**Easy to install.** You don't need any new wiring, switches, devices or networks. Plug in the lighting fixture and pair it with your smartphone or tablet. No other configurations needed.

**Easy to use.** You can control your lights with an intuitive and visual user interface on your smartphone or tablet.

**Easy to enjoy.** With a tap on your smartphone you can set the ambience. With the Casambi App you can control your luminaires individual or in groups.

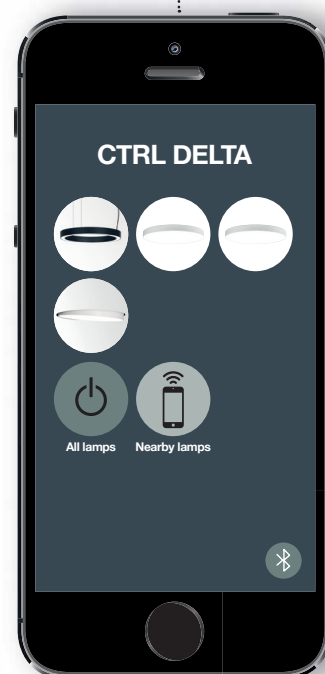
#### How to in 5 easy steps

1. Order your desired CTRL DELTA unit (not standard included with luminaire)
2. Install the CTRL DELTA unit
3. Download the Casambi App in the App or Play Store.
4. Find your CTRL DELTA unit in the Casambi app, using Bluetooth.
5. Take a picture of your room and place the light controls upon the related pictures. Now you can visually manage your luminaires directly through the picture.

For more information and technical info please go to [www.deltalight.com/CTRLDELTA](http://www.deltalight.com/CTRLDELTA)



CTRL DELTA IDENTITY KIT	
RF TECHNOLOGY	
GATEWAY	NO
MOBILE PLATFORM	
APPLE HOME	COMPATIBLE PENDING
WALL SWITCH	WIRELESS SWITCH PUSH BUTTON INTERFACE
NODES PER NETWORK	128 (IN & OUT)
iBEACON PROXIMITY	YES
AVAILABLE HARDWARE	1-10V DALI FE DIMMING 4 CHANNEL FLEX INTERFACE



## CTRL DELTA TRANSMITTER



### WIRELESS SWITCH 300 90 312 ◊

◊ = B / W  
BATTERY POWERED / 5 YEAR LIFETIME  
4 FUNCTIONS

CE 0,1 IP20



### WIRELESS PUSH BUTTON INTERFACE 300 90 009

BATTERY POWERED / 5 YEAR LIFETIME  
4 FUNCTIONS BY EXTERNAL PUSH BUTTON  
TYPE OF FUNCTION SET BY CTRL DELTA

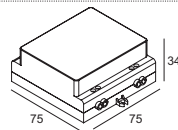
CE 0,1 IP20



### WIRELESS CONTROL DIM8 300 90 004 ED8

220-240V / 0,6A

CE 0,1 IP20



### WIRELESS CONTROL 5A DIM1 300 90 016 ED1

100-240V / 5A

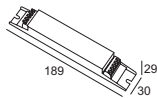
CE 0,1 IP20



### WIRELESS CONTROL DIM5 300 90 004 ED5

220-240V / 0,6A

CE 0,1 IP20



### DALI REPEATER 300 90 137

MAX. 64 DALI DEVICES  
MAX. DISTANCE 300m

CE 0,1 IP20



### WIRELESS CONTROL 4 CHANNEL WHITE 300 90 005

12/24V-DC / 4 x 4A

CE 0,1 IP20

### WIRELESS CONTROL 2 CHANNEL TUNABLE WHITE 300 90 006

12/24V-DC / 2 x 4A

CE 0,1 IP20

### WIRELESS CONTROL RGB 300 90 007

12/24V-DC / 3 x 4A

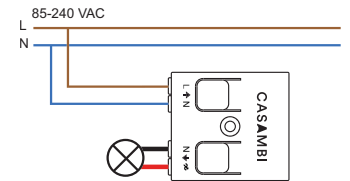
CE 0,1 IP20

### WIRELESS CONTROL RGBW 300 90 008

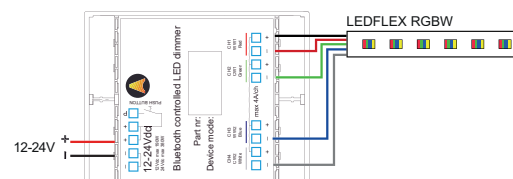
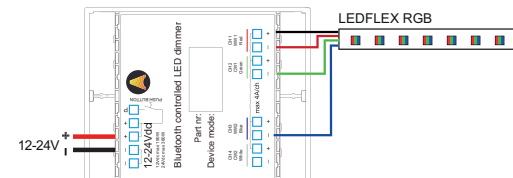
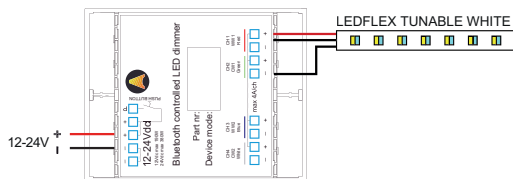
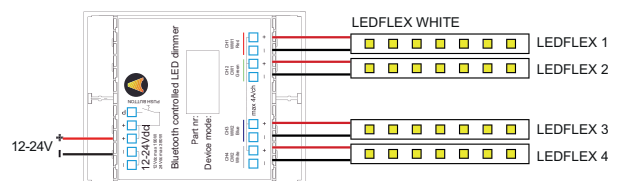
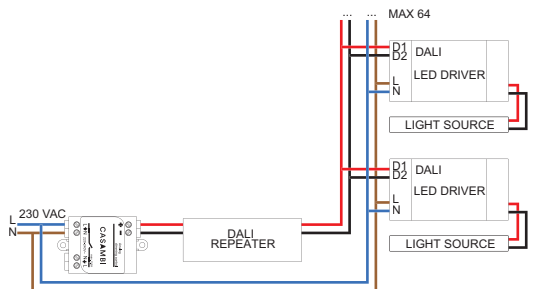
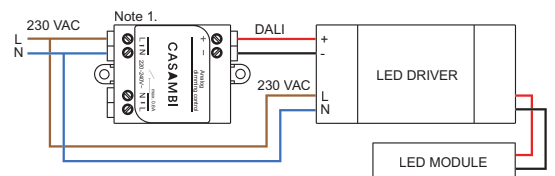
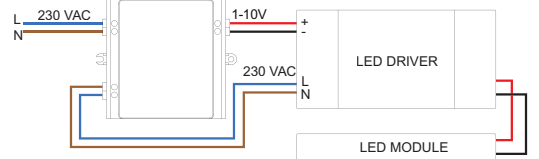
12/24V-DC / 4 x 4A

CE 0,1 IP20

## CTRL DELTA RECEIVER

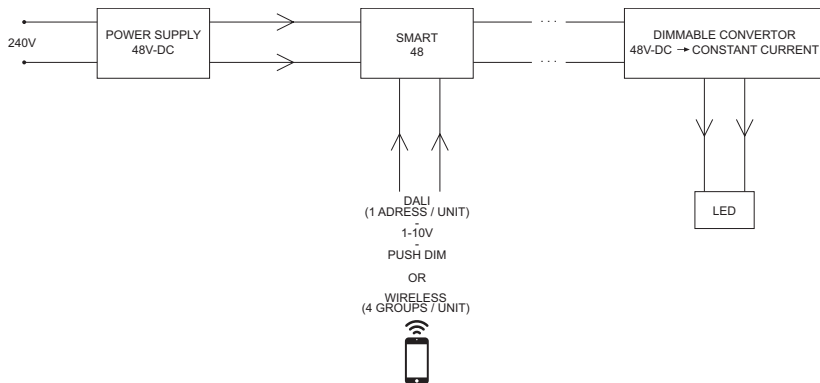


MAINS VOLTAGE E27/GU10 max.150W  
LOW VOLTAGE + ELECTRONIC TRANSFO max.50W  
LED POWER SUPPLY + LED max.50W





# SMART 48

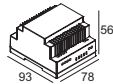

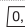


New in Lighting Bible 12 is the possibility to dim 48V luminaires or profiles, thanks to Smart 48. It collects the power from the 48V power supply and combines it with a DALI, 1-10V or Touch Dim input and sends it to the 48V converter in the luminaire. With the Dimmable Modulator 48V-DC DIM9, dimming can be done by only using 2 wires for both power and dimming. Or dimming can be done wireless, by choosing for the Wireless Dimmable Modulator 48V-DC.

PATENT PENDING

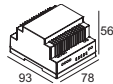

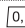


## DIMMABLE MODULATOR 48V-DC DIM9

Type	
<b>DIMMABLE MODULATOR 48V-DC</b>	<b>48V-DC / DIM9</b>
	<b>300 90 011</b>
	  IP20
Dimensions (L x W x H)	93 x 78 x 56
Input	48V-DC
Output	MODULATED 48V-DC + DIM (MAX.200W)
DIM	DIM9 (1-10V* / DALI / TOUCH DIM) <span style="float: right;">*1-10V = 1-100% LIGHT / 0V = OFF</span>

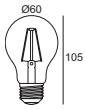


## WIRELESS DIMMABLE MODULATOR 48V-DC

Type	
<b>WIRELESS DIMMABLE MODULATOR 48V-DC</b>	<b>48V-DC / WIRELESS DIMMING</b>
	<b>300 90 012</b>
	  IP20
Dimensions (L x W x H)	93 x 78 x 56
Input	48V-DC
Output	MODULATED 48V-DC + DIM (MAX.200W)
DIM	WIRELESS DIMMING

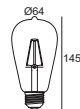
# LAMPS

## LED SOLUTION - LED FILAMENT



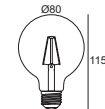
**LED FILAMENT 60 E27 6W 2700K**  
**309 109 00 25**  
 INCL.FILAMENT LED / 2700K ● / CRI>80  
 TOTAL POWER 6W / 670lm  
 EQUIVALENT OF 53W INCANDESCENT  
 NON DIMMABLE  
 E27Ls / 220-240V / 50-60Hz

CE 0,1 IP20



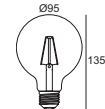
**LED FILAMENT T64 E27 8W 2700K**  
**309 109 01 27**  
 INCL.FILAMENT LED / 2700K ● / CRI>80  
 TOTAL POWER 8W / 870lm  
 EQUIVALENT OF 60W INCANDESCENT  
 NON DIMMABLE  
 E27Ls / 220-240V / 50-60Hz

CE 0,1 IP20



**LED FILAMENT GL80 E27 8W 2700K**  
**309 109 02 27**  
 INCL.FILAMENT LED / 2700K ● / CRI>80  
 TOTAL POWER 8W / 870lm  
 EQUIVALENT OF 60W INCANDESCENT  
 NON DIMMABLE  
 E27Ls / 220-240V / 50-60Hz

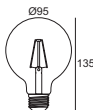
CE 0,1 IP20



**LED FILAMENT GL95 E27 8W 2700K**  
**309 109 03 27**  
 INCL.FILAMENT LED / 2700K ● / CRI>80  
 TOTAL POWER 8W / 950lm  
 EQUIVALENT OF 60W INCANDESCENT  
 NON DIMMABLE  
 E27Ls / 220-240V / 50-60Hz

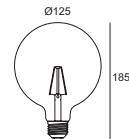
CE 0,1 IP20

## LED SOLUTION - LED FILAMENT



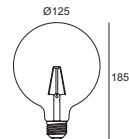
**LED FILAMENT GL95 E27 8W 2700K - GOLD**  
**309 109 04 27**  
 INCL.FILAMENT LED / 2700K ● / CRI>80  
 TOTAL POWER 8W / 800lm  
 EQUIVALENT OF 60W INCANDESCENT  
 NON DIMMABLE  
 E27Ls / 120-240V / 50-60Hz

CE 0,1 IP20



**LED FILAMENT GL125 E27 8W 2700K**  
**309 109 06 27**  
 INCL.FILAMENT LED / 2700K ● / CRI>80  
 TOTAL POWER 8W / 800lm  
 EQUIVALENT OF 60W INCANDESCENT  
 NON DIMMABLE  
 E27Ls / 120-240V / 50-60Hz

CE 0,1 IP20



**LED FILAMENT GL125 E27 8W 2700K - GOLD**  
**309 109 05 27**  
 INCL.FILAMENT LED / 2700K ● / CRI>80  
 TOTAL POWER 8W / 800lm  
 EQUIVALENT OF 60W INCANDESCENT  
 NON DIMMABLE  
 E27Ls / 120-240V / 50-60Hz

CE 0,1 IP20

## LED SOLUTION - HALOLED



**HALOLED Hi - 40° (5,4W) WW**  
**309 107 38 32**  
 INCL.1 x LED / 2700K ●  
 INCL.1 x LENS 40°  
 TOTAL POWER 5,4W / 402lm  
 GU10 / 220-240V / 50-60Hz  
 MAINS DIMMING (FE)

CE 0,1 IP20



**HALOLED Hi - 36° (5,5W) WW**  
**309 107 38 23**  
 INCL.1 x LED / 3000K ●  
 INCL.1 x LENS 36°  
 TOTAL POWER 5,5W / 375lm  
 GU10 / 220-240V / 50-60Hz

CE 0,1 IP20



**HALOLED Hi - 36° (7,5W) WW**  
**309 107 38 13**  
 INCL.1 x LED / 3000K ●  
 INCL.1 x LENS 36°  
 TOTAL POWER 7,5W / 435lm  
 GU10 / 220-240V / 50-60Hz

CE 0,1 IP20

# LED

CRI>90

## LEDFLEX 5M



**LEDFLEX IN 940 5m**  
300 92 52 94  
70 x SMD LED/m - 4000K

**LEDFLEX IN 930 5m**  
300 92 52 93  
70 x SMD LED/m - 3000K

**LEDFLEX IN 927 5m**  
300 92 52 92  
70 x SMD LED/m - 2700K

L : 5m / DIVIDABLE PER 100mm  
5,1W/m\* - 650lm/m  
24V-DC  
INCL.20 MOUNTING BRACKETS  
EXCL.LED POWER SUPPLY 24V-DC

CE [0,2] IP20

### OPTIONS

LEDFLEX IN CONNECTION SET  
LEDFLEX IN SUPPLY CABLE SET  
LEDFLEX IN CONNECTION CLIP SET



**LEDFLEX OUT 940 5m**  
300 92 62 94  
70 x SMD LED/m - 4000K

**LEDFLEX OUT 930 5m**  
300 92 62 93  
70 x SMD LED/m - 3000K

**LEDFLEX OUT 927 5m**  
300 92 62 92  
70 x SMD LED/m - 2700K

L : 5m / DIVIDABLE PER 100mm  
5,1W/m\* - 650lm/m  
24V-DC  
INCL.20 MOUNTING BRACKETS  
INCL.8 ENDCAPS  
EXCL.LED POWER SUPPLY 24V-DC

CE [0,3] IP65

## LEDFLEX FP 5M



**LEDFLEX IN FP 940 5m**  
300 92 53 94  
70 x SMD LED/m - 4000K

**LEDFLEX IN FP 930 5m**  
300 92 53 93  
70 x SMD LED/m - 3000K

**LEDFLEX IN FP 927 5m**  
300 92 53 92  
70 x SMD LED/m - 2700K

L : 5m / DIVIDABLE PER 100mm  
15,1W/m\* - 1400lm/m  
24V-DC  
INCL.20 MOUNTING BRACKETS  
EXCL.LED POWER SUPPLY 24V-DC

CE [0,2] IP20

### OPTIONS

LEDFLEX IN CONNECTION SET  
LEDFLEX IN SUPPLY CABLE SET  
LEDFLEX IN CONNECTION CLIP SET



**LEDFLEX OUT FP 940 5m**  
300 92 63 94  
70 x SMD LED/m - 4000K

**LEDFLEX OUT FP 930 5m**  
300 92 63 93  
70 x SMD LED/m - 3000K

**LEDFLEX OUT FP 927 5m**  
300 92 63 92  
70 x SMD LED/m - 2700K

L : 5m / DIVIDABLE PER 100mm  
15,1W/m\* - 1400lm/m  
24V-DC  
INCL.20 MOUNTING BRACKETS  
INCL.8 ENDCAPS  
EXCL.LED POWER SUPPLY 24V-DC

CE [0,3] IP65

## LEDFLEX HP 5M



**LEDFLEX IN HP 940 5m**  
300 92 54 94  
140 x SMD LED/m - 4000K

**LEDFLEX IN HP 930 5m**  
300 92 54 93  
140 x SMD LED/m - 3000K

**LEDFLEX IN HP 927 5m**  
300 92 54 92  
140 x SMD LED/m - 2700K

L : 5m / DIVIDABLE PER 50mm  
21,6W/m\* - 2100lm/m  
24V-DC  
INCL.20 MOUNTING BRACKETS  
EXCL.LED POWER SUPPLY 24V-DC

CE [0,2] IP20

## LEDFLEX TW 5M



**LEDFLEX IN TW 2740 5m**  
300 92 55 2740  
180 x DUAL DICE IN ONE SMD LED/m  
L : 5m / DIVIDABLE PER 33,3mm  
2700K - 4000K / 14,4W/m\* / 1350lm/m  
COMMON PLUS  
24V-DC  
INCL.20 MOUNTING BRACKETS  
EXCL.LED POWER SUPPLY 24V-DC

CE [0,2] IP20

\* +/- 5%

**LED FLEX RGB 5M**



**LED FLEX IN RGB 5m**  
**300 92 52 33**  
 30 x SMD LED/m - RGB  
 L : 5m / DIVIDABLE PER 167mm  
 8W/m\*  
 24V-DC  
 INCL.20 MOUNTING BRACKETS  
 EXCL.LED POWER SUPPLY 24V-DC

CE 0,2 IP20

**OPTIONS**

- LED FLEX IN RGB CONNECTION SET
- LED FLEX IN RGB SUPPLY CABLE SET
- LED FLEX IN RGB CONNECTION CLIP SET



**LED FLEX OUT RGB 5m**  
**300 92 62 33**  
 30 x SMD LED/m - RGB  
 L : 5m / DIVIDABLE PER 167mm  
 8W/m\*  
 24V-DC  
 INCL.20 MOUNTING BRACKETS  
 INCL.8 ENDCAPS  
 EXCL.LED POWER SUPPLY 24V-DC

CE 0,3 IP65

**LED FLEX RGBW 5M**



**LED FLEX IN RGBW 5m**  
**300 92 523 83**  
 60 x SMD LED/m - RGB - 3000K  
 L : 5m / DIVIDABLE PER 100mm  
 16,8W/m\*  
 24V-DC  
 INCL.20 MOUNTING BRACKETS  
 EXCL.LED POWER SUPPLY 24V-DC

CE 0,2 IP20

**OPTIONS LED FLEX**

**LED FLEX IN / FP**

		<p><b>LED FLEX IN SUPPLY CABLE SET</b>  <b>300 92 93 07</b>                  2 x 0.35mm<sup>2</sup> / 150mm                  SET OF 10 pcs                  CE 0,1</p>
		<p><b>LED FLEX IN CONNECTION SET</b>  <b>300 92 93 08</b>                  2 x 0.35mm<sup>2</sup> / 150mm                  SET OF 10 pcs                  CE 0,1</p>
		<p><b>LED FLEX IN CONNECTION CLIP SET</b>  <b>300 92 93 09</b>                  SET OF 10 pcs                  CE 0,1</p>

**LED FLEX IN RGB**

		<p><b>LED FLEX IN RGB SUPPLY CABLE SET</b>  <b>300 92 93 04</b>                  4 x 0.35mm<sup>2</sup> / 150mm                  SET OF 10 pcs                  CE 0,1</p>
		<p><b>LED FLEX IN RGB CONNECTION SET</b>  <b>300 92 93 05</b>                  4 x 0.35mm<sup>2</sup> / 150mm                  SET OF 10 pcs                  CE 0,1</p>
		<p><b>LED FLEX IN RGB CONNECTION CLIP SET</b>  <b>300 92 93 06</b>                  SET OF 10 pcs                  CE 0,1</p>

# LED

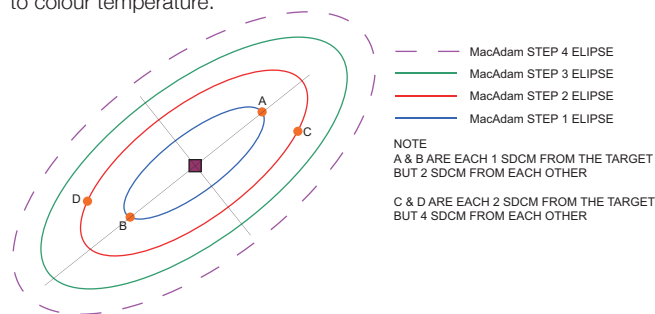
At Delta Light®, we follow the evolution in LED at close range. What appears to be similar quality at first sight, can be totally different when looking at some of the underlying characteristics. These characteristics, like binning, risk factor, thermal management, degradation in luminous flux are part of the DNA of the Light Emitting Diode. These aspects determine the lifespan and the quality of the LED. For this matter, Delta Light® assures it only selects qualitative LEDs from qualitative manufacturers. High quality design cannot be made without high quality components.

## COLOUR BINNING TYPICAL VALUES ON PAG TEC 14-15

No 2 LEDs are the same. When LEDs are produced, they vary in light output and in colour temperature, even when they are produced in the same batch. These differences may be small, but they do influence the quality of the LED. That is why manufacturers sort the LEDs, according to these performances, in different 'bins'. By reducing the number of bins to choose from, quality increases as performances are closer to each other.

## MACADAM STEP TYPICAL VALUES ON PAG TEC 14-15

The differences in colour temperature between LEDs can be measured by looking at the MacAdam ellipses in Standard Deviation of Colour Matching (SDCM), according to the CIE 1931 Standard. This system looks at the ability of the human eye to perceive colour differences and ranks it on a scale from 0 to 10. Within 1 MacAdam ellipse a colour difference is not noticeable to the human eye under any condition. From 1 to 3 ellipses it is very difficult for the human eye to notice any difference in colour, meaning that up to 3 MacAdam ellipses all LEDs are very homogeneous when it comes to colour temperature.



## RISK FACTOR TYPICAL VALUES ON PAG TEC 14-15

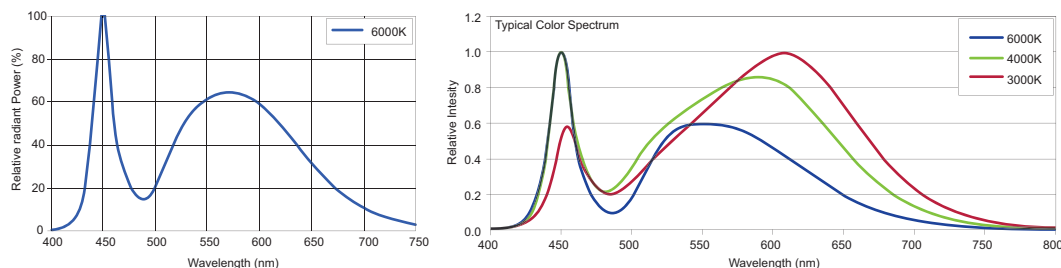
The European standard for photo biological safety EN 62471 describes a measuring method to determine whether a lamp or luminaire carries a risk of eye and skin damage. LED light contains almost no light from the ultraviolet or infrared spectrum, and therefore is not dangerous to the skin. It does however provide a high peak in the blue spectrum which, when looking into a bright light source (for a long period of time), may result in irreversible damage to the retina, the so-called the Blue Light Hazard.

Whether the risk is real, depends on several factors: luminance of the LED, colour temperature, but also light distribution and distance to the luminaire play an important role. When a LED is placed in a luminaire, it is located behind a lens, reflector or diffuser, thus levelling off the luminance.

To allow users to estimate the risk, the standard EN 62471 determines that lamps and luminaires must be divided into four risk groups:

- Risk group 0 ("exempt" group): this means that there is no danger, even with unlimited viewing of the light source.
- Risk group 1: The risk is limited, no more than 10.000 seconds of viewing is allowed (just under 3 hours).
- Risk group 2: up to 100 seconds of viewing is allowed.
- Risk group 3: up to 0.25 seconds of viewing is allowed. This is shorter than the natural aversion reflex of the eye.

For light sources of risk group 3, protective measures are always needed. For the other groups, it depends on the application. If the light sources belong in group 2 or 3, then this must be indicated.

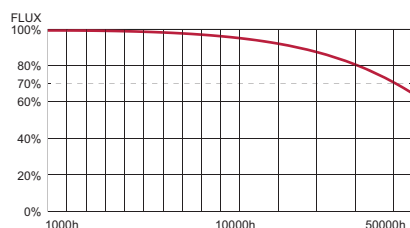


## LED LIFESPAN LM-80 – TM-21 TYPICAL VALUES ON PAG TEC 14-15

Conventional light sources mostly burn out before a serious loss of light output is noticeable. As the lifetime of LEDs exceeds the lifetime of conventional light sources, light output degrades over time before burning out. This degradation in luminous flux can be measured according to the L value and the operating period of time:

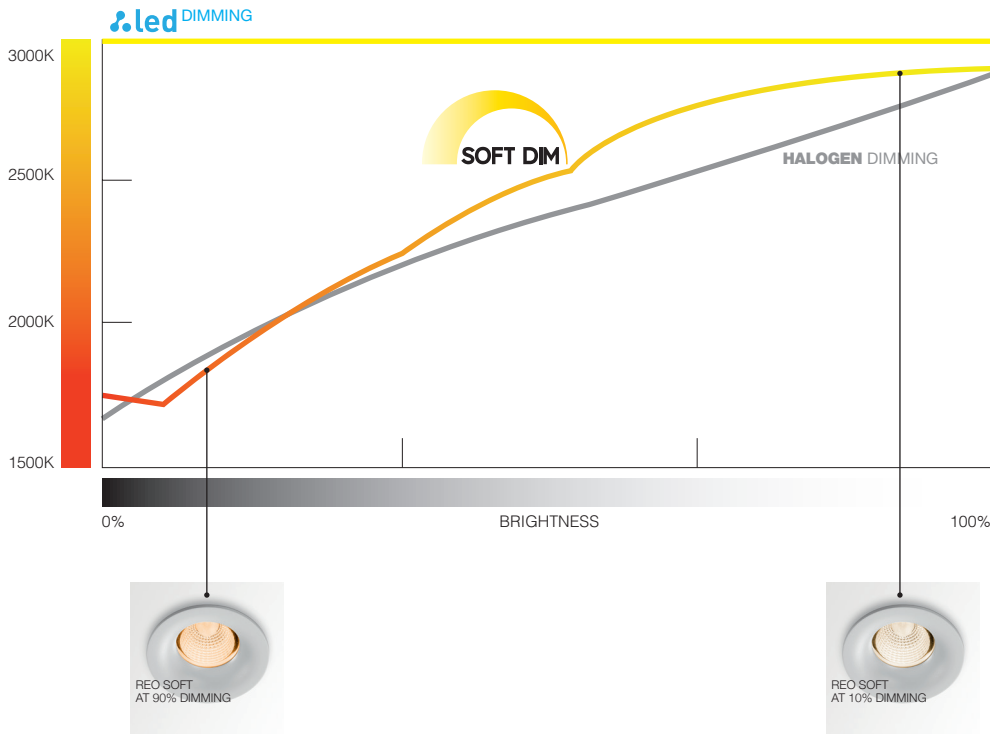
- L value shows the percentage of luminous flux regarding the initial luminous flux over a period of time.
- The operating period of time, expressed in hours.

Example:  $L_{70}$  60.000h means that after 60.000 hours the luminous flux will be at least 70% of the original luminous flux.



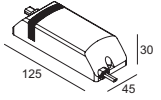

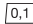

**SOFT DIM**

**DIMMING CURVE**

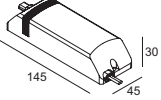

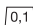



2700-1800K  
CRI > 80 / 850lm (10W)  
REFLECTOR 40°

**LED POWER SUPPLY 650MA DIM8**

Type	
<b>LED POWER SUPPLY 650mA DIM8</b>	
	<b>300 90 915 ED8</b>
	  IP20
Dimensions (L x W x H)	125 x 45 x 35
Input	220-240V / 50-60Hz
Output	650mA / 10W / 12-16V-DC
	
DIM	Falling Edge Dimming

**LED POWER SUPPLY 650MA DIM5**

Type	
<b>LED POWER SUPPLY 650mA DIM5</b>	
	<b>300 90 915 ED5</b>
	  IP20
Dimensions (L x W x H)	145 x 45 x 35
Input	220-240V / 50-60Hz
Output	650mA / 10W / 12-16V-DC
	
DIM	DALI Dimming

# LED SPECIFICATIONS

**CRI 80**

CRI	LED	POWER	2700K ●	3000K ●	4000K ●	TYPICAL VALUES		LIFETIME <sup>1</sup>		RISK GROUP <sup>1</sup>	SDCM <sup>1</sup>	EMERGENCY <sup>2</sup>	
			LUMINOUS FLUX @ 70°	LUMINOUS FLUX @ 70°	LUMINOUS FLUX @ 70°	FORW. CUR.	FORW. VOLT.	L <sub>xx</sub>	HOURS			BLF %	
<b>CRI &gt; 80</b>													
CRI > 80		[A]	1,1W	115lm - 117lm/W	120lm - 122lm/W	130lm - 133lm/W	350mA	3,1V*	L <sub>90</sub>	>36000h	-	3	-
			1,6W	160lm - 113lm/W	168lm - 117lm/W	181lm - 127lm/W	500mA	3,2V*					-
			2,3W	214lm - 105lm/W	223lm - 110lm/W	242lm - 119lm/W	700mA	3,3V*					-
		[B]	3,3W	294lm - 90lm/W	307lm - 94lm/W	ON REQUEST	1050mA	3,1V*	L <sub>90</sub>	>60500h	-	3	-
		[C]	4,1W	425lm - 103lm/W	425lm - 103lm/W	ON REQUEST	350mA	11,6V*	L <sub>90</sub>	>45500h	-	2	100 %
			6W	558lm - 94lm/W	558lm - 94lm/W	ON REQUEST	500mA	11,9V*					72 %
		[D]	6,4W	647lm - 101lm/W	647lm - 101lm/W	ON REQUEST	350mA	18,3V*	L <sub>90</sub> L <sub>80</sub>	>30000h >60500h	RG1	2	100 %
			9,5W	842lm - 89lm/W	842lm - 89lm/W	ON REQUEST	500mA	19,1V*					71 %
		[E]	4,1W	420lm - 106lm/W	420lm - 106lm/W	ON REQUEST	350mA	11,8V*	L <sub>90</sub> L <sub>80</sub>	>37300h >51400h	RG2 TRESHOLD 0,6m	2	100 %
			6W	570lm - 98lm/W	570lm - 98lm/W	ON REQUEST	500mA	12,1V*					75 %
			8,7W	723lm - 87lm/W	723lm - 87lm/W	ON REQUEST	700mA	12,4V*					54 %
		[F]	-										
		[G]	-										
		[H]	6W	774lm - 136lm/W	803lm - 142lm/W	838lm - 148lm/W	300mA	20V*	L <sub>70</sub>	>50000h	RG1	2	100 %
7,1W			895lm - 134lm/W	928lm - 139lm/W	969lm - 145lm/W	350mA	20,2V*	97 %					
10,4W			1243lm - 127lm/W	1290lm - 132lm/W	1347lm - 137lm/W	500mA	20,7V*	68 %					
15W			1673lm - 118lm/W	1735lm - 122lm/W	1811lm - 127lm/W	700mA	21,4V*	48 %					
	[I]	-											
	[J]	16,8W	2308lm - 141lm/W	2404lm - 147lm/W	2500lm - 153lm/W	500mA	33,7V*	L <sub>70</sub>	>50000h	RG1	2	36 %	
		20,5W	2753lm - 138lm/W	2868lm - 144lm/W	2983lm - 150lm/W	600mA	34,2V*					30 %	
		24,3W	3183lm - 135lm/W	3316lm - 141lm/W	3448lm - 146lm/W	700mA	34,7V*					25 %	
		30W	3788lm - 130lm/W	3946lm - 136lm/W	4103lm - 141lm/W	850mA	35,3V*					20 %	
		37,9W	4603lm - 125lm/W	4796lm - 130lm/W	4986lm - 136lm/W	1050mA	36,1V*					16 %	
		43,9W	5188lm - 122lm/W	5405lm - 127lm/W	5620lm - 132lm/W	1200mA	36,6V*					14 %	
	[K]	-											
	[L]	-											

\* +/- 8%

<sup>1</sup> INFO PAG TEC 12

<sup>2</sup> INFO PAG TEC 23

All the technical parameters for LED-apply to the entire module. In view of the complex manufacturing process for light emitting diodes (LED), the typical values given in this **Lighting Bible® 12** are merely statistical values that do not necessarily correspond to the actual technical parameters of an individual product; individual products may vary from the typical values. For most accurate info, please consult: [www.deltalight.com/ledspecs.pdf](http://www.deltalight.com/ledspecs.pdf)

All lumen values in this catalogue are related to the Led units. For more info on the lumen values of the products please visit our website [www.deltalight.com](http://www.deltalight.com)

CRI 90 / 95

CRI	LED	POWER	2700K ●	3000K ●	4000K ●	TYPICAL VALUES		LIFETIME <sup>1</sup>		RISK GROUP <sup>1</sup>	SDCM <sup>1</sup>	EMERGENCY <sup>2</sup>	
			LUMINOUS FLUX @ 70°	LUMINOUS FLUX @ 70°	LUMINOUS FLUX @ 70°	FORW. CUR.	FORW. VOLT.	L <sub>xx</sub>	HOURS			BLF %	
CRI > 90													
		[A]	1,1W	NOT AVAILABLE									
			1,6W	NOT AVAILABLE									
			2,3W	NOT AVAILABLE									
		[B]	3,3W	ON REQUEST	ON REQUEST	NOT AVAILABLE	1050mA	3,1V*			-	3	-
		[C]	4,1W	NOT AVAILABLE	NOT AVAILABLE	NOT AVAILABLE	350mA	11,6V*	L <sub>90</sub>	>45500h	-	2	100 %
			6W	ON REQUEST	ON REQUEST	NOT AVAILABLE	500mA	11,9V*					72 %
		[D]	6,4W	587lm - 92lm/W	587lm - 92lm/W	NOT AVAILABLE	350mA	18,3V*	L <sub>90</sub> L <sub>80</sub>	>30000h >60500h	RG1	2	100 %
			9,5W	755lm - 79lm/W	755lm - 79lm/W	NOT AVAILABLE	500mA	19,1V*					71 %
		[E]	-										
		[F]	2W	201lm - 79lm/W	229lm - 85lm/W	NOT AVAILABLE	700mA	2,9V*	L <sub>80</sub>	>36300h	RG2 THRESHOLD 0,6m	3	-
			3,2W	280lm - 72lm/W	319lm - 77lm/W	NOT AVAILABLE	1050mA	3,0V*					-
			4,3W	274lm - 64lm/W	279lm - 69lm/W	NOT AVAILABLE	1400mA	3,1V*					-
		[G]	3W	252lm - 84lm/W	280lm - 93lm/W	NOT AVAILABLE	350mA	8,8V*	L <sub>70</sub>	>50000h	RG1	2	100 %
			7W	453lm - 69lm/W	502lm - 76lm/W	NOT AVAILABLE	700mA	9,4V*					51 %
		[H]	6W	643lm - 133lm/W	670lm - 118lm/W	717lm - 126lm/W	300mA	20,0V*	L <sub>70</sub>	>50000h	RG1	2	100 %
			7,1W	743lm - 111lm/W	774lm - 116lm/W	829lm - 124lm/W	350mA	20,2V*					97 %
			10,4W	1032lm - 105lm/W	1075lm - 110lm/W	1148lm - 117lm/W	500mA	20,7V*					68 %
			15W	1388lm - 98lm/W	1446lm - 102lm/W	1544lm - 109lm/W	700mA	21,4V*					48 %
		[I]	11,7W	1414lm - 124lm/W	1467lm - 129lm/W	NOT AVAILABLE	350mA	33,4V*	L <sub>70</sub>	>50000h	RG1	2	97 %
		[J]	16,8W	1923lm - 118lm/W	1995lm - 122lm/W	2139lm - 131lm/W	500mA	33,7V*	L <sub>70</sub>	>50000h	RG1	2	36 %
		20,5W	2295lm - 115lm/W	2380lm - 120lm/W	2553lm - 128lm/W	600mA	34,2V*	30 %					
		24,3W	2653lm - 113lm/W	2752lm - 117lm/W	2951lm - 125lm/W	700mA	34,7V*	25 %					
		30W	3157lm - 108lm/W	3275lm - 113lm/W	3512lm - 121lm/W	850mA	35,3V*	20 %					
		37,9W	3837lm - 104lm/W	3979lm - 108lm/W	4267lm - 116lm/W	1050mA	36,1V*	16 %					
		43,9W	4324lm - 101lm/W	4486lm - 105lm/W	4810lm - 113lm/W	1200mA	36,6V*	14 %					
	[K]	23,9W	2766lm - 119lm/W	2870lm - 123lm/W	3077lm - 132lm/W	700mA	34,2V*	L <sub>70</sub>	>50000h	RG1	2	25 %	
		37,2W	3992lm - 110lm/W	4142lm - 114lm/W	4441lm - 122lm/W	1050mA	35,4V*					17 %	
		43,1W	4510lm - 107lm/W	4680lm - 111lm/W	5018lm - 119lm/W	1200mA	35,9V*					14 %	
		51,1W	5155lm - 103lm/W	5349lm - 107lm/W	5735lm - 115lm/W	1400mA	36,5V*					12 %	
	[L]	11W	965lm - 88lm/W	965lm - 88lm/W	-	500mA	22V*	L <sub>90</sub>	>36000h	RG1	2	58 %	
CRI > 95													
	[M]	10,9W	700lm - 64lm/W	700lm - 64lm/W	700lm - 64lm/W	500mA	21V*	L <sub>90</sub>	>36000h	RG1	2	62 %	
		13,4W	832lm - 52lm/W	832lm - 52lm/W	832lm - 52lm/W	600mA	22,4V*					48 %	
	[N]	10,9W	965lm - 89lm/W	965lm - 89lm/W	965lm - 89lm/W	500mA	21,7V*	L <sub>90</sub>	>36000h	RG1	2	53 %	
		13,3W	1130lm - 85lm/W	1130lm - 85lm/W	1130lm - 85lm/W	600mA	22,1V*					43 %	
	[O]	13,6W	800lm - 59lm/W	800lm - 59lm/W	800lm - 59lm/W	500mA	27,1V*	L <sub>90</sub>	>36000h	RG1	2	45 %	
		19,5W	1110lm - 57lm/W	1110lm - 57lm/W	1110lm - 57lm/W	700mA	27,8V*					30 %	
	[P]	12W	1055lm - 88lm/W	1055lm - 88lm/W	1055lm - 88lm/W	500mA	23,8V*	L <sub>90</sub>	>36000h	RG1	2	52 %	
		14,4W	1225lm - 85lm/W	1225lm - 85lm/W	1225lm - 85lm/W	600mA	24,1V*					43 %	
		17W	1400lm - 82lm/W	1400lm - 82lm/W	1400lm - 82lm/W	700mA	24,3V*					36 %	

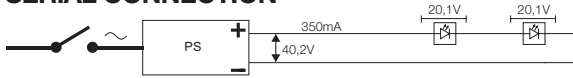


# DO'S & DON'TS

play.deltalight.com/connecteds

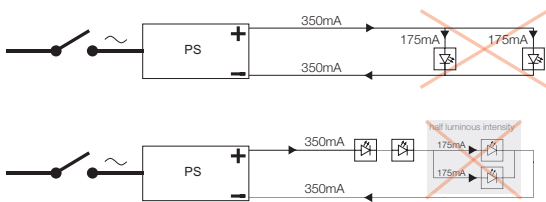
## CONNECTION

### CORRECT CONNECTION: SERIAL CONNECTION



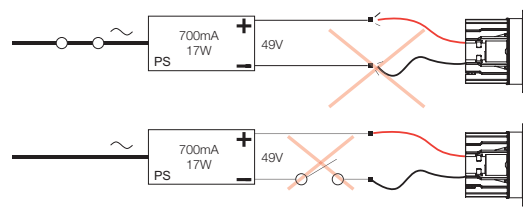
### WRONG CONNECTION: PARALLEL CONNECTION

Depending on the number of fixtures the LED modules will function at half (2 LED's), one third (3 LED's) the luminous intensity. Moreover, due to different forward voltages the current will not split in equal part.



### WRONG CONNECTION: TESTING OF LED MODULES ON SWITCHED ON POWER SUPPLY

Risk for an output voltage that exceeds the max for the LED.  
A power supply that is switched on has max output on the secondary side (eg. 49V). The LED in eg. a Reo 3030 is 7W works at 350mA and 20,1V. 49V is far too high for the Reo 3030 >> LED will be damaged.



### WRONG POWER SUPPLY:

Question:

How many Reo (7W) luminaires can be connected to power supply 300 90 914?

$7W \times 4 = 28W$  >>> max **power** of 300 90 914 = 35W >>> **OK**

$4 \times 20,1V = 80,4V$  >>> max **voltage** of 300 90 914 = 72V >>> **NOT OK**

Answer:

3 x Reo (7W) luminaires can be connected to power supply 300 90 914

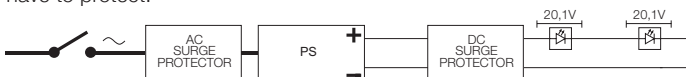
Therefore: **always consult the matrix on FOLD-OUT!**

## PROTECTION

Type					
<b>SURGE PROTECTOR</b>	<b>AC</b>	<b>AC 110-120V DIN</b>	<b>AC 230-240V DIN</b>	<b>DC 30V-DC</b>	<b>DC 75V-DC</b>
	<b>300 90 013</b>	<b>300 90 017</b>	<b>300 90 018</b>	<b>300 90 014</b>	<b>300 90 015</b>
	IP65	IP20	IP20	IP20	IP20
Dimensions (L x W x H)	50 x 48 x 30	90 x 18 x 60	90 x 18 x 60	90 x 18 x 60	90 x 18 x 60
Input	230-240V / 50-60Hz	110-120V / 50-60Hz	230-240V / 50-60Hz	30V-DC	75V-DC
Nominal Discharge Current	5 kA	2 kA	3 kA	1 kA	2 kA
Max. Discharge Current	10 kA	4 kA	5 kA	2 kA	4 kA

Electrical devices are sensitive for excessive voltage peaks.

Especially outdoor power lines are subject to direct and indirect lightning discharges. Also in industrial or semi-industrial area's the powerlines can be subject to high switching spikes. Therefore Deltalight strongly advises to use proper power line surge protection. Our AC surge protectors are to be installed on the primary side of led power supplies and the DC types on the secondary side. Both as close as possible to the device they have to protect.

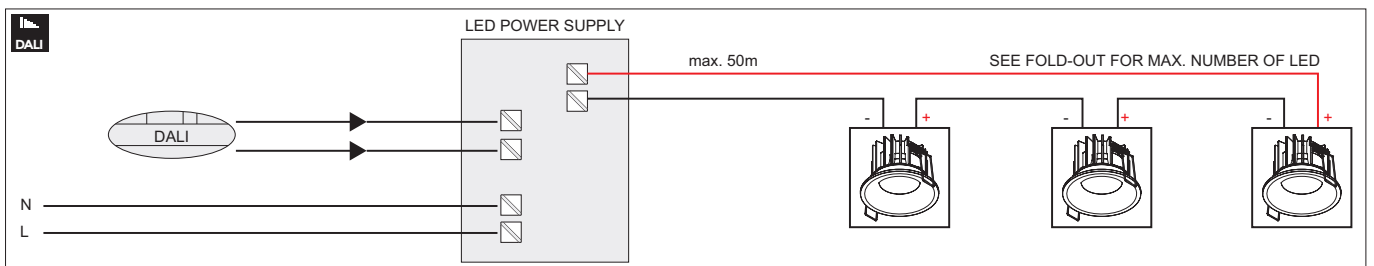
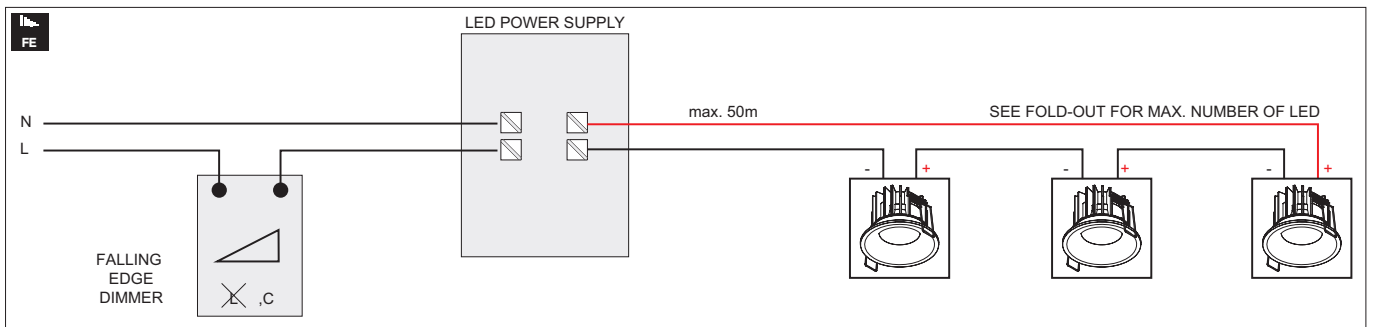
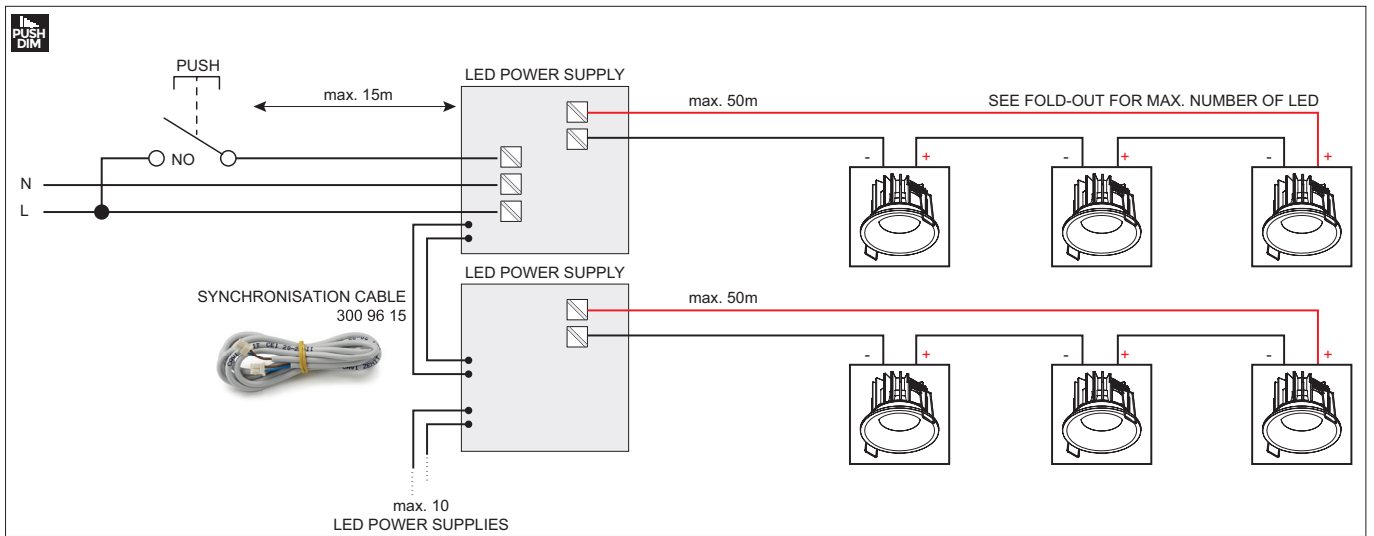
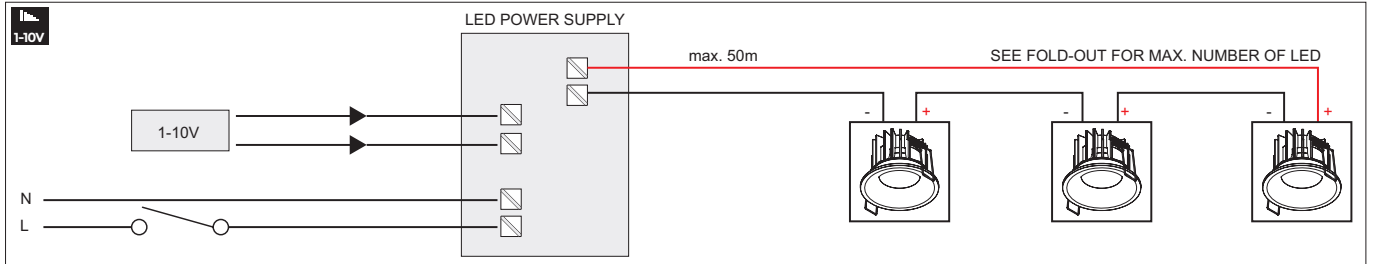


# OPTIONS CURRENT CONTROLLED

## DIMMABLE LED POWER SUPPLY - INSTALLATION SCHEME

[play.deltalight.com/dimleds](http://play.deltalight.com/dimleds)

- DIM1** 1-10V
- DIM6** SWITCH DIM
- DIM7** 1-10V + SWITCH DIM
- DIM8** FALLING EDGE DIMMING
- DIM9** 1-10V + SWITCH DIM + DALI

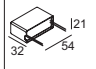
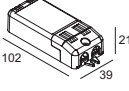
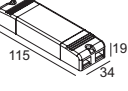
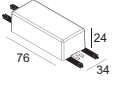
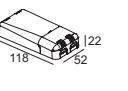







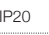


ALL DIAGRAMS ARE TYPICAL, PLEASE CHECK MAXIMUM POWER OF EACH INDIVIDUAL DEVICE FOR PRACTICAL USE.

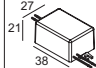
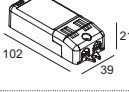
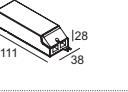
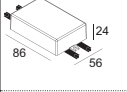
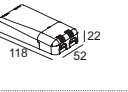





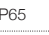


# OPTIONS

## CURRENT CONTROLLED

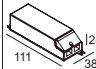
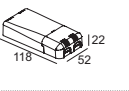
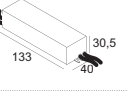





### LED POWER SUPPLY 350MA-DC

Type					
LED POWER SUPPLY...	<b>350mA / 8W</b> <b>300 90 108</b>	<b>350mA / 10W DIM8</b> <b>300 90 110</b>	<b>350mA / 15W (110-120V: 10W)</b> <b>300 90 91</b>	<b>350mA / 16W DIM8</b> <b>300 90 3112</b>	<b>350mA / 18W DIM8</b> <b>300 90 116</b>
	 IP54	  IP20	 IP20	  IP65	  IP20
Dimensions (L x W x H)	54 x 21 x 32 (⌀ min. 40)	102 x 38 x 21 (⌀ min. 45)	115 x 34 x 19 (⌀ min. 38)	76 x 34 x 24 (⌀ min. 43)	118 x 52 x 22 (⌀ min. 55)
Input	100-240V / 50-60Hz	220-240V / 50-60Hz	100-240V / 50-60Hz	100-240V / 50-60Hz	220-240V / 0/50/60Hz
Output	0-25V-DC	12-28V-DC	0-43V-DC	17-46V-DC	25-51V-DC
$\lambda$	0,6	> 0,9	0,54 (240V) - 0,64 (100V)	> 0,9	> 0,9
DIM	-	DIM8 (10-100%)	-	DIM8 (10-100%)	DIM8 (10-100%)

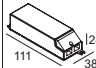

### LED POWER SUPPLY 500MA-DC

Type					
LED POWER SUPPLY...	<b>500mA / 4W</b> <b>300 90 22</b>	<b>500mA / 11W DIM8</b> <b>300 90 119</b>	<b>500mA / 20W (110V: 12W)</b> <b>300 90 92</b>	<b>500mA / 22W DIM8</b> <b>300 90 5120</b>	<b>500mA / 21W DIM8</b> <b>300 90 121</b>
	 IP65	  IP20	 IP20	  IP65	  IP20
Dimensions (L x W x H)	38 x 27 x 21 (⌀ min. 40)	102 x 38 x 21 (⌀ min. 45)	111 x 38 x 28 (⌀ min. 46)	86 x 56 x 24 (⌀ min. 61)	118 x 52 x 22 (⌀ min. 55)
Input	120-240V / 50-60Hz	220-240V / 50/60Hz	110-240V / 50-60Hz	110-240V / 0/50/60Hz	220-240V / 0/50/60Hz
Output	3-8V-DC	9-22V-DC	3,5-42V-DC	24-45V-DC	16-42V-DC
$\lambda$	< 0,5	> 0,9	0,57	> 0,9	> 0,9
DIM	-	DIM8 (10-100%)	-	DIM8 (10-100%)	DIM8 (10-100%)

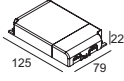

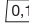

### LED POWER SUPPLY 700MA-DC

Type			
LED POWER SUPPLY...	<b>700mA / 17W (110V: 12W)</b> <b>300 90 93</b>	<b>700mA / 20W DIM8</b> <b>300 90 118</b>	<b>700mA / 36W DIM8</b> <b>300 90 123</b>
	 IP20	  IP20	  IP54
Dimensions (L x W x H)	111 x 38 x 28 (⌀ min. 46)	118 x 52 x 22 (⌀ min. 55)	133 x 40 x 30,5 (⌀ min. 50)
Input	110-240V / 50-60Hz	220-240V / 50-60Hz	220-240V / 50-60Hz
Output	3,5-26V-DC	16-28V-DC	4-52V-DC
$\lambda$	0,6	> 0,9	0,97
DIM	-	DIM8 (10-100%)	DIM8 (10-100%)

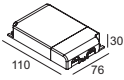

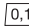

### LED POWER SUPPLY 1050MA-DC

Type	
LED POWER SUPPLY...	<b>1050mA / 22W (110V: 12W)</b> <b>300 90 148</b>
	 IP20
Dimensions (L x W x H)	111 x 38 x 28 (⌀ min. 46)
Input	110-240V / 50-60Hz
Output	24V-DC
$\lambda$	0,6
DIM	-

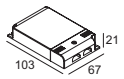

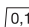

**LED POWER SUPPLY MULTI-POWER**

Type				
<b>LED POWER SUPPLY MULTI-POWER</b>	<b>300 90 914</b>			
	  IP20			
Dimensions (L x W x H)	124,5 x 79 x 22 (⌀ min. 82)			
Input	110-240V / 50-60Hz (110V: 40W)			
Output	350mA / 25W / 2-74V-DC	500mA / 35W / 2-72V-DC	700mA / 50W / 2-70V-DC	1050mA / 50W / 2-48V-DC
	> 0,9			
DIM	-			

**LED POWER SUPPLY MULTI-POWER HV**

Type				
<b>LED POWER SUPPLY MULTI-POWER HV</b>	<b>300 90 135</b>			
	  IP20			
Dimensions (L x W x H)	110 x 76 x 30 (⌀ min. 90)			
Input	220-240V / 50-60Hz			
Output	350mA / 30W / 43-85V-DC	500mA / 40W / 30-85V-DC	700mA / 60W / 25-86V-DC	1050mA / 70W / 25-67V-DC
	> 0,95			
DIM	-			

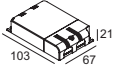

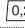

**LED POWER SUPPLY MULTI-POWER DIM1**

Type				
<b>LED POWER SUPPLY MULTI-POWER DIM1</b>	<b>300 90 64</b>			
	  IP20			
Dimensions (L x W x H)	103 x 67 x 21 (⌀ min. 70)			
Input	110-240V / 50-60Hz (110V: 15W)			
Output	350mA / 18W / 10-53V-DC	500mA / 25W / 2-50V-DC	600mA / 30W / 2-50V-DC	
	> 0,9			
DIM	1-10V			

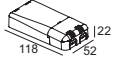

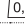

# OPTIONS

## CURRENT CONTROLLED

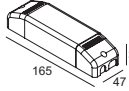

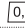

### LED POWER SUPPLY MULTI-POWER DIM5

Type			
<b>LED POWER SUPPLY MULTI-POWER DIM5</b>	<b>300 90 68</b>		
	  IP20		
Dimensions (L x W x H)	103 x 67 x 21 (⌀ min. 70)		
Input	110-240V / 50-60Hz (110V: 15W)		
Output	350mA / 15W / 5-48V-DC	500mA / 24W / 5-48V-DC	700mA / 32W / 3-46V-DC
	> 0,9		
DIM	Dali		

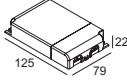

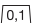

### LED POWER SUPPLY MULTI-POWER DIM5

Type			
<b>LED POWER SUPPLY MULTI-POWER DIM5</b>	<b>300 90 125</b>		
	  IP20		
Dimensions (L x W x H)	118 x 52 x 22 (⌀ min. 55)		
Input	110-240V / 50-60Hz (110V: 15W)		
Output	350mA / 15W / 2-43V-DC	500mA / 20W / 2-40V-DC	
	> 0,9		
DIM	Dali		

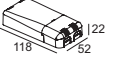

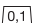

### LED POWER SUPPLY MULTI-POWER DIM6

Type			
<b>LED POWER SUPPLY MULTI-POWER DIM6</b>	<b>300 90 61</b>		
	  IP20		
Dimensions (L x W x H)	165 x 47 x 35 (⌀ min. 55)		
Input	220-240V / 50-60Hz		
Output	350mA / 17W / 2-43V-DC	500mA / 24W / 2-43V-DC	700mA / 32W / 2-36V-DC
	> 0,9		
DIM	Switch DIM / Falling edge dimming (10-100%)		



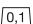

**LED POWER SUPPLY MULTI-POWER HV DIM7**

Type			
<b>LED POWER SUPPLY MULTI-POWER HV DIM7</b>			
	<b>300 90 134</b>		
	  IP20		
Dimensions (L x W x H)	125 x 79 x 22 (⌀ min. 84)		
Input	110-240V / 50-60Hz (110V: 40W)		
Output	350mA / 40W / 2-112V-DC	500mA / 50W / 2-100V-DC	700mA / 50W / 2-71V-DC
	> 0,9		
DIM	Switch DIM / 1-10V		

**LED POWER SUPPLY MULTI-POWER DIM7**

Type			
<b>LED POWER SUPPLY MULTI-POWER DIM7</b>			
	<b>300 90 124</b>		
	  IP20		
Dimensions (L x W x H)	118 x 52 x 22 (⌀ min. 55)		
Input	110-240V / 50-60Hz (110V: 15W)		
Output	350mA / 15W / 2-43V-DC	500mA / 20W / 2-43V-DC	
	> 0,9		
DIM	Switch DIM / 1-10V		

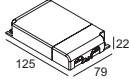

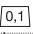
**LED POWER SUPPLY MULTI-POWER DIM7**

Type			
<b>LED POWER SUPPLY MULTI-POWER DIM7</b>			
	<b>300 90 60</b>		
	  IP20		
Dimensions (L x W x H)	103 x 67 x 21 (⌀ min. 70)		
Input	110-240V / 50-60Hz (110V: 15W)		
Output	350mA / 15W / 2-43V-DC	500mA / 22W / 2-43V-DC	700mA / 25W / 2-36V-DC
	> 0,9		
DIM	Switch DIM / 1-10V		

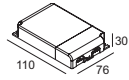

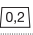
# OPTIONS

## CURRENT CONTROLLED

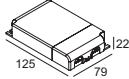

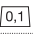
### LED POWER SUPPLY MULTI-POWER DIM9

Type				
<b>LED POWER SUPPLY MULTI-POWER DIM9</b>				
	<b>300 90 63</b>			
	  IP20			
Dimensions (L x W x H)	125 x 79 x 22 (min. 84)			
Input	110-240V / 50-60Hz (110V: 40W)			
Output	350mA / 25W / 2-74V-DC	500mA / 35W / 2-72V-DC	700mA / 50W / 2-71V-DC	1050mA / 50W / 2-48V-DC
$\lambda$	> 0,9			
DIM	Switch DIM / 1-10V / Dali			

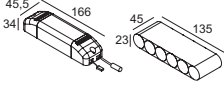
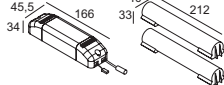

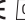

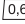
### LED POWER SUPPLY MULTI-POWER HC DIM9

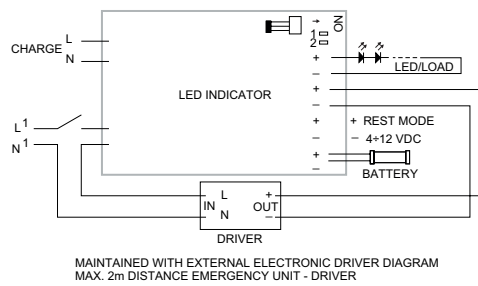
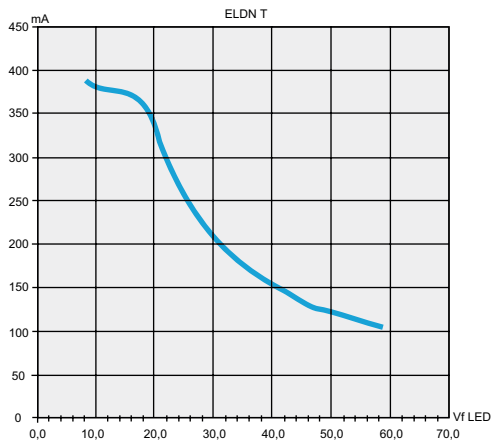
Type			
<b>LED POWER SUPPLY MULTI-POWER HC DIM9</b>			
	<b>300 90 136</b>		
	  IP20		
Dimensions (L x W x H)	110 x 76 x 30 (min. 90)		
Input	110-240V / 50-60Hz (110V: 40W)		
Output	1050mA / 45W / 2-44V-DC	1200mA / 52W / 2-44V-DC	1400mA / 55W / 2-43V-DC
$\lambda$	> 0,9		
DIM	Switch DIM / 1-10V / Dali		

### LED POWER SUPPLY MULTI-POWER HV DIM9

Type			
<b>LED POWER SUPPLY MULTI-POWER HV DIM9</b>			
	<b>300 90 69</b>		
	  IP20		
Dimensions (L x W x H)	125 x 79 x 22 (min. 84)		
Input	110-240V / 50-60Hz (110V: 40W)		
Output	350mA / 40W / 10-112V-DC	500mA / 50W / 2-100V-DC	700mA / 50W / 2-71V-DC
$\lambda$	> 0,9		
DIM	Switch DIM / 1-10V / Dali		

## EMERGENCY UNITS

Type		
<b>EMERGENCY UNIT</b>	<b>7W / 1h</b>	<b>7W / 3h</b>
	<b>202 91 0701</b>	<b>202 91 0703</b>
	  IP20	  IP20
Dimensions (L x W x H)	166 x 46 x 34 + 135 x 45 x 23	166 x 46 x 34 + 2 x (212 x 40 x 33)
Input	220-240V / 50-60Hz	220-240V / 50-60Hz
Output	9-46V-DC / 125-350mA	9-46V-DC / 125-350mA
Battery Type	NI-Cd BATTERY 7,2V - 1,6Ah	NI-Cd BATTERY 7,2V - 4Ah
Emergency Operation	<b>1h</b>	<b>3h</b>
Charging Time	<b>24h</b>	<b>24h</b>



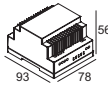

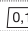
Emergency units are battery powered units that come into force in case of general power failure. In Lighting Bible 12 we offer emergency units specifically for LED luminaires. Thanks to the battery, a luminaire can keep emitting an amount of light, equal to a percentage of the nominal value when the luminaire is emitting at full power. This percentage is determined by the emergency unit and is known as the Ballast-Lumen Factor (BLF). More info on this Ballast Lumen Factor can be found on PAG TEC 14-15 based on the type of LED.



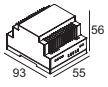

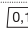
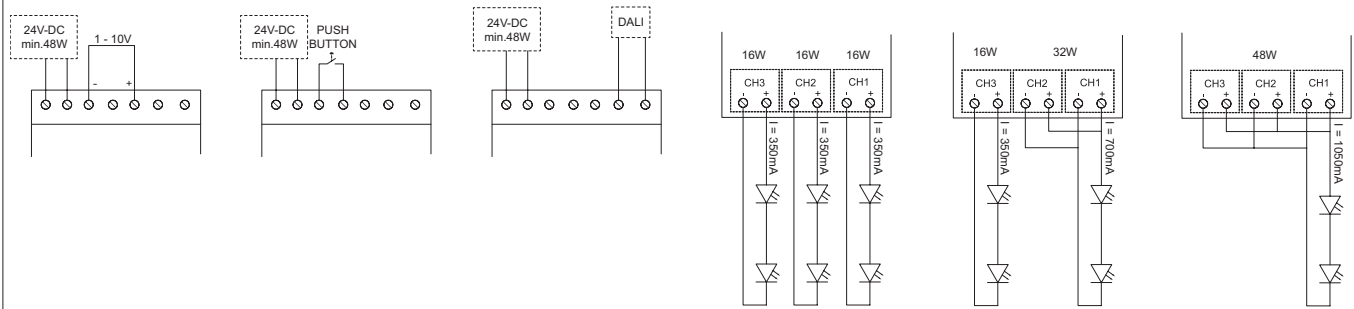
# OPTIONS

## POWER CONVERTOR

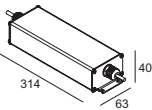
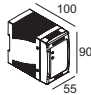
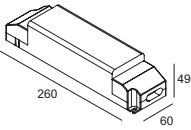
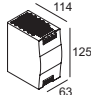

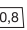

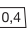

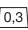

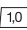
### LED POWER SUPPLY 24V-DC

Type	
<b>LED POWER SUPPLY 24V-DC</b>	<b>24V-DC / 60W</b>
	<b>300 89 24 61</b>
	  IP20
Dimensions (L x W x H)	93 x 78 x 56
Input	100-240V / 50-60Hz
Output	24V-DC / 60W
$\lambda$	> 0,8
DIM	-

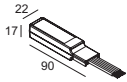
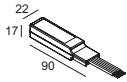
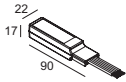
### LED POWER CONVERTER 24V-DC → MULTI CURRENT - 48W DIM9

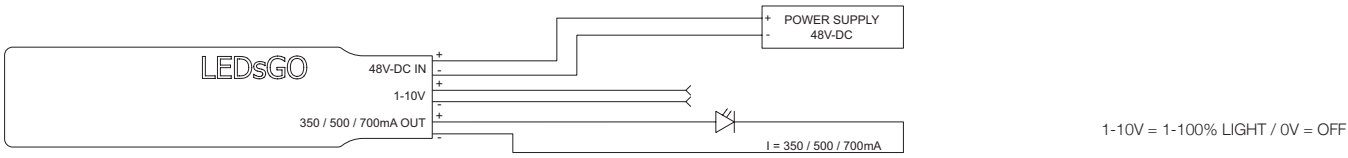
Type	
<b>LED POWER CONVERTER 24V-DC → MULTI CURRENT / 48W DIM9</b>	
	<b>300 90 67</b>
	  IP20
Dimensions (L x W x H)	93 x 55 x 56
Input	24V-DC
Output	350mA / 48W      700mA / 32W      1050mA / 48W
$\lambda$	
Dim	Switch Dim / 1-10V / Dali
	

### LED POWER SUPPLY 48V-DC

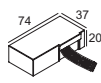
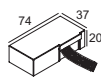
Type				
	<b>LED POWER SUPPLY 48V-DC / 90W</b>	<b>LED POWER SUPPLY 48V-DC / 100W</b>	<b>LED POWER SUPPLY 48V-DC / 150W</b>	<b>LED POWER SUPPLY 48V-DC / 240W</b>
	<b>300 89 48 90</b>	<b>300 89 48 100</b>	<b>300 89 48 150</b>	<b>300 89 48 240</b>
	  IP66	  IP20	  IP20	  IP20
Dimensions (L x W x H)	314 x 63 x 40	55 x 90 x 100	240 x 60 x 49	63 x 125 x 114
Input	115-230V / 50-60Hz	100-240V / 50-60Hz	220-240V / 50-60Hz	100-240V / 50-60Hz
Output	<b>48V-DC / 90W</b>	<b>48V-DC / 100W</b>	<b>48V-DC / 150W</b>	<b>48V-DC / 240W</b>
$\lambda$	> 0,92	> 0,93	> 0,93	> 0,93
DIM	-	-	-	-

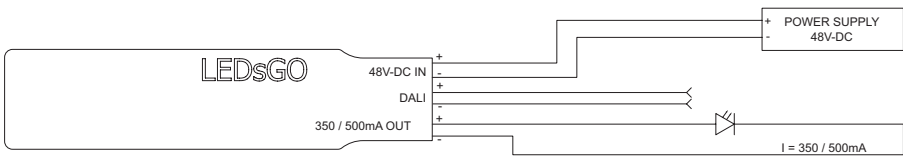
## LED POWER CONVERTOR 48V-DC DIM1

Type			
LED POWER CONVERTOR	48V-DC-> 350mA / 15W DIM1	48V-DC-> 500mA / 22W DIM1	48V-DC-> 700mA / 25W DIM1
	300 48 350 ED1 IP20	300 48 500 ED1 IP20	300 48 700 ED1 IP20
Dimensions (L x W x H)	90 x 22 x 17 (min. 30)	90 x 22 x 17 (min. 30)	90 x 22 x 17 (min. 30)
Input	48V-DC	48V-DC	48V-DC
Output	350mA-DC / 15W	500mA-DC / 22W	700mA-DC / 25W



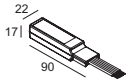
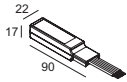
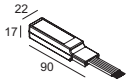
## LED POWER CONVERTOR 48V-DC DIM5

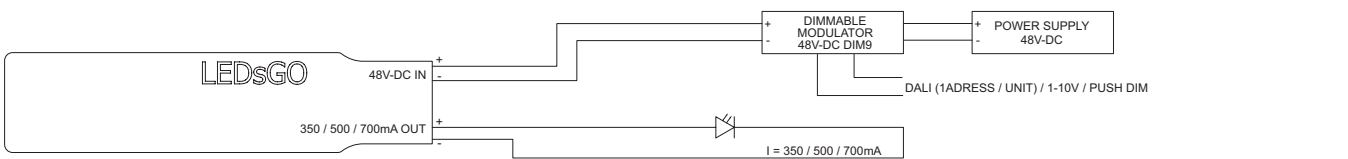
Type			
LED POWER CONVERTOR	48V-DC-> 350mA / 15W DIM5	48V-DC-> 500mA / 22W DIM5	
	300 48 350 ED5 IP20	300 48 500 ED5 IP20	
Dimensions (L x W x H)	74 x 36 x 20 (min. 45)	74 x 36 x 20 (min. 45)	
Input	48V-DC	48V-DC	
Output	350mA-DC / 15W	500mA-DC / 22W	





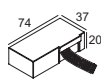
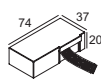
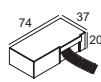
## LED POWER CONVERTOR 48V-DC MODULATION DIM LOW VOLTAGE (MDL)

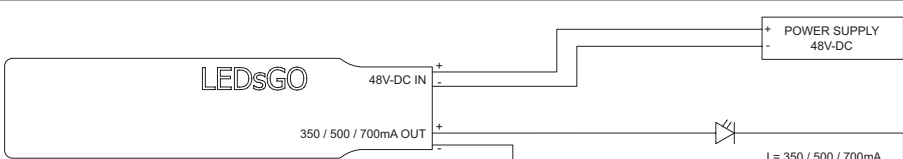
Type			
LED POWER CONVERTOR	48V-DC-> 350mA / 15W MDL	48V-DC-> 500mA / 22W MDL	48V-DC-> 700mA / 25W MDL
	300 48 350 MDL IP20	300 48 500 MDL IP20	300 48 700 MDL IP20
Dimensions (L x W x H)	90 x 22 x 17 (min. 30)	90 x 22 x 17 (min. 30)	90 x 22 x 17 (min. 30)
Input	48V-DC	48V-DC	48V-DC
Output	350mA-DC / 15W	500mA-DC / 22W	700mA-DC / 25W





## LED POWER CONVERTOR 48V-DC WIRELESS DIM LOW VOLTAGE (WDL)

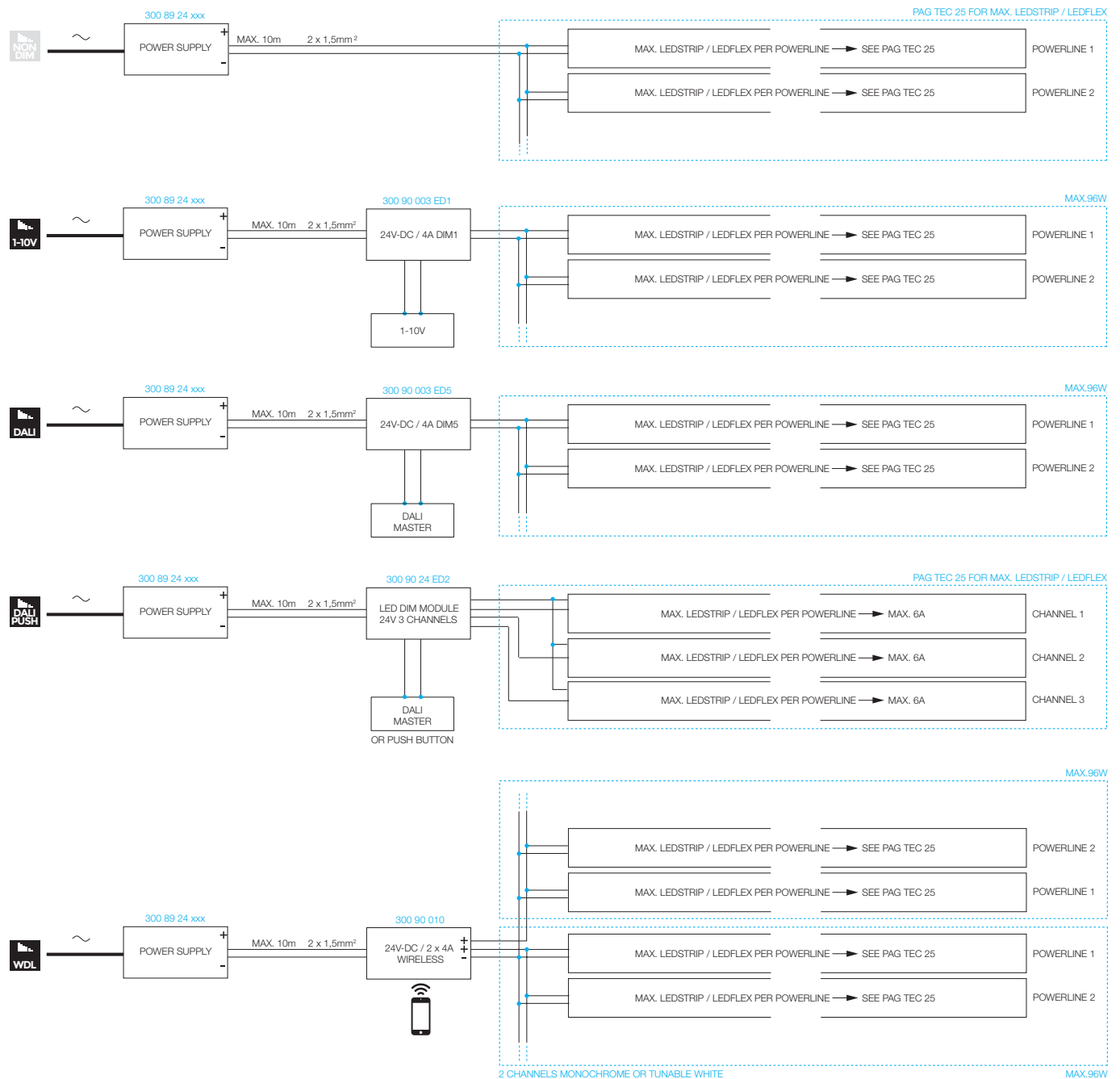
Type			
LED POWER CONVERTOR	48V-DC-> 350mA / 15W WDL	48V-DC-> 500mA / 22W WDL	48V-DC-> 700mA / 25W WDL
	300 48 350 WDL IP20	300 48 500 WDL IP20	300 48 700 WDL IP20
Dimensions (L x W x H)	74 x 36 x 20 (min. 45)	74 x 36 x 20 (min. 45)	74 x 36 x 20 (min. 45)
Input	48V-DC	48V-DC	48V-DC
Output	350mA-DC / 15W	500mA-DC / 22W	700mA-DC / 25W



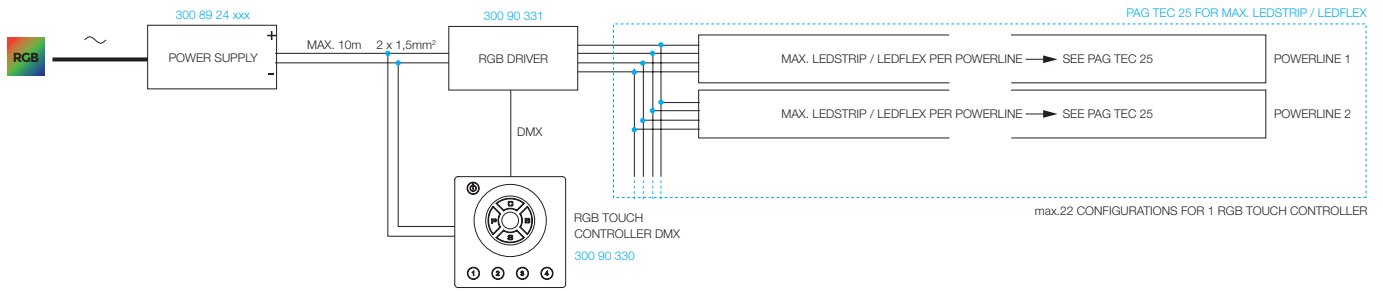
# OPTIONS

## VOLTAGE CONTROLLED

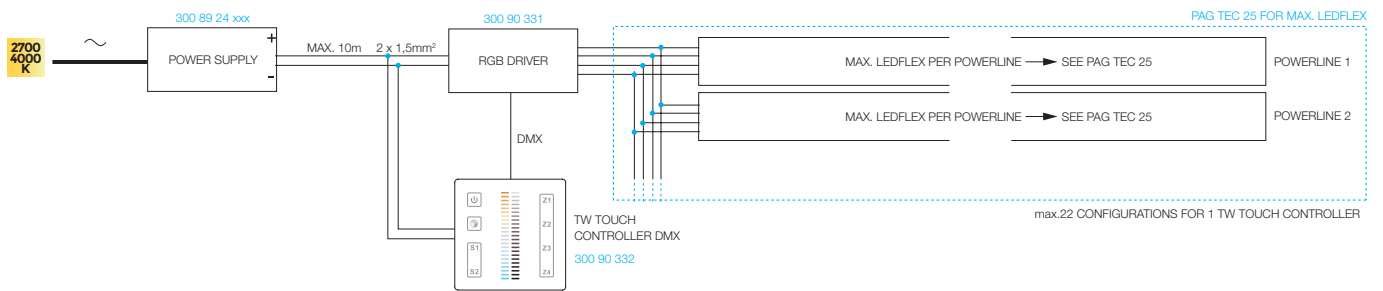
### LED POWER SUPPLY 24V-DC - INSTALLATION SCHEME - LEDSTRIP - LEDFLEX WHITE



### LED POWER SUPPLY 24V-DC - INSTALLATION SCHEME - LEDSTRIP - LEDFLEX RGB



### LED POWER SUPPLY 24V-DC - INSTALLATION SCHEME - LEDFLEX TW



ALL DIAGRAMS ARE TYPICAL, PLEASE CHECK MAXIMUM POWER OF EACH INDIVIDUAL DEVICE FOR PRACTICAL USE.

### LED POWER SUPPLY 24V-DC

Type					
<b>LED POWER SUPPLY...</b>	<b>24V-DC / 20W</b>	<b>24V-DC / 40W</b>	<b>24V-DC / 60W</b>	<b>24V-DC / 80W</b>	<b>24V-DC / 150W</b>
	<b>300 89 24 20</b>	<b>300 89 24 40</b>	<b>300 89 24 60</b>	<b>300 89 24 80 ED1</b>	<b>300 89 24 150</b>
	IP20	IP67	IP67	IP67	IP20
Dimensions (L x W x H)	146 x 55 x 19	242 x 46 x 36	215 x 44 x 31	250 x 50 x 34	260 x 60 x 49
Input	110-240V / 50-60Hz	100-240V / 50-60Hz	120-240V / 50-60Hz	220-240V / 50-60Hz	220-240V / 50-60Hz
Output	24V-DC / 20W (110V: 10W)	24V-DC / 40W	24V-DC / 60W	24V-DC / 80W	24V-DC / 150W
$\lambda$	0,55	> 0,95	0,99	> 0,90	0,98
DIM	-	-	-	DIM 1	-

#### LEDSTRIP

LEDSTRIP xx F	max.6 (3)	max.13	max.20	max.26 (max.20/powerline)	max.50 (max.20/powerline)
LEDSTRIP xx FP	max.2 (1)	max.4	max.6	max.8 (max.6/powerline)	max.15 (max.6/powerline)
LEDSTRIP xx RGB	max.2* (1)	max.5*	max.7*	-	max.18*

#### LEDFLEX

LEDFLEX IN	max.4m (2m)	max.8m (max.5m/powerline)	max.12m (max.5m/powerline)	max.16m (max.5m/powerline)	max.30m (max.5m/powerline)
LEDFLEX IN FP	max.1m (0,5m)	max.2,5m	max.4m (max.3m/powerline)	max.5m (max.3m/powerline)	max.10m (max.3m/powerline)
LEDFLEX IN HP	max.0,9m (0,45m)	max.1,8m	max.2,7m	max.3,6m (max.3m/powerline)	max.6,8m (max.3m/powerline)
LEDFLEX IN TW	max.1,3m (0,6m)	max.2,7m	max.4,1m	max.5,5m (max.3m/powerline)	max.10,4m (max.3m/powerline)
LEDFLEX IN RGB	max.2,4m* (1,2m)	max.5m*	max.7,36m*	-	max.18,72m*
LEDFLEX IN RGBW	max.1,1m	max.2,3m	max.3,5m	max.4,7m	max.8,9m
LEDFLEX OUT	max.4m (2m)	max.8m (max.5m/powerline)	max.12m (max.5m/powerline)	max.16m (max.5m/powerline)	max.30m (max.5m/powerline)
LEDFLEX OUT FP	max.1m (0,5m)	max.2,5m	max.4m (max.3m/powerline)	max.5m (max.3m/powerline)	max.10m (max.3m/powerline)
LEDFLEX OUT RGB	max.2,4m* (1,2m)	max.5m*	max.7,36m*	-	max.18,72m*

\* Use in combination with RGB Driver

# OPTIONS

## VOLTAGE CONTROLLED

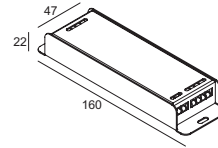
### LED DIMMODULE 24V

#### LED DIMMODULE 24V / 3CH / 6A DIM2 300 90 24 ED2

EXCL. POWER SUPPLY 12V-DC / 24V-DC  
INPUT 12/24V-DC - OUTPUT MAX 432W / 18A (3 DALI CHANNELS OF 6A)  
FOR LEDSTRIP / LEDFLEX W  
DIMMING BY DALI / SWITCH DIM (ONE UNIT ONLY)

IP20

INSTALLATION SCHEME: TEC23

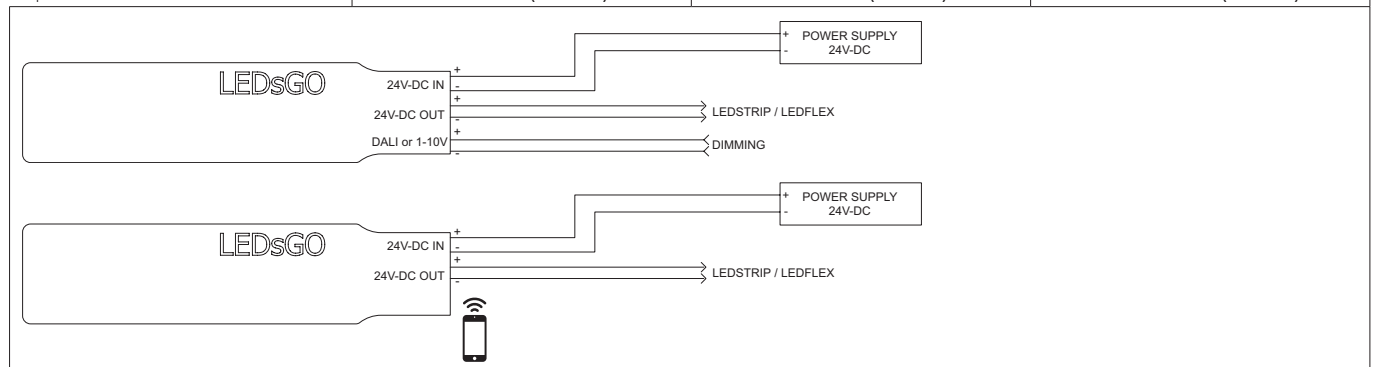


### LED POWER SUPPLY 24V-DC / 480W

Type	
LED POWER SUPPLY 24V-DC	<b>24V-DC / 480W</b> <b>300 89 24 480</b> IP20
Dimensions (L x W x H)	86 x 125 x 128
Input	100-240V / 50-60Hz
Output	24V-DC / 480W
	0,9
DIM	-

### 24V-DC DIM UNIT

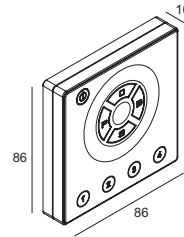
Type				
DIM UNIT	<b>24V-DC / 4A DIM1</b> <b>300 90 003 ED1</b> IP20	<b>24V-DC / 4A DIM5</b> <b>300 90 003 ED5</b> IP20	<b>24V-DC / 4A WIRELESS DIM UNIT</b> <b>300 90 010</b> IP20	
Dimensions (L x W x H)	90 x 22 x 17 (⌀ min. 30)	90 x 22 x 17 (⌀ min. 30)	90 x 22 x 17 (⌀ min. 30)	
Input	24V-DC	24V-DC	24V-DC	
Output	24V-DC / 4A (max.96W)	24V-DC / 4A (max.96W)	24V-DC / 2 x 4A (max.96W)	



**RGB TOUCH CONTROLLER DMX**

**RGB TOUCH CONTROLLER DMX**  
**300 90 330**  
 EXCL. POWER SUPPLY 12V-DC / 24V-DC  
 DUAL MODE STATIC / DYNAMIC  
 INPUT 12V-DC / 24V-DC - DMX OUT

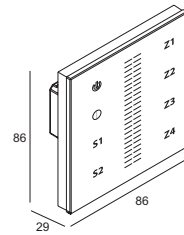
CE 0,1 IP20



**TW TOUCH CONTROLLER DMX**

**TW TOUCH CONTROLLER DMX**  
**300 90 332**  
 EXCL. POWER SUPPLY 12V-DC / 24V-DC  
 STATIC MODE  
 INPUT 12V-DC / 24V-DC - DMX OUT

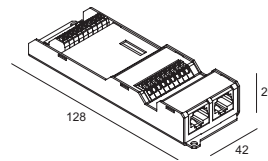
CE 0,1 IP20



**RGB DRIVER**

**RGB DRIVER**  
**300 90 331**  
 EXCL. POWER SUPPLY 12V-DC / 24V-DC  
 INPUT 12V-DC - OUTPUT RGB 75W  
 INPUT 24V-DC - OUTPUT RGB 150W  
 FOR COMMON ANODE RGB LEDSTRIP / LEDFLEX  
 DUAL MODE DMX / STAND ALONE

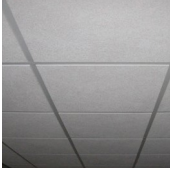
CE 0,1 IP20



# OPTIONS INSTALLATION

## APPLICATION OF MOUNTING OPTIONS

### SUSPENDED T-BAR & CEILING TILES (MIN. 8 MM)



**APPLY:** (replace tile by MDF)  
TRIMLESS KIT  
MOUNTING KIT 55/64/75  
MOUNTING KIT / MOUNTING KIT L  
ZB BOX

### MF (METAL FRAME) CEILING DRY LINED / GYPROC / MDF



**APPLY:**  
TRIMLESS KIT  
MOUNTING KIT 55/64/75  
MOUNTING KIT / MOUNTING KIT L  
ZB BOX

### STUCANET



**APPLY:**  
PLASTERKIT  
CONCRETE BOX  
TRIMLESS KIT  
ZB BOX

### EXPOSED CONCRETE



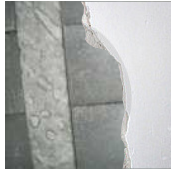
**APPLY:**  
EXPOSED CONCRETE PACK

### CONCRETE + PLASTER



**APPLY:**  
PLASTERKIT  
CONCRETE BOX  
CONCRETE PACK  
TRIMLESS KIT  
MOUNTING KIT / MOUNTING KIT L  
ZB BOX

### CONCRETE BEAM & BLOCK + PLASTER



**APPLY:**  
PLASTERKIT  
CONCRETE BOX  
CONCRETE PACK  
TRIMLESS KIT  
MOUNTING KIT / MOUNTING KIT L  
ZB BOX

### PREFABRICATED CONCRETE PLATE



**APPLY:**  
EXPOSED CONCRETE PACK

### PREFABRICATED CONCRETE PLATE + PLASTER



**APPLY:**  
PLASTERKIT  
CONCRETE BOX  
TRIMLESS KIT  
MOUNTING KIT / MOUNTING KIT L  
ZB BOX

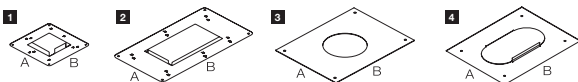
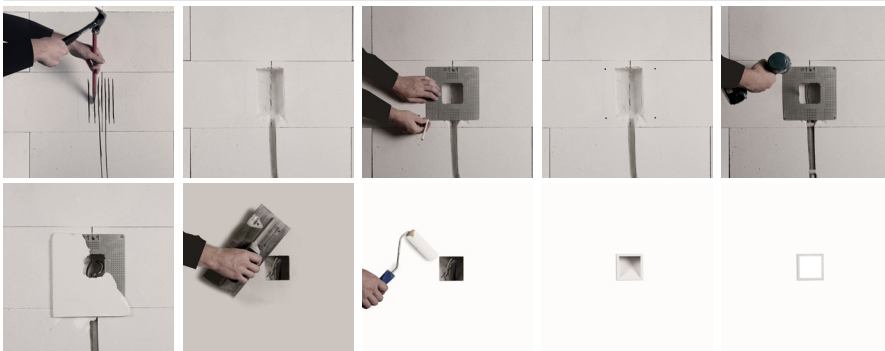
### BRICK + PLASTER



**APPLY:**  
PLASTERKIT  
CONCRETE BOX  
TRIMLESS KIT  
MOUNTING KIT / MOUNTING KIT L  
ZB BOX

Consult where used list  
of mounting options per luminaire:  
[www.deltalight.com/mountingoptions](http://www.deltalight.com/mountingoptions)

## PLASTERKIT



PLASTERKIT	REFERENCE	A x B	□	○	KG	S1	S2	TYPE
PLASTERKIT 101	202 11 19	205 x 205		77	0.1	80 x 180	195 - 205	3

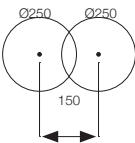
**MOUNTING KIT**



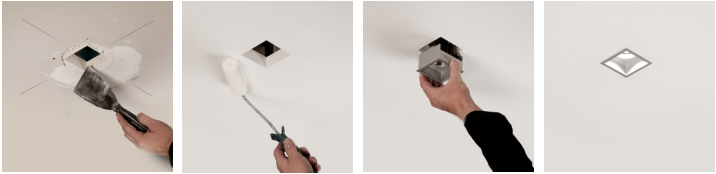
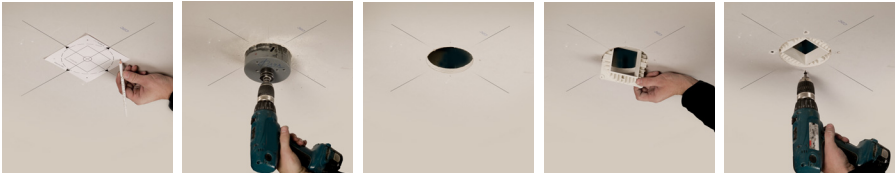
TYPE 6



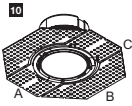
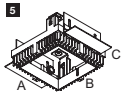
\* Ø250 - 150 - Ø250



TYPE 8



TYPE 7

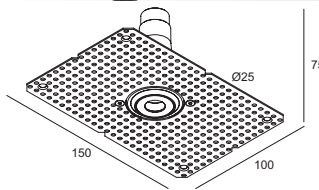
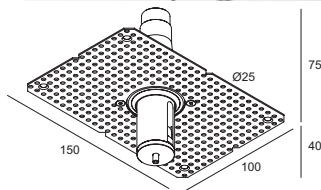
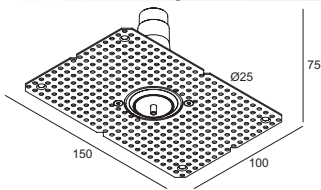


MOUNTING KIT	REFERENCE	A x B x C	KG	Hollow material			Solid material	Option/ Requirement	TYPE
				min.	max.	min. - max.	O/R		
MOUNTING KIT TAGLINE TRIMLESS	304 04 01	172 x 72 x 33	0.3	174 x 26 x 45		min.12,5		R	5
MOUNTING KIT MIDISPY TRIMLESS O.F.A.	414 21 00	170 x 170 x 58	0.4		Ø112 x 60	max.25		R	10
MOUNTING KIT DOT.COM M4 TRIMLESS	424 512 04 00	199 x 35 x 43	0.1	127 x 36 x 60		5 - 22		R	5



# OPTIONS INSTALLATION

## SUSPENSION TRIMLESS + CONNECTION TRIMLESS



62 x 80 9 or 12  
102 x 80 (CONCRETE)

**SUSPENSION TRIMLESS O.F.A.**  
**328 10 01**

INCL. 1 x AUTOMATIC ADJUSTMENT

0,2

[play.deltalight.com/suspensiontrimlessconcrete](http://play.deltalight.com/suspensiontrimlessconcrete)  
[play.deltalight.com/suspensiontrimlessplasterboard](http://play.deltalight.com/suspensiontrimlessplasterboard)

62 x 80 9 or 12  
102 x 80 (CONCRETE)

**SUSPENSION + CONNECTION TRIMLESS O.F.A.**  
**328 10 02**

INCL. 1 x CONNECTOR max. 3x 2,5 mm<sup>2</sup>  
INCL. 1 x AUTOMATIC ADJUSTMENT  
4A / 250V

0,2

[play.deltalight.com/suspensiontrimlessconcrete](http://play.deltalight.com/suspensiontrimlessconcrete)  
[play.deltalight.com/suspensiontrimlessplasterboard](http://play.deltalight.com/suspensiontrimlessplasterboard)

62 x 80 9 or 12  
102 x 80 (CONCRETE)

**CONNECTION TRIMLESS O.F.A.**  
**328 10 03**

INCL. 1 x CONNECTOR max. 3x 2,5 mm<sup>2</sup>  
4A / 250V

0,2

[play.deltalight.com/suspensiontrimlessconcrete](http://play.deltalight.com/suspensiontrimlessconcrete)  
[play.deltalight.com/suspensiontrimlessplasterboard](http://play.deltalight.com/suspensiontrimlessplasterboard)

### CABLE BASE R



**CABLE BASE R** ◇  
**203 99 55** ◇  
◇ = ANO / B / W

0,1

**OPTIONS**  
COVERSET R 62-90-100

### CABLE BASE S

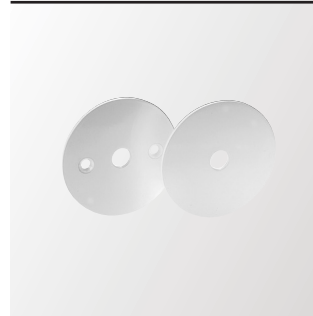


**CABLE BASE S** ◇  
**203 99 56** ◇  
◇ = ANO / B / W

0,1

**OPTIONS**  
COVERSET S 62-80-90

### COVERSET R



**COVERSET R 100** ◇  
**204 00 100** ◇

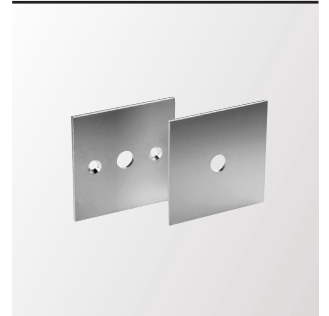
**COVERSET R 62** ◇  
**204 00 62** ◇

**COVERSET R 90** ◇  
**204 00 90** ◇

◇ = ANO / B / W

0,1

### COVERSET S



**COVERSET S 62** ◇  
**204 62 62** ◇

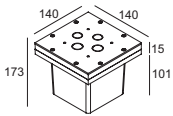
**COVERSET S 80** ◇  
**204 80 80** ◇

**COVERSET S 90** ◇  
**204 90 90** ◇

◇ = ANO / B / W

0,1

**CBOX**



142 x 142 x 300

**CBOX**  
**216 12 00**  
INCL. 2 x PG13,5 / 1 x PG11

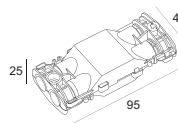
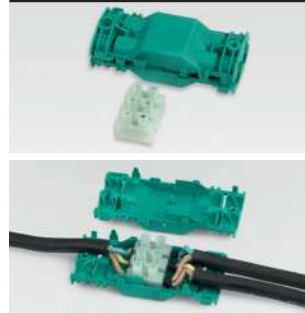
0,5 IP67

142 x 142 x 300

**CBOX 350 mA / 10W**  
**216 14 35**  
INCL. 2 x PG13,5 / 2 x PG11  
INCL. LED POWER SUPPLY 350mA-DC / 10W  
CURRENT CONTROLLED  
220-240V / 50-60Hz

0,7 IP67

**IP68 CONNECTION KIT**

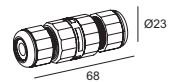


**IP68 CONNECTION KIT**  
**216 12 01**

CABLE Ø7,5-10 mm  
MAX. 3 x 4mm<sup>2</sup>  
4A 250V

0,1 IP68

**IP68 CONNECTOR 3P**



**IP68 CONNECTOR 3P**  
**216 12 02**











CABLE Ø7,5-12 mm  
MAX. 3 x 1,5mm<sup>2</sup>  
4A 250V

0,1 IP68

[play.deltalight.com/ip68connector](http://play.deltalight.com/ip68connector)

**LIGHT BEAM ACCESSORIES**

**ACCESSORIES**

ACCESSORIE					
LIGHT BEAM					
Ø40	VIZIR HONEYCOMB ◇ 473 03 01 ◇ ◇ = B			VIZIR SOFTENING LENS 473 03 04	
Ø50	HONEYCOMB 50 ◇ 413 03 01 ◇ ◇ = B	LINEAR SPREAD LENS 50 413 03 02	SPREAD LENS 50 413 03 03	SOFTENING LENS 50 413 03 04	GLASS SBL 50 413 03 05
					GLASS SBL 50 201 30 05
S105	HONEYCOMB S105 ◇ 431 03 01 ◇ ◇ = B	LINEAR SPREAD LENS S105 431 03 02			

Find out what products these accessories can be used with, by adding its reference number without colour to our website URL to visit the detailpage: for example: [www.deltalight.com/2010301](http://www.deltalight.com/2010301)

# PHOTOMETRICS

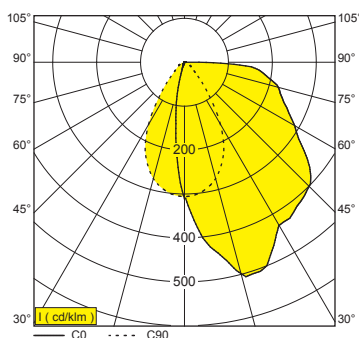
Apart from the lumen output and the power it consumes, a luminaire is characterized by its luminous distribution. At Delta Light® we have the knowledge and infrastructure in-house to determine those characteristics of the luminous distribution.

## POLAR DIAGRAM

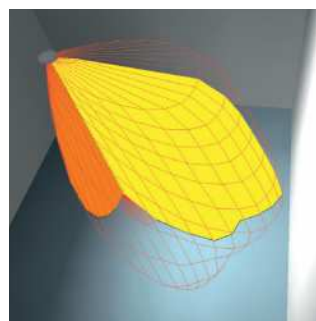
The luminous distribution of a luminaire is shown in a polar diagram, which is a two-dimensional representation of a three-dimensional measurement of the luminaire by the photogoniometer. The curve on this diagram tells us the direction where the light is being emitted, together with the luminous intensity of the light in the different directions, in function of the viewing angle in different planes. The C0-plane is represented by a full line and indicates the luminous distribution of the luminaire, perpendicular to the light source's longitudinal axis. In case of round or square shaped luminaires where no longitudinal axis can be determined, the C0-plane indicates the main direction of the light being emitted.

The C90-plane is represented by a dashed line and indicates the light distribution along the longitudinal axis.

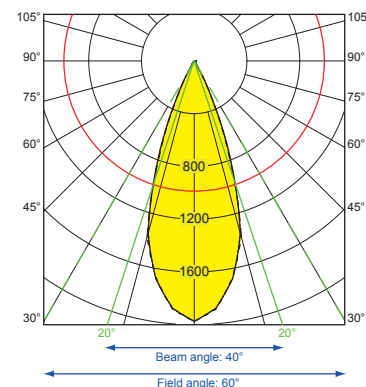
On the diagram each circle represents a value of the light intensity and is expressed in candela per kilolumen (cd/klm). The circles are divided in angles that indicate the direction of the light intensity.



As an example we have the polar diagram of the Sneak-R on the left. The C0-plane shows that almost all of the light is emitted forward and only a small amount of light is emitted backwards (full curve lies between -15° and 90° in the C0-plane). As the curve does not exceed the 90° line, it means that no light is emitted upwards. The peak of the curve is around 15° and shows a value of over 500 cd/klm. On the C90-plane we see a symmetrical curve between -35° and 35° with a peak at 0° and a value of 300 cd/klm.



Up-to-date photometrics of the luminaires mentioned in Lighting Bible 12® are available on the website. Photometrics on the new luminaires will be available in the upcoming months.



## BEAM ANGLE

Important to know is how 'beam angle' exactly is defined? It is the degree of width of the light that is emitted by a light source and it is determined by the angle between the 2 points on an axis where the intensity of the light drops down to 50% of the maximum light intensity ( $I_{max}$ ) of the light source.



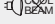



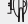

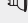
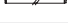
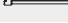




This 50% of  $I_{max}$  determines from which point the light fades and from where the human eye will consider the light as being spill light. The human eye will particularly see the inner circle as highlight, also known as the half value angle or beam angle, whereas the outer circle is known as the field angle.

The example on the right has an  $I_{max}$  of 2000 cd/klm.























By taking half of this value (1000 cd/klm) and intersecting the curve, we can determine the beam angle, which is 40°. The outer lines of the curves determine the field angle, which is in this case 60°.

























# LAMP INDEX

LIGHTSOURCE	LAMP	FITTING	VOLTAGE	OUTPUT (W)
	A60	E27Ls	100-240V / 50-60Hz	15-25-40-60
	QR-51 ALU	GX5.3	12V	20-35-50
	QR-C51	GX5.3	12V	20-35-50
	QR-CBC51	GX5.3	12V	20-35-50
	QR-CB51	GX5.3	12V	20-35-50
	QR-LP70	BA15d	12V	20-50
	QR-LP111	G53	12V	35-50-75-100
	QT14	G9	100-240V / 50-60Hz	25-40-60
	QPAR51	GU10	100-240V / 50-60Hz	35-50
	T16	G5	220-240V / 50-60Hz	8 14-21-28-35 24-39-49-54-80
	TC-L	2G11	220-240V / 50-60Hz	24-36-55
	T2-MLF	GX53	220-240V / 50-60Hz	9
	TC-TSE	E27Ls	100-240V / 50-60Hz	15-20-23
	TCA-SE	E27Ls	100-240V / 50-60Hz	5-7-10-15-20-23
	TC-SB	E27Ls	100-240V / 50-60Hz	9-12-16

# LEGENDA

						
	KLEUR	COULEUR	COLOUR	FARBE	Colour	ColourE
<b>A</b>	ALU GRIJS	ALU GRIS	ALU GREY	ALU GRAU	ALU GRIS	ALU GRIGIO
<b>ALU</b>	ALUMINIUM	ALUMINIUM	ALUMINIUM	ALUMINIUM	ALUMINIO	ALUMINIO
<b>ANO</b>	GEANODISEERD ALU	ALU ANODISE	ALU ANODISED	ALU ELOXIERT	ALU ANODIZADO	ALU ANODIZZATO
<b>B</b>	ZWART RAL 9005	NOIR RAL 9005	BLACK RAL 9005	SCHWARZ RAL 9005	NEGRO RAL 9005	NERO RAL 9005
<b>BBR</b>	BLACK BRONZE	BLACK BRONZE	BLACK BRONZE	BLACK BRONZE	BLACK BRONZE	BLACK BRONZE
<b>BP</b>	BLACK PURE	BLACK PURE	BLACK PURE	BLACK PURE	BLACK PURE	BLACK PURE
<b>C</b>	CHROOM	CHROME	CHROMED	CHROM	CROMO	CROMATO
<b>FBR</b>	FLEMISH BRONZE	FLEMISH BRONZE	FLEMISH BRONZE	FLEMISH BRONZE	FLEMISH BRONZE	FLEMISH BRONZE
<b>FG</b>	FLEMISH GOLD	FLEMISH GOLD	FLEMISH GOLD	FLEMISH GOLD	FLEMISH GOLD	FLEMISH GOLD
<b>G</b>	GRIJS BRUIN	GRIS BRUN	GREY BROWN	GRAU BRAUN	GRIS MARRON	GRIGIO BRUNO
<b>GC</b>	GCHAMPAGNE	GCHAMPAGNE	GCHAMPAGNE	GCHAMPAGNE	GCHAMPAGNE	GCHAMPAGNE
<b>INOX</b>	ROESTVRIJ STAAL	ACIER INOXYDABLE	STAINLESS STEEL	ROSTFREIER STAHL	ACERO INOXIDABLE	ACCIAIO INOSSIDABILE
<b>M</b>	VERGULD	DORE	GOLD	VERGOLDET	ORO	ORO
<b>N</b>	DONKERGRIJS	GRIS FONCE	DARK GREY	DUNKELGRAU	GRIS OSCURO	GRIGIO SCURO
<b>MMAT</b>	VERGULD MAT	LAITON DEPOLI	GOLD MAT	VERGOLDET MAT	ORO MATE	ORO OPACO
<b>SG</b>	ZILVERGRIJS	GRIS ARGENTÉ	SILVER GREY	SILBER GRAU	GRIS PLATEADO	GRIGIO ARGENTO
<b>PRIM</b>	GRONDLAAG	APPRET	PRIMER	GRUNDIERUNG	PINTURA DE FONDO	MESTICA
<b>RAL</b>	KLEUR RAL	COULEUR RAL	COLOUR RAL	FARBE RAL	Colour RAL	ColourE RAL
<b>W</b>	WIT RAL 9003	BLANC RAL 9003	WHITE RAL 9003	WEIß RAL 9003	BLANCO RAL 9003	BIANCO RAL 9003
	SCHILDEREN VEREIST	PEINTURE DE FINITION REQUISE	PAINT FINISH REQUIRED	LACKIERUNG ERFORDERLICH	ACABADO DE PINTURA NECESARIO	NECESSITA DI FINITURA
	TOESTEL KLASSE 1	APPAREIL CLASSE 1	FIXTURE CLASS 1	GERÄT KLASSE 1	APARATO CLASE 1	APPARECCHIO CLASSE 1
	TOESTEL KLASSE 2	APPAREIL CLASSE 2	FIXTURE CLASS 2	GERÄT KLASSE 2	APARATO CLASE 2	APPARECCHIO CLASSE 2
	TOESTEL KLASSE 3	APPAREIL CLASSE 3	FIXTURE CLASS 3	GERÄT KLASSE 3	APARATO CLASE 3	APPARECCHIO CLASSE 3
	NORM 01.96 EMC 89 / 336 / EEC	NORM 01.97. LV 73 / 23 / EEC	NORM 01.97. LV 73 / 23 / EEC	NORM 01.97. LV 73 / 23 / EEC	NORM 01.97. LV 73 / 23 / EEC	NORM 01.97. LV 73 / 23 / EEC
	NETTO GEWICHT KG	POIDS NET KG	NET WEIGHT KG	NETTO GEWICHT KG	PESO NETO KG	PESO NETTO KG
<b>IP</b>	BESCHERMINGSINDICATIE	INDICE DE PROTECTION	PROTECTION LEVEL	SCHUTZKLASSE	CLASE DE PROTECCIÓN	CLASSE DI PROTEZIONE
	MECHANISCHE IMPACT	IMPACT MÉCANIQUE	MECHANICAL IMPACT	MECHANISCHE EINWIRKUNG	IMPACTO MECÁNICO	URTO MECCANICO
	RONDE OPENING DIAMETER x MIN. INBOUW DIEPTE	DECOUPE RONDE DIAMÈTRE x PROFONDEUR NECESSAIRE POUR ENCASTREMENT	ROUND OPENING DIAMETER x MIN. DEPTH FOR RECESSING	RUNDE ÖFFNUNG DIAMETER x MIN. TIEFE FÜR EINBAU	ABERTURA REDONDA DIAMETRO x DISTANCIA MINIMA DE EMPOTRAMIENTO	FORO TONDO DIAMETRO x SPESSORE MINIMO RICHIESTO PER L'INCASSO
	RECHTHOEKIGE OPENING LENGTE x BREEDTE x MIN. INBOUW DIEPTE	DECOUPE RECTANGULAIRE LO x LA x PRO. NECESSAIRE POUR ENCASTREMENT	RECTANGULAR OPENING LENGTH x WIDTH x MINIMUM DEPTH FOR RECESSING	RECHTECKIGE ÖFFNUNG LÄNGE x BREITE x MINIMUM TIEFE EINBAU	ABERTURA RECTANGULAR LARGO x ANCHO x DISTANCIA MINIMA DE EMPOTRAMIENTO	FORO RETTANGOLARE LUNGHEZZA x LARGHEZZA x SPESSORE MINIMO RICHIESTO PER L'INCASSO
	MAX. DIKTE MONTAGEOPPERVLAK	EPAISSEUR MAX. DE LA SURFACE DE MONTAGE	MAX. THICKNESS OF THE MOUNTING SURFACE	MAXIMALE STÄRKE DER BEFESTIGUNGSFLÄCHE	ESPESOR MÁXIMO DE LA SUPERFICIE DE MONTAJE	SPESSORE MASSIMO DELLA SUPERFICIE DI MONTAGGIO
	MIN. AFSTAND (M) LAMP - OBJECT	DISTANCE MIN. (M) AMPOULE - OBJET	MIN. DISTANCE (M) LAMP - OBJECT	MIN. DISTANZ (M) LAMP - OBJEKT	DISTANCIA MINIMA (M) LAMPARA - OBJETO	DISTANZA MIN. (M) LAMPADA - OGGETTO
	BEVESTIGING VLOER - WAND - PLAFOND OPBOUW	MONTAGE SOL - MUR - PLAFOND APPLIQUEE	FIXATION FLOOR - WALL - CEILING SURFACE MOUNTED	MONTAGE BODEN - WAND - DECKE AUFGEBAUT	MONTAJE SUELO - PARED - TECHO MONTADO AL SUPERFICIE	MONTAGGIO PAVIMENTO-PARETE - SOFFITTO MONTATO A SUPERFICIE
	BEVESTIGING VLOER - WAND - PLAFOND INBOUW	MONTAGE SOL - MUR - PLAFOND ENCASTRE	FIXATION FLOOR - WALL - CEILING RECESSED	MONTAGE BODEN - WAND - DECKE EINGEBAUT	MONTAJE SUELO - PARED-TECHO EMPOTRADO	MONTAGGIO PAVIMENTO-PARETE - SOFFITTO-INCASSO
	BEVESTIGING PLAFOND GEPENDELD	MONTAGE PLAFOND SUSPENDU	FIXATION CEILING SUSPENDED	MONTAGE DECKE GEPENDELT	MONTAJE TECHO SUSPENDIDO	MONTAGGIO SOFFITTO SOSPESO
	STAND ALONE	STAND ALONE	STAND ALONE	STAND ALONE	STAND ALONE	STAND ALONE

						
	GESCHIKT VOOR BINNEN- EN BUITENGEBRUIK	CONVIENT A USAGE INTERIEUR ET EXTERIEUR	SUITABLE FOR INDOOR AND OUTDOOR USE	EIGNET SICH FÜR INNEN- UND AUßENBEREICH	APTO PARA USO INTERIOR Y EXTERIOR	PER UTILIZZO SIA IN INTERNI CHE DA ESTERNI
	VEREN VOOR HOLLE WAND	RESSORTS PRECONISES POUR FAUX-PLAFONDS	SPRINGS FOR HOLLOW SURFACES	FEDERN FÜR HOHL RAUMDECKE	MUELLES PARA UTILIZAR EN FALSOS TECHOS DE ESCAYOLA Y PLADUR	SISTEMA DI FISSAGGIO PER CONTRO-SOFFITTI IN LASTRE O PANNELLI
	VEREN VOOR VOLLE WAND	RESSORTS PRECONISES POUR PLAFONDS STANDARDS	SPRINGS FOR SOLID SURFACES	FEDERN FÜR VOLL MATERIAL	MUELLES PARA UTILIZAR EN HORMIGON	SISTEMA DI FISSAGGIO PER VANI CHIUSI REALIZZATI NELLA MURATURA
<b>EVG</b>	ELEKTRONISCHE VOORSCHAKELAPPARATUUR	BALLAST ELECTRONIQUE	ELECTRONIC BALLAST	ELEKTRONISCHES VORSCHALTGERÄT	BALASTRO ELECTRONICO	REATTORE ELETTRONICO
<b>EVG DIMMABLE</b>	DIMBAAR ELEKTRONISCHE VOORSCHAKELAPPARATUUR	BALLAST ELECTRONIQUE DIMMABLE	ELECTRONIC DIMMABLE BALLAST	ELEKTRONISCHES DIMBARES VORSCHALTGERÄT	BALASTRO ELECTRONICO REGULABLE	REATTORE ELETTRONICO DIMMERABILE
	LAMBDA = 0,9	LAMBDA = 0,9	LAMBDA = 0,9	LAMBDA = 0,9	LAMBDA = 0,9	LAMBDA = 0,9
	DIMBAAR 1-10V	VARIATION 1-10V	DIMMABLE 1-10V	DIMBAR 1-10 V	REGULABLE 1-10V	DIMMERABILE 1-10V
	DALI DIMBAAR	VARIATION DALI	DIMMABLE DALI	DIMBAR DALI	REGULABLE DALI	DIMMERABILE DALI
	DIMBAAR FASE AFSNIJDING	COUPE PHASE DESCENDANTE	FALLING EDGE DIMMABLE	PHASENABSCHNITT DIMMUNG	REGULACION DE CORTE DESCENDENTE	REGOLAZIONE CON DIMMER A TAGLIO DI FASE
	MODULATION DIM LOW-VOLTAGE	MODULATION DIM LOW-VOLTAGE	MODULATION DIM LOW-VOLTAGE	MODULATION DIM LOW-VOLTAGE	MODULATION DIM LOW-VOLTAGE	MODULATION DIM LOW-VOLTAGE
	WIRELESS DIM LOW VOLTAGE	WIRELESS DIM LOW VOLTAGE	WIRELESS DIM LOW VOLTAGE	WIRELESS DIM LOW VOLTAGE	WIRELESS DIM LOW VOLTAGE	WIRELESS DIM LOW VOLTAGE
	NIET DIMBAAR	NON DIMMABLE	NON DIMMABLE	NICHT DIMBAR	NO REGULABLE	NON DIMMERABILE
	GESCHIKT VOOR TOEPASSING IN BADKAMERS (**)	APPLICABLE POUR SALLES DE BAINS (**)	SUITABLE FOR USE IN BATHROOM (**)	GEEIGNET FÜR INSTALLATION IM BADEZIMMER (**)	ILUMINACIÓN APTO PARA USO EN BAÑOS (**)	ILLUMINAZIONE ADATTA PER L'AMBIENTE BAGNO (**)
	PAG TEC 13	PAG TEC 13	PAG TEC 13	PAG TEC 13	PAG TEC 13	PAG TEC 13
	PAG TEC 4	PAG TEC 4	PAG TEC 4	PAG TEC 4	PAG TEC 4	PAG TEC 4
	PAG TEC 7	PAG TEC 7	PAG TEC 7	PAG TEC 7	PAG TEC 7	PAG TEC 7
	BEWEGINGS DETECTIE	DÉTECTION DE PRÉSENCE	PRESENCE DETECTION	PRÄSENZMELDER	DETECTOR DE PRESENCIA	RILEVATORE DI PRESENZA
	TUNABLE WHITE	TUNABLE WHITE	TUNABLE WHITE	TUNABLE WHITE	TUNABLE WHITE	TUNABLE WHITE
<b>SBL</b>	GEZANDSTRAALD	SABLE	SANDBLASTED	GESANDSTRAHLTES	SATINADO	SATINATO
<b>ESG</b>	VEILIGHEIDSGLAS	VERRE DE SECURITE	SAFETY GLASS	EINSCHLEIBEN SICHERHEITSGLAS	CRISTAL DE SEGURIDAD	VETRO DI SICUREZZA
<b>95</b>	AFMETINGEN IN MM	DIMENSIONS EN MM	DIMENSIONS IN MM	ABMESSUNGEN IN MM	DIMENSIONES EN MM	DIMENSIONI IN MM
<b>TOL.DIN</b>	TOLERANTIE VOLGENS DIN-NORMEN	TOLERANCE CONFORME AUX NORMES DIN	TOLERANCE ACCORDING TO DIN-SPECIFICATIONS	TOLERANZ NACH DIN-NORMEN	TOLERANCIA SEGUN LAS NORMAS DIN	TOLLERANZE A NORME DIN
<b>DIN EN12020-2</b>	TOLERANTIES EXTRUSIE	TOLERANCES EXTRUSION	TOLERANCES EXTRUSION	TOLERANZEN EXTRUSION	TOLERANCIA EXTRUSION	TOLLERANZA ESTRUSIONE
<b>DIN 17.611</b>	TOLERANTIES ANODISATIE	TOLERANCES ANODISATION	TOLERANCES ANODISATION	TOLERANZEN ELOXIERUNG	TOLERANCIA ANODIZADO	TOLLERANZA ANODIZZATO
<b>DIN 55.928</b>	TOLERANTIES LAKWERK	TOLERANCES LAQUAGE	TOLERANCES COATING	TOLERANZEN LACKIERUNG	TOLERANCIA LACA	TOLLERANZA LACCA



(\*) CEBEC IS THE BELGIAN CERTIFICATION BODY IN THE FIELD OF ELECTRICAL EQUIPMENT. IT IS PARTICIPATING IN THE CB SCHEME SINCE IT IS ACCREDITED AS A CERTIFICATION BODY FOR THE CERTIFICATION OF PRODUCTS ACCORDING TO EN 45011 AND THE CERTIFICATION OF QUALITY SYSTEMS ACCORDING TO THE STANDARD EN 45012.  
 (\*\*\*) CHECK COMPLIANCE WITH LOCAL REGULATIONS.  
 PRODUCTS MANUFACTURED ACCORDING TO IEC/EN 60598-1 AND THE APPLICABLE SECTIONS OF IEC/EN 60598-2



# INDEX

—

# INDEX BY REFERENCE

REFERENCE	PAG	REFERENCE	PAG	REFERENCE	PAG
202 11 19	TEC 28	274 97 6583 PR ED1	50	300 90 118	TEC 16
202 263 811 922	21	274 97 6583 PR ED5	50	300 90 119	TEC 16
202 263 811 923	21	274 97 9583 ED1	50	300 90 121	TEC 16
202 263 811 932	21	274 97 9583 ED5	50	300 90 123	TEC 16
202 263 811 933	21	274 97 9583 PR ED1	50	300 90 124	TEC 19
202 2632 811 922	21	274 97 9583 PR ED5	50	300 90 125	TEC 18
202 2632 811 923	21	274 98 6583 ED1	51	300 90 134	TEC 19
202 2632 811 932	21	274 98 6583 ED5	51	300 90 135	TEC 17
202 2632 811 933	21	274 98 6583 PR ED1	51	300 90 136	TEC 20
202 264 811 922	21	274 98 6583 PR ED5	51	300 90 137	TEC 5
202 264 811 923	21	274 98 9583 ED1	51	300 90 145	54
202 264 811 932	21	274 98 9583 ED5	51	300 90 146	54
202 264 811 933	21	274 98 9583 PR ED1	51	300 90 147	54
202 2642 811 922	21	274 98 9583 PR ED5	51	300 90 148	TEC 16
202 2642 811 923	21	274 99 6583 ED1	53	300 90 22	TEC 16
202 2642 811 932	21	274 99 6583 ED5	53	300 90 24 ED2	TEC 26
202 2642 811 933	21	274 99 6583 PR ED1	53	300 90 3112	TEC 16
202 265 1902	21	274 99 6583 PR ED5	53	300 90 312	TEC 5
202 2652 1902	21	274 99 9583 ED1	53	300 90 330	TEC 27
202 274 811 922	20	274 99 9583 ED5	53	300 90 331	TEC 27
202 274 811 932	20	274 99 9583 PR ED1	53	300 90 332	TEC 27
202 275 811 922	20	274 99 9583 PR ED5	53	300 90 5120	TEC 16
202 275 811 932	20	275 163 93 ED1	79	300 90 60	TEC 19
202 276 1902	20	275 164 93 ED1	79	300 90 61	TEC 18
202 91 0701	TEC 21	300 48 060	56	300 90 63	TEC 20
202 91 0703	TEC 21	300 48 350 ED1	TEC 23	300 90 64	TEC 17
203 99 55	TEC 30	300 48 350 ED5	TEC 23	300 90 67	TEC 22
203 99 56	TEC 30	300 48 350 MDL	TEC 23	300 90 68	TEC 18
204 00 100	TEC 30	300 48 350 WDL	TEC 23	300 90 69	TEC 20
204 00 62	TEC 30	300 48 500 ED1	TEC 23	300 90 91	TEC 16
204 00 90	TEC 30	300 48 500 ED5	TEC 23	300 90 914	TEC 17
204 62 62	TEC 30	300 48 500 MDL	TEC 23	300 90 915 ED5	TEC 11
204 80 80	TEC 30	300 48 500 WDL	TEC 23	300 90 915 ED8	TEC 11
204 90 90	TEC 30	300 48 700 ED1	TEC 23	300 90 92	TEC 16
216 12 00	TEC 31	300 48 700 MDL	TEC 23	300 90 93	TEC 16
216 12 01	TEC 31	300 48 700 WDL	TEC 23	300 91 51 92	109
216 12 02	TEC 31	300 89 24 150	TEC 25	300 91 51 93	109
216 14 35	TEC 31	300 89 24 20	TEC 25	300 91 51 94	109
223 122 83	125	300 89 24 40	TEC 25	300 91 56 92	111
223 126 83	125	300 89 24 480	TEC 26	300 91 56 93	111
223 24 83	123	300 89 24 60	TEC 25	300 91 56 94	111
223 26 83	123	300 89 24 61	TEC 22	300 92 52 33	TEC 9
223 34 83	123	300 89 24 80 ED1	TEC 25	300 92 52 92	TEC 8
223 36 83	123	300 89 48 100	TEC 22	300 92 52 93	TEC 8
223 44 83	123	300 89 48 150	TEC 22	300 92 52 94	TEC 8
223 46 83	123	300 89 48 240	TEC 22	300 92 523 83	TEC 9
223 54 83	120	300 89 48 90	TEC 22	300 92 53 92	TEC 8
223 55 83	120	300 90 003 ED1	TEC 26	300 92 53 93	TEC 8
223 99 01	122	300 90 003 ED5	TEC 26	300 92 53 94	TEC 8
232 012 82	121	300 90 004 ED5	TEC 5	300 92 54 92	TEC 8
232 012 83	121	300 90 004 ED8	TEC 5	300 92 54 93	TEC 8
232 022 82	121	300 90 005	TEC 5	300 92 54 94	TEC 8
232 022 83	121	300 90 006	TEC 5	300 92 55 2740	TEC 8
232 942 83	122	300 90 007	TEC 5	300 92 62 33	TEC 9
232 962 83	122	300 90 008	TEC 5	300 92 62 92	TEC 8
251 81 83	49	300 90 009	TEC 5	300 92 62 93	TEC 8
270 63 06 93	83	300 90 010	TEC 26	300 92 62 94	TEC 8
270 63 12 93	83	300 90 011	TEC 6	300 92 63 92	TEC 8
271 06 92	119	300 90 012	TEC 6	300 92 63 93	TEC 8
271 06 93	119	300 90 013	TEC 14	300 92 63 94	TEC 8
271 08 92 ED8	33	300 90 014	TEC 14	300 92 93 04	TEC 9
271 08 93 ED8	33	300 90 015	TEC 14	300 92 93 05	TEC 9
274 106 00	55	300 90 016 ED1	TEC 5	300 92 93 06	TEC 9
274 106 01	55	300 90 017	TEC 14	300 92 93 07	TEC 9
274 312 00	55	300 90 018	TEC 14	300 92 93 08	TEC 9
274 97 10	50	300 90 108	TEC 16	300 92 93 09	TEC 9
274 97 6583 ED1	50	300 90 110	TEC 16	300 96 15	TEC 15
274 97 6583 ED5	50	300 90 116	TEC 16	302 222 831	117



# INDEX BY REFERENCE

REFERENCE	PAG
304 04 01	TEC 29
304 04 15 92	77
304 04 15 93	77
309 107 38 13	TEC 7
309 107 38 23	TEC 7
309 109 00 25	TEC 7
309 109 01 27	TEC 7
309 109 02 27	TEC 7
309 109 03 27	TEC 7
309 109 04 27	TEC 7
309 109 05 27	TEC 7
309 109 06 27	TEC 7
328 10 02	TEC 30
328 10 03	TEC 30
328 25 43 ED	50
328 26 23	50
328 26 43	54
328 26 43 ED	54
328 27 40	110
328 27 80	110
377 98 51	110
377 98 56	110
377 99 51	110
377 99 56	110
392 04 00 00	102
392 04 03 01	102
392 04 06 01	102
392 04 06 06	102
404 00 00	110
404 03 01	110
404 06 01	110
404 09 01	110
404 12 93	75
404 12 93 ED1	75
404 20 93	75
404 20 93 ED1	75
404 20 93 ED5	75
404 24 100	110
404 24 60 ED1	110
405 00 00	112
405 03 01	112
405 06 01	112
405 14 01	112
405 35 30 93 ED1	81
405 35 41 93 ED1	81
413 03 01	TEC 31
413 03 02	TEC 31
413 03 03	TEC 31
413 03 04	TEC 31
413 03 05	TEC 31
414 01 00	30
414 03 00	29
414 11 00	25
414 21 00	TEC 29
414 211 923	23
414 211 933	23
414 212 822	23
414 212 832	23
414 231 923	23
414 231 933	23
414 232 822	23
414 232 832	23
414 90 01	27
418 161 822 MDL	59
418 161 832 MDL	59
418 162 822 MDL	59
418 162 832 MDL	59
418 163 01	58

REFERENCE	PAG
418 163 02	58
418 163 822 MDL	59
418 163 832 MDL	59
418 263 923 MDL	59
418 263 933 MDL	59
418 361 1902 MDL	61
418 367 811 922 MDL	58
418 367 811 932 MDL	58
418 367 821 MDL	58
418 367 831 MDL	58
418 368 811 922 MDL	58
418 368 811 932 MDL	58
418 368 821 MDL	58
418 368 831 MDL	58
418 48 050	56
418 48 100	56
418 481 07	57
418 481 09	57
418 481 12	57
418 481 17	57
418 482 106	57
418 482 109	57
418 482 211	57
418 482 217	57
418 561 93 MDL	61
420 20 03 01	88
420 20 06 06	88
420 20 06 17	88
420 20 10 00	88
420 20 14 01	88
420 20 20 00	88
420 20 30 00	88
420 26 03 01	88
420 26 10 00	88
420 26 20 00	88
420 26 30 00	88
420 52 03 01	89
420 52 06 06	89
420 52 06 17	89
420 52 10 00	89
420 52 20 00	89
420 52 30 00	89
420 52 98 01	89
421 142 1902 MDL	97
421 148 1902 MDL	97
421 228 1902 D MDL	97
421 313 06 93 MDL	91
421 313 08 93 MDL	91
421 313 10 93 MDL	91
421 313 12 93 MDL	91
422 111 93	65
422 111 93 ED1	65
422 111 93 ED5	65
422 112 93	65
422 112 93 ED1	65
422 112 93 ED5	65
422 121 93	65
422 121 93 ED1	65
422 121 93 ED5	65
422 122 93	65
422 122 93 ED1	65
422 122 93 ED5	65
422 131 83	67
422 132 83	67
422 141 93	67
422 141 93 ED1	67
422 141 93 ED5	67
422 142 93	67

REFERENCE	PAG
422 142 93 ED1	67
422 142 93 ED5	67
422 161 811 932	69
422 161 811 932 ED1	69
422 161 811 932 ED5	69
422 162 811 932	69
422 162 811 932 ED1	69
422 162 811 932 ED5	69
422 912 93 WDL	71
422 99 01	65
424 01 00 00	98
424 01 03 01	98
424 01 06 01	98
424 01 06 06	98
424 02 00 00	98
424 02 03 01	98
424 113 02 921 ED8	19
424 113 02 922 ED8	19
424 113 02 923 ED8	19
424 113 02 931 ED8	19
424 113 02 932 ED8	19
424 113 02 933 ED8	19
424 113 04 921 ED8	19
424 113 04 922 ED8	19
424 113 04 923 ED8	19
424 113 04 931 ED8	19
424 113 04 932 ED8	19
424 113 04 933 ED8	19
424 211 03 922	11
424 211 03 923	11
424 211 03 932	11
424 211 03 933	11
424 211 06 922	11
424 211 06 923	11
424 211 06 932	11
424 211 06 933	11
424 213 02 921	15
424 213 02 922	15
424 213 02 923	15
424 213 02 931	15
424 213 02 932	15
424 213 02 933	15
424 213 04 921	15
424 213 04 922	15
424 213 04 923	15
424 213 04 931	15
424 213 04 932	15
424 213 04 933	15
424 222 04 921	13
424 222 04 922	13
424 222 04 923	13
424 222 04 931	13
424 222 04 932	13
424 222 04 933	13
424 242 02 92	16
424 242 02 93	16
424 242 06 92	17
424 242 06 93	17
424 242 08 92	17
424 242 08 93	17
424 242 12 92	17
424 242 12 93	17
424 512 04 00	13
424 512 04 921	13
424 512 04 922	13
424 512 04 923	13
424 512 04 931	13
424 512 04 932	13

REFERENCE	PAG
424 512 04 933	13
424 612 04 921 MDL	91
424 612 04 922 MDL	91
424 612 04 923 MDL	91
424 612 04 931 MDL	91
424 612 04 932 MDL	91
424 612 04 933 MDL	91
424 642 02 92 MDL	92
424 642 02 93 MDL	92
424 642 06 92 MDL	93
424 642 06 93 MDL	93
424 642 08 92 MDL	93
424 642 08 93 MDL	93
424 642 12 92 MDL	93
424 642 12 93 MDL	93
425 01 00 00	104
425 01 03 01	104
425 01 06 01	104
425 01 06 06	104
425 02 00 00	104
425 02 03 01	104
425 02 06 01	104
425 02 06 06	104
425 02 06 16	104
425 03 00 00	105
425 03 03 01	105
425 04 00 00	108
425 04 03 01	108
425 04 06 01	108
425 04 06 06	108
425 04 06 11	108
425 05 00 00	108
425 05 03 01	108
425 05 06 01	108
425 05 06 06	108
425 05 14 01	108
425 09 01	108
425 27 811 921	106
425 27 811 931	106
425 97 51	108
426 00 00	100
426 03 01	100
426 06 01	100
426 14 01	100
43 11 831	129
43 11 832	129
43 11 833	129
43 11 834	129
43 11 841	129
43 11 842	129
43 11 843	129
43 11 844	129
431 03 01	TEC 31
431 03 02	TEC 31
431 400 111 11	131
431 400 111 211	131
431 400 111 221	131
431 400 111 31	131
431 400 111 41	131
431 400 221 11	131
431 400 221 211	131
431 400 221 221	131
431 400 221 31	131
431 400 221 41	131
431 600 121 11	131
431 600 121 211	131
431 600 121 221	131
431 600 121 31	131

REFERENCE	PAG
431 600 121 41	131
431 600 321 11	131
431 600 321 211	131
431 600 321 221	131
431 600 321 31	131
431 600 321 41	131
431 99 01	131
471 111 811 921	27
471 111 811 931	27
471 151 811 921 MDL	94
471 151 811 931 MDL	94
471 221 922 ED8	29
471 221 932 ED8	29
471 222 922 ED8	29
471 222 932 ED8	29
471 321 00	30
471 321 1902 ED8	30
471 321 811 922 ED8	30
471 321 811 932 ED8	30
471 322 00	31
471 322 1902 ED8	31
471 322 811 922 ED8	31
471 322 811 932 ED8	31
472 121 811 921	43
472 121 811 931	43
472 122 811 921	43
472 122 811 931	43
472 123 811 921	43
472 123 811 931	43
472 221 01	43
472 221 922 ED8	43
472 221 932 ED8	43
472 222 01	43
472 222 922 ED8	43
472 222 932 ED8	43
472 321 00	45
472 322 00	45
472 331 00	45
472 361 00	33
472 362 00	47
473 01 00	36
473 03 01	TEC 31
473 03 04	TEC 31
473 111 811 922	36
473 111 811 932	36
473 111 821	36
473 111 831	36
473 112 811 922	36
473 112 811 932	36
473 131 811 922	38
473 131 811 932	38
473 131 812 922 ED1	41
473 131 812 932 ED1	41
473 131 821	38
473 131 831	38
473 132 811 922	38
473 132 811 932	38
473 151 821 MDL	95
473 151 831 MDL	95
473 152 811 922 MDL	95
473 152 811 932 MDL	95
473 211 811 922	37
473 211 811 932	37
473 211 821	37
473 211 831	37
473 212 811 922	37
473 212 811 932	37
473 231 811 922	39

REFERENCE	PAG
473 231 811 932	39
473 231 812 922 ED1	41
473 231 812 932 ED1	41
473 231 821	39
473 231 831	39
473 232 811 922	39
473 232 811 932	39
473 251 821 MDL	95
473 251 831 MDL	95
473 252 811 922 MDL	95
473 252 811 932 MDL	95

# INDEX

## FLEMISH GOLD & FLEMISH BRONZE

Following reference numbers are available in the new colours FG & FBR.

REFERENCE	NAME	PAG
232 111 00	MONTUR S O E27	INT 452
232 211 00	MONTUR M O E27	INT 453
232 321 00	MONTUR L O E27	INT 455
251 67 811 922 ED8	BOXY L+ LED 92733 DIM8	INT 269
251 67 811 922 WDL	BOXY L+ LED 92733 WDL	INT 269
251 67 811 932 ED8	BOXY L+ LED 93033 DIM8	INT 269
251 67 811 932 ED8	BOXY L+ LED 93033 DIM8	INT 269,EXT 781
251 67 811 932 WDL	BOXY L+ LED 93033 WDL	INT 269
251 67 812 922 ED8	BOXY 2 L+ LED 92733 DIM8	INT 269
251 67 812 932 ED8	BOXY 2 L+ LED 93033 DIM8	INT 269
251 67 812 932 ED8	BOXY 2 L+ LED 93033 DIM8	INT 269,EXT 781
251 70 811 922 ED8	BOXY R 92733 DIM8	INT 261
251 70 811 922 ED8	BOXY R 92733 DIM8	INT 261,EXT 769
251 70 811 922 WDL	BOXY R 92733 WDL	INT 261
251 70 811 932 ED8	BOXY R 93033 DIM8	INT 261
251 70 811 932 ED8	BOXY R 93033 DIM8	INT 261,EXT 769
251 70 811 932 WDL	BOXY R 93033 WDL	INT 261
274 87 2515	SUPERNOVA XS 260	INT 355
274 87 2515 ED1	SUPERNOVA XS 260 DIM1	INT 355
274 87 2515 ED5	SUPERNOVA XS 260 DIM5	INT 355
274 87 3224	SUPERNOVA XS 330	INT 355
274 87 3224 ED1	SUPERNOVA XS 330 DIM1	INT 355
274 87 3224 ED5	SUPERNOVA XS 330 DIM5	INT 355
286 70 27	METRANOME	INT 405
321 107 93	SUPERLOOP HC 70 SBL 930	INT 323
321 109 93	SUPERLOOP HC 90 SBL 930	INT 323
321 112 93	SUPERLOOP HC 120 SBL 930	INT 323
321 117 93	SUPERLOOP HC 170 SBL 930	INT 323
321 207 93	SUPERLOOP HC 70 SPR 930	INT 323
321 209 93	SUPERLOOP HC 90 SPR 930	INT 323
321 212 93	SUPERLOOP HC 120 SPR 930	INT 323
321 217 93	SUPERLOOP HC 170 SPR 930	INT 323
321 407 93	SUPERLOOP VR 70 SBL 930	INT 327
321 409 93	SUPERLOOP VR 90 SBL 930	INT 327
321 412 93	SUPERLOOP VR 120 SBL 930	INT 327
321 507 93	SUPERLOOP VC 70 SBL 930	INT 325
321 509 93	SUPERLOOP VC 90 SBL 930	INT 325
321 512 93	SUPERLOOP VC 120 SBL 930	INT 325
414 01 00	SPY TUBE	INT 109
414 02 00	SPY TUBE S	INT 032
414 03 00	MIDISPY TUBE	INT 139
414 04 00	MAXISPY TUBE	INT 311
414 08 00	MAXISPY 95 TUBE	INT 312
414 241 923	MIDISPY CLIP 92740	INT 139
414 241 933	MIDISPY CLIP 93040	INT 139
414 242 822	MIDISPY CLIP 82720	INT 139
414 242 832	MIDISPY CLIP 83020	INT 139
414 261 923	MIDISPY ON 92740	INT 299
414 261 933	MIDISPY ON 93040	INT 299
414 262 822	MIDISPY ON 82720	INT 299
414 262 832	MIDISPY ON 83020	INT 299
414 341 1902	SPY CLIP SOFT-9	INT 147
414 341 21 921	SPY CLIP HP 92733	INT 147
414 341 21 931	SPY CLIP HP 93033	INT 147
414 341 811 921	SPY CLIP 92718	INT 147
414 341 811 922	SPY CLIP 92733	INT 147
414 341 811 931	SPY CLIP 93018	INT 147
414 341 811 932	SPY CLIP 93033	INT 147
414 342 821	SPY CLIP 82715	INT 147
414 342 831	SPY CLIP 83015	INT 147
414 345 811 92	SPY FOCUS CLIP 927	INT 149
414 345 811 93	SPY FOCUS CLIP 930	INT 149
414 361 21 921	SPY ON HP 92733	INT 303
414 361 21 931	SPY ON HP 93033	INT 303
414 361 811 921	SPY ON 92718	INT 303
414 361 811 922	SPY ON 92733	INT 303
414 361 811 931	SPY ON 93018	INT 303
414 361 811 932	SPY ON 93033	INT 303

REFERENCE	NAME	PAG
414 362 821	SPY ON 82715	INT 303
414 362 831	SPY ON 83015	INT 303
414 365 811 92	SPY FOCUS ON 927	INT 305
414 365 811 93	SPY FOCUS ON 930	INT 305
418 361 21 921 MDL	SUPERLOOP-SPY ON HP 92733 MDL	INT 331,INT 333
418 361 21 931 MDL	SUPERLOOP-SPY ON HP 93033 MDL	INT 331,INT 333
418 361 811 921 MDL	SUPERLOOP-SPY ON 92718 MDL	INT 331,INT 333
418 361 811 922 MDL	SUPERLOOP-SPY ON 92733 MDL	INT 331,INT 333
418 361 811 931 MDL	SUPERLOOP-SPY ON 93018 MDL	INT 331,INT 333
418 361 811 932 MDL	SUPERLOOP-SPY ON 93033 MDL	INT 331,INT 333
418 365 811 92 MDL	SUPERLOOP-SPY FOCUS ON 927 MDL	INT 331,INT 333
418 365 811 93 MDL	SUPERLOOP-SPY FOCUS ON 930 MDL	INT 331,INT 333
418 481 07	SUPERLOOP HC 70 MDL	INT 331
418 481 09	SUPERLOOP HC 90 MDL	INT 331
418 481 12	SUPERLOOP HC 120 MDL	INT 331
418 481 17	SUPERLOOP HC 170 MDL	INT 331
421 132 271 923 MDL	M20/M26 - MIDISPY 92740 MDL	PRO 584
421 132 271 933 MDL	M20/M26 - MIDISPY 93040 MDL	PRO 584
421 132 272 822 MDL	M20/M26 - MIDISPY 82720 MDL	PRO 584
421 132 272 832 MDL	M20/M26 - MIDISPY 83020 MDL	PRO 584
421 138 271 923 MDL	M52 - MIDISPY 92740 MDL	PRO 593
421 138 271 933 MDL	M52 - MIDISPY 93040 MDL	PRO 593
421 138 272 822 MDL	M52 - MIDISPY 82720 MDL	PRO 593
421 138 272 832 MDL	M52 - MIDISPY 83020 MDL	PRO 593
421 142 21 921 MDL	M20/M26 - SPY HP 92733 MDL	PRO 585
421 142 21 931 MDL	M20/M26 - SPY HP 93033 MDL	PRO 585
421 142 811 921 MDL	M20/M26 - SPY 92718 MDL	PRO 585
421 142 811 922 MDL	M20/M26 - SPY 92733 MDL	PRO 585
421 142 811 931 MDL	M20/M26 - SPY 93018 MDL	PRO 585
421 142 811 932 MDL	M20/M26 - SPY 93033 MDL	PRO 585
421 148 21 921 MDL	M52 - SPY HP 92733 MDL	PRO 595
421 148 21 931 MDL	M52 - SPY HP 93033 MDL	PRO 595
421 148 811 921 MDL	M52 - SPY 92718 MDL	PRO 595
421 148 811 922 MDL	M52 - SPY 92733 MDL	PRO 595
421 148 811 931 MDL	M52 - SPY 93018 MDL	PRO 595
421 148 811 932 MDL	M52 - SPY 93033 MDL	PRO 595
421 152 811 92 MDL	M20/M26 - SPY FOCUS 927 MDL	PRO 585
421 152 811 93 MDL	M20/M26 - SPY FOCUS 930 MDL	PRO 585
421 158 811 92 MDL	M52 - SPY FOCUS 927 MDL	PRO 595
421 158 811 93 MDL	M52 - SPY FOCUS 930 MDL	PRO 595



**Manufacturer Delta Light® nv**

**Product Design - Research - Development:** Delta Light® Team & Nice 2C  
**Coordination - Concept:** Delta Light® Team & Nice 2C  
**Graphic Design - Realisation:** Delta Light® Team & Nice 2C

Finally, to everyone who contributed in some way to the realisation of The Lighting Bible® 12 NEW COLLECTION... **Thanks.**

Copyright © Delta Light® nv  
03-2018 - First Edition

DOC GE / 395

Made in Belgium

For the latest edition of the Lighting Bible®, please visit **[www.deltalight.com](http://www.deltalight.com)**

All information in this catalogue is provided for information purposes only and Delta Light® NV makes no representations about the accuracy or completeness of the information in this catalogue. Delta Light® NV may, in its sole discretion, revise the information and technical data contained herein at any time without notice. The catalogue does not contain any guarantee on the Delta Light® NV products nor any warranty of merchantability or fitness for a particular purpose or use. All Delta Light® products are supplied without lamps and any lamp data is given as a mere example.

The general terms & conditions of Delta Light® NV shall be applicable on each sale of a Delta Light® product. Any trademarks, texts, images, graphics, designs and other information in this catalogue are the sole property and subject to the intellectual property rights of Delta Light® NV and may not be copied, modified or used for any purpose without Delta Light®'s prior written consent.



# A FAMILY BUSINESS

Delta Light®'s success is built on the determination, passion and talent of our global team.  
We hereby **thank** all our colleagues and partners for their invaluable work.

The lighting industry is evolving and growing at very high speed.  
As a family run business we have a personal stake in keeping our clients happy.  
As such we are committed to making a difference through original designs,  
outstanding service levels, eye for detail and personal contact, striving to be the best in all we do.

Our product development process is based on a combination of creativity and technological innovation.  
It's our mission to present the world a portfolio of lighting solutions that satisfy people's desires and needs,  
creating a perfect symbiosis between architecture, function and atmosphere.



# WORLD WIDE



For additional product information,  
technical downloads, project inspiration,  
contact details and much more... please go to  
**[www.deltalight.com](http://www.deltalight.com)**

Whether you access the site via your desktop  
computer or mobile device, an inspiring  
platform opens up with up-to-date content,  
exciting images, extensive product information,  
upgraded user experience...  
all in a fresh look & feel.

The **product search engine** will quickly guide  
you to the right product page, where you can  
download 3D files, Revit files, product data  
sheets, manual, IES files and drawings.

The **My Delta Light® Toolbox**  
helps you to quickly collect, save, download  
and share images and product information.  
Start creating your personal shortlists and  
share them with your partner, client, architect,  
electrical installer or other people involved in  
your project. You are free to use this feature  
without login, or you can register to save and  
edit multiple pinlists.

If you are looking for a contact person in your  
region or country please go to  
**[www.deltalight.com/contact](http://www.deltalight.com/contact)**

**Enjoy your visit.**

# HQ

**Headquarters**  
**Delta Light® nv**  
Muizelstraat 2  
B-8560 Wevelgem (Moorsele)  
Belgium  
T +32 (0)56 435 735  
F +32 (0)56 435 736  
info@deltalight.com  
www.deltalight.com

# OFFICES

**Asia**  
**Delta Light Asia**  
asia@deltalight.com  
www.deltalight.asia  
**Southeast Asia**  
T +65 9832 3753  
**Hong Kong – Macau - North East Asia**  
T +66 980 165 965  
**China**  
T +86 138 1070 8782

**France**  
**Delta Light SAS**  
T +33 (0)9 70 73 52 42  
T +33 (0)9 70 73 52 43  
france@deltalight.com  
www.deltalight.fr

**Latin America**  
**Delta Light Latin America**  
M +32 492 724 070  
latin@deltalight.com  
www.deltalight-latin.com

**Colombia**  
T +57 1 749 5307  
M +57 321 202 5501  
colombia@deltalight.com

**Mexico**  
M +52 1 55 7391 6933  
mexico@deltalight.com

**Russia, Eastern Europe, Middle Asia**  
**Delta Light REEMA**  
reema@deltalight.com  
www.deltalight.ru

**Moscow**  
T +7 926 167 76 98  
**Saint-Petersburg**  
T +7 921 79 183 88

**The Netherlands**  
**Delta Light Nederland B.V.**  
T +31 (0)88 80 40 600  
F +31 (0)88 80 40 699  
netherlands@deltalight.com  
www.deltalight.nl

**Belgium / Luxembourg**  
**Delta Light® nv**  
T +32 (0)56 435 735  
F +32 (0)56 435 736  
belux@deltalight.com  
www.deltalight.be

**Germany / Austria**  
**Delta Line + Light GmbH**  
T +49 (0)2451 4090-0  
F +49 (0)2451 4090-200  
germany@deltalight.com  
www.deltalight.de

**Middle East & North Africa**  
**Delta Light Mena**  
T +961 1 491 175  
mena@deltalight.com  
www.deltalight-mena.com

**Dubai**  
**Delta Light EMEA**  
T +971 52 530 35 90

**Slovakia**  
**Delta Light Slovakia s.r.o.**  
T +421 2 6353 0180  
F +421 2 6353 0181  
slovakia@deltalight.com  
www.deltalight.sk

**United Kingdom**  
**Delta Light UK LTD**  
T +44 (0)20 7960 5030  
www.deltalight.co.uk

**Canada**  
**Delta Light Canada Inc.**  
T +1 905 813 6130  
F +1 289 805 7388  
canada@deltalight.com  
www.deltalight.ca

**India**  
**Delta Light India**  
T +91 8130 33 88 17  
india@deltalight.com  
www.deltalight.com

**Poland**  
**Delta Light Poland**  
T +48 698 33 00 03  
poland@deltalight.com  
www.deltalight.pl

**Spain**  
**Iluminación Delta Light España S.A.**  
T +34 (0)93 586 19 00  
F +34 (0)93 697 95 00  
spain@deltalight.com  
www.deltalight.es

**USA**  
**Delta Light USA, LLC.**  
T +1 (954) 677 9800  
F +1 (954) 677 1007  
usa@deltalight.com  
www.deltalight.us

**New York**  
T +1 (646) 709 5605  
nyc@deltalight.us

**Los Angeles**  
T +1 (213) 509 2580  
la@deltalight.us

**Chicago**  
T +1 (646) 709-5605  
chicago@deltalight.us

**Czech Republic**  
**Delta Light Czech s.r.o.**  
T +420 241 740 775  
F +420 241 740 776  
czech@deltalight.com  
www.deltalight.cz

**Italy**  
**Delta Light Italia S.r.l.**  
T +39 0 571 82226  
T +39 0 571 93541  
F +39 0 571 83594  
italy@deltalight.com  
www.deltalight.it

**Switzerland**  
**Delta Light AG**  
T +41 (0)61 485 99 10  
F +41 (0)61 485 99 11  
switzerland@deltalight.com  
www.deltalight.ch

[deltalight.com/contact](http://deltalight.com/contact)







DELTA LIGHT®