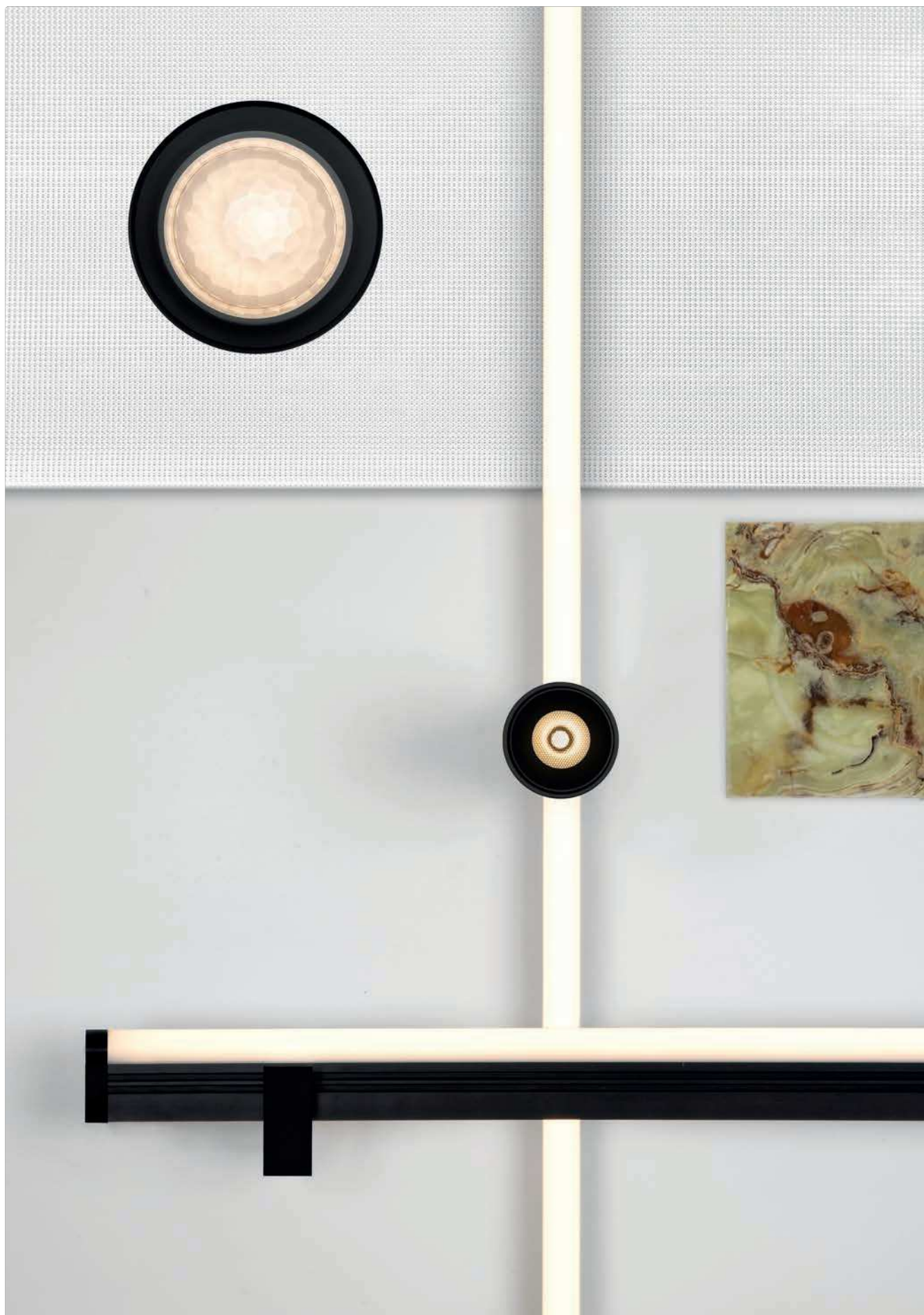


kreon novelties



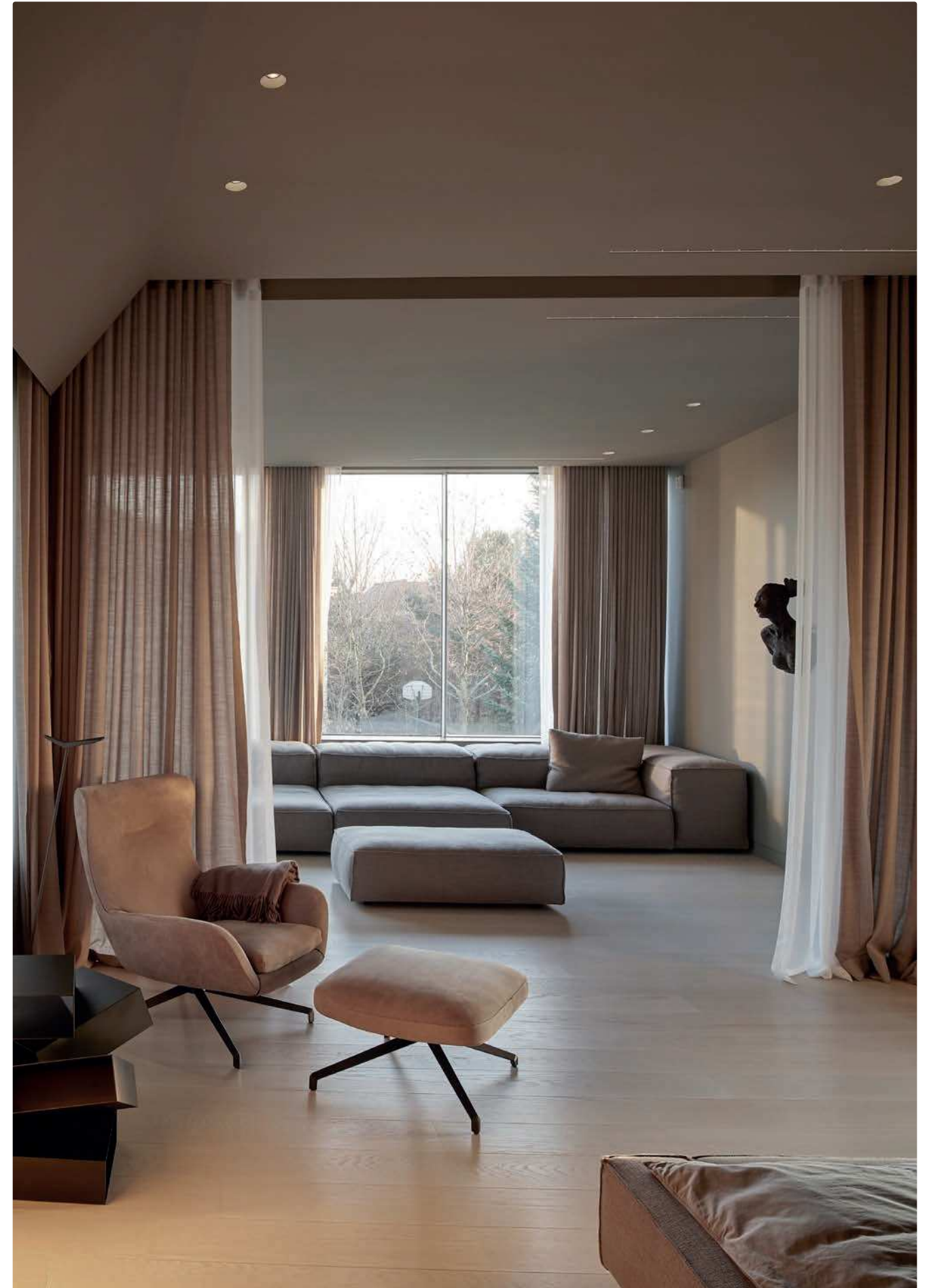
**kreon novelties 20-21**

**English version**

novelties	aplis 60	42
	aplis 80 high efficiency	46
	aplis in-line 80 high efficiency	50
	dolma track	54
	down 60	62
	down 80 high efficiency	66
	down in-line 80 high efficiency	70
	inti	74
	kagi	78
	raga	90
	side	94
	stripe	102
product upgrades	holon 40 LFO	108
	holon 40 book	108
	onn-wall	116
	side in-line 25	120
	up 40 baffle	124
	up 80 (gen. 2)	124
	up in-line 80 (gen. 2)	130
	wabi wall	134
kreon offices		138



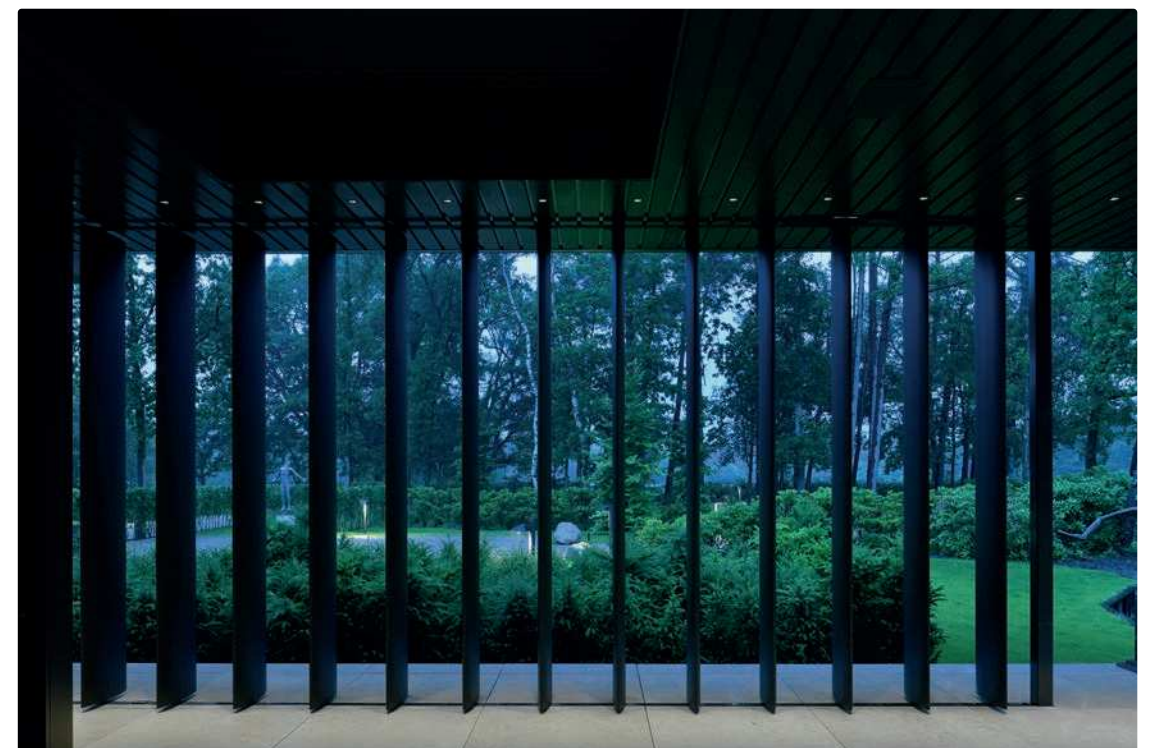


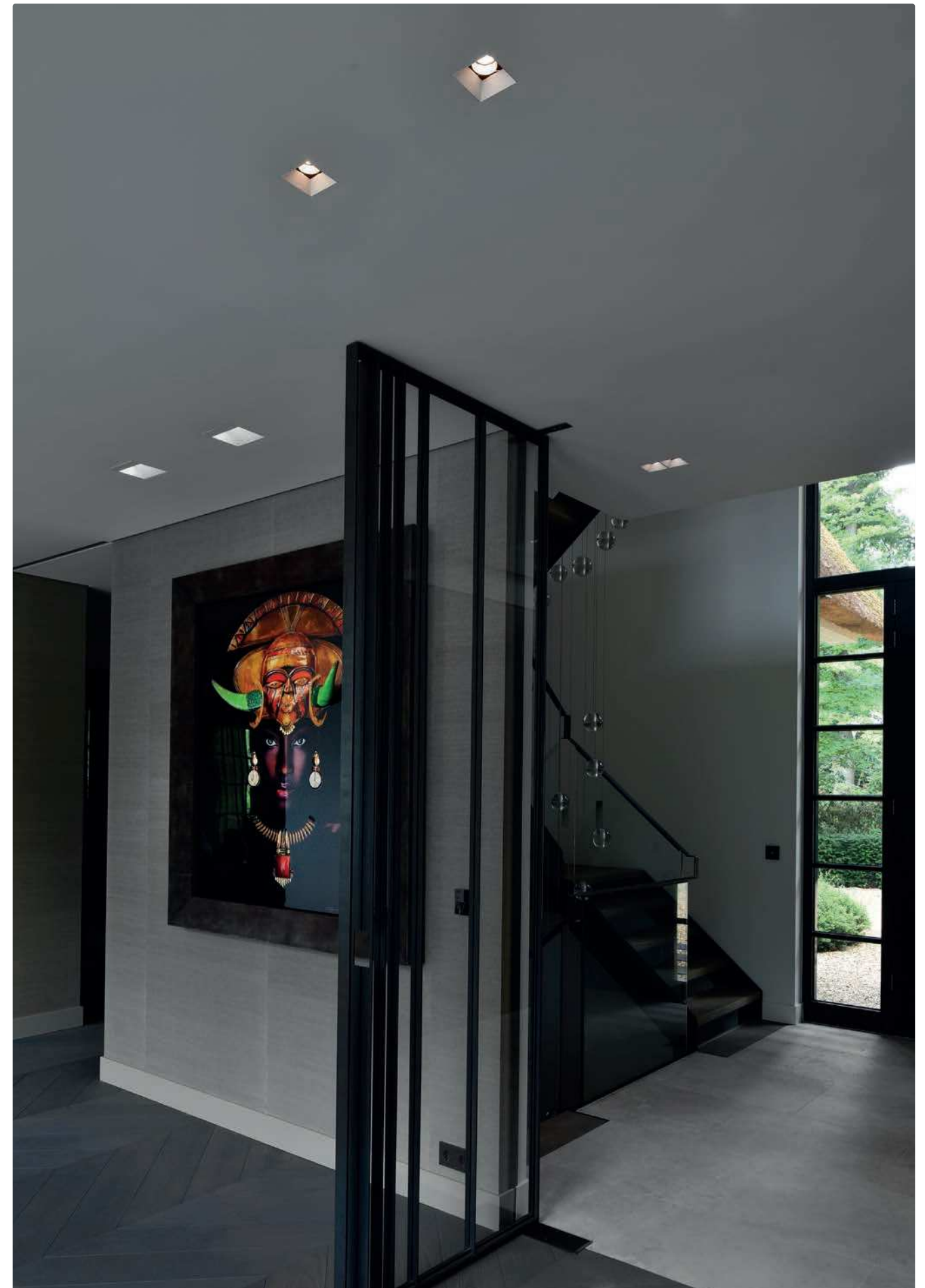




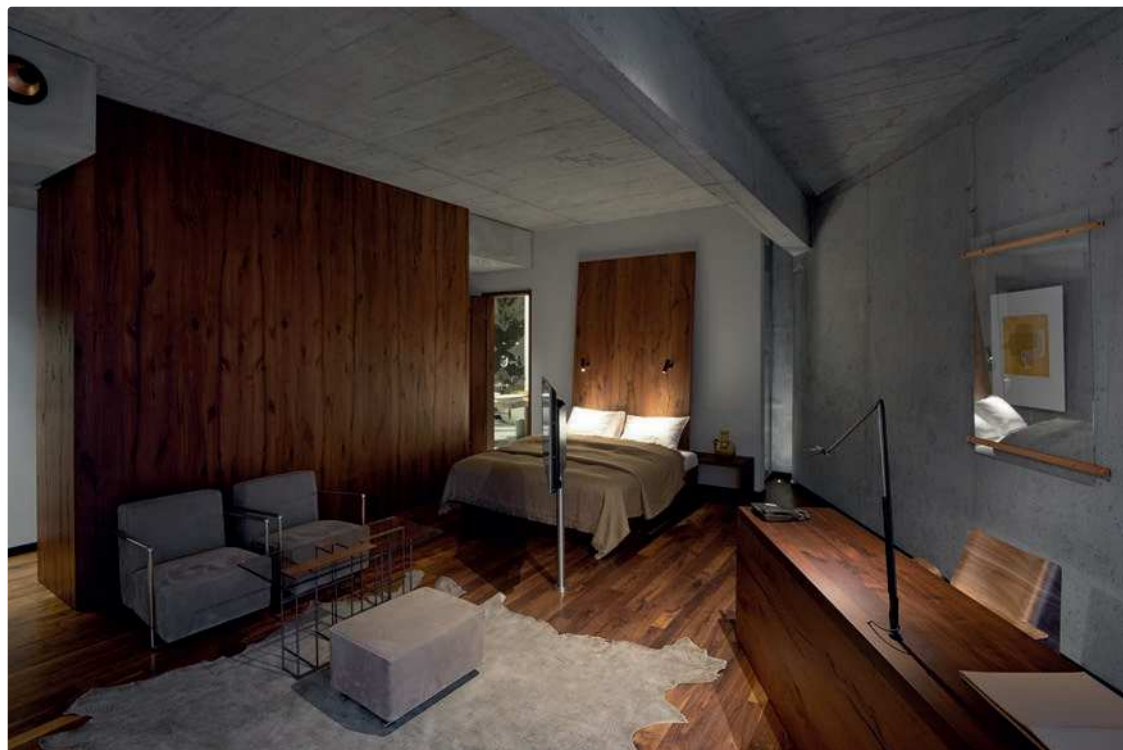




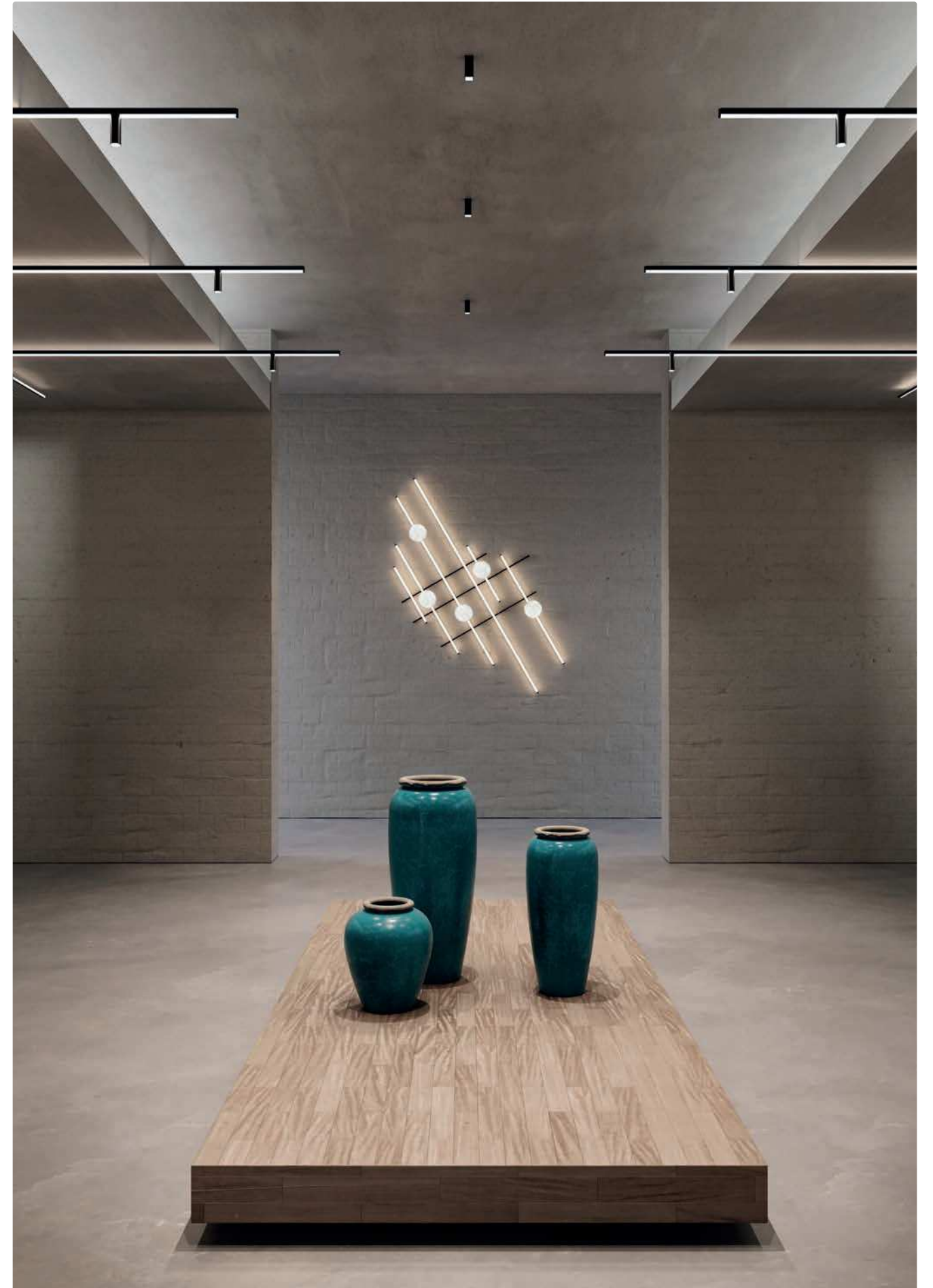


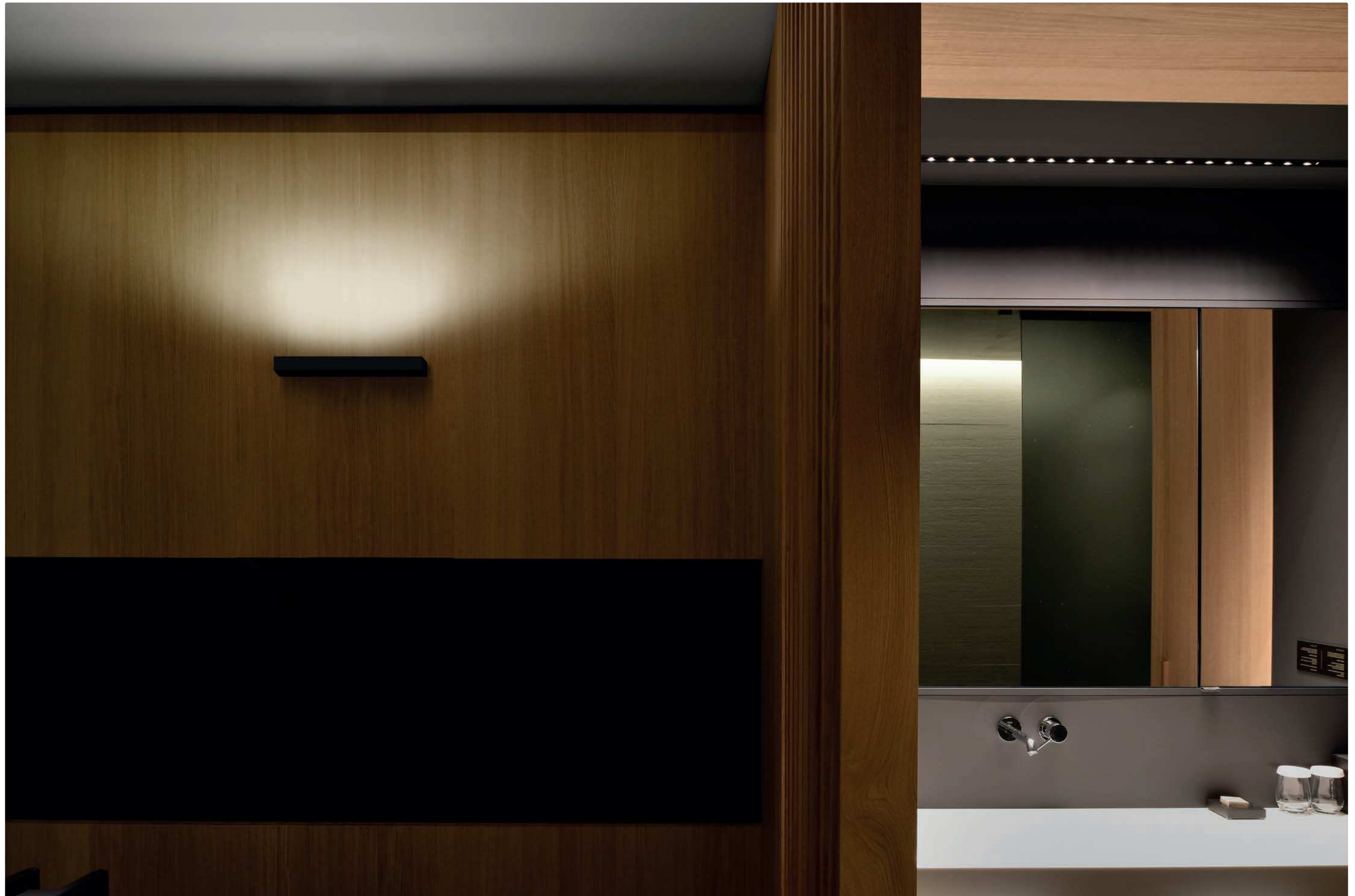






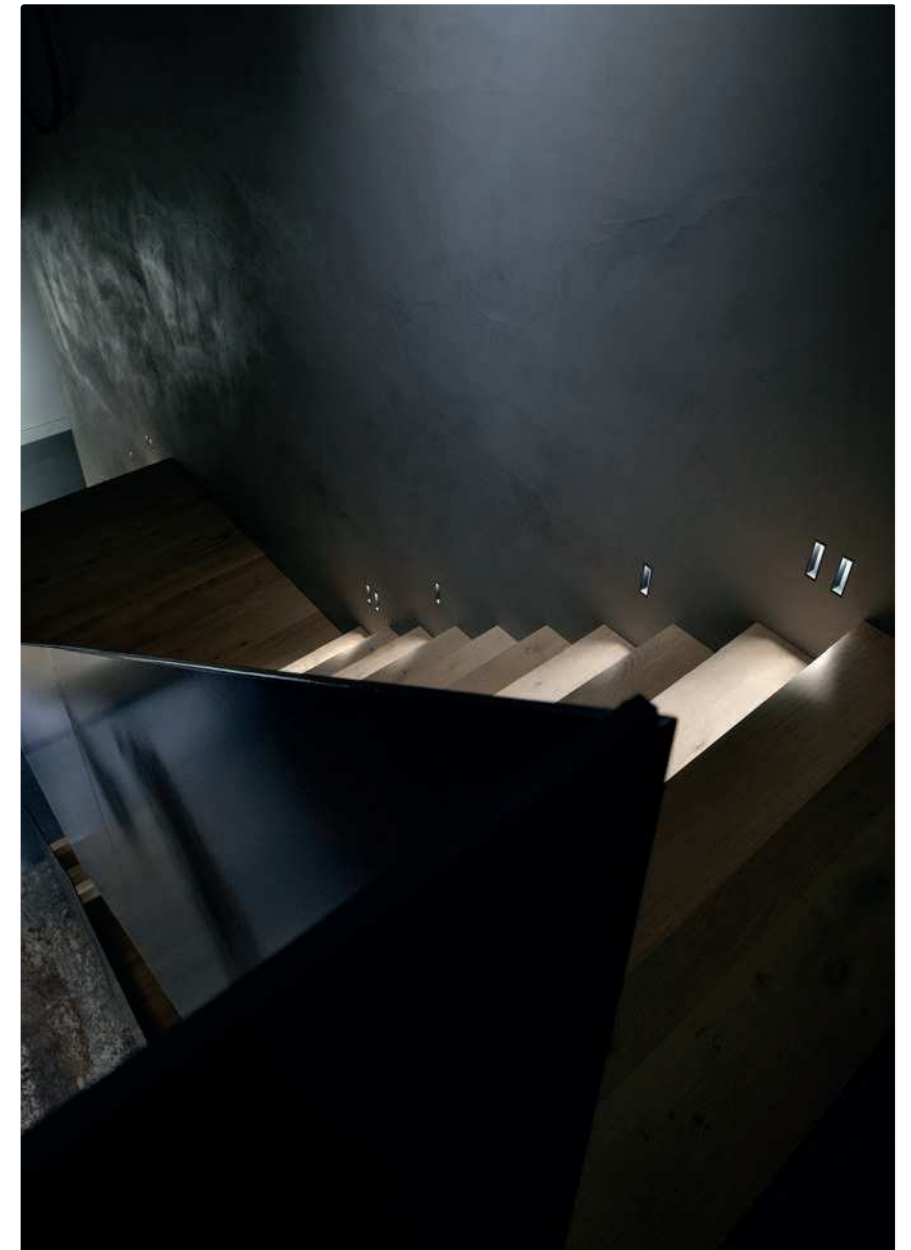




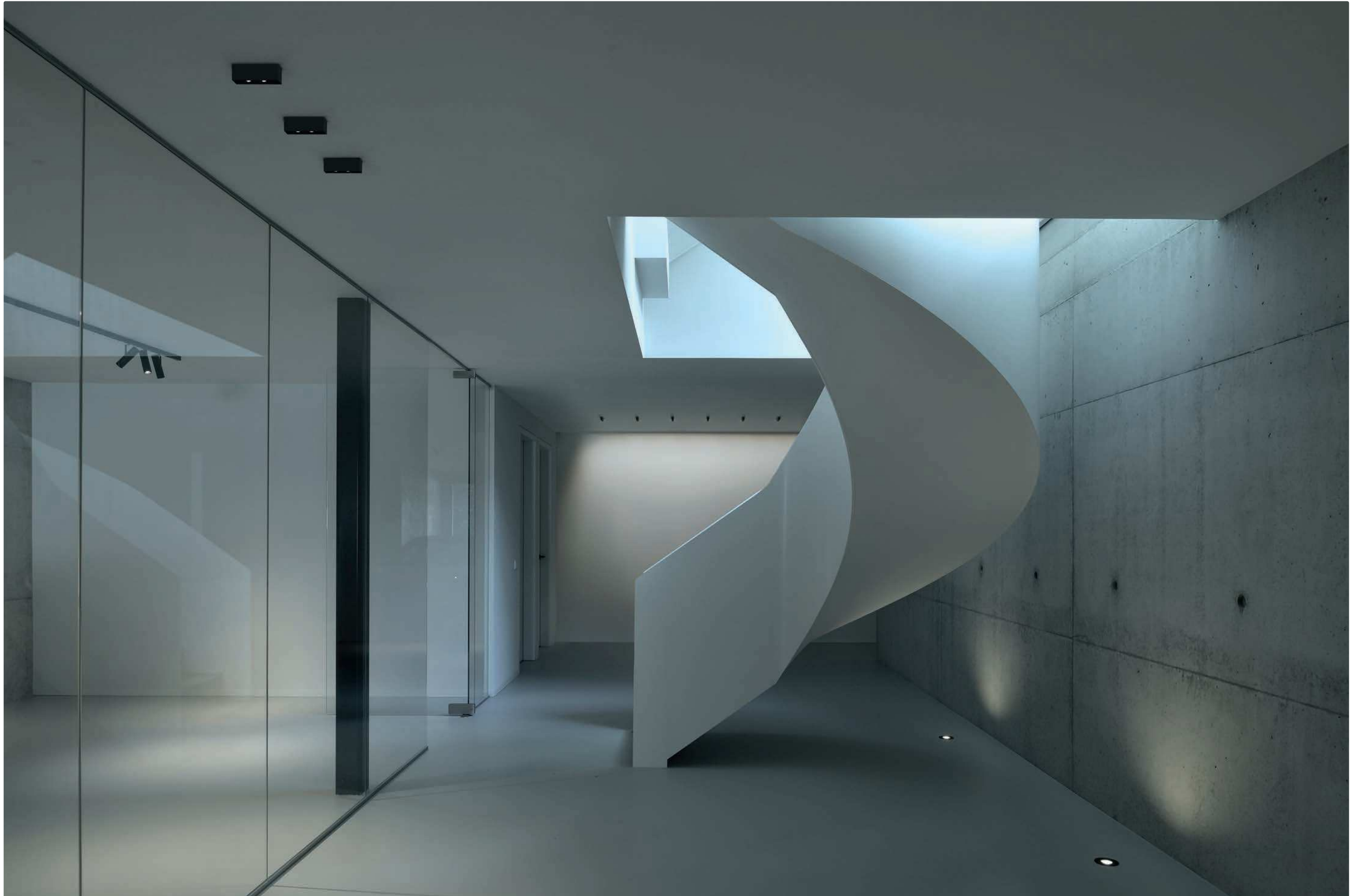


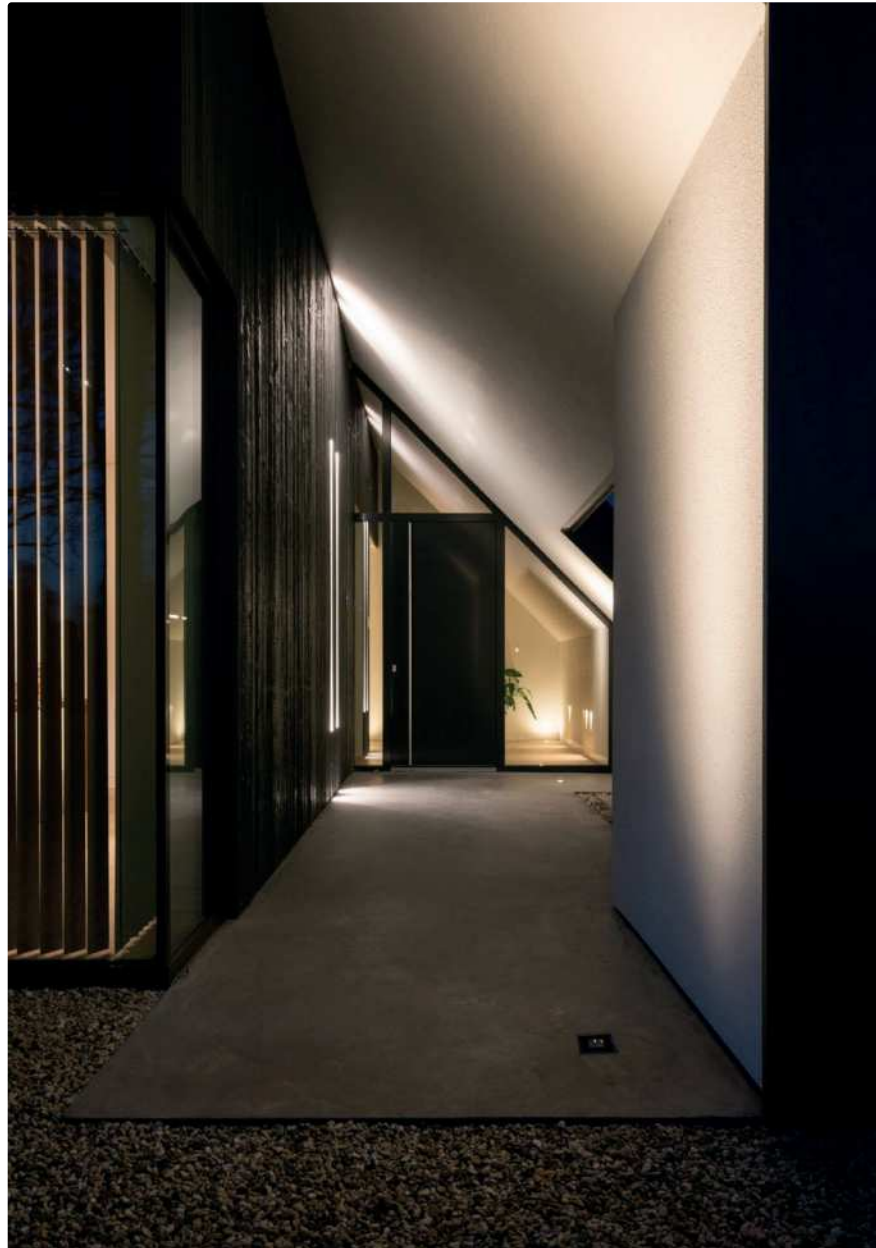




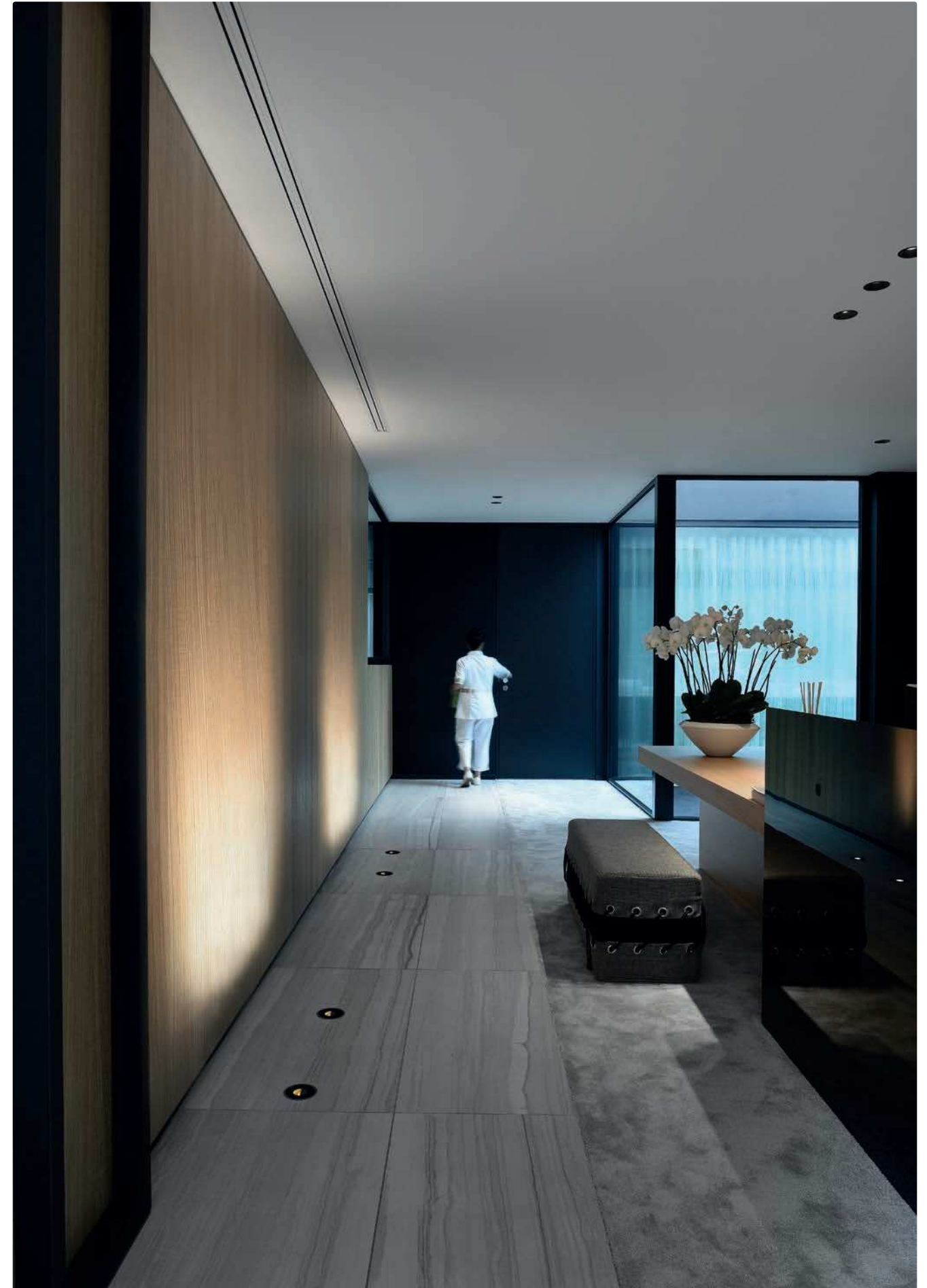








Project Private residence  
Location Peize, the Netherlands  
  
Architect Maas Architecten  
Photographer Arne Jennard





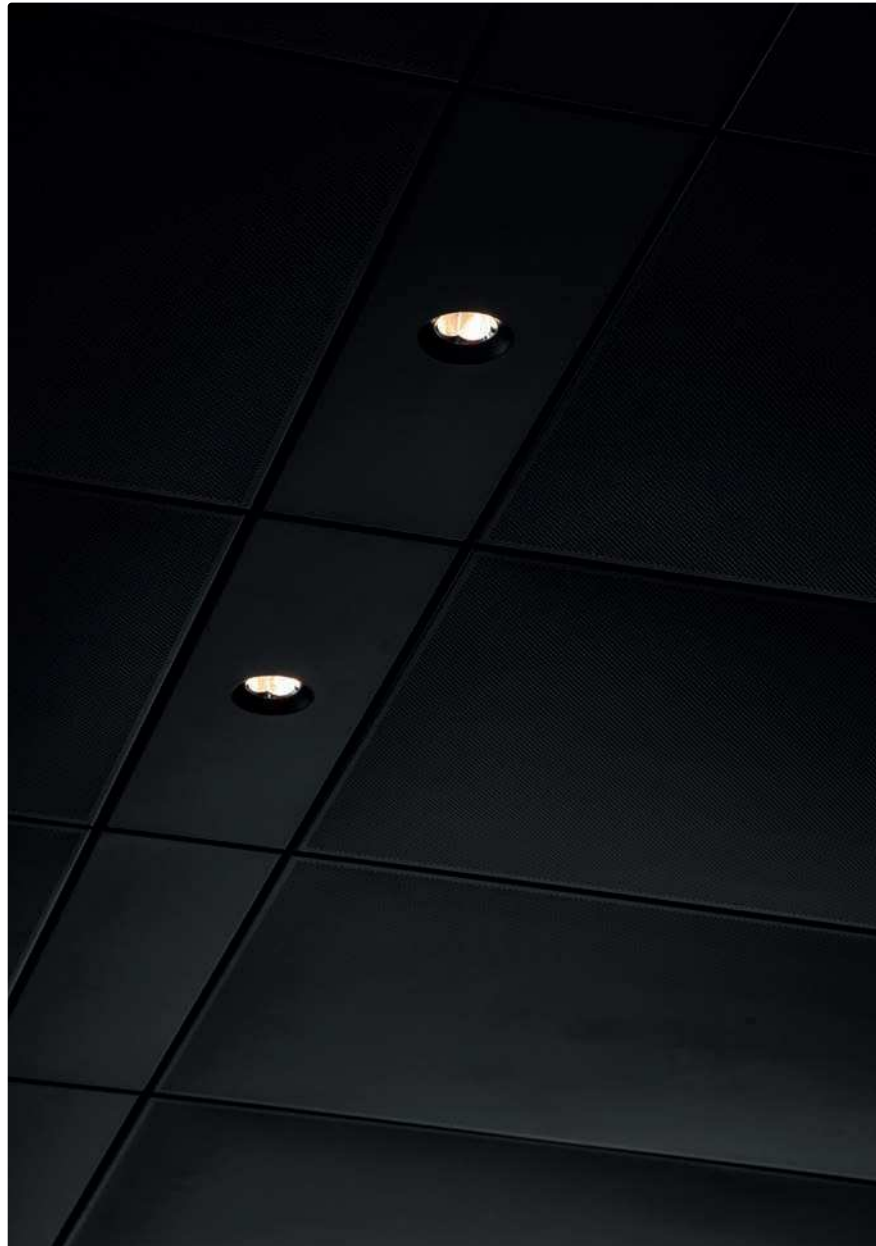


# kreon aplis 60

kreon aplis 60 is a new range of round shaped recessed downlights with an aperture of 60mm.

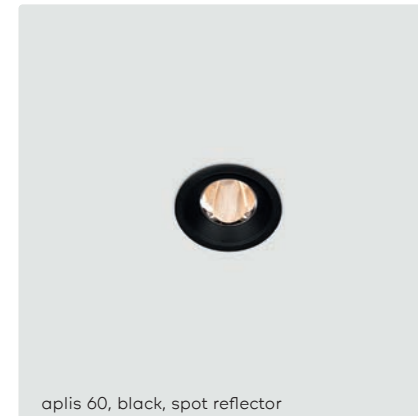
Equipped with the newest high performance faceted reflector in a fixed downlight or wallwash luminaire they offer optimal efficiency and uniformity.

High lumen output can be generated out of a discreet aperture. The light emission in the primary beam of the downlight is precise and sharp without any diffusion.



The combination of a flood optic with  $UGR < 19$  and a tunable white 2700K to 5000K makes kreon aplis 60 a perfect tool to bring general lighting in an office space, while the wide flood downlight makes it possible to illuminate spaces efficiently with a minimum of luminaires.

The powerful wallwasher ensures uniform light distribution with high lux values on vertical surfaces.



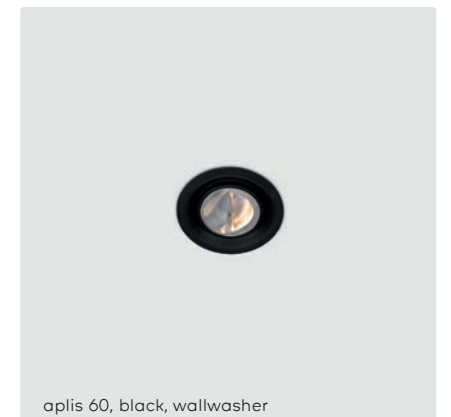
aplis 60, black, spot reflector



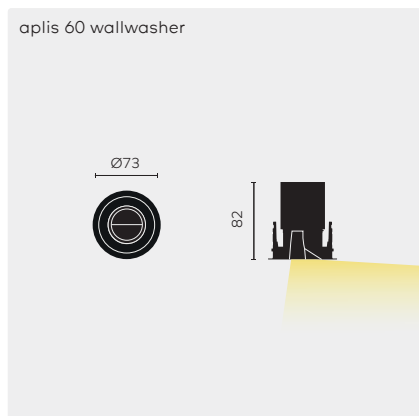
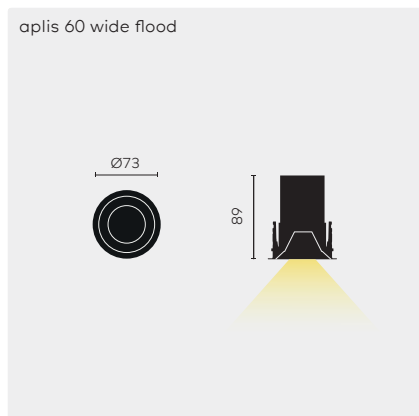
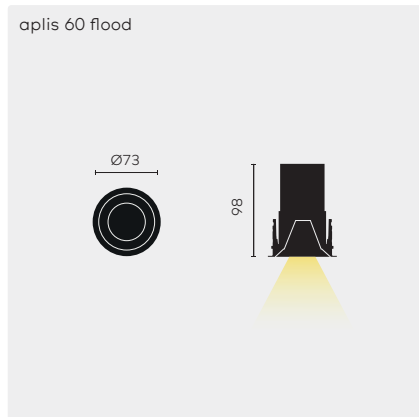
aplis 60, white, flood reflector



aplis 60, white, wide flood reflector



aplis 60, black, wallwasher



**aplis 60 downlight spot**  
 Ø 68 D 122 (SP) ⚡  
 Gear: excl., IP20

**aplis 60 downlight flood & wide flood**  
 Ø 68 D 108 (FL) / 99 (WFL) ⚡  
 Gear: excl., IP20

**aplis 60 wallwasher**  
 Ø 68e D 92 ⚡  
 Gear: excl., IP20

■ **Optional accessories**

Driver 300mA (SP, wallwasher) ①

**KR747464** LED driver, 300mA, ON/OFF, 16W

**KR747562** LED driver, 300mA, 1-10V, 15W

**KR747666** LED driver, 300mA, DALI, 16W

Driver 350mA (FL, WFL) ②

**KR747064** LED driver, 350mA, ON/OFF, 19W

**KR747162** LED driver, 350mA, 1-10V, 18W

**KR747266** LED driver, 350mA, DALI, 15W

Driver 300mA (tunable white)

**KR747766** LED driver, tunable white, 300mA, DALI-2 DT8, 50W ①

Colour	KR-code	Light sources	9027 2700K, CRI90+	9030 3000K, CRI90+	TW tunable white (2700K-5000K), CRI90+	SP spot (34°)	FL flood (54°)	WFL wide flood (69°)	Optional accessories
--------	---------	---------------	-----------------------	-----------------------	---	------------------	-------------------	-------------------------	----------------------

○	<b>KR937361</b>	①	●	●	●	●			■
●	<b>KR937362</b>	①	●	●	●	●			■
○	<b>KR937371</b>	②	●	●	●		●	●	■
●	<b>KR937372</b>	②	●	●	●		●	●	■
○	<b>KR937561</b>	③	●	●					■
●	<b>KR937562</b>	③	●	●					■

		CRI	CCT	Wattage	Drive current	Fixture lumen
①	LED (SP)	CRI90+	2700K/3000K	9,9W	300mA	717lm
			2700K-5000K	2x12W		905lm
②	LED (FL)	CRI90+	2700K/3000K	12W	350mA	1037lm
			2700K-5000K	2x12W	300mA	890lm
	LED (WFL)	CRI90+	2700K/3000K	12W	350mA	1088lm
			2700K-5000K	2x12W	300mA	933lm
③	LED (WW)	CRI90+	2700K/3000K	9,9W	300mA	807lm

**REMARKS**

① Driver does not fit through the installation hole and must be placed on remote.

IP20



# kreon aplis 80 high efficiency

kreon aplis 80 HE integrates the newest high efficient faceted optics as an extension to the existing kreon aplis 80 directional range.

Combined with a light designers preferred LED module it creates high efficient pools of light on horizontal surfaces or dramatic scaloping effects on verticals with excellent colour rendering.



The deep recessed light source with the diligent engineered optic ensure a high glare control for visual comfort.

kreon aplis 80 HE is 30° adjustable to spotlight every detail in a light scene.

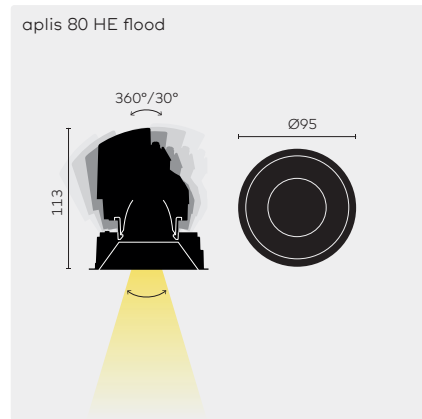
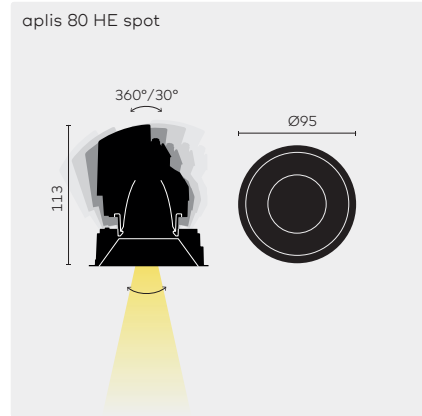


aplis 80 HE, black



aplis 80 HE, white

# kreon aplis 80 high efficiency



**aplis 80 HE directional spot**  
 ⌀ 90 D 120  
 Gear: excl., IP40

**aplis 80 HE directional flood**  
 ⌀ 90 D 120  
 Gear: excl., IP40

■ **Optional accessories**

Plasterkit concrete

**KR737702** Plasterkit for concrete installation

Driver for ①

**KR747464** LED driver, 300mA, 16W, ON/OFF

**KR747562** LED driver, 300mA, 15W, 1-10V

**KR747666** LED driver, 300mA, 16W, DALI

Driver for ②

**KR747064** LED driver, 350mA, 18W, ON/OFF

**KR747162** LED driver, 350mA, 15W, 1-10V

**KR747266** LED driver, 350mA, 15W, DALI

Colour louvre  
 KR-code  
 Light sources  
**9027**  
 2700K, CRI90+  
**9030**  
 3000K, CRI90+  
**SP**  
 spot (30°)  
**FL**  
 flood (50°)  
 Optional accessories

○	<b>KR937021</b>	①	●	●	●	■
●	<b>KR937022</b>	①	●	●	●	■
○	<b>KR937121</b>	②	●	●	●	■
●	<b>KR937122</b>	②	●	●	●	■

		CRI	CCT	Wattage	Drive current	Fixture lumen
①	LED	CRI90+	2700K/3000K	9,9W	300mA	736lm
②	LED	CRI90+	2700K/3000K	12W	350mA	995lm

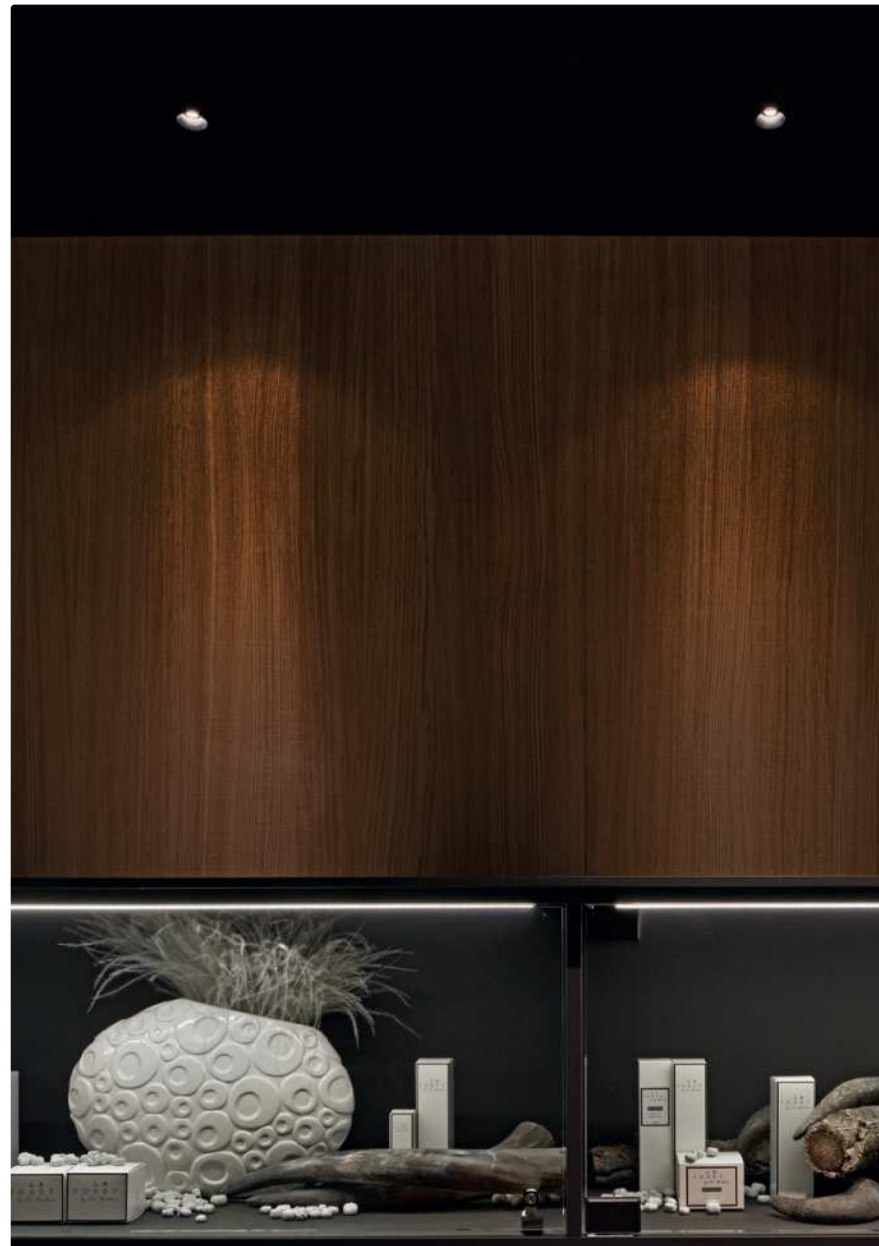
**REMARKS**

Thickness boardmaterial:  
 9-26mm  
 Gear excluded  
 IP40

# kreon aplis in-line 80 high efficiency

kreon aplis in-line 80 HE integrates the newest high efficient faceted optics as an extension to the existing kreon aplis in-line 80 directional range.

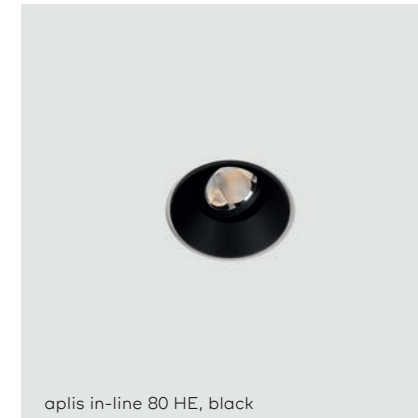
Combined with a light designers preferred LED module it creates high efficient pools of light on horizontal surfaces or dramatic scaloping effects on verticals with excellent colour rendering.



The deep recessed light source with the diligent engineered optic ensure a high glare control for visual comfort.

kreon aplis in-line 80 HE is 30° adjustable to spotlight every detail in a light scene.

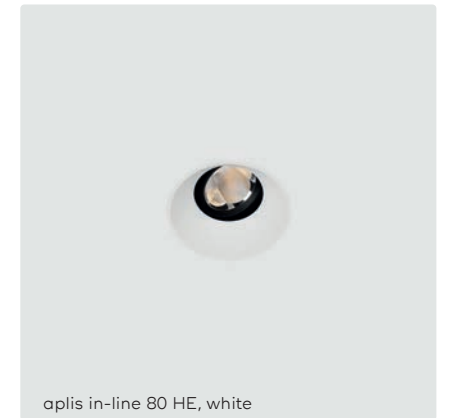
The trimless installation of this in-line recessed downlight blends the downlight seamlessly into the ceiling surface.



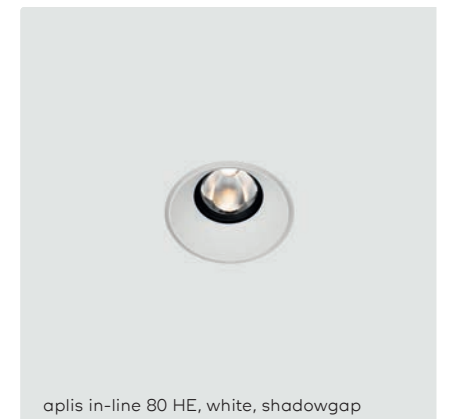
aplis in-line 80 HE, black



aplis in-line 80 HE, black, shadowgap

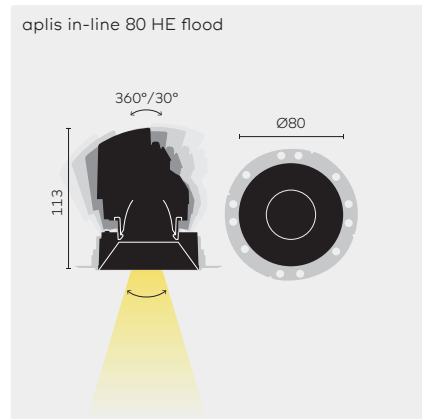
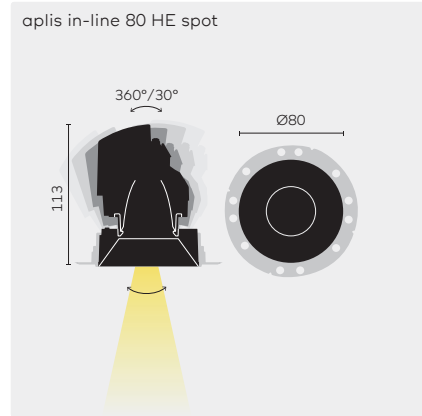


aplis in-line 80 HE, white



aplis in-line 80 HE, white, shadowgap

# kreon aplis in-line 80 high efficiency



**aplis in-line 80 HE directional spot**  
 ⌀ 102 D 120  
 Gear: excl., IP40

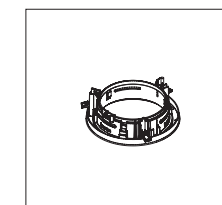
**aplis in-line 80 HE directional flood**  
 ⌀ 102 D 120  
 Gear: excl., IP40

	KR-code	Light sources	9027 2700K, CRI90+	9030 3000K, CRI90+	SP spot (30°)	FL flood (50°)	Required accessories	Optional accessories
	<b>KR917023</b>	①	●	●	●		■	■
	<b>KR917123</b>	②	●	●		●	■	■
<b>■ Required accessories</b>								
Plasterkit	<b>KR717104</b>	Plasterkit, no shadowgap						
	<b>KR717108</b>	Plasterkit, shadowgap						
Plasterkit concrete	<b>KR717101</b>	Plasterkit for concrete installation, no shadowgap (430x430)						
	<b>KR717102</b>	Plasterkit for concrete installation, no shadowgap, small (200x200)						
	<b>KR717109</b>	Plasterkit for concrete installation, shadowgap (430x430)						
	<b>KR717107</b>	Plasterkit for concrete installation, shadowgap, small (200x200)						
Louvre	<b>KR717106</b>	Louvre, white						
	<b>KR717122</b>	Louvre, black						
	<b>KR717105</b>	Louvre, gun black						
	<b>KR717103</b>	Louvre, red satin copper						
<b>■ Optional accessories</b>								
Driver for ①	<b>KR747464</b>	LED driver, 300mA, 16W, ON/OFF						
	<b>KR747562</b>	LED driver, 300mA, 15W, 1-10V						
	<b>KR747666</b>	LED driver, 300mA, 16W, DALI						
Driver for ②	<b>KR747064</b>	LED driver, 350mA, 18W, ON/OFF						
	<b>KR747162</b>	LED driver, 350mA, 15W, 1-10V						
	<b>KR747266</b>	LED driver, 350mA, 15W, DALI						
Distance ring (for plasterkit concrete)	<b>KR717307</b>	Distance ring 2mm (set of 5 pcs.)						
	<b>KR717308</b>	Distance ring 3mm (set of 5 pcs.)						
	<b>KR717309</b>	Distance ring 5mm (set of 5 pcs.)						

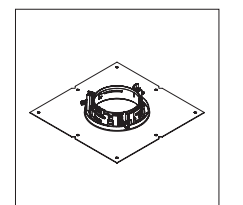
	CRI	CCT	Wattage	Drive current	Fixture lumen
① LED	CRI90+	2700K/3000K	9,9W	300mA	736m
② LED	CRI90+	2700K/3000K	12W	350mA	995lm

**REMARKS**  
 Thickness boardmaterial:  
 9-26mm  
 Gear excluded  
 IP40

Plasterkit



Plasterkit concrete



# kreon dolma track

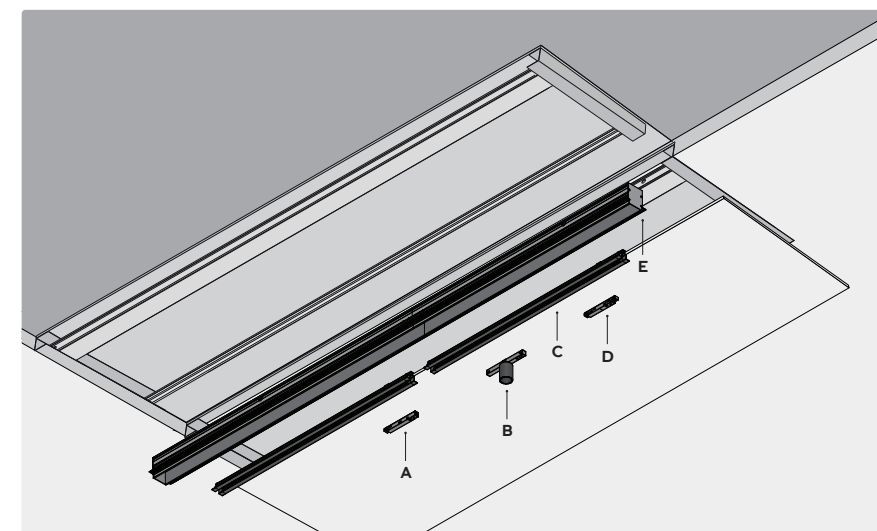
kreon dolma 40 with integrated 48Vdc magnetic track is a new made-to-measure profile that creates functional light through the discrete presence of simple architectural volumes.

The cylindrical kreon holon or cubical kreon prologe luminaires protrude slightly from the recessed profile housing. These low voltage track modules, in single or double, are available as a downlight for general lighting or as a wallwash for vertical illuminance.

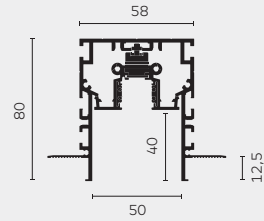


Additionally, other kreon 48Vdc track luminaires such as kreon lini 10 and kreon diapason 40 fit on the kreon dolma 40 track. The system allows a combination of modules for direct, indirect and linear lighting, a perfect way to enhance the spacial feeling of the room.

kreon dolma 40 track demonstrates how architecture can be defined by light and turns the ceiling into a flexible architectural playground.



dolma 40 track profile



**dolma 40 track profile**  
 Min. depth: 80mm, thickness boardmaterial: 12,5mm  
 Length is made-to-measure, max. 6m

### Required accessories

48Vdc track


Feed connector

### Optional accessories

Corner cut

Power supply

Connectors

Cutting tool 

Colour  
 KR-code  
 Required accessories  
 Optional accessories

KR745201  
 KR745202

KR745401 48Vdc track, 1m, white  
 KR745402 48Vdc track, 1m, black  
 KR745501 48Vdc track, 2m, white  
 KR745502 48Vdc track, 2m, black  
 KR745601 48Vdc track, 3m, white  
 KR745602 48Vdc track, 3m, black

KR746511 End feed connector, white  
 KR746512 End feed connector, black

KR765501 90° corner cut dolma track, white  
 KR765502 90° corner cut dolma track, black  
 KR765601 48Vdc track, corner cut 90°, white  
 KR765602 48Vdc track, corner cut 90°, black


KR790473 Power supply, 48Vdc, 30W  
 KR790474 Power supply, 48Vdc, 60W  
 KR790475 Power supply, 48Vdc, 100W  
 KR790476 Power supply, 48Vdc, 240W

KR746531 Straight connector electrical, white  
 KR746532 Straight connector electrical, black  
 KR746611 Corner track L-connector, white  
 KR746612 Corner track L-connector, black

KR746920 Cutting tool for track conductors

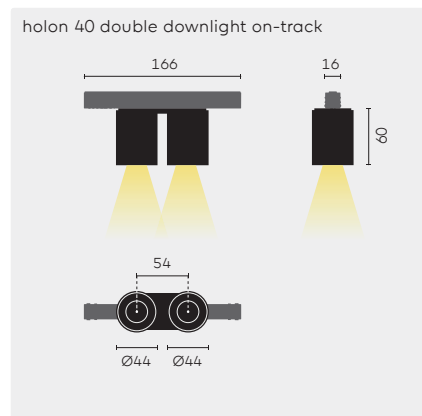
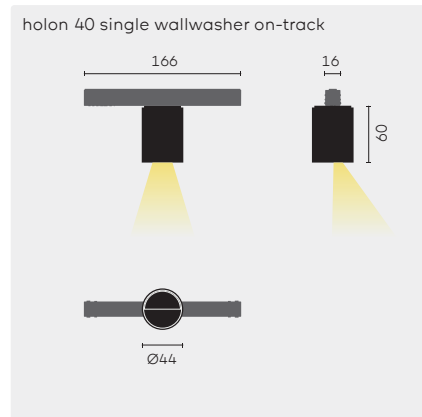
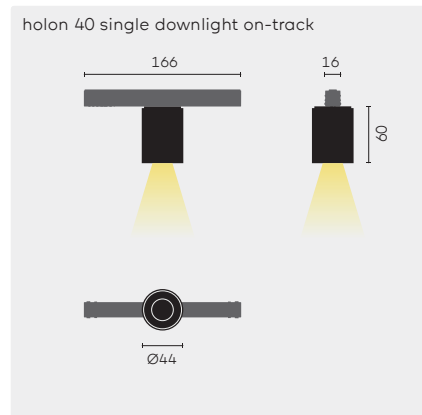
### REMARKS

kreon dolma 40 track profile is supplied on requested length. Required track profiles need to be ordered separately and cut to the required length on site.

 In case the 48Vdc tracks need to be shortened during installation, use the special pliers to cut back the copper wires of the track.

IP40

# kreon dolma track



**holon 40 single downlight on-track**  
Gear: incl., IP40

**holon 40 single wallwasher on-track**  
Gear: incl., IP40

**holon 40 double downlight on-track**  
Gear: incl., IP40

Colour ①	KR-code	Light sources	9027 2700K, CRI90+	9030 3000K, CRI90+	SP spot (17°)	FL flood (24°)	WFL wide flood (40°)	WW wallwasher	SW ON/OFF	VD 1-10V dimming	DD DALI dimming
○	KR945001	①	●	●	●	●	●		●	●	●
●	KR945002	①	●	●	●	●	●		●	●	●
○	KR945101	②	●	●				●	●	●	●
●	KR945102	②	●	●				●	●	●	●
○	KR945201	③	●	●	●	●	●		●	●	●
●	KR945202	③	●	●	●	●	●		●	●	●

		CRI	CCT	Voltage	Wattage	Fixture lumen
①	LED	CRI90+	2700K/3000K	48Vdc	4,5W	190lm
②	LED	CRI90+	2700K/3000K	48Vdc	6,5W	290lm
③	LED	CRI90+	2700K/3000K	48Vdc	6,5W	2x 190lm

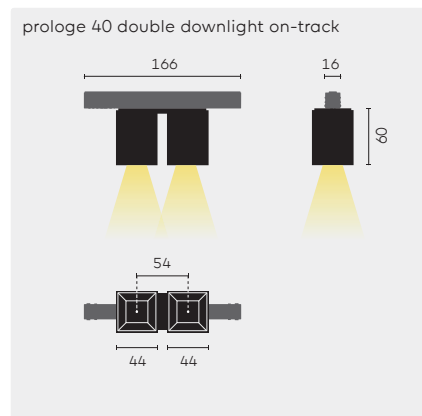
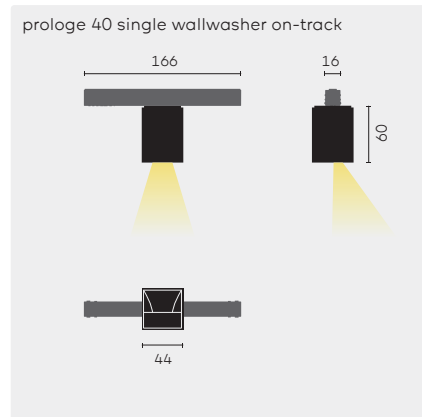
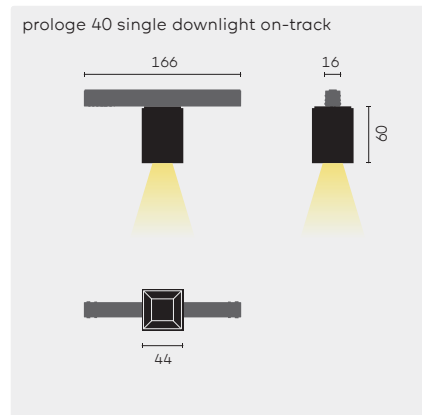
## REMARKS

① The track adapter has the same colour as the luminaire

Compatible with dolma track and 48V low voltage track system.

Gear included  
IP40

# kreon dolma track



**prologe 40 single downlight on-track**  
Gear: incl., IP40

**prologe 40 single wallwasher on-track**  
Gear: incl., IP40

**prologe 40 double downlight on-track**  
Gear: incl., IP40

Colour ①	KR-code	Light sources	9027 2700K, CRI90+	9030 3000K, CRI90+	SP spot (17°)	FL flood (24°)	WFL wide flood (40°)	WW wallwasher	SW ON/OFF	VD 1-10V dimming	DD DALI dimming
○	KR945011	①	●	●	●	●	●		●	●	●
●	KR945012	①	●	●	●	●	●		●	●	●
○	KR945111	②	●	●				●	●	●	●
●	KR945112	②	●	●				●	●	●	●
○	KR945211	③	●	●	●	●	●		●	●	●
●	KR945212	③	●	●	●	●	●		●	●	●

		CRI	CCT	Voltage	Wattage	Fixture lumen
①	LED	CRI90+	2700K/3000K	48Vdc	4,5W	190lm
②	LED	CRI90+	2700K/3000K	48Vdc	6,5W	290lm
③	LED	CRI90+	2700K/3000K	48Vdc	6,5W	2x 190lm

## REMARKS

① The track adapter has the same colour as the luminaire

Compatible with dolma track and 48V low voltage track system.

Gear included  
IP40



# kreon down 60

kreon down 60 is a new range of square shaped recessed downlights with an aperture of 60mm.

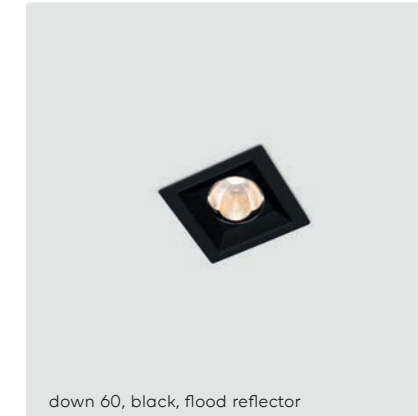
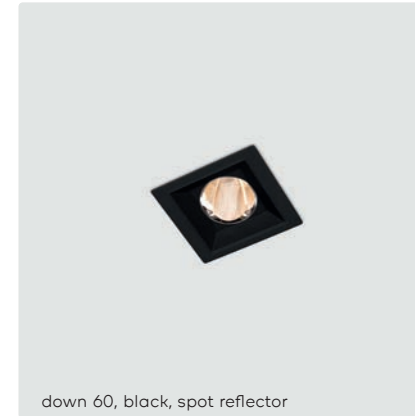
Equipped with the newest high performance faceted reflector in a fixed downlight or wallwash luminaire they offer optimal efficiency and uniformity.

High lumen output can be generated out of a discreet aperture. The light emission in the primary beam of the downlight is precise and sharp without any diffusion.

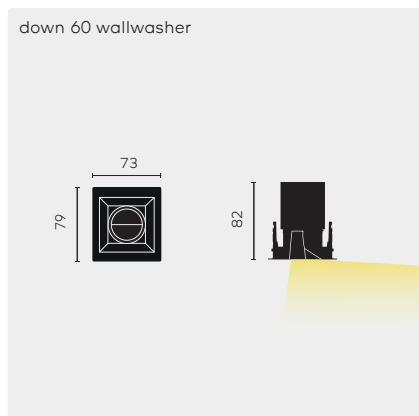
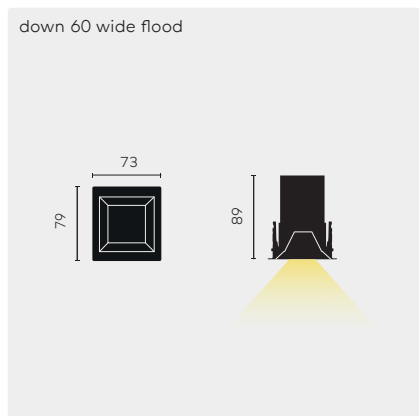
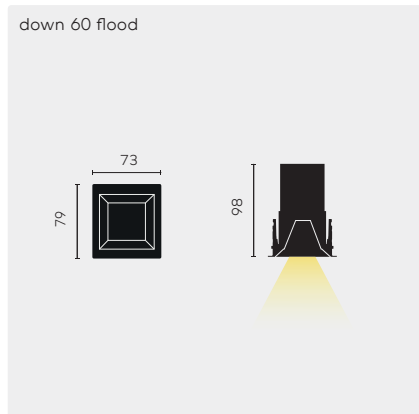
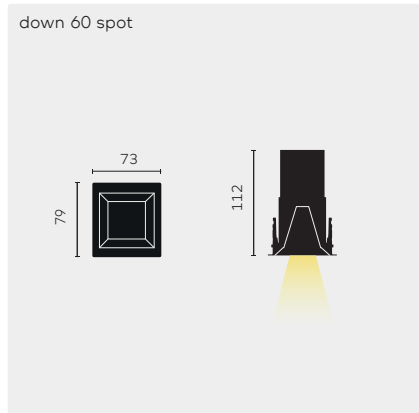


The combination of a flood optic with  $UGR < 19$  and a tunable white 2700K to 5000K makes kreon down 60 a perfect tool to bring general lighting in an office space, while the wide flood downlight makes it possible to illuminate spaces efficiently with a minimum of luminaires.

The powerful wallwasher ensures uniform light distribution with high lux values on vertical surfaces.



# kreon down 60



## down 60 downlight spot

⊗ LxW 68x68 D 122 (SP) ⊕  
Gear: excl., IP20

## down 60 downlight flood & wide flood

⊗ LxW 68x68 D 108 (FL) / 99 (WFL) ⊕  
Gear: excl., IP20

## down 60 wallwasher

⊗ LxW 68x68 D 92 ⊕  
Gear: excl., IP20

Colour  
KR-code  
Light sources  
9027 2700K, CRI90+  
9030 3000K, CRI90+  
TW tunable white (2700K-5000K), CRI90+  
SP spot (34°)  
FL flood (54°)  
WFL wide flood (69°)  
Optional accessories

### Optional accessories

Driver 300mA (SP, wallwasher) ①

**KR747464** LED driver, 300mA, ON/OFF, 16W

**KR747562** LED driver, 300mA, 1-10V, 15W

**KR747666** LED driver, 300mA, DALI, 16W

Driver 350mA (FL, WFL) ②

**KR747064** LED driver, 350mA, ON/OFF, 19W

**KR747162** LED driver, 350mA, 1-10V, 18W

**KR747266** LED driver, 350mA, DALI, 15W

Driver 300mA (tunable white)

**KR747766** LED driver, tunable white, 300mA, DALI-2 DT8, 50W ①

		CRI	CCT	Wattage	Drive current	Fixture lumen
①	LED (SP)	CRI90+	2700K/3000K	9,9W	300mA	717lm
			2700K-5000K	2x12W		905lm
②	LED (FL)	CRI90+	2700K/3000K	12W	350mA	1037lm
			2700K-5000K	2x12W	300mA	890lm
	LED (WFL)	CRI90+	2700K/3000K	12W	350mA	1088lm
			2700K-5000K	2x12W	300mA	933lm
③	LED (WW)	CRI90+	2700K/3000K	9,9W	300mA	807lm

### REMARKS

① Driver does not fit through the installation hole and must be placed on remote.

IP20

# kreon down 80 high efficiency

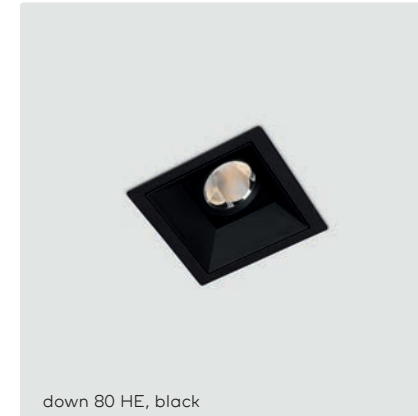
kreon down 80 HE integrates the newest high efficient faceted optics as an extension to the existing kreon down 80 directional range.

Combined with a light designers preferred LED module it creates high efficient pools of light on horizontal surfaces or dramatic scaloping effects on verticals with excellent colour rendering.



The deep recessed light source with the diligent engineered optic ensure a high glare control for visual comfort.

kreon down 80 HE is 30° adjustable to spotlight every detail in a light scene.

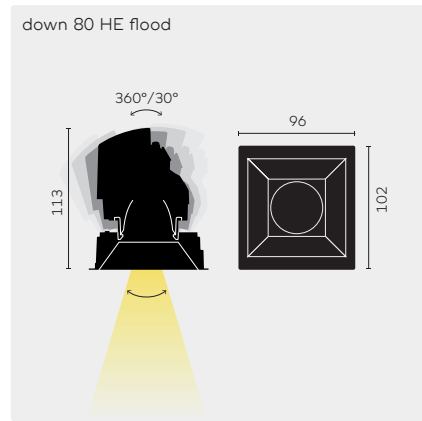
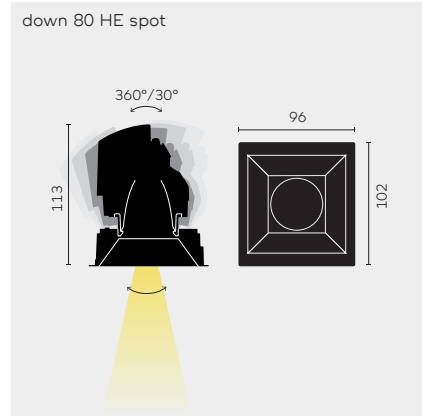


down 80 HE, black



down 80 HE, white

# kreon down 80 high efficiency



**down 80 HE directional spot**  
 Ⓞ LxW 91x91 D 120 ⚡  
 Gear: excl., IP40

**down 80 HE directional flood**  
 Ⓞ LxW 91x91 D 120 ⚡  
 Gear: excl., IP40

### Optional accessories

Plasterkit concrete

Driver for ①

Driver for ②

Colour louvre  
 KR-code  
 Light sources  
**9027**  
 2700K, CRI90+  
**9030**  
 3000K, CRI90+  
**SP**  
 spot (30°)  
**FL**  
 flood (50°)  
 Optional accessories

○	<a href="#">KR947021</a>	①	●	●	●	■
●	<a href="#">KR947022</a>	①	●	●	●	■
○	<a href="#">KR947121</a>	②	●	●	●	■
●	<a href="#">KR947122</a>	②	●	●	●	■

[KR747702](#) Plasterkit for concrete installation

[KR747464](#) LED driver, 300mA, ON/OFF, 16W

[KR747562](#) LED driver, 300mA, 1-10V, 15W

[KR747666](#) LED driver, 300mA, DALI, 16W

[KR747064](#) LED driver, 350mA, 18W, ON/OFF

[KR747162](#) LED driver, 350mA, 15W, 1-10V

[KR747266](#) LED driver, 350mA, 15W, DALI

	CRI	CCT	Wattage	Drive current	Fixture lumen	
①	LED	CRI90+	2700K/3000K	9,9W	300mA	736lm
②	LED	CRI90+	2700K/3000K	12W	350mA	995lm

### REMARKS

Thickness boardmaterial:  
 9-26mm  
 Gear excluded  
 IP40

# kreon down in-line 80 high efficiency

kreon down in-line 80 HE integrates the newest high efficient faceted optics as an extension to the existing kreon down in-line 80 directional range.

Combined with a light designers preferred LED module it creates high efficient pools of light on horizontal surfaces or dramatic scaloping effects on verticals with excellent colour rendering.



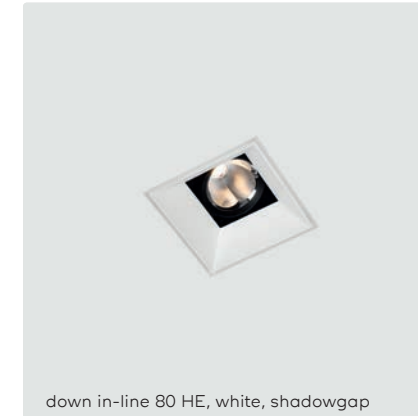
The deep recessed light source with the diligent engineered optic ensure a high glare control for visual comfort.

kreon down in-line 80 HE is 30° adjustable to spotlight every detail in a light scene.

The trimless installation of this in-line recessed downlight blends the downlight seamlessly into the ceiling surface.



down in-line 80 HE, white



down in-line 80 HE, white, shadowgap

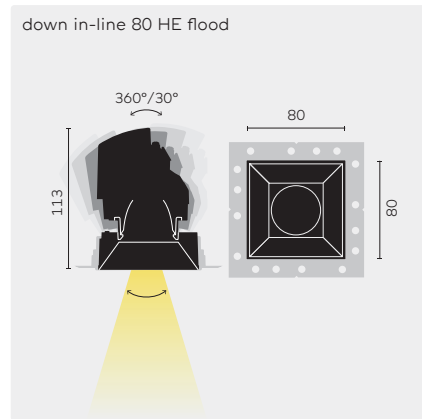
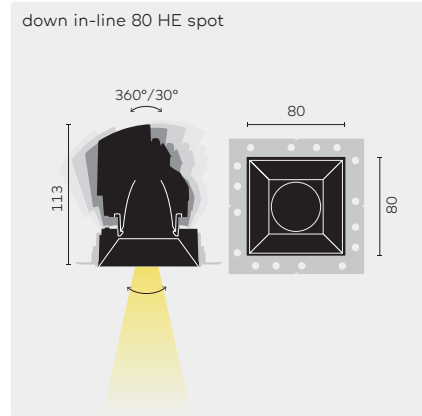



down in-line 80 HE, black




down in-line 80 HE, black, shadowgap

# kreon down in-line 80 high efficiency



	<b>down in-line 80 HE directional spot</b> ⊙ LxW 102x102 D 120 ⬠ Gear: excl., IP40	<u>KR917023</u>	①	● ● ●	●	■ ■
---	--	-----------------	---	-------	---	-----

	<b>down in-line 80 HE directional flood</b> ⊙ LxW 102x102 D 120 ⬠ Gear: excl., IP40	<u>KR917123</u>	②	● ● ●	●	■ ■
---	---	-----------------	---	-------	---	-----

### ■ Required accessories

Plasterkit	<u>KR717114</u>	Plasterkit, no shadowgap
	<u>KR717118</u>	Plasterkit, shadowgap
Plasterkit concrete	<u>KR717111</u>	Plasterkit for concrete installation, no shadowgap (430x430)
	<u>KR717412</u>	Plasterkit for concrete installation, no shadowgap, small (200x200)
	<u>KR717119</u>	Plasterkit for concrete installation, shadowgap (430x430)
	<u>KR717417</u>	Plasterkit for concrete installation, shadowgap, small (200x200)
Louvre	<u>KR717116</u>	Louvre, white
	<u>KR717112</u>	Louvre, black
	<u>KR717115</u>	Louvre, gun black
	<u>KR717113</u>	Louvre, red satin copper

### ■ Optional accessories

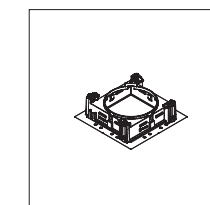
Driver for ①	<u>KR747464</u>	LED driver, 300mA, 16W, ON/OFF
	<u>KR747562</u>	LED driver, 300mA, 15W, 1-10V
	<u>KR747666</u>	LED driver, 300mA, 16W, DALI
Driver for ②	<u>KR747064</u>	LED driver, 350mA, 18W, ON/OFF
	<u>KR747162</u>	LED driver, 350mA, 15W, 1-10V
	<u>KR747266</u>	LED driver, 350mA, 15W, DALI
Distance ring (for plasterkit concrete)	<u>KR717317</u>	Distance ring 2mm (set of 5 pcs.)
	<u>KR717318</u>	Distance ring 3mm (set of 5 pcs.)
	<u>KR717319</u>	Distance ring 5mm (set of 5 pcs.)

	CRI	CCT	Wattage	Drive current	Fixture lumen
① LED	CRI90+	2700K/3000K	9,9W	300mA	736lm
② LED	CRI90+	2700K/3000K	12W	350mA	995lm

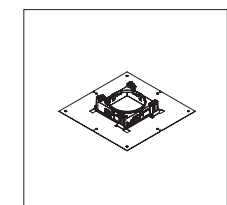
### REMARKS

Thickness boardmaterial:  
9-26mm  
Gear excluded  
IP40

Plasterkit



Plasterkit concrete



# kreon inti

kreon inti is a fully recessed downlight with a refined patented optical system.

kreon inti fixed downlight has a built in dome set above a black or white internal louvre. The faceted dome adds a scattering play of brilliance and creates a first layer of ambiance.

kreon inti directional combines the dome effect of the downlight with a decentralized directional spotlight that has an angular adjustment of 30°. The diffused light from the

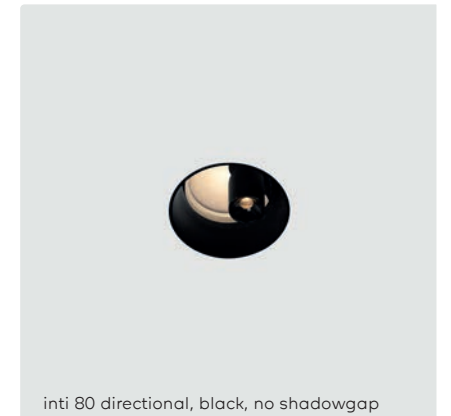


dome neutralizes the shadow of the directional spotlight in the light effect. The directional light creates the second layer of focused light.

The unique combination of a diffused downlight with a directional projector make kreon inti a two-in-one recessed ceiling luminaire.



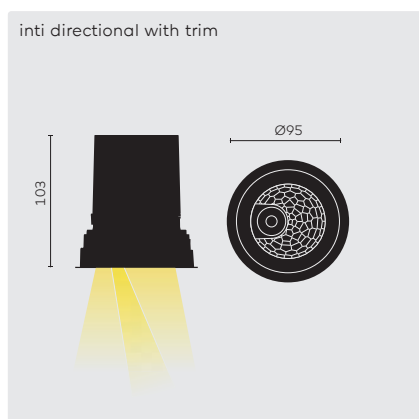
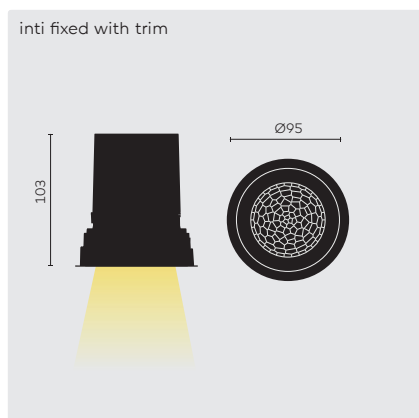
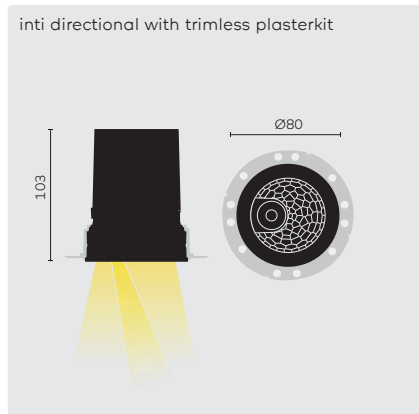
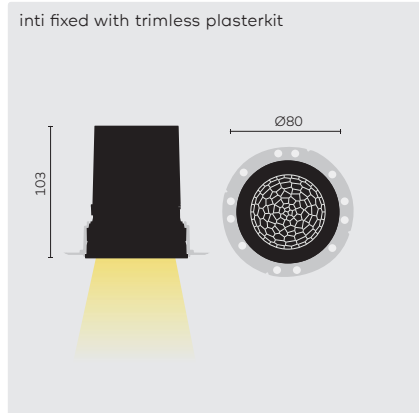
inti 80 directional, white, trim



inti 80 directional, black, no shadowgap



inti 80 fixed, white, shadowgap



	Colour	KR-code	Light sources	9027 2700K, CRI90+	9030 3000K, CRI90+	SP spot (20°)	DL dark light (33°)	WDL wide dark light (56°)	D3 dome, matt	Required accessories	Optional accessories
<b>inti 80 fixed</b> Gear: excl., IP20	○	KR997111	①	●	●				●	■	■
	●	KR997112	①	●	●				●	■	■
<b>inti 80 fixed dim-to-warm (3000K to 1800K)</b> Gear: excl., IP20	○	KR997611	②						●	■	■
	●	KR997612	②						●	■	■
<b>inti 80 directional ①</b> Gear: excl., IP20	○	KR997121	③	●	●	●	●	●	●	■	■
	●	KR997122	③	●	●	●	●	●	●	■	■
<b>inti 80 directional dim-to-warm (3000K to 1800K) ①</b> Gear: excl., IP20	○	KR997621	④	●	●	●	●	●	●	■	■
	●	KR997622	④	●	●	●	●	●	●	■	■

■ Required accessories

Installation kit	KR717104	Plasterkit, no shadowgap, trimless finishing Ø 102 D 110
	KR717108	Plasterkit, with shadowgap, trimless finishing Ø 102 D 110
	○ KR717021	Installation kit with trim, white Ø 90 D 110
	● KR717022	Installation kit with trim, black Ø 90 D 110
Plasterkit concrete	KR717101	Plasterkit for concrete installation, no shadowgap (430x430)
	KR717102	Plasterkit for concrete installation, no shadowgap, small (200x200)
	KR717109	Plasterkit for concrete installation, shadowgap (430x430)
	KR717107	Plasterkit for concrete installation, shadowgap, small (200x200)
Removal tool	KR797000	Removal tool for kreon inti fixed ②

■ Optional accessories

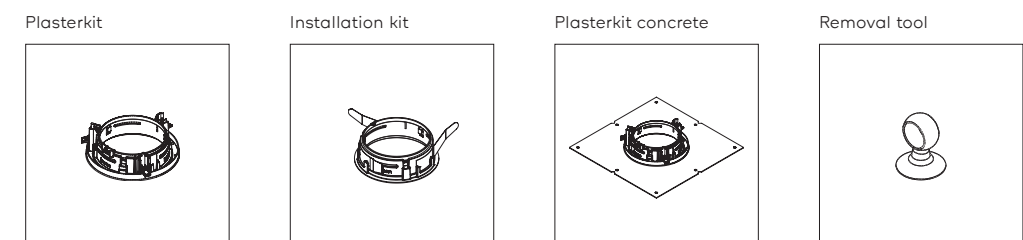
Driver	KR747064	LED driver, 350mA, 19W, ON/OFF
	KR739102	LED driver, 350mA, 15W, 0-10V/1-10V
	KR747266	LED driver, 350mA, 15W, DALI
	KR747163	LED driver, 350mA, 18W, 0-10V/1-10V, dim-to-warm
	KR747267	LED driver, 350mA, 17W, DALI, dim-to-warm
Distance ring (for plasterkit concrete)	KR717307	Distance ring 2mm (set of 5 pcs.)
	KR717308	Distance ring 3mm (set of 5 pcs.)
	KR717309	Distance ring 5mm (set of 5 pcs.)

	CRI	CCT	Wattage	Drive current	Fixture lumen
① LED	CRI90+	2700K/3000K	12W	350mA	825lm
② LED	CRI90+	2700K/3000K	12,6W	350mA	637lm
③ LED dome	CRI90+	2700K/3000K	12W	350mA	576lm
LED dir. 33° / 56°			4W		250lm
20°			1W		100lm
④ LED dome	CRI90+	2700K/3000K	12,6W	350mA	442lm
LED dir. 33° / 56°			4W		250lm
20°			1W		100lm

REMARKS

- ① The dome and directional spot need to be driven separately
- ② Tool is for use with kreon inti 80 fixed. One per project is recommended.

Thickness boardmaterial:  
9-26mm  
Gear excluded  
IP20





# kreon kagi

kagi means "key" in Japanese referring to the shape of a keyhole, which equals the shape of the profile, and mimics the key to a 3-dimensional world.

kreon kagi is an innovative and extremely versatile profile system combining linear and accent lighting.

The basic 24V profile can be either recessed or surface mounted and can optionally be equipped with 16mm or 26mm diameter sated continuous light tubes for a sustained soft light distribution.



An ingenious junction allows a perpendicular, 90° tilted second level connection of the 24V profile.

Additionally, round or square shaped spotlights and wallwashers can be added by clamping them on the main profiles. It is possible to change the position of the spotlights over the track. kreon kagi is an essential tool for architects and lighting designers that can be used as a graphic play of light or guide light.



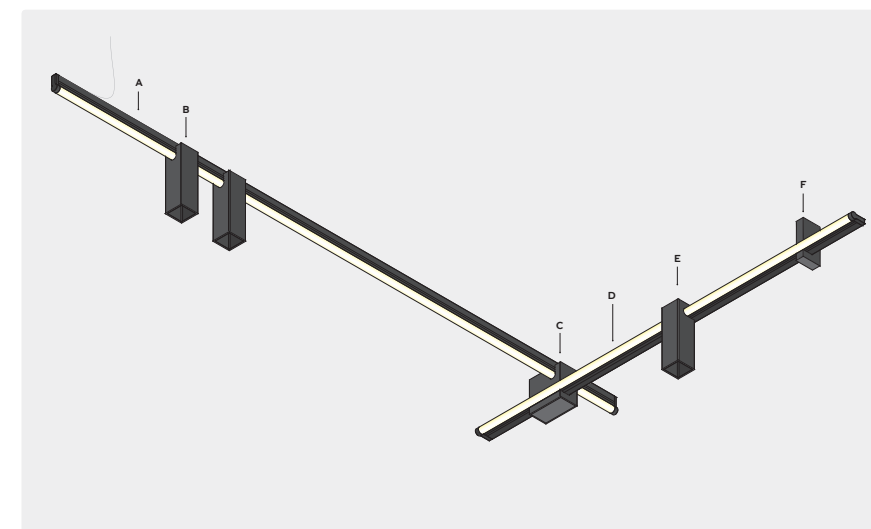
holon 40 on-kagi wallwasher, level 1, black



prologe 40 on-kagi fixed, level 2, white



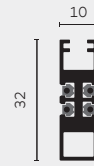
holon 40 on-kagi deco, level 1



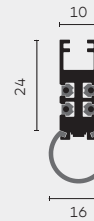
- A kreon kagi profile 16 lvl 1 with feed cable
- B kreon prologe on-kagi downlight lvl 1
- C electrical cross connector
- D kreon kagi profile 16 lvl 2 no feed cable
- E kreon prologe on-kagi downlight lvl 2
- F surface mounted installation block lvl 2

# kreon kagi profile, level 1

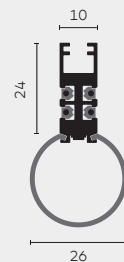
kagi blind surface mounted, level 1



kagi 16, surface mounted, level 1



kagi 26, surface mounted, level 1



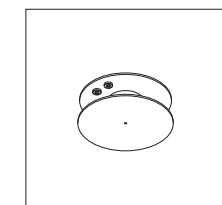
	Colour	KR-code	Light sources	9027 2700K, CRI90+	9030 3000K, CRI90+	DIF diffusor	XS L = 532 mm	S L = 1032 mm	M L = 1532 mm	L L = 2032 mm	XL L = 3032 mm	Required accessories	Optional accessories
<b>kagi blind surface mounted, level 1</b> Gear: excl. input voltage: 24Vdc ①	●	<a href="#">KR954902</a>		●	●	●	●	●	●	●	●	■	■
<b>kagi 16 surface mounted, level 1</b> Gear: excl. input voltage: 24Vdc ①	●	<a href="#">KR954502</a>	①	●	●	●	●	●	●	●	●	■	■
<b>kagi 26 surface mounted, level 1</b> Gear: excl. input voltage: 24Vdc ① No additional fixtures or cross connectors possible	●	<a href="#">KR954602</a>	②	●	●	●	●	●	●	●	●	■	■
<b>■ Required accessories</b>													
Installation tool		<a href="#">KR754911</a>	Materials for installation of level 1 profile + modules ②										
<b>■ Optional accessories</b>													
Power supply hide-away		<a href="#">KR754801</a>	Plasterkit + blind cover, white										
Surface mounted feed		<a href="#">KR754821</a>	Surface mounted feed, level 1, 24Vdc, white										
		<a href="#">KR754822</a>	Surface mounted feed, level 1, 24Vdc, black										
Power supply		<a href="#">KR772060</a>	LED power supply 24Vdc, 70W										
		<a href="#">KR772160</a>	LED power supply 24Vdc, 150W ③										
		<a href="#">KR772260</a>	LED power supply 24Vdc, 96W ④										
CV dimmers		<a href="#">KR774106</a>	1-10V 24Vdc controller for linear light tubes										
		<a href="#">KR774206</a>	DALI 24Vdc controller for linear light tubes										
		<a href="#">KR774306</a>	Xicato enabled bluetooth controller for linear light tubes										
Bluetooth switch		<a href="#">KR774301</a>	Xicato Xswitch for bluetooth conversion of standard low voltage light switches										

	CRI	CCT	Voltage	Wattage	Fixture lumen
① LED	CRI90+	2700K/3000K	24Vdc	12,2W/m	808lm/m
② LED	CRI90+	2700K/3000K	24Vdc	12,2W/m	873lm/m

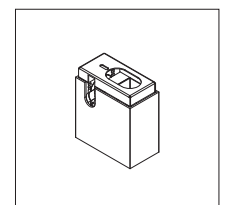
## REMARKS

- ① With 2m feed cable at the end. 2~circuits, max. system load: 2x70W
- ② One installation tool per project is recommended
- ③ Driver does not fit through power supply hide-away.
- ④ Suitable for installation with power supply hide-away accessory

Plasterkit



Surface mounted feed level 1

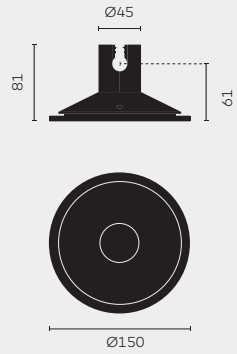


# kreon kagi modules, level 1

holon 40 on-kagi fixed, level 1



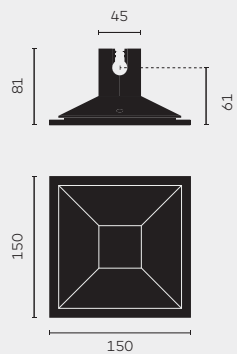
holon 40 on-kagi deco, level 1



prologe 40 on-kagi fixed, level 1



prologe 40 on-kagi deco, level 1



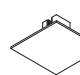
 **holon 40 on-kagi fixed, level 1**

 **holon 40 on-kagi wallwasher, level 1**

 **holon 40 on-kagi deco, level 1**

 **prologe 40 on-kagi fixed, level 1**

 **prologe 40 on-kagi wallwasher, level 1**

 **prologe 40 on-kagi deco, level 1**

Colour	KR-code	Light sources	9027 2700K, CRI90+	9030 3000K, CRI90+	SP spot (15°)	FL flood (30°)	SW Switchable ON/OFF	WD Wireless bluetooth dimming †
○	<a href="#">KR954521</a>	①	●	●	●	●	●	●
●	<a href="#">KR954522</a>	①	●	●	●	●	●	●
○	<a href="#">KR954561</a>	②	●	●			●	●
●	<a href="#">KR954562</a>	②	●	●			●	●
●	<a href="#">KR954582</a>	③	●	●			●	●
○	<a href="#">KR954021</a>	①	●	●	●	●	●	●
●	<a href="#">KR954022</a>	①	●	●	●	●	●	●
○	<a href="#">KR954061</a>	②	●	●			●	●
●	<a href="#">KR954062</a>	②	●	●			●	●
●	<a href="#">KR954082</a>	③	●	●			●	●

	CRI	CCT	Voltage	Wattage	Fixture lumen
① LED	CRI90+	2700K/3000K	24Vdc	9,8W	440lm
② LED	CRI90+	2700K/3000K	24Vdc	5,2W	240lm
③ LED	CRI90+	2700K/3000K	24Vdc	9,8W	160lm

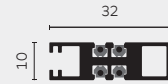
## REMARKS

① Internal bluetooth antenna is programmed with Xicato firmware

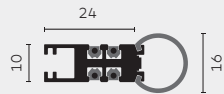
kreon kagi modules cannot be used on kreon kagi 26 profile.

# kreon kagi profile, level 2

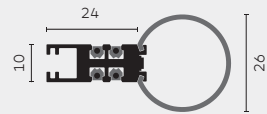
kagi blind surface mounted, level 2



kagi 16, surface mounted, level 2



kagi 26, surface mounted, level 2



	Colour	KR-code	Light sources	9027 2700K, CRI90+	9030 3000K, CRI90+	DIF diffusor	XS L = 532 mm	S L = 1032 mm	M L = 1532 mm	L L = 2032 mm	XL L = 3032 mm	Required accessories	Optional accessories
<b>kagi blind surface mounted, level 2</b> Gear: excl. input voltage: 24Vdc ①	●	<a href="#">KR954412</a>		●	●	●	●	●	●	●	●	■	■
<b>kagi 16 surface mounted, level 2</b> Gear: excl. input voltage: 24Vdc ①	●	<a href="#">KR954012</a>	①	●	●	●	●	●	●	●	●	■	■
<b>kagi 26 surface mounted, level 2</b> Gear: excl. input voltage: 24Vdc ① No additional fixtures possible	●	<a href="#">KR954602</a>	①	●	●	●	●	●	●	●	●	■	■

### Required accessories

#### Mounting blocks

[KR754601](#) Mounting block, to support level 2 profile, white

[KR754602](#) Mounting block, to support level 2 profile, black

#### Cross connector ②

[KR754611](#) Mechanical cross connector, level 1 to level 2, white

[KR754612](#) Mechanical cross connector, level 1 to level 2, black

[KR754711](#) Electrical cross connector, level 1 to level 2, white

[KR754712](#) Electrical cross connector, level 1 to level 2, black

### Optional accessories

#### Surface mounted feed

[KR754811](#) Surface mounted feed, level 1+2, 24Vdc, white

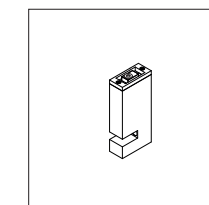
[KR754812](#) Surface mounted feed, level 1+2, 24Vdc, black

	LED	CRI	CCT	Voltage	Wattage	Fixture lumen
①	LED	CRI90+	2700K/3000K	24Vdc	12,2W/m	808lm/m
②	LED	CRI90+	2700K/3000K	24Vdc	12,2W/m	873lm/m

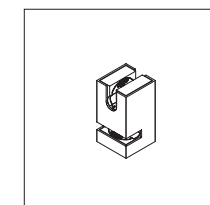
### REMARKS

- ① 2~circuits, max. system load: 2x70W
- ② Cross connector cannot be used on kagi 26 level 1 profiles

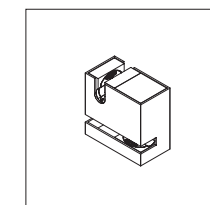
Mounting block



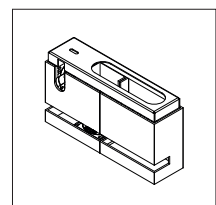
Mechanical cross connector



Electrical cross connector



Surface mounted feed level 2

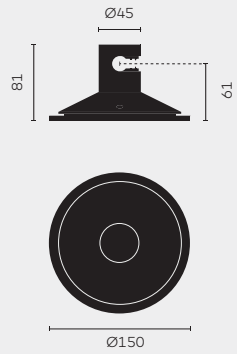


# kreon kagi modules, level 2

holon 40 on-kagi, fixed, level 2



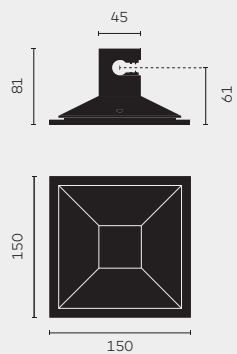
holon 40 on-kagi deco, level 2



prologe 40 on-kagi, fixed, level 2



prologe 40 on-kagi deco, level 2



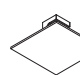
 **holon 40 on-kagi fixed, level 2**

 **holon 40 on-kagi wallwasher, level 2**

 **holon 40 on-kagi deco, level 2**

 **prologe 40 on-kagi fixed, level 2**

 **prologe 40 on-kagi wallwasher, level 2**

 **prologe 40 on-kagi deco, level 2**

Colour	KR-code	Light sources	9027 2700K, CRI90+	9030 3000K, CRI90+	SP spot (15°)	FL flood (30°)	WD Wireless dim + ①	SW Switchable ON/OFF
○	<a href="#">KR954531</a>	①	●	●	●	●	●	●
●	<a href="#">KR954532</a>	①	●	●	●	●	●	●
○	<a href="#">KR954571</a>	②	●	●			●	●
●	<a href="#">KR954572</a>	②	●	●			●	●
●	<a href="#">KR954592</a>	③	●	●			●	●
○	<a href="#">KR954031</a>	①	●	●	●	●	●	●
●	<a href="#">KR954032</a>	①	●	●	●	●	●	●
○	<a href="#">KR954071</a>	①	●	●			●	●
●	<a href="#">KR954072</a>	①	●	●			●	●
●	<a href="#">KR954092</a>	③	●	●			●	●

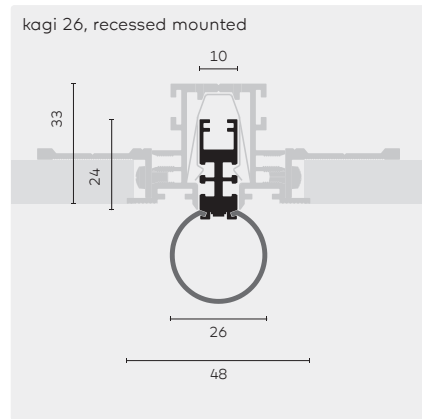
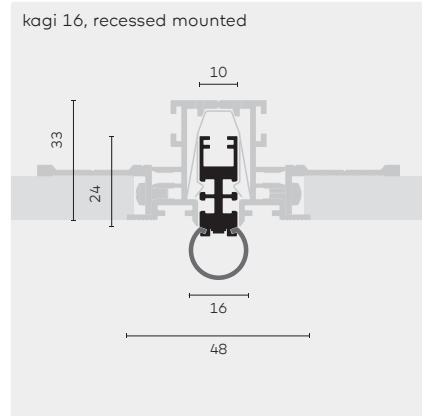
	CRI	CCT	Voltage	Wattage	Fixture lumen
① LED	CRI90+	2700K/3000K	24Vdc	9,8W	440lm
② LED	CRI90+	2700K/3000K	24Vdc	5,2W	240lm
③ LED	CRI90+	2700K/3000K	24Vdc	9,8W	160lm

## REMARKS

① Internal bluetooth antenna is programmed with Xicato firmware

kreon kagi modules cannot be used on kreon kagi 26 profile.

# kreon kagi recessed profile



**kagi 16 recessed mounted**  
 Ⓞ LxW Lx50 D 33  
 No additional fixtures or cross connectors possible

**kagi 26 recessed mounted**  
 Ⓞ LxW Lx50 D 33  
 No additional fixtures or cross connectors possible

### Required accessories

Plasterkit for recessed mounting ①

Colour	KR-code	Light sources	9027 2700K, CRI90+	9030 3000K, CRI90+	DIF diffusor	XS L = 532 mm	S L = 1032 mm	M L = 1532 mm	L L = 2032 mm	XL L = 3032 mm	Required accessories	Optional accessories
●	<a href="#">KR954002</a>	①	●	●	●	●	●	●	●	●	■	■
●	<a href="#">KR954102</a>	①	●	●	●	●	●	●	●	●	■	■

[KR754001-XS](#) Plasterkit, XS

[KR754001-S](#) Plasterkit, S

[KR754001-M](#) Plasterkit, M

[KR754001-L](#) Plasterkit, L

[KR754001-XL](#) Plasterkit, XL

Connector

[KR754002](#) Connector to align consecutive plasterkit profiles

### Optional accessories

Power supply

[KR772060](#) LED power supply 24Vdc, 70W

[KR772160](#) LED power supply 24Vdc, 150W

[KR772260](#) LED power supply 24Vdc, 96W

CV dimmers

[KR774106](#) 1-10V 24Vdc controller for linear light tubes

[KR774206](#) DALI 24Vdc controller for linear light tubes

[KR774306](#) Xicato enabled bluetooth controller for linear light tubes

Bluetooth switch

[KR774301](#) Xicato Xswitch for bluetooth conversion of standard low voltage light switches

	CRI	CCT	Voltage	Wattage	Fixture lumen
① LED	CRI90+	2700K/3000K	24Vdc	12,2W/m	808lm/m
② LED	CRI90+	2700K/3000K	24Vdc	12,2W/m	873lm/m

### REMARKS

① Plasterkit profile should be finished with polyester gypsum.

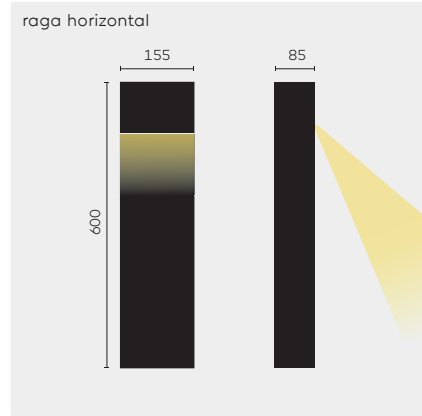
Thickness boardmaterial:  
12,5mm / 15mm / 18mm

# kreon raga

kreon raga is a geometrically shaped exterior bollard luminaire complemented by black steel that reflect its mass. The units are sealed to IP66 and are fitted with spoon shaped reflectors to provide an attractive surrounding glow.

kreon raga horizontal directs its light symmetrically to the ground. Additional ground pins and concrete anchors ensure a firm installation in any type of ground. Sealants and weatherproof coatings protect kreon raga against acid rain and salt.





**raga horizontal**  
IP 66

■ **Optional accessories**

Anchor

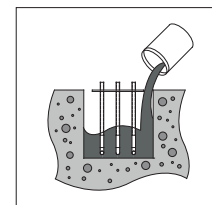
Colour	KR-code	Light sources	Optional accessories
●	<u>KR904102</u>	① 9027 2700K, CRI90 9030 3000K, CRI90	■
●		HGB High gloss black frame finishing	
●		SST Brushed stainless steel frame finishing	
●		BRC Brushed red copper frame finishing	

<u>KR704000</u>	Concrete anchor
<u>KR704004</u>	Flooring anchor

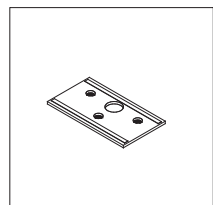
	CRI	CCT	Voltage	Wattage	Fixture lumen
① LED	CRI90	2700K/3000K	230V	12W	449lm

**REMARKS**  
Gear (ON/OFF) included  
Material: sheet metal

Concrete anchor



Flooring anchor

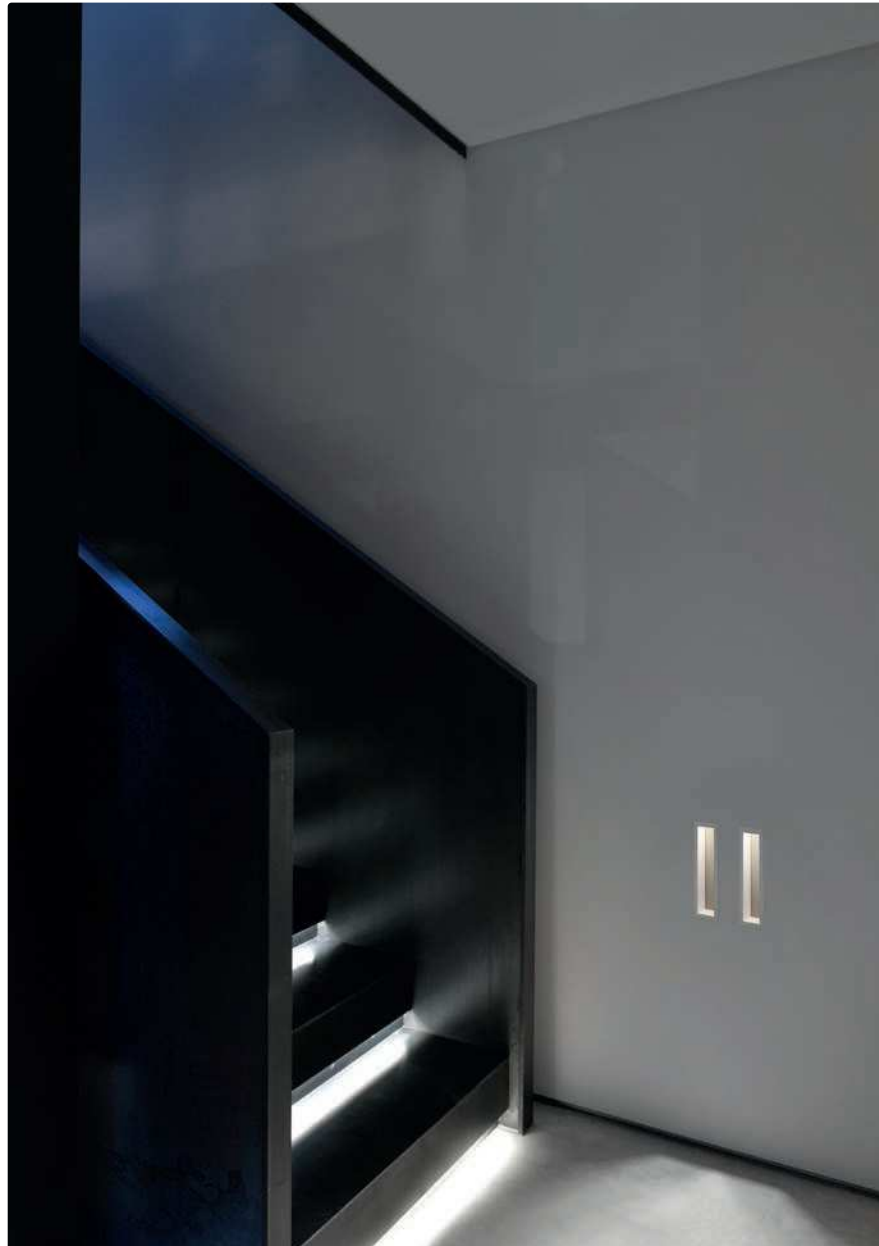




# kreon side

The kreon side concept originated from the need to provide ambient and placement lighting from within vertical surfaces.

The faceted reflectors ensure a uniform asymmetrical beam without sharp edges or hotspots. They also provide a wash of light that, when mounted downward, can provide orientation through spaces, or, when mounted upward, produce a ceiling glow that effectively increases ambient levels within an interior.



A soft yet striking light beam and the steep bevel of the finishing louvre draws attention to the straight vertical back surface which can be finished in various materials according to the designer's preference. kreon side, available in widths of 25, 40 and 80 mm can be merged perfectly into the architecture and combined with other kreon luminaires.



side 25x100, black, copper backplate



side 40x100, black, grey backplate

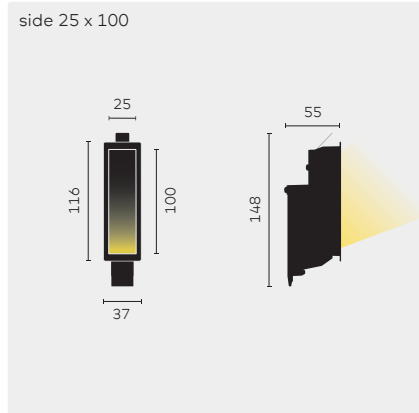


side 40x200, white, white backplate



side 80x200, white, bronze backplate

# kreon side 25



**side 25 x 100**  
 Ⓞ LxW 107x33 D 58  
 Gear: excl., IP20

### Optional accessories

Concrete plate

**KR732113**

Concrete plate for side 25 x 100

Concrete installation box

**KR775124**

Concrete installation box for side 25 x 100

Removal tool

**KR775002**

Removal tool for side 25 ①

Driver

**KR772820**

LED driver, 500mA, ON/OFF, 11W ②

**KR772822**

LED driver, 500mA, 1-10V, 20W

**KR772823**

LED driver, 500mA, DALI, 10W ②

Colour louvre	KR-code	Light sources	9027 2700K, CRI90+	9030 3000K, CRI90+	P1 Painted white backplate	P2 Painted black backplate	A2 Alu black backplate	A3 Alu grey backplate	A4 Alu bronze backplate	A5 Copper backplate	A6 Alu red backplate	Required accessories	Optional accessories
○	<b>KR932111</b>	①	●	●	●	●	●	●	●	●	●	■	■
●	<b>KR932112</b>	①	●	●	●	●	●	●	●	●	●	■	■

	CRI	CCT	Voltage	Wattage	Drive current	Fixture lumen
① LED	CRI90+	2700K/3000K	5,5 Vdc	2,75W	500mA	158lm

### REMARKS

① Removal tools serves to remove the luminaire after installation. One tool per project is recommended.

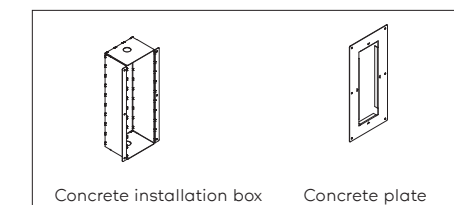
② Driver fits in the concrete plate of kreon side 25x100.

Thickness boardmaterial: 9-12,5mm  
 Cut-out dimensions for hollow wall. For other applications, see installation manual.

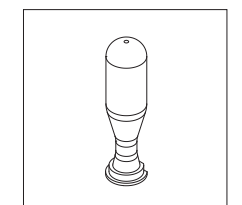
**Installation possibilities**  
 Recommended for seamless installation in stone wall: concrete plate

Recommended for seamless installation in concrete wall: concrete plate + installation box

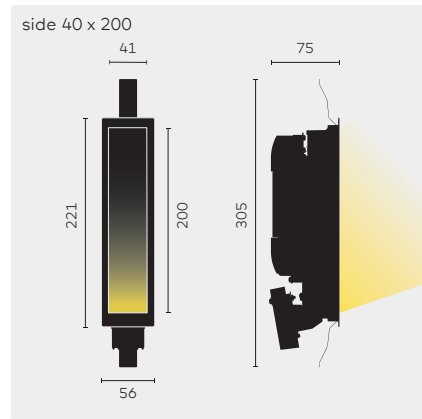
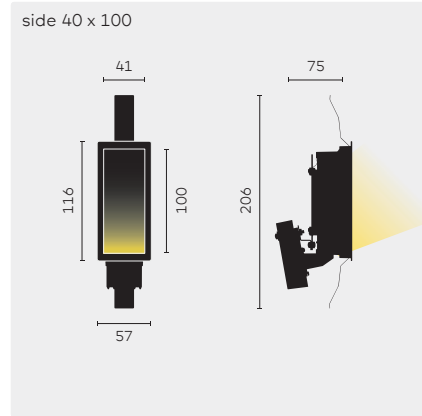
### Installation possibilities



### Removal tool



# kreon side 40



	Colour louvre	KR-code	Light sources	9027 2700K, CRI90+	9030 3000K, CRI90+	SW Switchable ON/OFF	DD DALI dimming	P1 Painted white backplate	P2 Painted black backplate	A2 Alu black backplate	A3 Alu grey backplate	A4 Alu bronze backplate	A5 Copper backplate	A6 Alu red backplate	Required accessories	Optional accessories
<b>side 40 x 100</b> Ⓞ LxW 109x44 D 80 Gear: excl., IP55 ①	○	<a href="#">KR932311</a>	①	●	●			●	●	●	●	●	●	●	■	■
	●	<a href="#">KR932312</a>	①	●	●			●	●	●	●	●	●	●	■	■
<b>side 40 x 200</b> Ⓞ LxW 208x44 D 80 Gear: excl., IP55 ①	○	<a href="#">KR932411</a>	①	●	●			●	●	●	●	●	●	●	■	■
	●	<a href="#">KR932412</a>	①	●	●			●	●	●	●	●	●	●	■	■
<b>side 40 x 200</b> Ⓞ LxW 208x44 D 80 Gear: incl., IP20	○	<a href="#">KR932511</a>	②	●	●	●	●	●	●	●	●	●	●	●	■	■
	●	<a href="#">KR932512</a>	②	●	●	●	●	●	●	●	●	●	●	●	■	■

■ Optional accessories	
Concrete plate	<a href="#">KR732313</a> Concrete plate for side 40 x 100
	<a href="#">KR732413</a> Concrete plate for side 40 x 200
Concrete installation box	<a href="#">KR775324</a> Concrete installation box for side 40 x 100
	<a href="#">KR775424</a> Concrete installation box for side 40 x 200
Removal tool	<a href="#">KR775004</a> Removal tool for side 40 ②
Driver for side 40x100 gear excl.	<a href="#">KR762700</a> LED driver, 700mA, ON/OFF, max. 11W ③
	<a href="#">KR772232</a> LED driver, 700mA, 1-10V, max. 20W
	<a href="#">KR752733</a> LED driver, 700mA, DALI, max. 10W ④

	LED	CRI	CCT	Voltage	Wattage	Drive current	Fixture lumen
①	LED	CRI90+	2700K/3000K	5,6 Vdc	4W	700mA	247lm

### REMARKS

① Suitable for damp locations and ventilated outdoor facades. Cannot be used in bathtub or shower areas, or in maritime environments.

② Removal tools serves to remove the luminaire after installation. One tool per project is recommended.

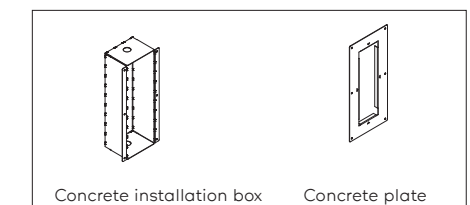
③ Driver fits in the concrete plate of kreon side 40x200.

Thickness boardmaterial: 9-12,5mm  
Cut-out dimensions for hollow wall. For other applications, see installation manual.

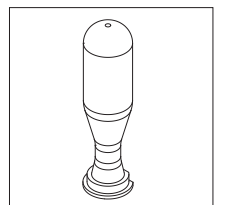
**Installation possibilities**  
Recommended for seamless installation in stone wall: concrete plate

Recommended for seamless installation in concrete wall: concrete plate + installation box

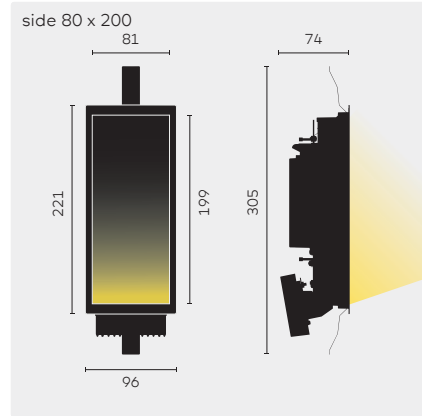
### Installation possibilities



### Removal tool



# kreon side 80



**side 80 x 200**  
 Ⓞ LxW 208x84 D 80  
 Gear: incl., IP20

**side 80 x 200**  
 Ⓞ LxW 208x84 D 80  
 Gear: incl., IP55 ①

### Optional accessories

Concrete plate	<b>KR732613</b>	Concrete plate for side 80
Concrete installation box	<b>KR775624</b>	Concrete installation box for side 80
Removal tool	<b>KR775008</b>	Removal tool for side 80 ②
Driver	<b>KR772520</b>	LED driver, 500mA, ON/OFF, 20W
	<b>KR772220</b>	LED driver, 500mA, 1-10V, 20W
	<b>KR772126</b>	LED driver, 500mA, DALI, 18W

Colour louvre	KR-code	Light sources	9027 2700K, CRI90+	9030 3000K, CRI90+	SW Switchable ON/OFF	VD 1-10V dimming	DD DALI dimming	P1 Painted white backplate	P2 Painted black backplate	A2 Alu black backplate	A3 Alu grey backplate	A4 Alu bronze backplate	A5 Alu copper backplate	A6 Alu red backplate	Required accessories	Optional accessories
---------------	---------	---------------	-----------------------	-----------------------	-------------------------	---------------------	--------------------	-------------------------------	-------------------------------	---------------------------	--------------------------	----------------------------	----------------------------	-------------------------	----------------------	----------------------

○	<b>KR932611</b>	①	●	●		●	●	●	●	●	●	●	●	●	■	■
●	<b>KR932612</b>	①	●	●		●	●	●	●	●	●	●	●	●	■	■
○	<b>KR932601</b>	①	●	●	●			●	●	●	●	●	●	●	■	■
●	<b>KR932602</b>	①	●	●	●			●	●	●	●	●	●	●	■	■

	LED	SW	CRI	CCT	Voltage	Wattage	Fixture lumen
①	LED	SW	CRI90+	2700K/3000K	230V	8,25W	640lm

### REMARKS

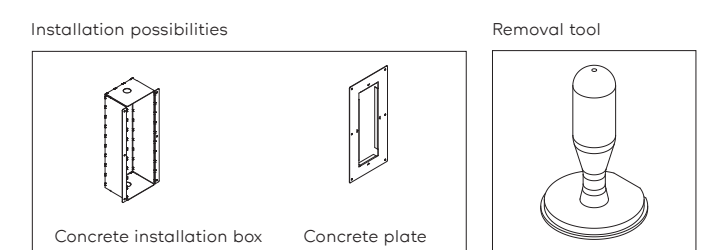
① Suitable for damp locations and ventilated outdoor facades. Cannot be used in bathtub or shower areas, or in maritime environments.

② Removal tools serves to remove the luminaire after installation. One tool per project is recommended.

Thickness boardmaterial: 9-12,5mm  
 Cut-out dimensions for hollow wall. For other applications, see installation manual.

**Installation possibilities**  
 Recommended for seamless installation in stone wall: concrete plate

Recommended for seamless installation in concrete wall: concrete plate + installation box



# kreon stripe

kreon stripe 25 is a semi-recessed ceiling luminaire characterised by a compact volume hosting a single or double deepset downlight or a single wallwasher.

kreon stripe 25 combines small rhythmic pools of accent lighting with homogeneous wall washing light effects.

The semi-recessed wallwasher can also be applied in wall to use the luminaire as a ceiling or floor washer for corridor applications.



High efficient optics provide efficient, glare free light and even light distribution. Finished in black for a dramatic contrast or pure white to disappear in the surrounding architecture.



stripe 25 single, white

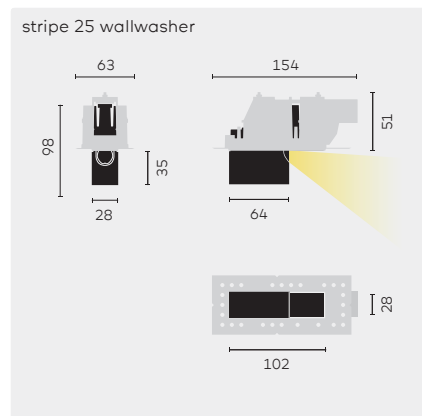
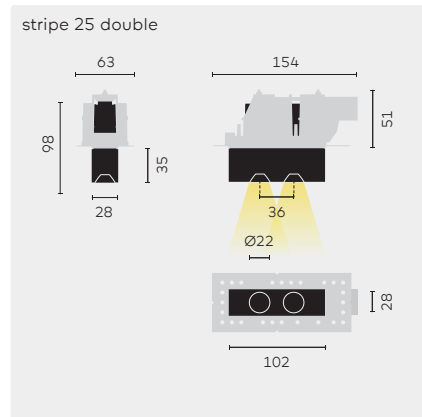
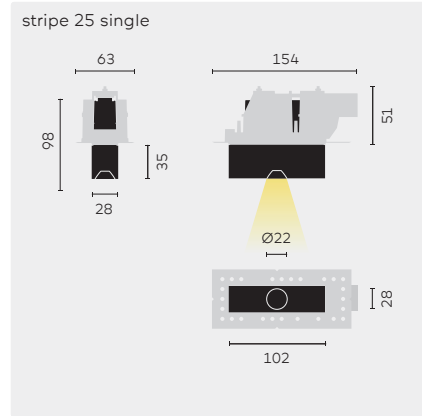


stripe 25 double, black



stripe 25 wallwasher, black

# kreon stripe 25



**stripe 25 single**  
Gear: excl., IP20

**stripe 25 single**  
Gear: excl., IP20

**stripe 25 double**  
Gear: excl., IP20

**stripe 25 double**  
Gear: excl., IP20

**stripe 25 wallwasher**  
Gear: excl., IP20

■ **Required accessories**

Plasterkit	<b>KR739000</b>	Plasterkit LxW 124x51 D 65
Concrete installaton box	<b>KR775124</b>	Concrete installation box
Concrete plate	<b>KR775123</b>	Concrete plate

■ **Optional accessories**

Driver for light sources ① ③ ⑤	<b>KR762700</b>	LED driver, 700mA, 11W, ON/OFF
	<b>KR772232</b>	LED driver, 700mA, 20W, 1-10V ①
	<b>KR752733</b>	LED driver, 700mA, 10W, DALI
Driver for light sources ② ④	<b>KR739104</b>	LED driver, 350mA, 15W, ON/OFF
	<b>KR747162</b>	LED driver, 350mA, 18W, 1-10V ①
	<b>KR739106</b>	LED driver, 350mA, 10W, DALI

	CRI	CCT	Wattage	Drive current	Fixture lumen
① LED	CRI90+	2700K/3000K	2W	700mA	172lm
② LED	CRI90+	2700K/3000K	4,2W	350mA	255lm
③ LED	CRI90+	2700K/3000K	4W	700mA	335lm
④ LED	CRI90+	2700K/3000K	8,3W	350mA	455lm
⑤ LED	CRI90+	2700K/3000K	4W	700mA	276lm

Colour	KR-code	Light sources	9027 2700K, CRI90+	9030 3000K, CRI90+	SP spot (20°)	DL dark light (36°)	WDL wide dark light (60°)	Required accessories	Optional accessories
○	<b>KR939001</b>	①	●	●	●			■	■
●	<b>KR939002</b>	①	●	●	●			■	■
○	<b>KR939101</b>	②	●	●		●	●	■	■
●	<b>KR939102</b>	②	●	●		●	●	■	■
○	<b>KR939201</b>	③	●	●	●			■	■
●	<b>KR939202</b>	③	●	●	●			■	■
○	<b>KR939301</b>	④	●	●		●	●	■	■
●	<b>KR939302</b>	④	●	●		●	●	■	■
○	<b>KR939401</b>	⑤	●	●				■	■
●	<b>KR939402</b>	⑤	●	●				■	■

**REMARKS**

① Driver does not fit through plasterkit and must be placed on remote.

Thickness boardmaterial for hollow wall/ceiling: 9-12,5mm  
Gear excluded  
IP20

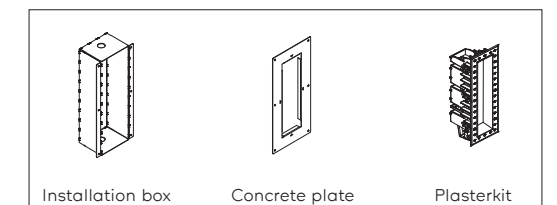
**Installation possibilities**

Required for installation in hollow wall: plasterkit

Required for installation in stone wall: concrete plate and plasterkit

Required for installation in concrete wall: installation box, concrete plate and plasterkit

Installation possibilities



novelties	aplis 60	42
	aplis 80 high efficiency	46
	aplis in-line 80 high efficiency	50
	dolma track	54
	down 60	62
	down 80 high efficiency	66
	down in-line 80 high efficiency	70
	inti	74
	kagi	78
	raga	90
	side	94
	stripe	102
product upgrades	holon 40 LFO	108
	holon 40 book	108
	onn-wall	116
	side in-line 25	120
	up 40 baffle	124
	up 80 (gen. 2)	124
	up in-line 80 (gen. 2)	130
	wabi wall	134
kreon offices		138

# kreon holon

kreon holon is a range of surface mounted, track mounted and pendant cylindrical downlights characterised by its compact form and deep set LED position, providing a subtle feeling of light without a possible uncomfortable visual perception. The range uses a variety of LED modules and is available in two diameters to suit spatial requirements. With a choice of fixed or directional units, kreon holon can provide a discreet yet functional solution to general or accent lighting within architecture. Finished in black for a dramatic contrast or pure white.

kreon holon directional is spotlight with a rotational adjustment of 360° and an angular adjustment of 90°, which when combined with the choice of spot, flood, wide floor,



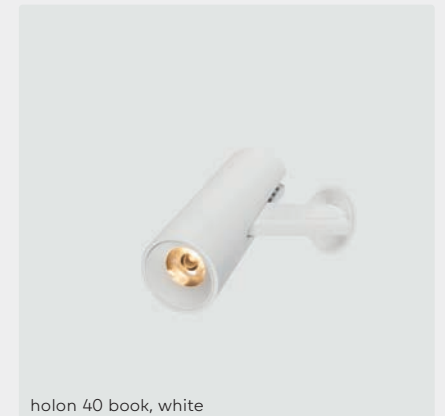
darklight or wide darklight reflector, provides a truly versatile general or accent lighting tool. kreon holon directional can be surface mounted or used on our 48V magnetic track system.

kreon holon fixed can be surface mounted or suspended and is the perfect solution for general or accent lighting and features a spot, flood or wide flood reflector set above the black or white internal louvre. Use kreon holon fixed to create pools or accents of light.

kreon holon 40 book is a wall-mounted variation with a reinforced arm for intensive use.



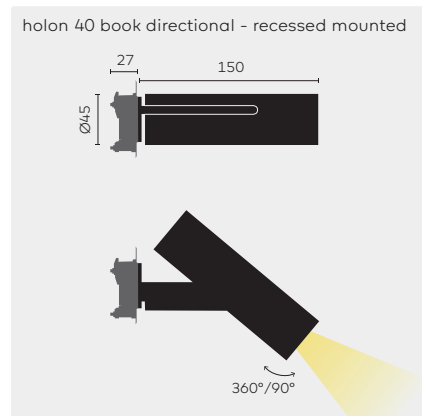
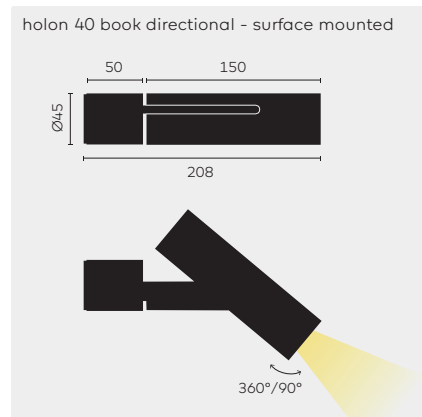
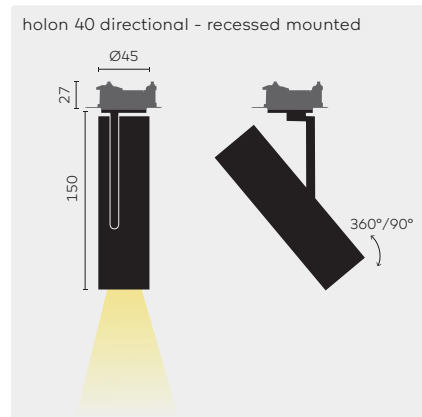
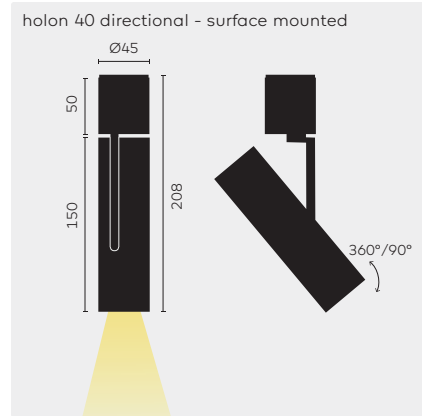
holon 40 directional, black



holon 40 book, white



# kreon holon 40



	Colour	KR-code	Light sources	8027 2700K, CR180+	8030 3000K, CR180+	9027 2700K, CR190+	9030 3000K, CR190+	SP Spot (20°)	FL Flood (30°)	WFL Wide flood (40°)	DL Dark light (38°) ①	WDL Wide dark light (76°) ①	SW Switchable ON/OFF	VD 1-10V dimming ②	DD DALI dimming	Required accessories	Optional accessories
<b>holon 40 directional surface mounted</b>	○	<a href="#">KR962301</a>	①	●	●	●	●	●	●	●	●	●					■
	●	<a href="#">KR962302</a>	①	●	●	●	●	●	●	●	●	●					■
<b>holon 40 directional recessed mounted</b>	○	<a href="#">KR962311</a>	①	●	●	●	●	●	●	●	●	●				■	■
	●	<a href="#">KR962312</a>	①	●	●	●	●	●	●	●	●	●				■	■
<b>holon 40 directional surface mounted book</b>	○	<a href="#">KR962401</a>	①	●	●			●			●						■
	●	<a href="#">KR962402</a>	①	●	●			●			●						■
<b>holon 40 directional recessed mounted book</b>	○	<a href="#">KR962801</a>	①	●	●			●			●					■	■
	●	<a href="#">KR962802</a>	①	●	●			●			●					■	■

### ■ Required accessories

Plasterkit	<a href="#">KR707104</a>	Plasterkit, trimless finish, for holon 40 directional recessed mounted ⌀ Ø63
------------	--------------------------	--

### ■ Optional accessories

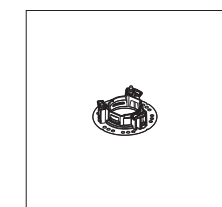
Driver	<a href="#">KR762700</a>	LED driver, 700mA, ON/OFF, 11W ③
	<a href="#">KR762902</a>	LED driver, 700mA, 1-10V, 25W ③
	<a href="#">KR752733</a>	LED driver, 700mA, DALI, 10W ④
Installation cover	<a href="#">KR762501</a>	Installation cover, white
	<a href="#">KR762502</a>	Installation cover, black
Lenses and louvres (SP, FL, WFL)	<a href="#">KR762000</a>	Anti-glare louvre
	<a href="#">KR762200</a>	Diffusing lens

### REMARKS

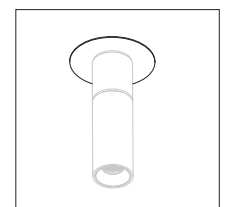
- ① Only available in combination with black louvre and CR190+
- ② Recommended to use in combination with active 1-10V dimming. It is recommended not to use 1-10V dim fixtures having no 1-10V signal connected to the track.
- ③ Driver fits through the installation hole of the kreon holon 40 directional, recessed mounted. Minimum installation depth is 180mm. Other types of drivers should be placed on remote.
- ④ Should be placed on remote.

Gear excluded.  
⌀ IP40

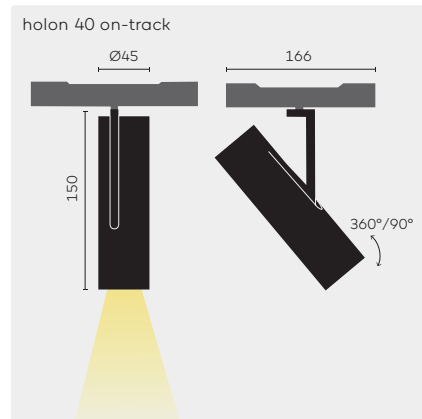
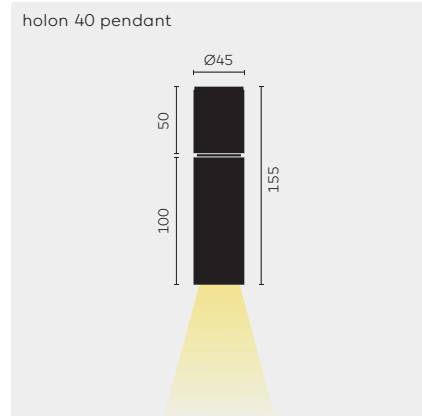
Plasterkit



Installation cover



# kreon holon 40



	Colour	KR-code	Light sources	8027 2700K, CR180+	8030 3000K, CR180+	9027 2700K, CR190+	9030 3000K, CR190+	SP Spot (20°)	FL Flood (30°)	WFL Wide flood (40°)	DL Dark light (38°) ②	WDL Wide dark light (7.6°) ②	SW Switchable ON/OFF	VD 1-10V dimming ③	DD DALI dimming	Optional accessories
<b>holon 40 fixed</b>	○	KR962701	①	●	●	●	●	●	●	●	●	●				■
	●	KR962702	①	●	●	●	●	●	●	●	●	●				■
<b>holon 40 on-track ②</b>	○	KR962611	②	●	●	●	●	●	●	●	●	●	●	●	●	■
	●	KR962612	②	●	●	●	●	●	●	●	●	●	●	●	●	■

## Optional accessories

Driver	KR762700	LED driver, 700mA, ON/OFF, 11W ④
	KR762902	LED driver, 700mA, 1-10V, 25W ④
	KR752733	LED driver, 700mA, DALI, 10W ⑤
Installation cover	KR762501	Installation cover, white
	KR762502	Installation cover, black
Lenses and louvres (SP, FL, WFL)	KR762000	Anti-glare louvre
	KR762200	Diffusing lens
Low voltage track	See kreon.com	

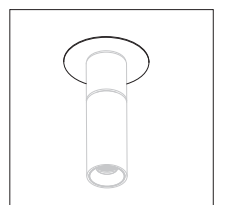
		CRI	CCT	Voltage	Wattage	Drive current	Fixture lumen
①	LED	CR180+	2700K/3000K		8,4W	700mA	628lm
		CR190+	2700K/3000K		8,4W	700mA	558lm
	darklight	CR190+	2700K/3000K		8,4W	700mA	420lm
②	LED	CR180+	2700K/3000K	48V	10,9W		628lm
		CR190+	2700K/3000K	48V	10,9W		558lm
	darklight	CR190+	2700K/3000K	48V	10,9W		420lm

## REMARKS

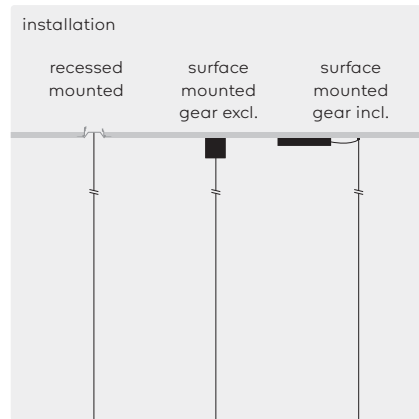
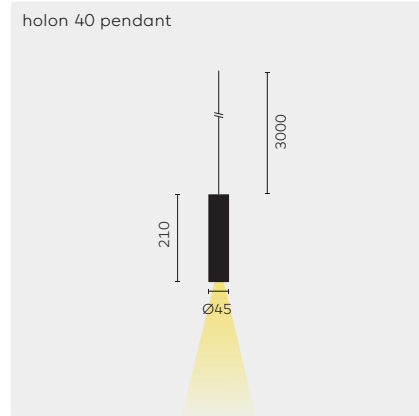
- ① Use in combination with a 48V low voltage track system (see page 554).
- ② Only available in combination with black louvre and CR190+
- ③ Recommended to use in combination with active 1-10V dimming. It is recommended not to use 1-10V dim fixtures having no 1-10V signal connected to the track.
- ④ Driver fits through the installation hole of the kreon holon 40 directional, recessed mounted. Minimum installation depth is 180mm. Other types of drivers should be placed on remote.
- ⑤ Should be placed on remote.

Gear excluded.  
◆ IP40

Installation cover



# kreon holon 40 pendant



Colour	KR-code	Light sources	9027 2700K, CRI90+	9030 3000K, CRI90+	SP Spot (20°)	FL Flood (35°)	WFL Wide flood (55°)	DL Dark light (38°) ①	MDL Wide dark light (76°) ①	P1 Louvre painted white ②	P2 Louvre painted black ②	A5 Louvre red copper ②	Required accessories	Optional accessories
○	KR962001	①	●	●	●	●	●	●	●	●	●	●	■	■
●	KR962002	①	●	●	●	●	●	●	●	●	●	●	■	■
○	KR962901	②	●	●	●	●	●	●	●	●	●	●	■	■
●	KR962902	②	●	●	●	●	●	●	●	●	●	●	■	■

## Required accessories

Recessed mounted

- KR791100 Recessed suspension kit
- KR707104 Plasterkit, no shadowgap Ø 63 ②
- KR707106 Louvre, white
- KR707122 Louvre, black
- KR707103 Louvre, red satin copper

Surface mounted (gear excl.)

- KR791001 Surface mounted installation box, white Ø 45 H 50
- KR791002 Surface mounted installation box, black Ø 45 H 50

Surface mounted (ON/OFF gear incl.)

- KR791004 Surface mounted gearbox (for 1 module) - 1 circuit, white
- KR791005 Surface mounted gearbox (for 1 module) - 1 circuit, black
- KR791006 Surface mounted gearbox, (for 2 up to 3 modules) - 1 circuit, white
- KR791007 Surface mounted gearbox, (for 2 up to 3 modules) - 1 circuit, black

## Optional accessories

Lenses and louvres (SP, FL, WFL)

- KR762000 Anti-glare louvre
- KR762200 Diffusing lens

Driver

- KR762700 LED driver, 700mA, ON/OFF, 11W ④
- KR762902 LED driver, 700mA, 1-10V, 25W ④
- KR772431 LED driver, 700mA, phase dim, 14W
- KR772430 LED driver, 700mA, phase dim, 14W ⑤

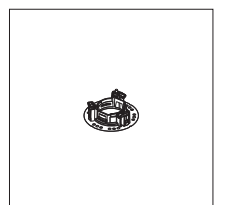
		CRI	CCT	Wattage	Voltage	Drive current	Fixture lumen
①	LED	CRI90+	2700K/3000K	8,4W		700 mA	628lm
②	LED	CRI90+	2700K/3000K		230Vdc		628lm

## REMARKS

- ① Only available in combination with black louvre and CRI90+
- ② Finishing colour of the louvre in the holon 40 pendant cylinder
- ③ Thickness boardmaterial: 9-14mm
- ④ Driver fits through plasterkit. Required installation depth: 180 mm
- ⑤ Driver does not fit through plasterkit.

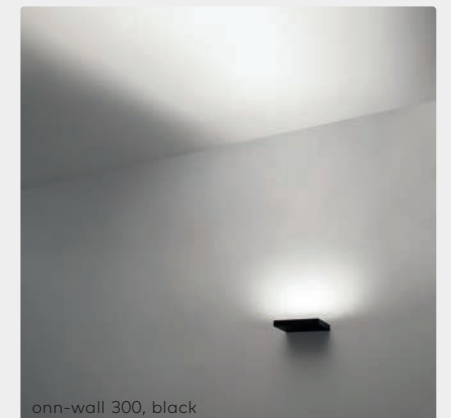
Length pendant cord: 3000mm  
IP40

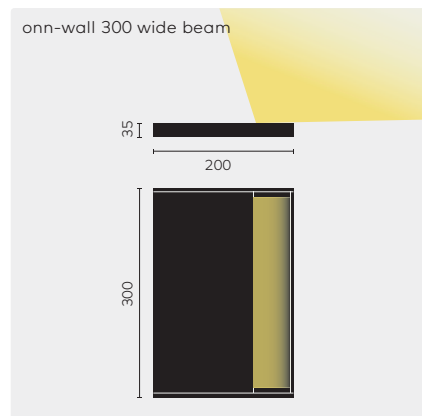
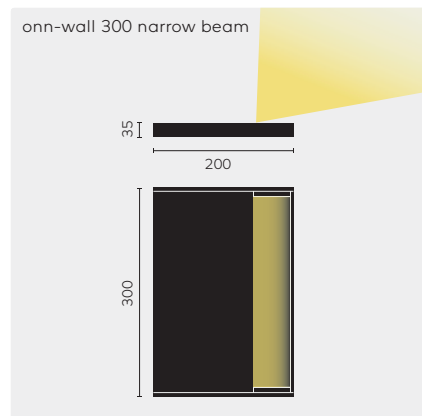
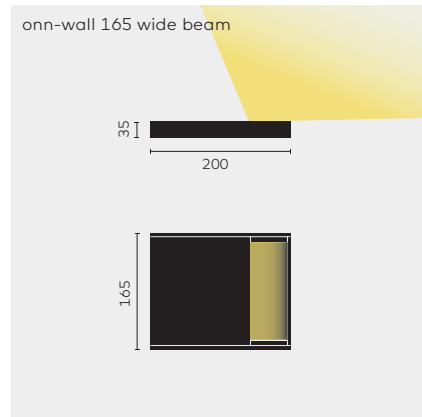
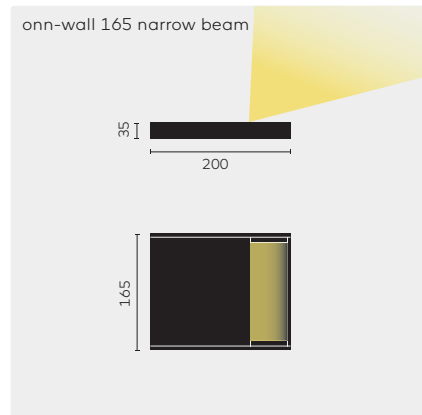
Plasterkit



# kreon onn


The simple and archetypical volume of kreon onn-wall creates an indirect ambient lighting making it an ideal fixture for highlighting all types of ceilings. kreon onn-wall 165 and 300 comes in two beam options. Narrow beam using TIR (Total Internal Reflection) lens technology for a forward thrown light distribution without hotspots on the wall or wide beam using faceted reflectors for a high output and evenly spread indirect light distribution.






 **onn-wall 165 narrow beam**  
1-10V gear incl.

 **onn-wall 165 narrow beam**  
DALI gear incl.

 **onn-wall 165 wide beam**

 **onn-wall 300 narrow beam**  
1-10V gear incl.

 **onn-wall 300 narrow beam**  
DALI gear incl.

 **onn-wall 300 wide beam**

Colour  
KR-code  
Light sources  
9027  
2700K, CRI90+  
VD 1-10V dimming  
DD DALI

○ KR983511 ①

● KR983512 ①

○ KR983311 ①

● KR983312 ①

○ KR983411 ② ● ● ●

● KR983412 ② ● ● ●

○ KR983521 ③

● KR983522 ③

○ KR983321 ③

● KR983322 ③

○ KR983421 ④ ● ● ●

● KR983422 ④ ● ● ●

		CRI	CCT	Voltage	Wattage	Fixture lumen
①	LED	CRI80+	2700K	230V	8,6W	605lm
②	LED	CRI90	2700K	230V	25W	1590lm
③	LED	CRI80+	2700K	230V	17,2W	1211lm
④	LED	CRI90	2700K	230V	50W	3180lm

**REMARKS**  
Gear included.  
IP40

# kreon side in-line

The kreon side in-line concept originated from the need to provide ambient and placement lighting from within vertical surfaces. The faceted reflectors which are incorporated into the light ensure a uniform asymmetrical beam without sharp edges or hotspots and provide a wash of light that, when mounted downward, can provide orientation through spaces, or, when mounted upward, produce a ceiling glow that effectively increases ambient levels within an interior.



A soft yet striking light beam and the steep bevel of the finishing louvre draws attention to the straight vertical back surface which can be finished in various materials according to the designer's preference. kreon side in-line, available in widths of 25, 40 and 80 mm can be merged perfectly into the architecture and combined with other kreon luminaires.



side in-line 25x100, white, white backplate



side in-line 25x100, white, alu bronze backplate

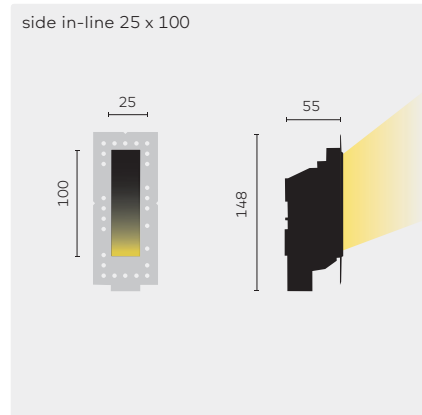


side in-line 25x100, black, alu grey backplate



side in-line 25x100, black, alu red backplate

# kreon side in-line 25



	<b>side in-line 25 x 100</b> ⊙ LxW 124x51 D 58 Gear: excl., IP20	Colour louvre	KR-code	Light sources	9027 2700K, CRI90+	9030 3000K, CRI90+	P1 Painted white backplate	P2 Painted black backplate	A2 Alu black backplate	A3 Alu grey backplate	A4 Alu bronze backplate	A5 Copper backplate	A6 Alu red backplate	Required accessories	Optional accessories
		○	KR932121	①	●	●	●	●	●	●	●	●	●	■	■
		●	KR932122	①	●	●	●	●	●	●	●	●	●	■	■

## Required accessories

Plasterkit

KR775120	Plasterkit for side in-line 25 x 100
KR775120-10	10 pieces plasterkit for side in-line 25 x 100
KR775123	Concrete plate for side in-line 25 x 100
KR775124	Concrete installation box for side in-line 25 x 100

## Optional accessories

Removal tool

KR775002	Removal tool for side in-line 25 ①
----------	------------------------------------

Driver

KR772820	LED driver, 500mA, ON/OFF, 11W ②
KR772822	LED driver, 500mA, 1-10V, 20W
KR772823	LED driver, 500mA, DALI, 10W ②

	CRI	CCT	Voltage	Wattage	Drive current	Fixture lumen
① LED	CRI90+	2700K/3000K	5,5 Vdc	2,75W	500mA	158lm

## REMARKS

- ① Removal tools serve to remove the luminaire after installation. One tool per project is recommended.
- ② Driver fits through the plasterkit of kreon side in-line 25x100.
- ③ At least 3 fixtures per driver.

Thickness boardmaterial:  
9-12,5mm  
Cut-out dimensions for hollow wall. For other applications, see installation manual.

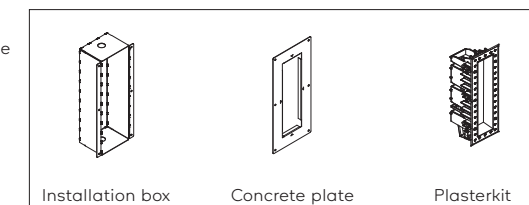
## Installation possibilities

Required for installation in hollow wall: plasterkit

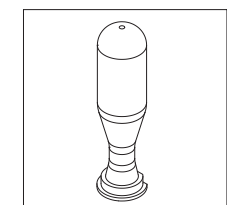
Required for installation in stone wall: plasterkit and concrete plate

Required for installation in concrete wall: plasterkit, concrete plate and installation box

## Installation possibilities



## Removal tool

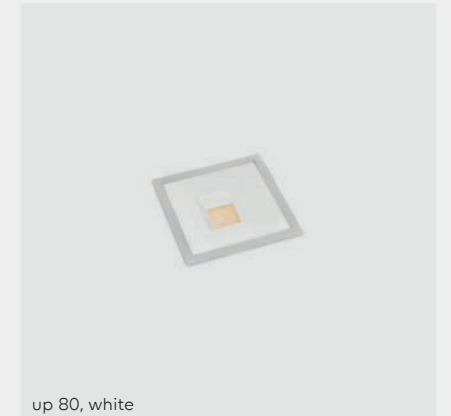
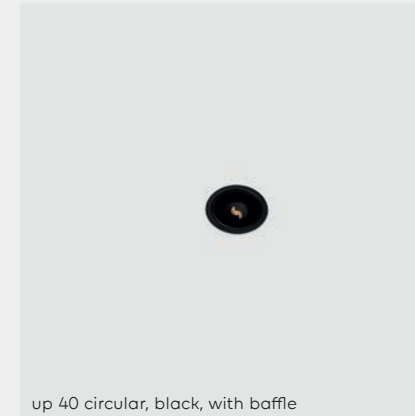


# kreon up

kreon up is a range of IP67 rated luminaires characterised by its minimal appearance and optical functionality. The range is offered in three sizes in square or circular, is finished with black or white backed toughened glass with a satin stainless steel trim. LED modules are deep-set within the luminaires and are controlled by a choice of anti-glare louvres for precise uplighting; brightness limiting diffuser for ambient or orientation lighting; wallwash optic for vertical luminance. kreon up 40 is also available as a surface mounted fixed downlight.

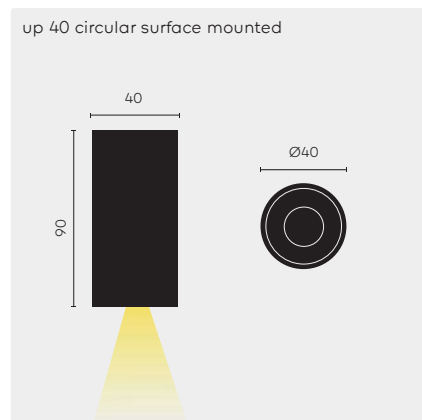
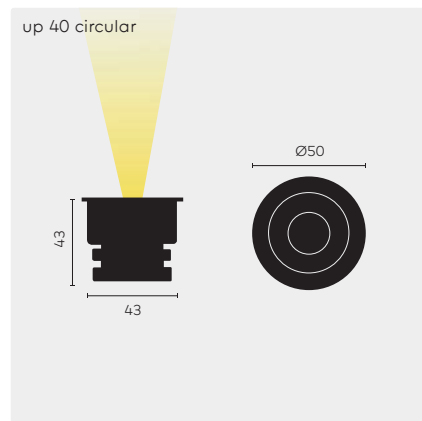
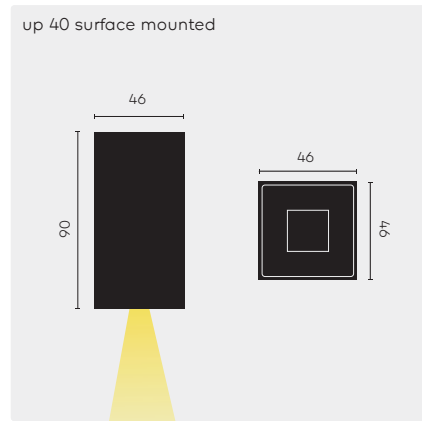
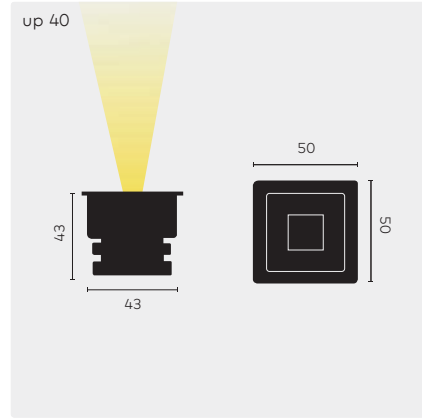


kreon up benefits from a stainless steel trim that provides a seamless juncture to minimise integration. The units are sealed to IP67 and have a aluminium and plastic housing to provide protection from the harshest environments. The maritime versions are specially pre-treated for maximum protection against corrosion in salty environments.





# kreon up 40



**up 40**  
⊙ LxW 45x45 D 60 ①

**up 40 surface mounted**

**up 40 circular**  
⊙ ∅ 45 D 60

**up 40 circular surface mounted**

■ **Optional accessories**

Driver ②

<b>KR772630</b>	LED driver, 700mA, ON/OFF, 30W (IP68)
<b>KR772752</b>	LED driver, 700mA, 1-10V, 12W (IP67) ③
<b>KR772853</b>	LED driver, 700mA, DALI, 30W (IP68)

	CRI	CCT	Wattage	Drive current	Fixture lumen
① LED	CRI90+	2700K/3000K	2W	700mA	159lm

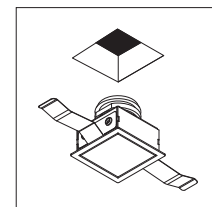
**REMARKS**

- ① Build-in dimensions of fixture with XC-option: LxW = 45x47
- ② Must be placed on remote.
- ③ Driver can be used for at least 4 fixtures.

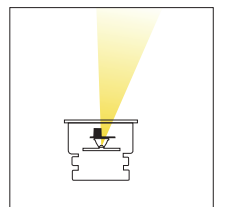
Thickness boardmaterial:  
9-18mm  
Gear excluded.  
⊙ IP67 - IK06

Colour	KR-code	Light sources	9027 2700K, CRI90	9030 2700K, CRI90	SP Spot	FL Flood	SB Spot with baffle	FB Flood with baffle	XC (optional) For recessed wall or ceiling installation	Optional accessories
○	<b>KR952111</b>	①	●	●	●	●	●	●	●	■
●	<b>KR952112</b>	①	●	●	●	●	●	●	●	■
○	<b>KR952011</b>	①	●	●	●	●	●	●		■
●	<b>KR952012</b>	①	●	●	●	●	●	●		■
○	<b>KR952611</b>	①	●	●	●	●	●	●	●	■
●	<b>KR952612</b>	①	●	●	●	●	●	●	●	■
○	<b>KR952911</b>	①	●	●	●	●	●	●		■
●	<b>KR952912</b>	①	●	●	●	●	●	●		■

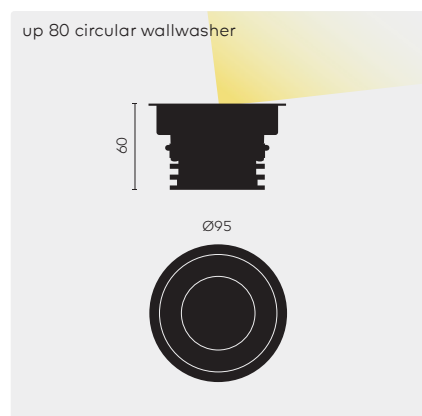
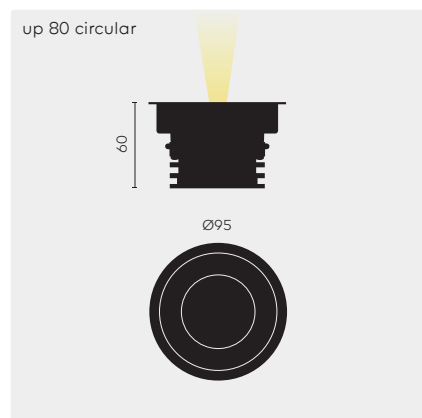
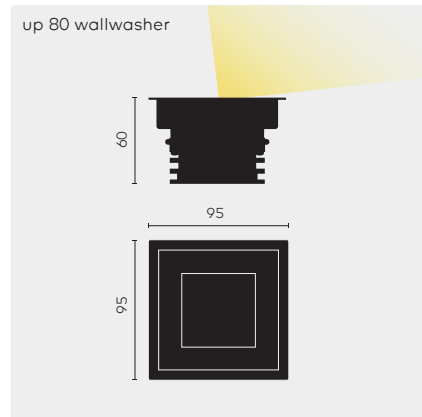
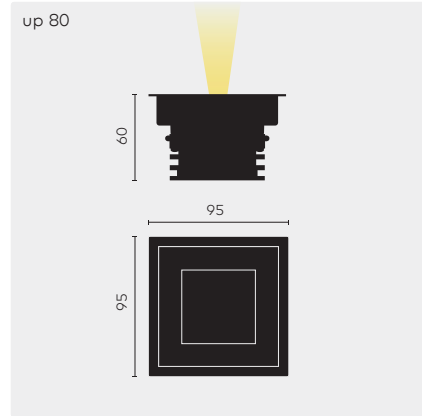
XC




Baffle option



# kreon up 80



 <b>up 80</b> ⊙ LxW 86x86 D 84	Colour	KR-code	Light sources	9027 2700K, CRI90	9030 3000K, CRI90	SP spot (21°)	FL flood (29°)	WFL wide flood (38°)	DF diffused	WW wallwasher	XC (optional) For recessed wall or ceiling installation	Optional accessories
 <b>up 80 circular</b> ⊙ Ø 86 D 84	○	KR952131	①	●	●	●	●	●	●	●	●	■
	●	KR952132	①	●	●	●	●	●	●	●	●	■
	○	KR952631	①	●	●	●	●	●	●	●	●	■
	●	KR952632	①	●	●	●	●	●	●	●	●	■

### Optional accessories

Matchbox	KR752303	Matchbox up 80
	KR752803	Matchbox up 80 circular
Driver ①	KR772830	LED driver, 700 mA, ON/OFF, 35W (IP68)
	KR772752	LED driver, 700 mA, 1-10V, 12W (IP67)
	KR772753	LED driver, 700 mA, DALI, 35W (IP68)
Removal tool	KR752110	suction cup

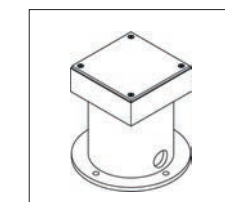
		CRI	CCT	Wattage	Drive current	Fixture lumen	
①	LED	SP	CRI90+	2700K/3000K	8,4W	700mA	346lm
		FL	CRI90+	2700K/3000K	8,4W	700mA	341lm
		WFL	CRI90+	2700K/3000K	8,4W	700mA	293lm
		DF	CRI90+	2700K/3000K	8,4W	700mA	111lm
		WW	CRI90+	2700K/3000K	8,4W	700mA	263lm

### REMARKS

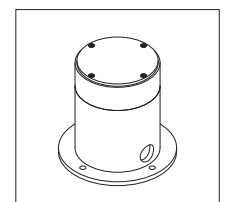
① Must be placed on remote.

Thickness boardmaterial:  
6-35mm  
Gear excluded.  
◆ IP67 - IK09

Matchbox up 80



Matchbox up 80 circular



# kreon up in-line

kreon up in-line is a range of floor recessed uplighters characterised by its minimal appearance and optical functionality. The range, offered in two sizes in both square and circular forms, is finished with black or white backed toughened glass. LED modules are deep-set within the luminaires and are controlled by a choice of anti-glare louvres for precise uplighting, brightness limiting diffusers for ambient or orientation lighting and wallwash optics for vertical luminance.



kreon up in-line benefits from a stainless steel trim that provides a seamless juncture to minimise integration. The units are sealed to IP67 and have a aluminium and plastic housing to provide protection from the harshest environments. The maritime versions are specially pre-treated for maximum protection against corrosion in salty environments.

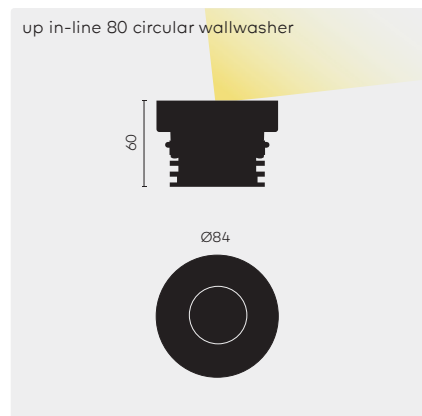
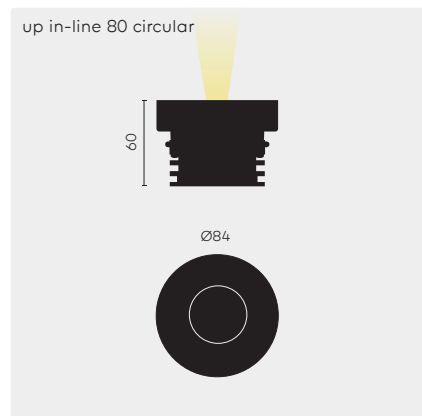
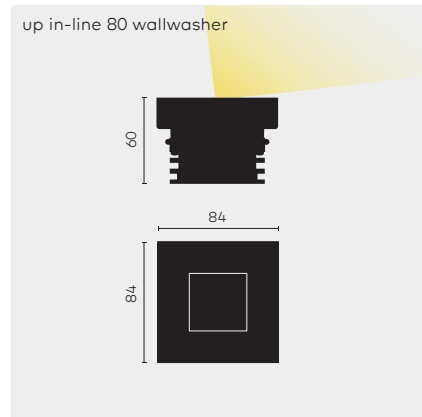
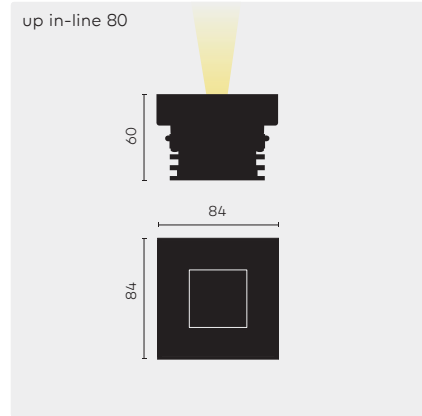



up in-line 80 wallwasher, black



up in-line 80 circular, white

# kreon up in-line 80



	<b>up in-line 80</b> ⊗ LxW 85x85 D 84	Colour	KR-code	Light sources	9027 2700K, CRI90	9030 3000K, CRI90	SP spot (21°)	FL flood (29°)	WFL wide flood (38°)	DF diffused	WW wallwasher	Optional accessories
		○	KR952331	①	●	●	●	●	●	●	●	■
		●	KR952332	①	●	●	●	●	●	●	●	■
	<b>up in-line 80 circular</b> ⊗ Ø 856 D 84	Colour	KR-code	Light sources	9027 2700K, CRI90	9030 3000K, CRI90	SP spot (21°)	FL flood (29°)	WFL wide flood (38°)	DF diffused	WW wallwasher	Optional accessories
		○	KR952831	①	●	●	●	●	●	●	●	■
		●	KR952832	①	●	●	●	●	●	●	●	■

## Optional accessories

Matchbox	KR752303	Matchbox for up in-line 80
	KR752803	Matchbox for up in-line 80 circular
Driver ①	KR772830	LED driver, 700 mA, ON/OFF, 35W (IP68)
	KR772752	LED driver, 700 mA, 1-10V, 12W (IP67)
	KR772753	LED driver, 700 mA, DALI, 35W (IP68)
Removal tool	KR752110	suction cup

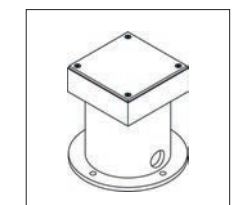
		CRI	CCT	Wattage	Drive current	Fixture lumen	
①	LED	SP	CRI90+	2700K/3000K	8,4W	700mA	346lm
		FL	CRI90+	2700K/3000K	8,4W	700mA	341lm
		WFL	CRI90+	2700K/3000K	8,4W	700mA	293lm
		DF	CRI90+	2700K/3000K	8,4W	700mA	111lm
		WW	CRI90+	2700K/3000K	4W	700mA	263lm

## REMARKS

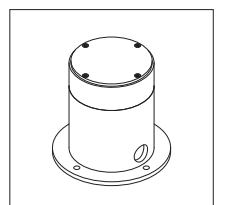
① Must be placed on remote

Thickness boardmaterial:  
6-35mm  
Gear excluded.  
⊗ IP67 - IK09

Matchbox up in-line 80



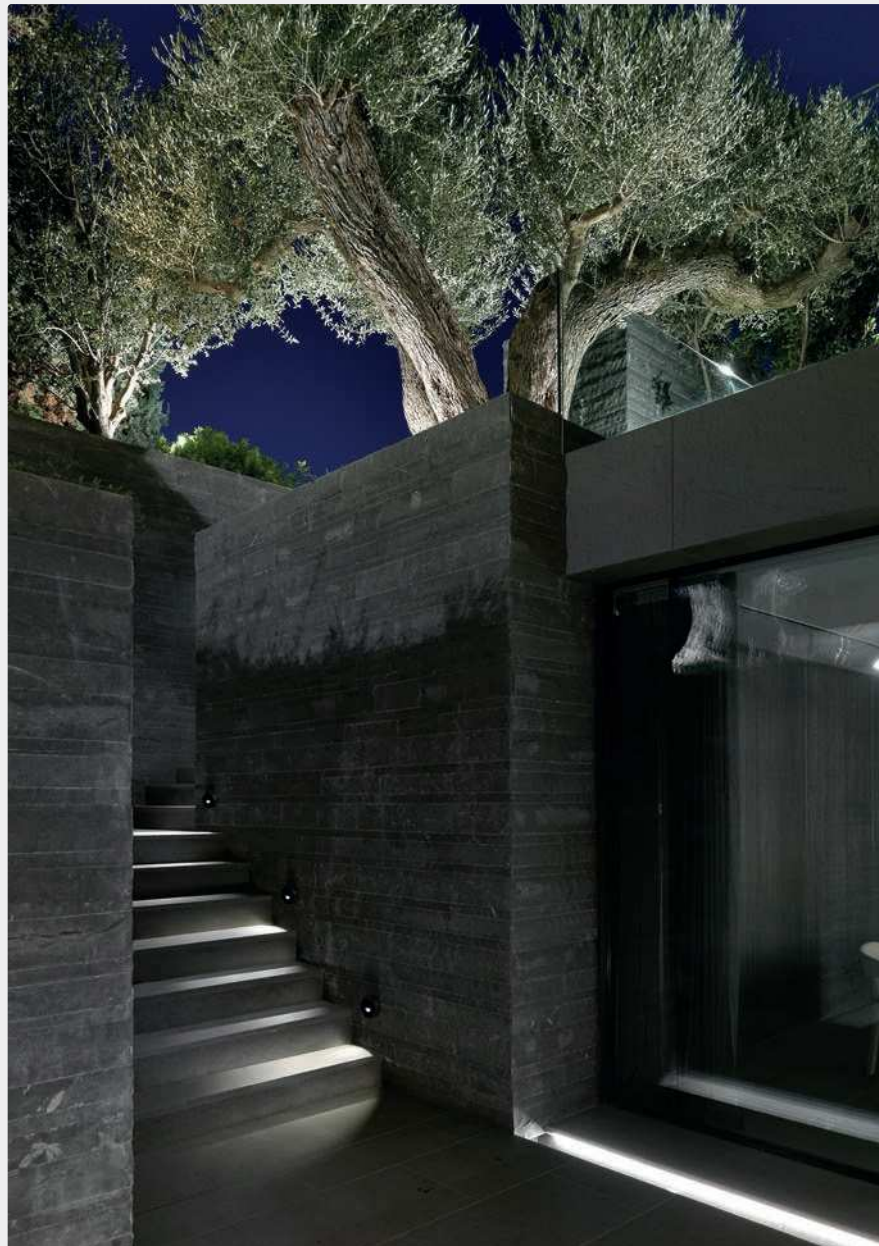
Matchbox up in-line 80 circular

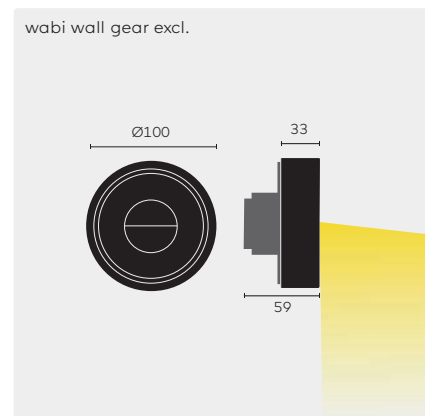
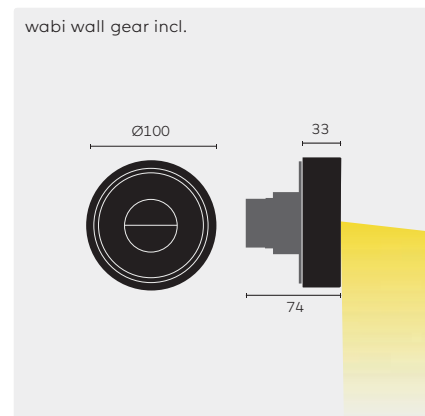
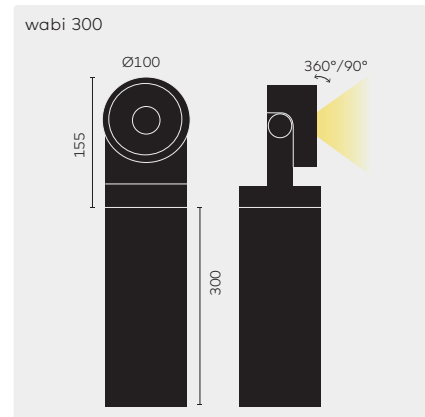
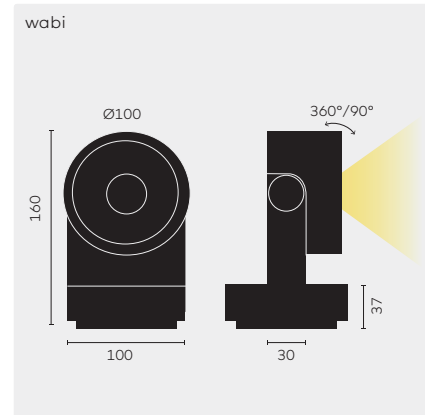


# kreon wabi

kreon wabi is an IP65 external spotlight. This compact luminaire is available with an LED light source, a 30° beam angle and a colour temperature of either 2700K or 3000K. kreon wabi comes as a single based or bollard mounted spotlight or as a fixed wall light.

The spotlight luminaire head can be rotated 360° and tilted up to 90°. The inclination of the luminaire is lockable and can easily be set by using the marks indicated on the fixture. The fixed wall has a asymmetrical beam suitable for guiding illumination.





	Colour	KR-code	Light sources	8027 2700K, CR180+	8030 3000K, CR180+	9027 2700K, CR190+	9030 3000K, CR190+	FL Flood (30°)	SW Switchable ON/OFF	Optional accessories
<b>wabi</b> Gear: incl.	●	<a href="#">KR943052</a>	①	●	●			●		■
<b>wabi</b> Gear: excl.	●	<a href="#">KR943252</a>	②	●	●			●		■
<b>wabi 300</b> Gear: incl.	●	<a href="#">KR943552</a>	③	●	●			●	●	■
<b>wabi 750</b> Gear: incl.	●	<a href="#">KR943752</a>	③	●	●			●	●	■
<b>wabi wall</b> Gear: incl.	●	<a href="#">KR943352</a>	④			●	●	●		
<b>wabi wall</b> Gear: excl.	●	<a href="#">KR943152</a>	⑤			●	●			■

■ Optional accessories

Glare preventor	<a href="#">KR743052</a>	Glare preventor (straight black H50)
Optional installation ① (only for wabi)	<a href="#">KR743750</a>	Concrete anchor
	<a href="#">KR743850</a>	Ground pin
	<a href="#">KR743950</a>	Spacer ②
Driver	<a href="#">KR772630</a>	LED driver, 700mA, ON/OFF, 30W (IP68)
	<a href="#">KR772752</a>	LED driver, 700mA, 1-10V, 12W (IP67)
	<a href="#">KR772853</a>	LED driver, 700mA, DALI, 30W (IP68)
	<a href="#">KR772840</a>	LED driver, 1050mA, ON/OFF, 52W (IP68)
	<a href="#">KR772862</a>	LED driver, 1050mA, 1-10V, 42W (IP67) ③
	<a href="#">KR772863</a>	LED driver, 1050mA, DALI, 70W (IP68)
Wall box for wabi wall	<a href="#">KR727611</a>	Concrete wall box
	<a href="#">KR727711</a>	Hollow wall box
	<a href="#">KR727811</a>	Brick wall box

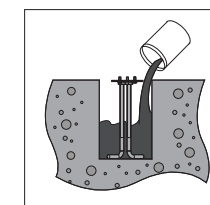
	CRI	CCT	Voltage	Wattage	Drive current	Fixture lumen
① LED	CR180+	2700K/3000K	230V	4,2W		387lm
② LED	CR180+	2700K/3000K		8,2W	700mA	645lm
				12W	1050mA	783lm
③ LED	CR180+	2700K/3000K	230V	8,2W		645lm
④ LED	CR190+	2700K/3000K	230V	4W		240lm
⑤ LED	CR190+	2700K/3000K		4W	700mA	240lm

REMARKS

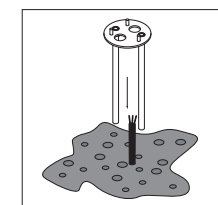
- ① Luminaire is supplied with parts for installation on concrete.
- ② For surface mounted cables.
- ③ Driver can be used for max. 3 fixtures.

Rotation is lockable.  
Check installation manual.  
IP65

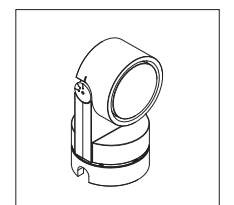
Concrete anchor



Ground pin



Spacer



# kreon offices

## **kreon HQ**

Industrieweg Noord 1152  
3660 Oudsbergen  
Belgium  
T +32 89 81 97 80  
belgium@kreon.com

## **kreon Austria**

Kärntner Ring 4  
1010 Vienna  
Austria  
T +43 1 715 44 25  
austria@kreon.com

## **kreon China**

Rm 208, Building 5, n°. 33  
Lane 672, Changle Road  
JingAn District, Shanghai  
P.R. China  
T +86 136 6161 9560  
china@kreon.com

## **kreon France**

5, rue d'Aboukir  
75002 Paris  
France  
T +33 1 44 50 53 54  
france@kreon.com

## **kreon Germany**

Brühler Straße 11-13  
50968 Cologne  
Germany  
Tel +49 221 937 22 0  
germany@kreon.com

## **kreon Italy**

Via V. Forcella 5  
20144 Milano  
Italy  
T +39 02 89 42 08 46  
italy@kreon.com

## **kreon Middle East**

Dubai Airport Free Zone Area  
(DAFZA)  
West Wing 6 (W6)  
Office 6 WA 420  
P.O. Box 293845  
Dubai  
United Arab Emirates  
T +971 4 6091 355  
middle.east@kreon.com

## **kreon inc.**

### **North America & Canada**

20 Murray Hill Parkway  
Suite 180  
East Rutherford, NJ 07073  
USA  
T +1 516 470 9522  
usa@kreon.com

## **kreon Poland**

T +48 504 788 355  
Poland  
poland@kreon.com

## **kreon Russia**

T +79257081901  
Russia  
russia@kreon.com

## **kreon South East Asia**

63a Club Street  
Singapore 069 437  
Singapore  
T +65 62 22 33 93  
singapore@kreon.com

## **kreon Spain**

Ángel Guimera 7-9 local C  
Barcelona 08017  
Spain  
T +34 600 462 551  
spain@kreon.com

## **kreon Switzerland**

Neufeldweg 6  
5103 Möriken  
Switzerland  
T +41 61 316 74 01  
switzerland@kreon.com

## **kreon The Netherlands**

Danzigerbocht 39a  
1013 AM Amsterdam  
The Netherlands  
T +31 (0)2 02 153 333  
the.netherlands@kreon.com

## **kreon Turkey**

Sehit Murat Demirli Cad.  
Resadiye Yolu 76  
Alemdag-Ümraniye 34794  
Istanbul  
Turkey  
T +90 216 430 86 00

## **kreon UK**

67 Maltings Place  
169 Tower Bridge Road  
London SE1 3LJ  
United Kingdom  
T +44 (0)20 7740 2112